



US00D943660S

(12) **United States Design Patent**
Kuramoto

(10) **Patent No.:** **US D943,660 S**
(45) **Date of Patent:** **** Feb. 15, 2022**

- (54) **DIGITAL AUDIO MIXER**
- (71) Applicant: **AlphaTheta Corporation**, Yokohama (JP)
- (72) Inventor: **Takahiro Kuramoto**, Yokohama (JP)
- (73) Assignee: **ALPHATHETA CORPORATION**, Yokohama (JP)
- (**) Term: **15 Years**
- (21) Appl. No.: **29/734,761**
- (22) Filed: **May 15, 2020**

D823,377 S *	7/2018	Kitamura	D17/99
D843,988 S *	3/2019	Belingeri	D14/238.1
D881,268 S *	4/2020	Kuramoto	D17/99
D928,867 S *	8/2021	Kouthoofd	D17/99

(30) **Foreign Application Priority Data**

Nov. 27, 2019 (JP) 2019-026230

(51) **LOC (13) Cl.** **17-99**

(52) **U.S. Cl.**
USPC **D17/99; D14/217**

(58) **Field of Classification Search**
USPC D17/1, 2, 7, 99; D21/405, 409;
D14/203.1, 217

CPC ... G10C 1/00; G10C 1/02; G10C 1/04; G10C
3/00; G10C 3/12; G10C 5/00; G10C 5/10

See application file for complete search history.

(56) **References Cited**

U.S. PATENT DOCUMENTS

D453,327 S *	2/2002	Takita	D14/217
D491,554 S *	6/2004	Amiya	D14/217
D555,637 S *	11/2007	Ishizaki	D14/217
D555,640 S *	11/2007	Amiya	D14/217
D584,282 S *	1/2009	Ishizaki	D14/188
D593,544 S *	6/2009	Iijima	D14/217
D767,537 S *	9/2016	Matsubayashi	D14/217
D795,840 S *	8/2017	Kuramoto	D14/217

OTHER PUBLICATIONS

Japanese Notice of Allowance dated Mar. 24, 2020, Application No. 2019-026230, 2 pages.

Pioneer Corporation, "New release of 4ch full digital DJ mixer for home DJ [DJM-750-K/SJ]", Apr. 30, 2013, Publication Material No. HJ2500775300, <http://pioneer.jp/press/2013/0409-2.html>, 10 pages. Kabushikikaisha Denon, Currently D&M Holdings Inc., "DN-X1500S", Publication Material No. HJ1800456200, http://denon.jp/products2/photolibrary/dnx1500s_image.html, 14 pages.

* cited by examiner

Primary Examiner — R. Johnson

(74) *Attorney, Agent, or Firm* — Rankin, Hill & Clark LLP

(57) **CLAIM**

The ornamental design for a digital audio mixer, as shown and described.

DESCRIPTION

FIG. 1 is a top, right, front perspective view of a digital audio mixer showing my new design.

FIG. 2 is a bottom, left, rear perspective view thereof.

FIG. 3 is a front view thereof.

FIG. 4 is a rear view thereof.

FIG. 5 is a left-side view thereof.

FIG. 6 is a right-side view thereof.

FIG. 7 is a top view thereof; and,

FIG. 8 is bottom view thereof.

1 Claim, 8 Drawing Sheets

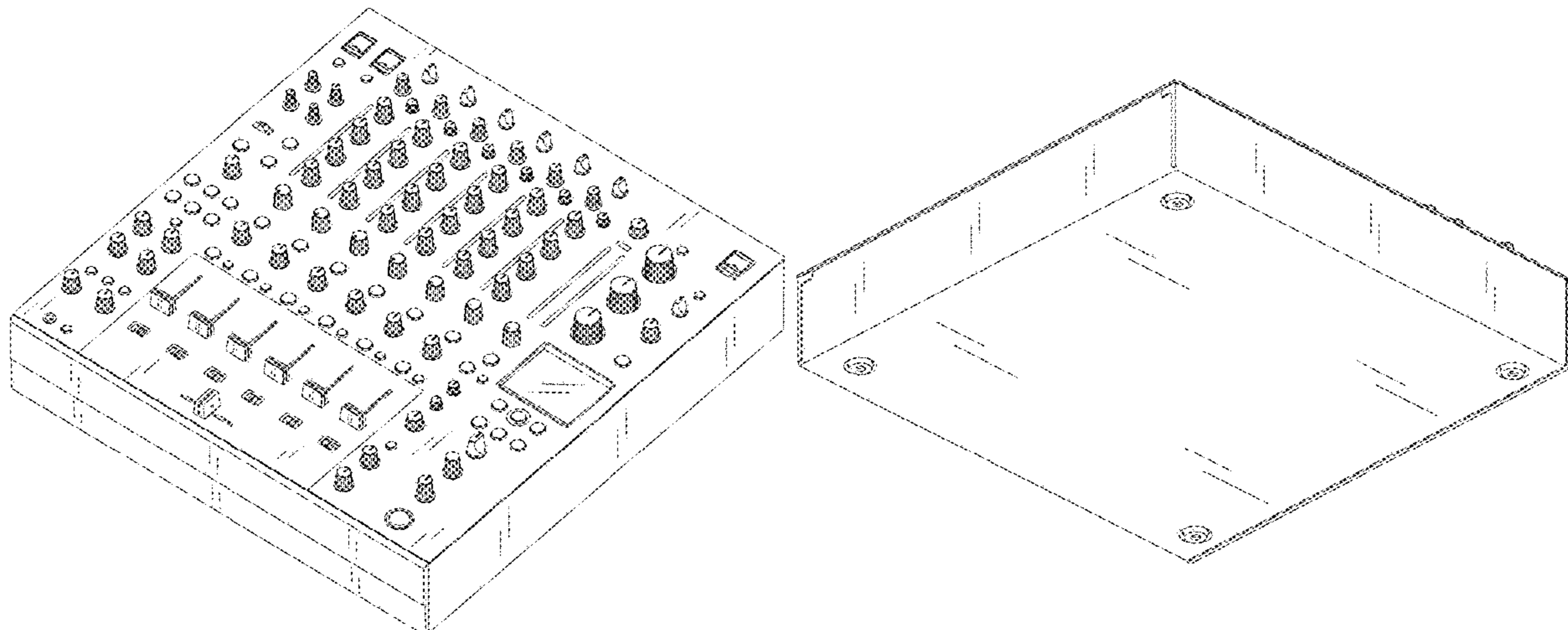


FIG. 1

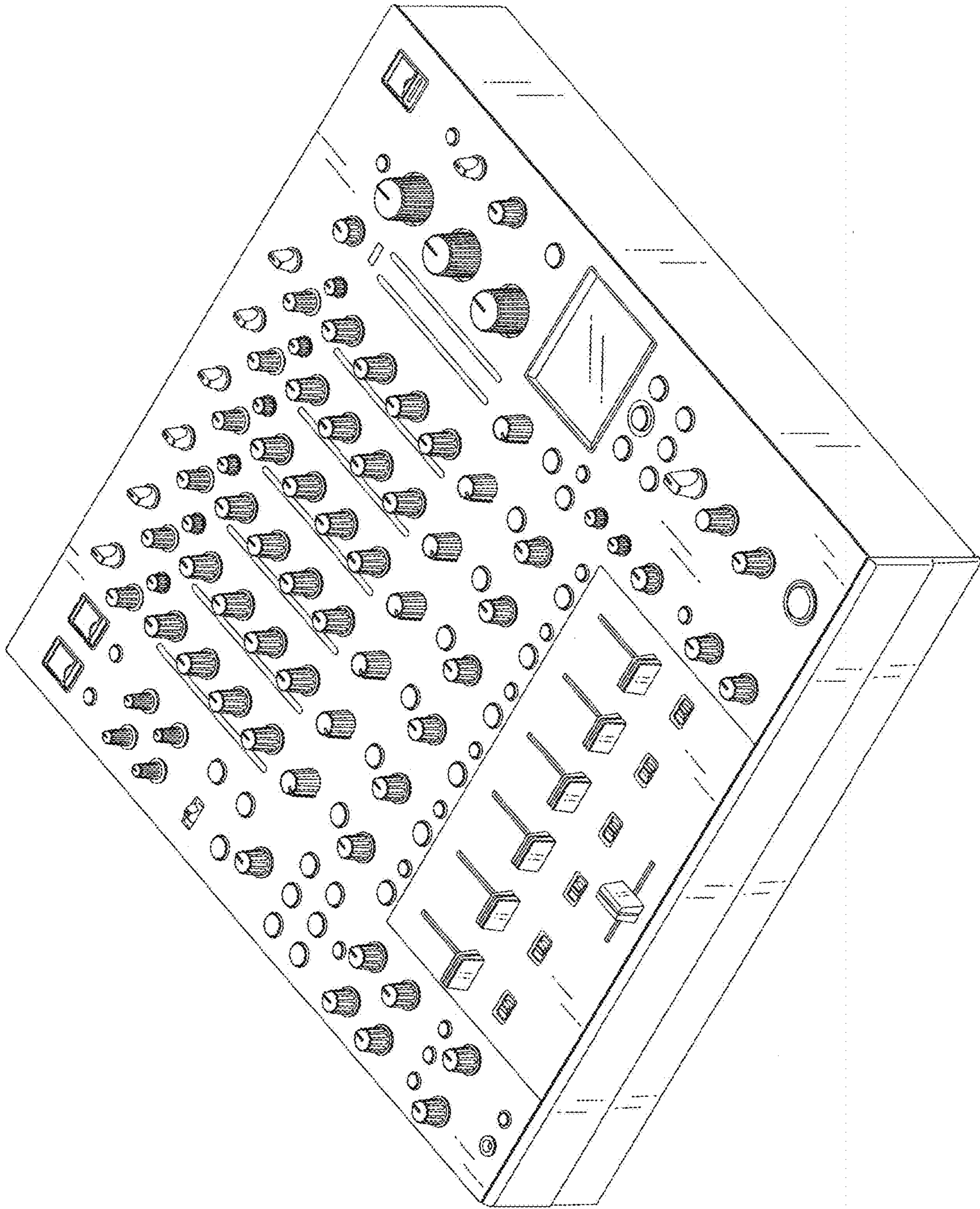


FIG. 2

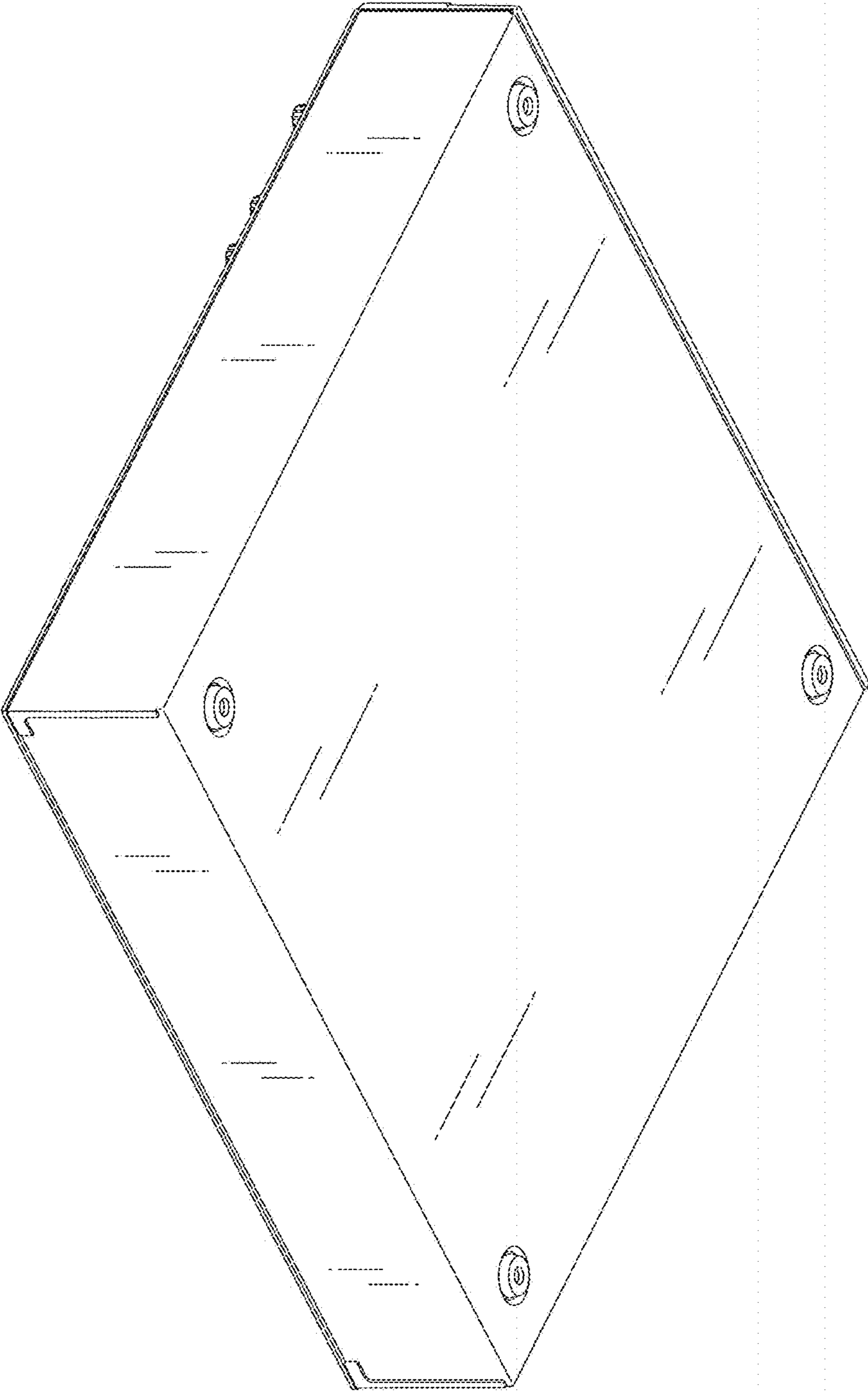


FIG. 3

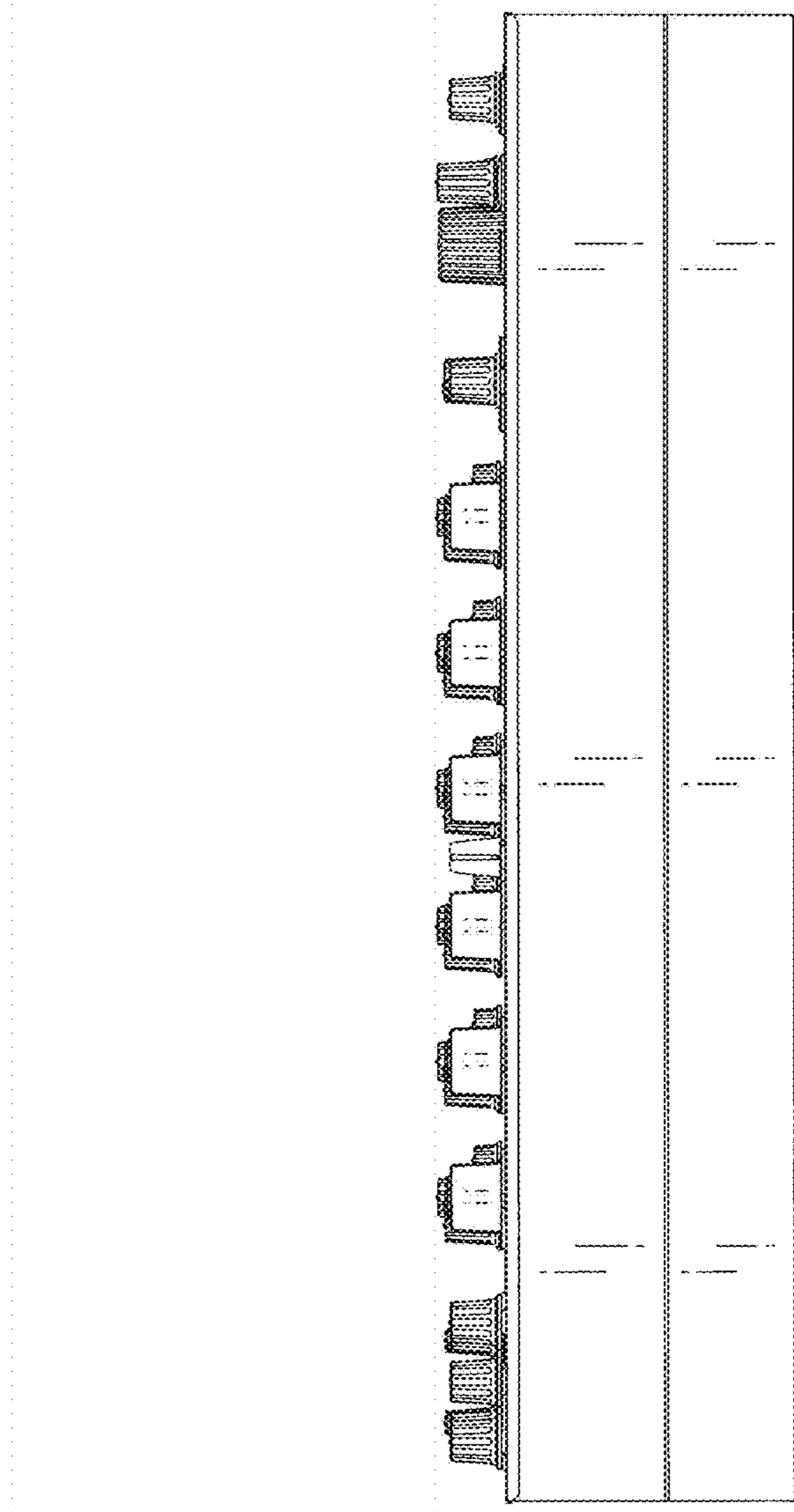


FIG. 4

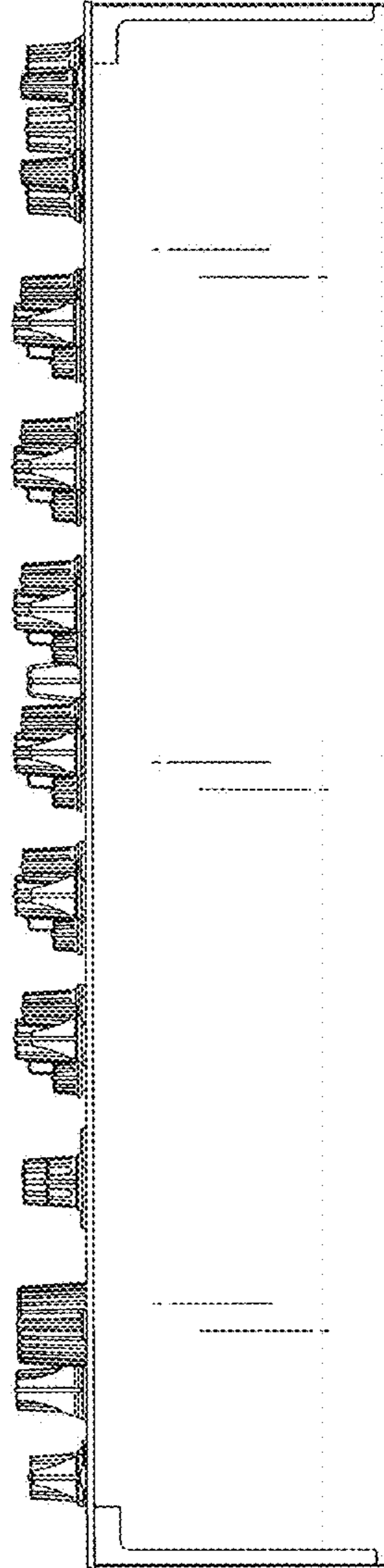


FIG. 5

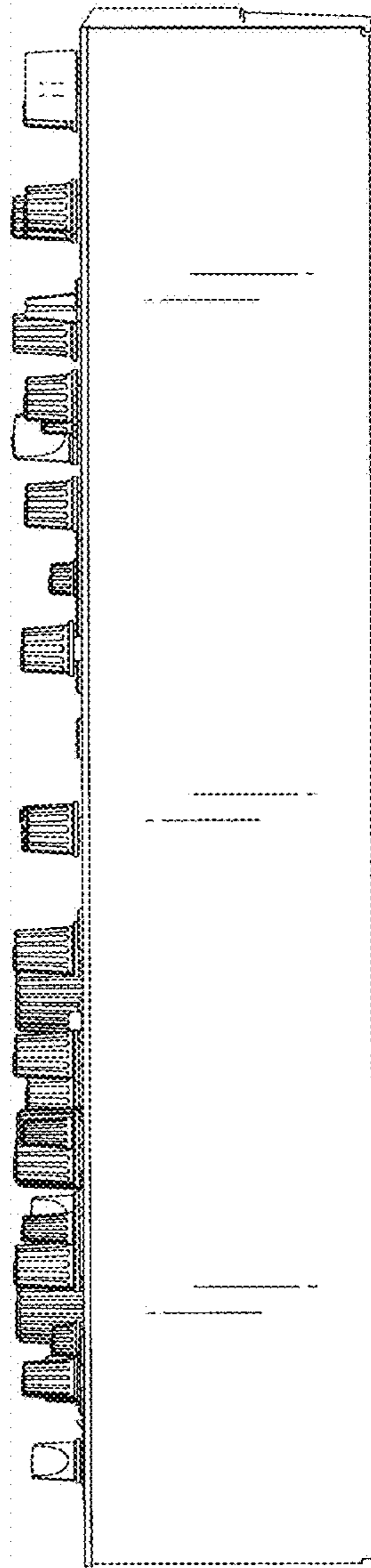


FIG. 6

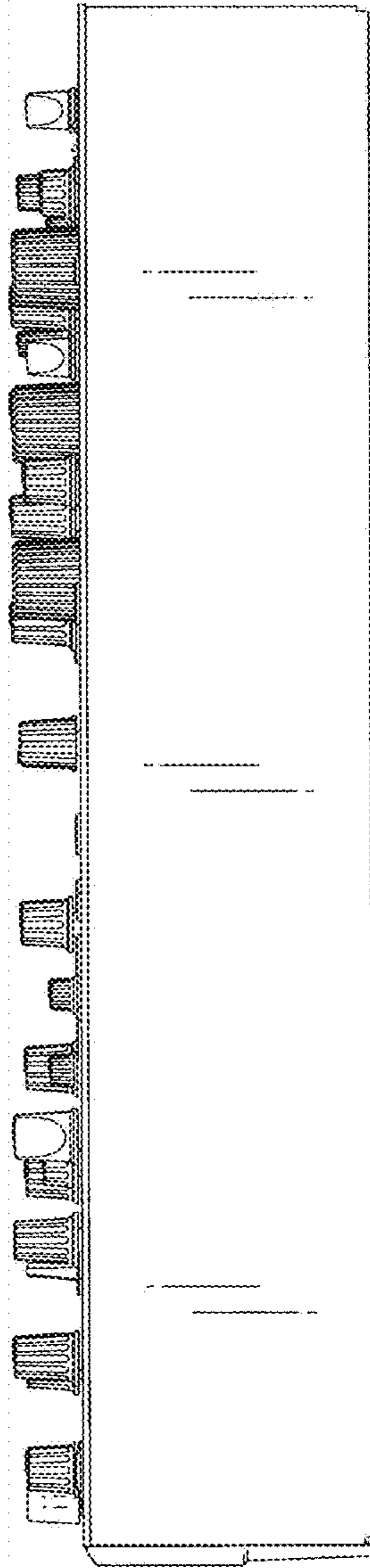


FIG. 7

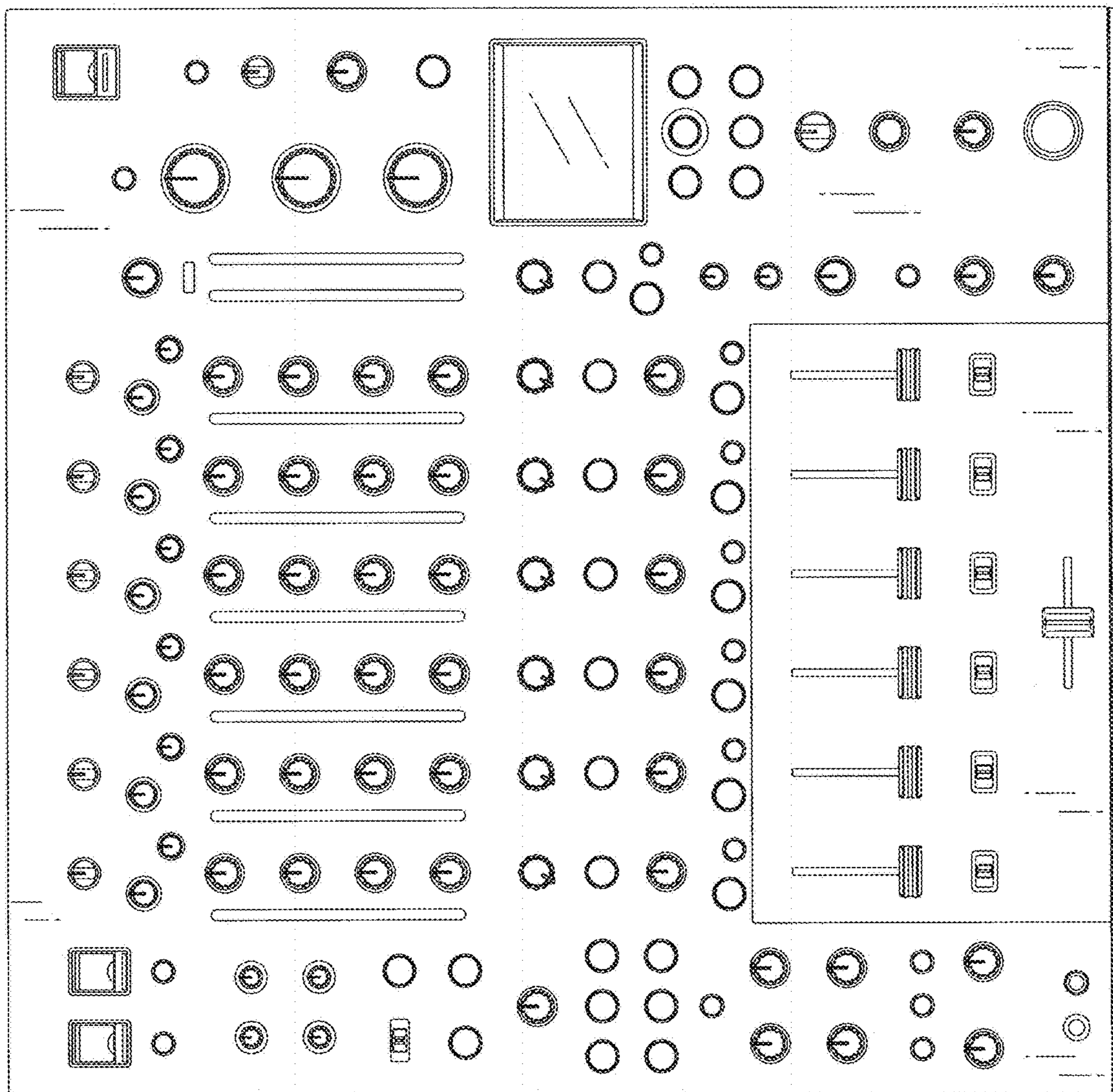


FIG. 8

