



US00D943658S

(12) **United States Design Patent** (10) **Patent No.:** **US D943,658 S**  
**Ke et al.** (45) **Date of Patent:** **\*\* Feb. 15, 2022**

(54) **PHOTOGRAPHIC FLASH TRIGGER**  
(71) Applicant: **SHENZHEN NEEWER TECHNOLOGY CO. LTD**, Shenzhen (CN)  
(72) Inventors: **Yan Ke**, Shenzhen (CN); **Jilin Liao**, Shenzhen (CN)  
(73) Assignee: **SHENZHEN NEEWER TECHNOLOGY CO. LTD**, Shenzhen (CN)

D494,993 S \* 8/2004 Uehara ..... D16/219  
D502,488 S \* 3/2005 Miyashita ..... D16/239  
D562,875 S \* 2/2008 Kitera ..... D16/239  
D577,053 S \* 9/2008 Watanabe ..... D16/239  
D617,273 S \* 6/2010 Sakai ..... D13/133  
D688,293 S 8/2013 Chen et al.  
D698,850 S 2/2014 Chen et al.  
D701,553 S \* 3/2014 Sanhui ..... D16/239  
D712,956 S 9/2014 Li  
D741,395 S \* 10/2015 Oh ..... D16/239

(Continued)

(\*\*) Term: **15 Years**  
(21) Appl. No.: **29/764,802**  
(22) Filed: **Jan. 4, 2021**  
(51) **LOC (13) Cl.** ..... **16-05**  
(52) **U.S. Cl.**  
USPC ..... **D16/237**  
(58) **Field of Classification Search**  
USPC ..... D16/208–209, 219, 221, 225, 229,  
D16/237–250; D8/354, 355, 363, 373;  
D14/224, 229, 238, 251, 253, 447, 451,  
D14/457  
CPC ..... A45F 5/00; A45F 5/10; A45F  
2200/0508–0533; F16M 11/06–10; F16M  
11/14; G02B 7/00–002; G02B 25/00;  
G03B 17/56; G03B 17/561–566; G03B  
21/10–116; H04N 5/2253–2254  
See application file for complete search history.

**OTHER PUBLICATIONS**

29764802\_OrbitForeignRefs. 21 pages. Design © Questel orbit.com. [Online PDF compilation of references] 15 pgs. Retrieved Dec. 21, 2021 from URL: <https://www.orbit.com/export/QPTUJ190/pdf2/293e2bf0-c563-4791-9f9a-b650a95b481f-165249.pdf>.\*

(Continued)

*Primary Examiner* — Vy N Koenig  
(74) *Attorney, Agent, or Firm* — Westbridge IP LLC

(57) **CLAIM**

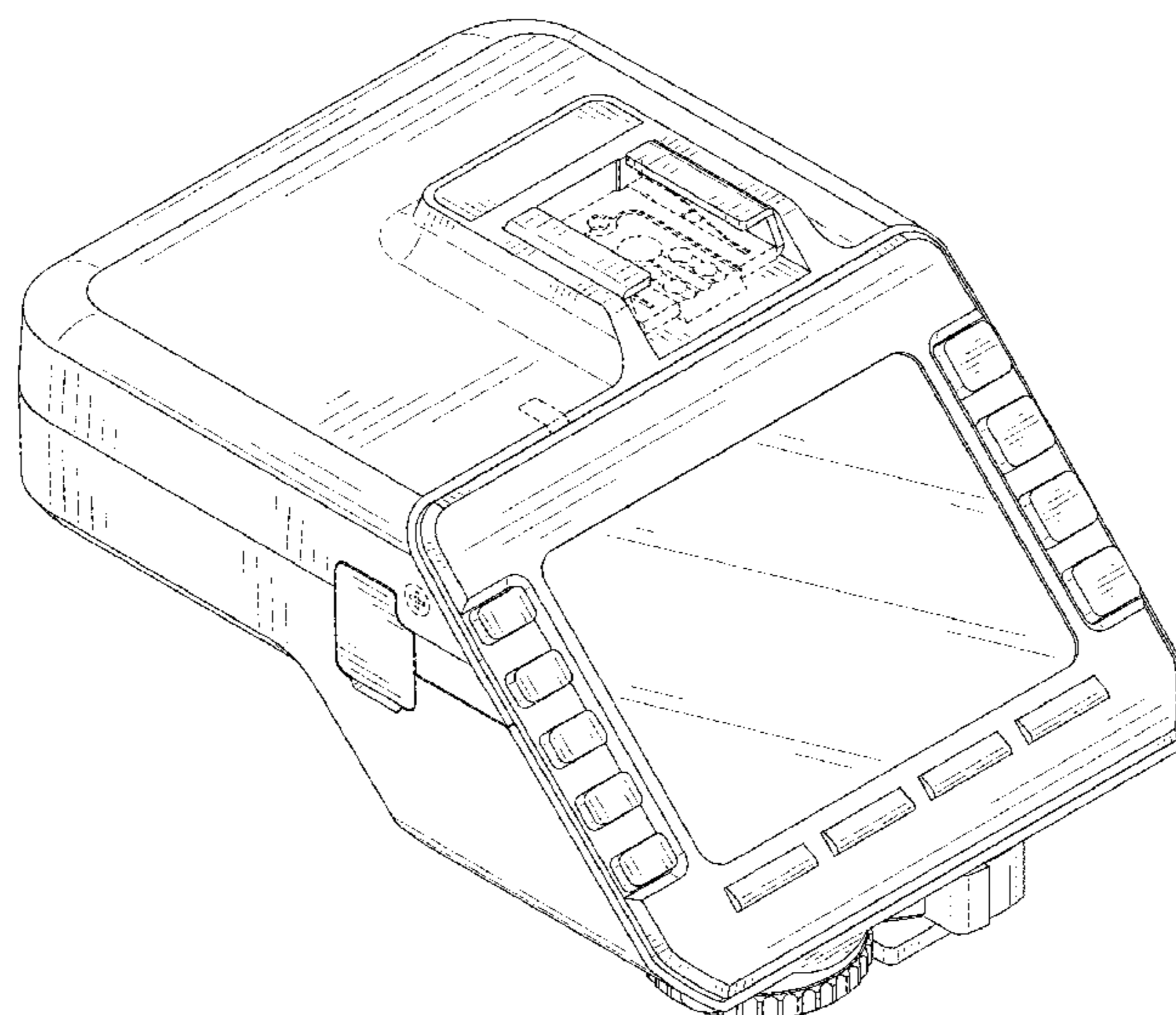
The ornamental design for a photographic flash trigger, as shown and described.

**DESCRIPTION**

FIG. 1 is a front perspective view of a photographic flash trigger showing our new design; FIG. 2 is a rear perspective view thereof; FIG. 3 is a front elevational view thereof; FIG. 4 is a rear elevational view thereof; FIG. 5 is a left side elevational view thereof; FIG. 6 is a right side elevational view thereof; FIG. 7 is a top plan view thereof; and, FIG. 8 is a bottom plan view thereof. The broken lines in the drawings illustrate the portions of the photographic flash trigger which form no part of the claimed design.

**1 Claim, 8 Drawing Sheets**

(56) **References Cited**  
U.S. PATENT DOCUMENTS  
D258,825 S \* 4/1981 Quinn ..... D16/239  
D259,493 S \* 6/1981 Quinn ..... D16/239  
D342,753 S \* 12/1993 Haga ..... D16/239  
D412,338 S 7/1999 Goto et al.  
D422,293 S \* 4/2000 Harata ..... D16/239  
D433,675 S 11/2000 Carranco et al.  
D453,351 S \* 2/2002 Kitera ..... D16/239



(56)

**References Cited**

U.S. PATENT DOCUMENTS

D742,449 S     11/2015 Li  
D819,115 S \*    5/2018 Nohara ..... D16/239  
D836,700 S \*    12/2018 Nohara ..... D16/219  
D848,519 S \*    5/2019 Tajima ..... D16/237

OTHER PUBLICATIONS

Neewer Q-C/N/S TTL Wireless Flash Trigger. [online] Retrieved Dec. 21, 2021 from URL: <https://neewer.com/products/neewer-q-c-n-s-ttl-wireless-flash-trigger-compatible-with-canon-nikon-sony-dslr-camera-10096665?variant=38045171712193>.\*

The best flash triggers for your camera: wireless control for off-camera flashguns. [online] Published Nov. 12, 2021. Retrieved from URL: <https://www.digitalcameraworld.com/buying-guides/the-best-wireless-off-camera-flash-triggers>.\*

Godox X2T-C TTL Wireless Flash Trigger for Canon . . . [online] First available on Amazon May 21, 2019. Retrieved from URL: <https://www.amazon.com/Godox-Bluetooth-Connection-Relocated-Control-Wheel/dp/B07S1THV79>.\*

Flashpoint R2 Pro 2.4GHz Transmitter for Sony (XPro-S). [online] Retrieved Dec. 21, 2021 from URL: <https://www.adorama.com/fprr2pros.html>.\*

\* cited by examiner

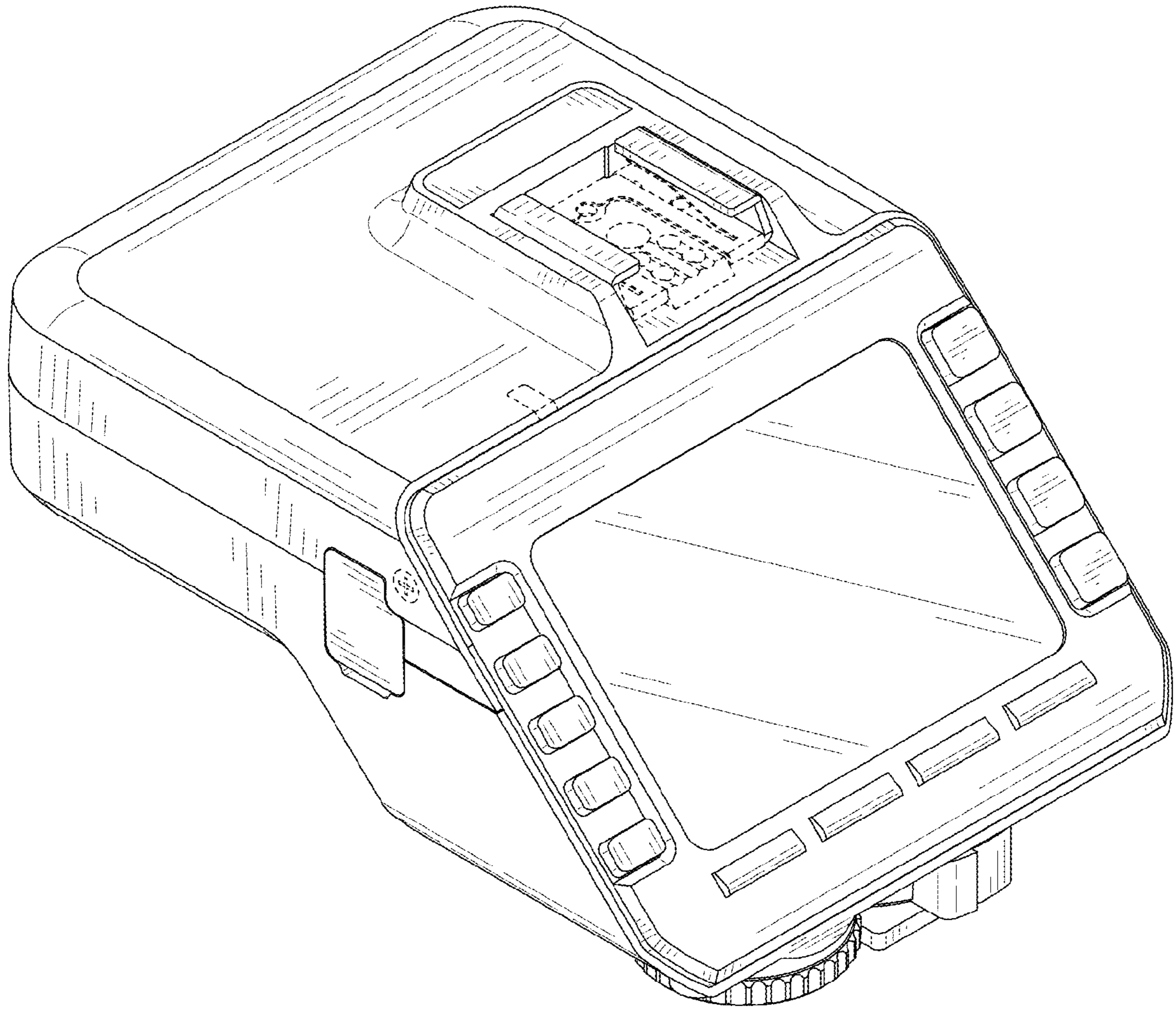


FIG. 1

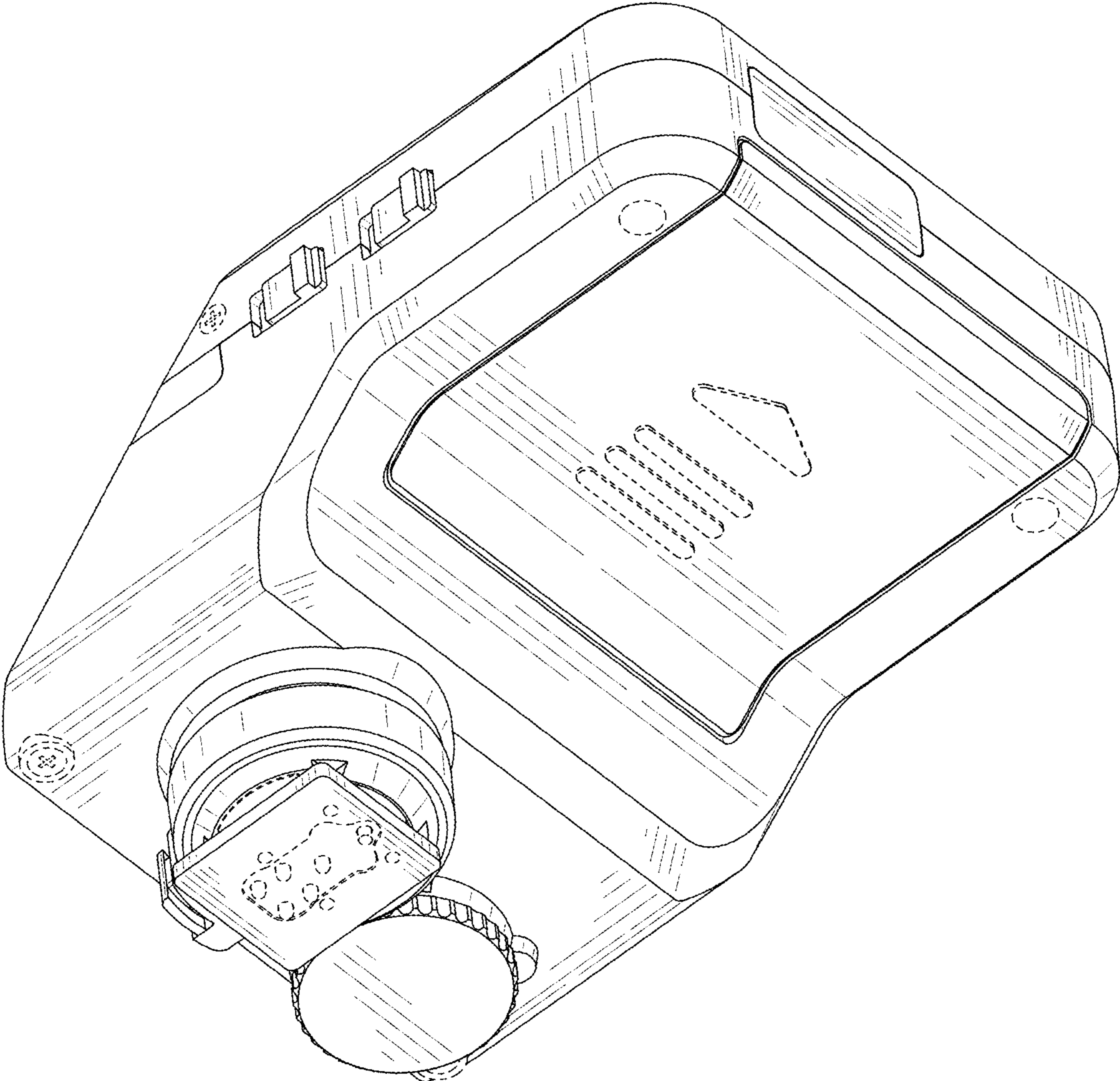


FIG. 2

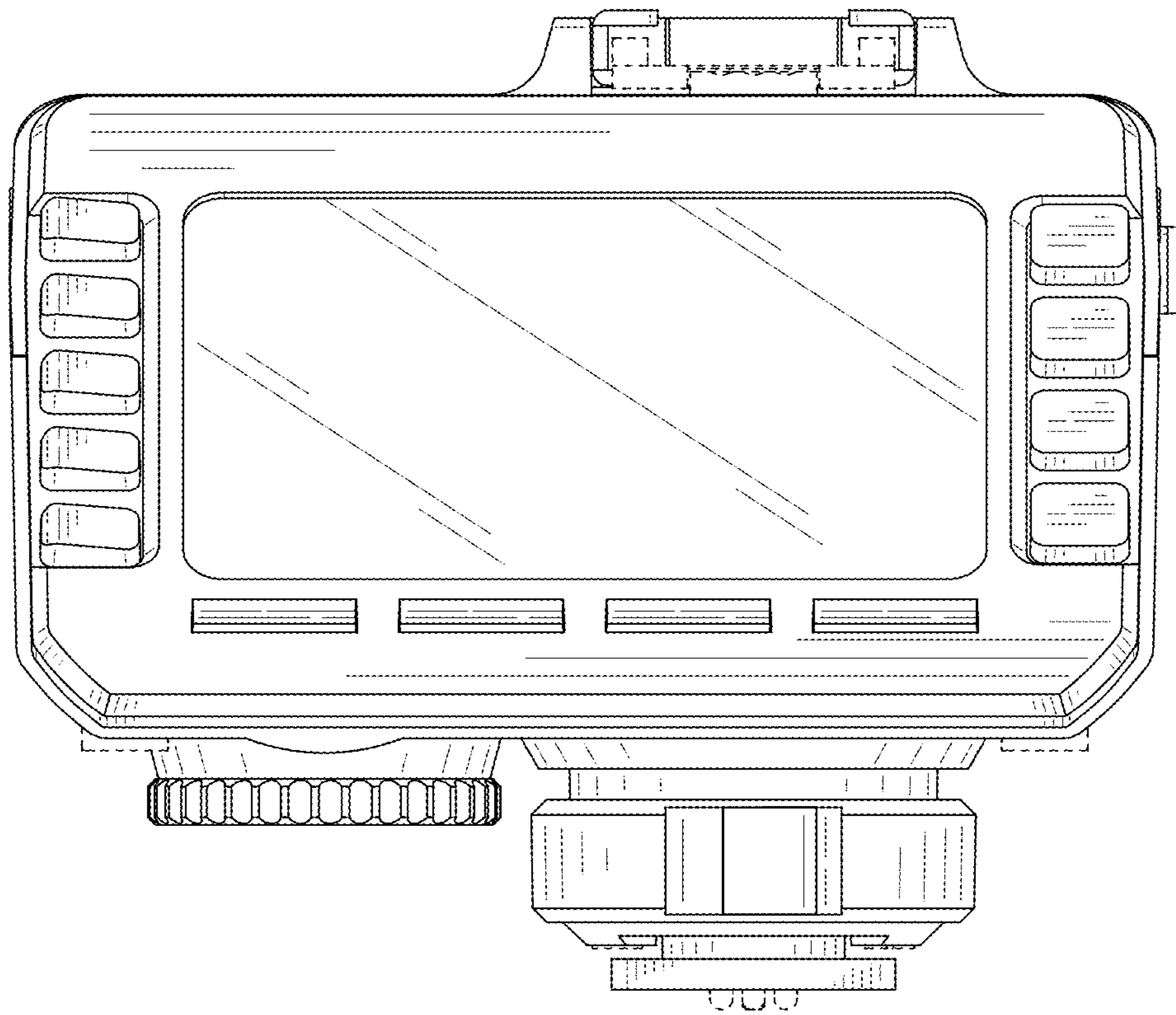


FIG. 3

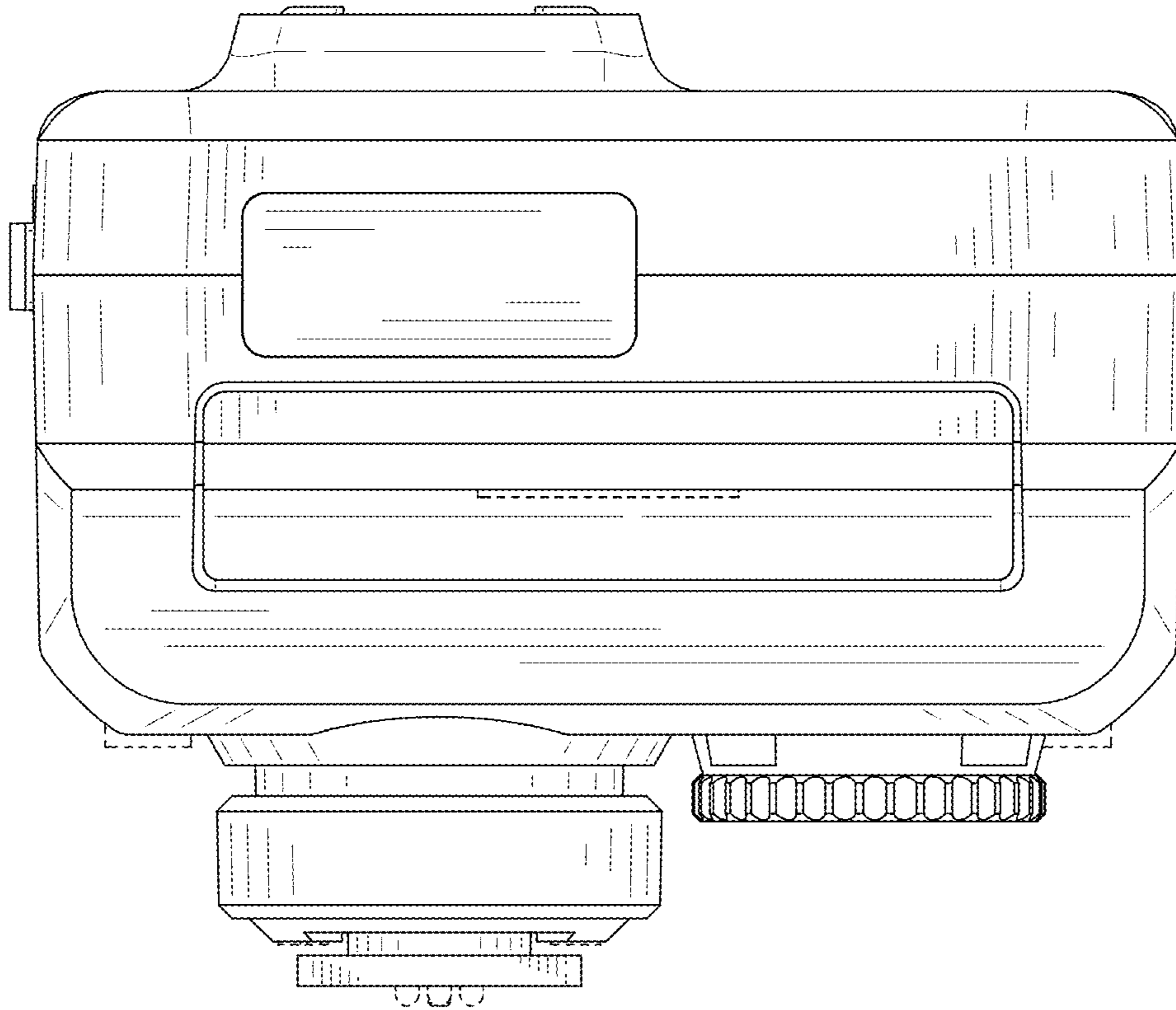


FIG. 4

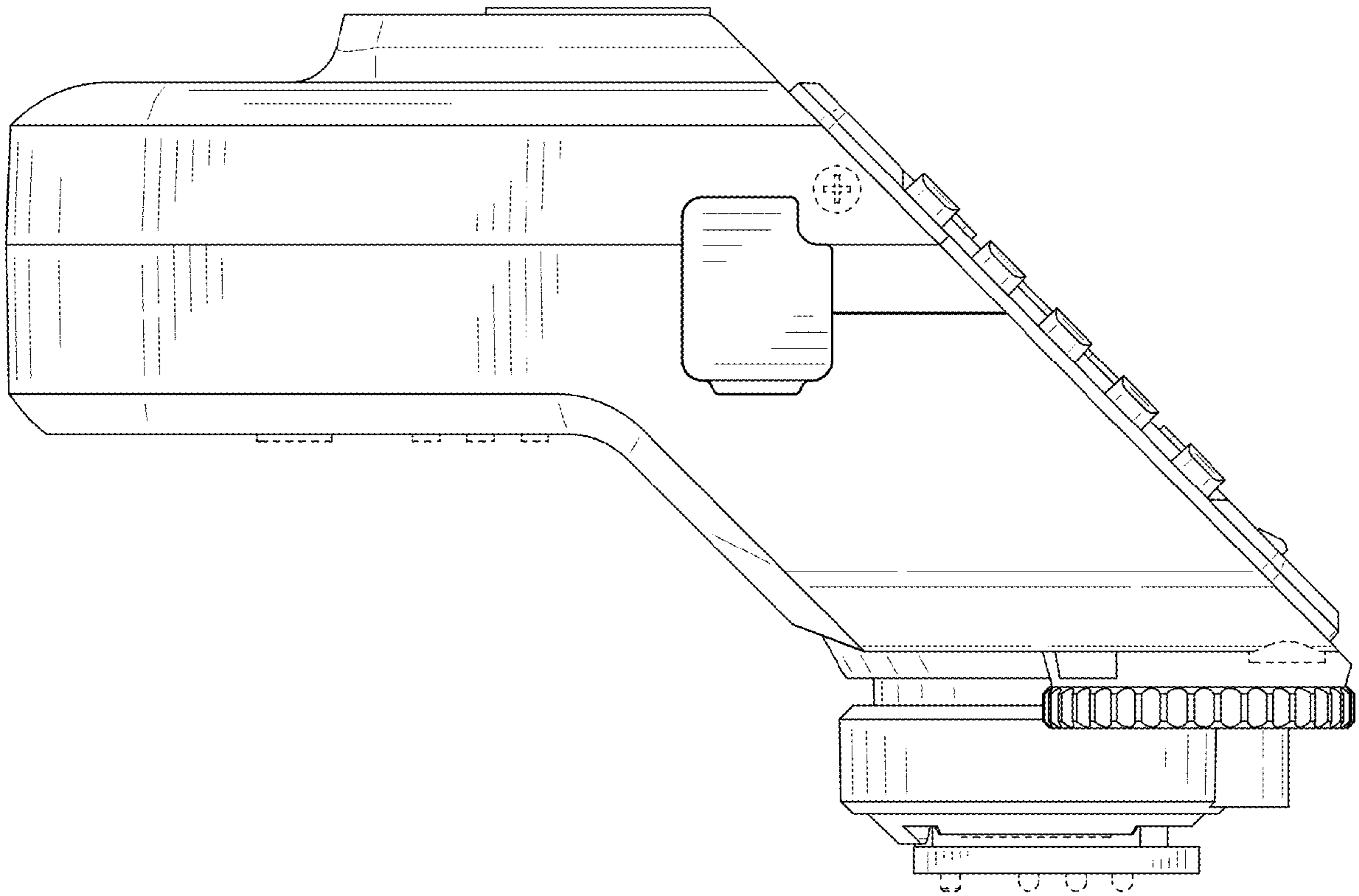


FIG. 5

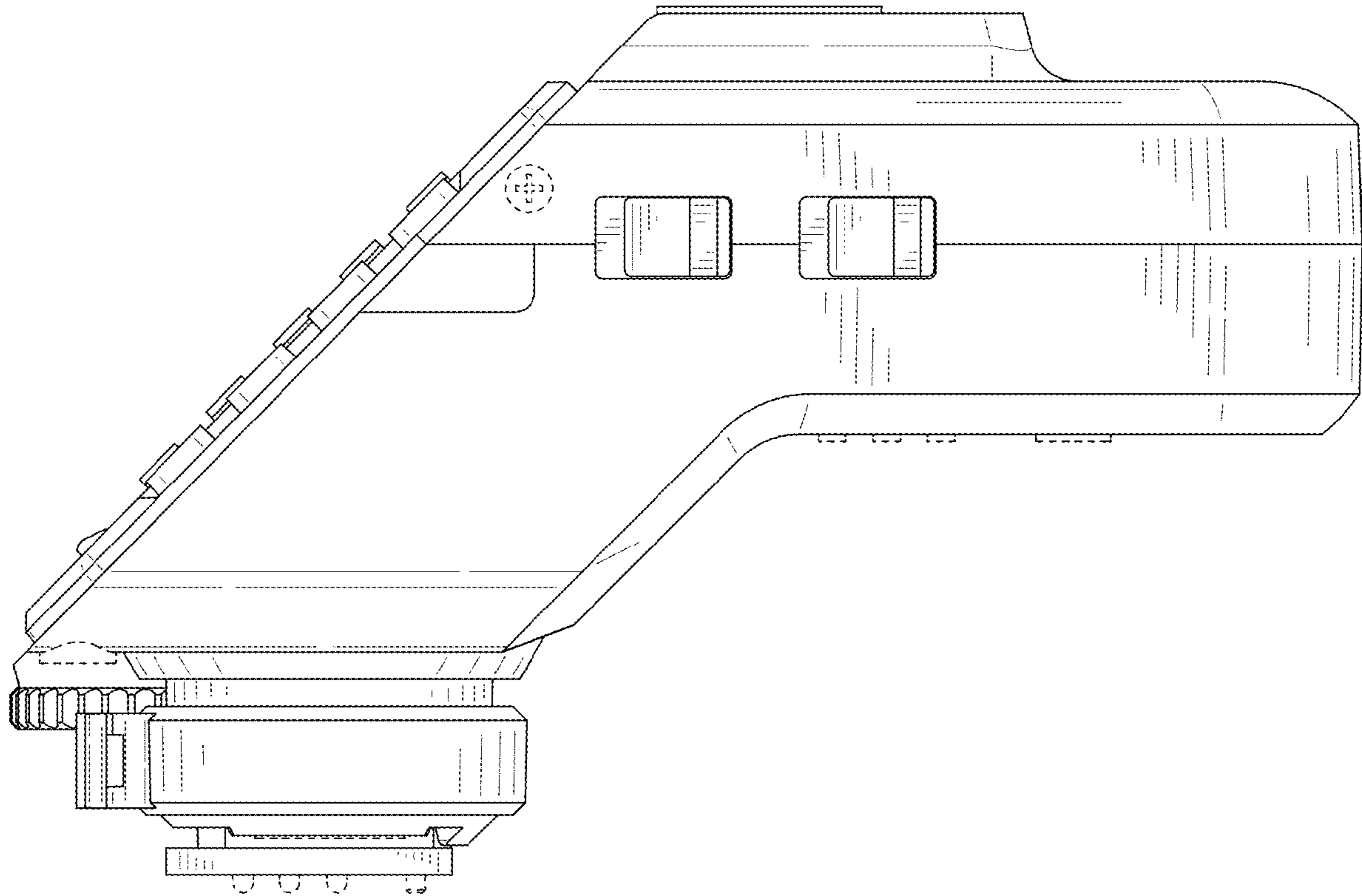


FIG. 6



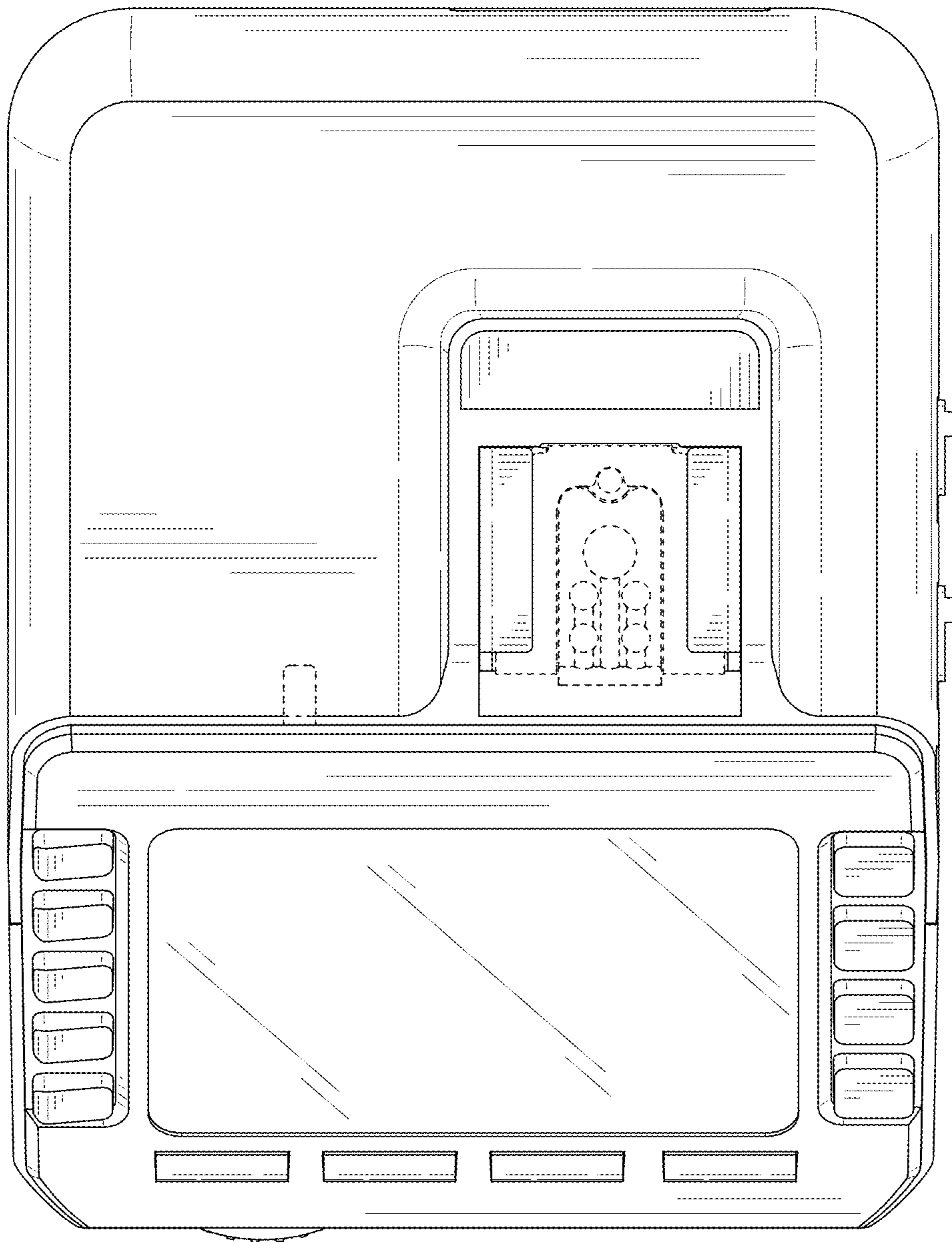


FIG. 7

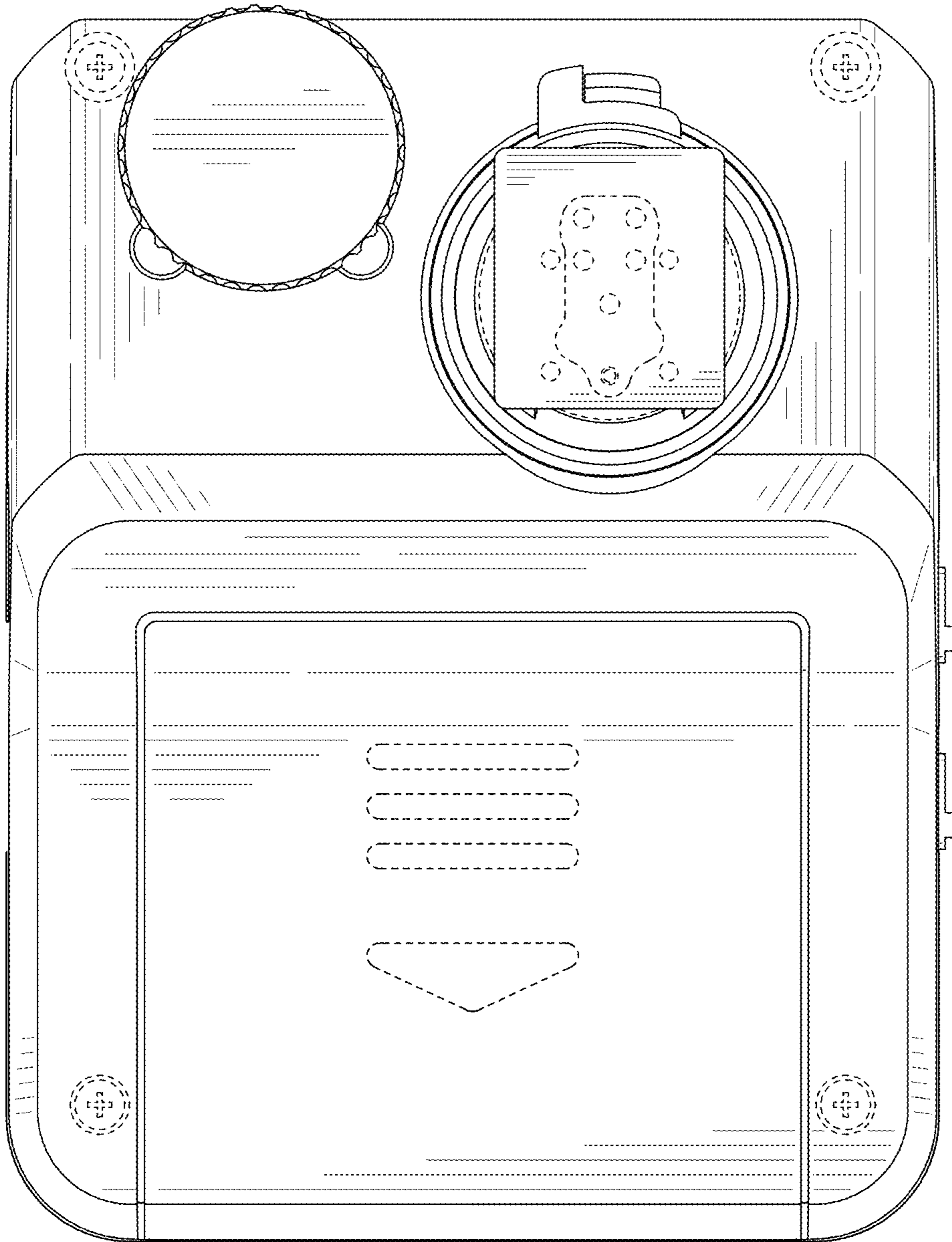


FIG. 8