



US00D943655S

(12) **United States Design Patent**
Ogishita et al.

(10) **Patent No.:** **US D943,655 S**

(45) **Date of Patent:** **** Feb. 15, 2022**

(54) **CAMERA**

(71) Applicant: **SONY INTERACTIVE ENTERTAINMENT INC.**, Tokyo (JP)

(72) Inventors: **Naoki Ogishita**, San Mateo, CA (US); **So Morimoto**, Tokyo (JP); **Yujin Morisawa**, Tokyo (JP)

(73) Assignee: **SONY INTERACTIVE ENTERTAINMENT INC.**, Tokyo (JP)

(**) Term: **15 Years**

(21) Appl. No.: **29/736,359**

(22) Filed: **May 29, 2020**

(51) **LOC (13) Cl.** **16-01**

(52) **U.S. Cl.**
USPC **D16/202**

(58) **Field of Classification Search**
USPC D10/61, 63, 65, 70, 71, 104.1, 106.7;
D16/200, 202-203, 207, 208, 218, 219;
D14/203.1, 204, 209.1, 496, 497;
348/14.01-14.16, 373-376; 396/427,
396/535, 539-541

CPC G03B 17/02; G03B 19/04; G03B 17/56;
G03B 17/04; G03B 15/03; H04N 5/2251;
H04N 5/2252; H04N 5/2253; H04N
5/2254; H04N 2101/00; H04N 2007/145;
H04N 7/141; H04N 7/142; H04N 7/147;
H04N 7/148; H04N 7/15; H04N 7/152

See application file for complete search history.

(56) **References Cited**

U.S. PATENT DOCUMENTS

7,500,794 B1 * 3/2009 Clark G03B 17/00
348/143
D600,730 S * 9/2009 Su D16/202
D629,031 S * 12/2010 Su D16/202
D641,388 S * 7/2011 Shih D16/202

(Continued)

Primary Examiner — Ramzi Almatrahi

(74) *Attorney, Agent, or Firm* — Nixon & Vanderhye

(57) **CLAIM**

The ornamental design for a camera, as shown and described.

DESCRIPTION

FIG. 1 is a top, front and left side perspective view of a camera showing our new design;

FIG. 2 is a top, front and right side perspective view thereof;
FIG. 3 is a bottom, front and right side perspective view thereof;

FIG. 4 is a front elevation view thereof;

FIG. 5 is a rear elevation view thereof;

FIG. 6 is a left side elevation view thereof;

FIG. 7 is a right side elevation view thereof;

FIG. 8 is a top plan view thereof;

FIG. 9 is a bottom plan view thereof;

FIG. 10 is a top, front and left side perspective view thereof, shown in an open configuration;

FIG. 11 is a top, front and right side perspective view thereof;

FIG. 12 is a bottom, front and right side perspective view thereof;

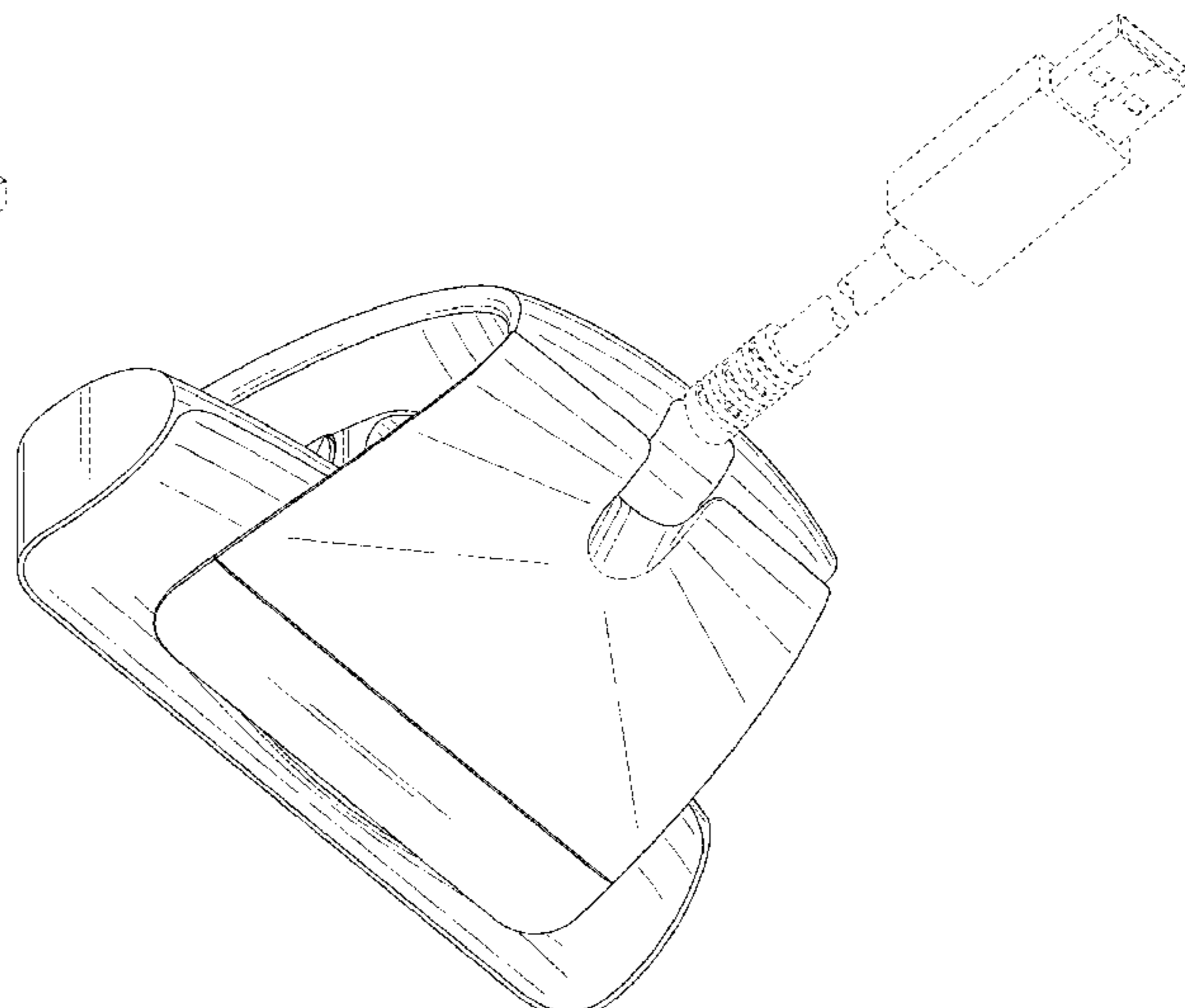
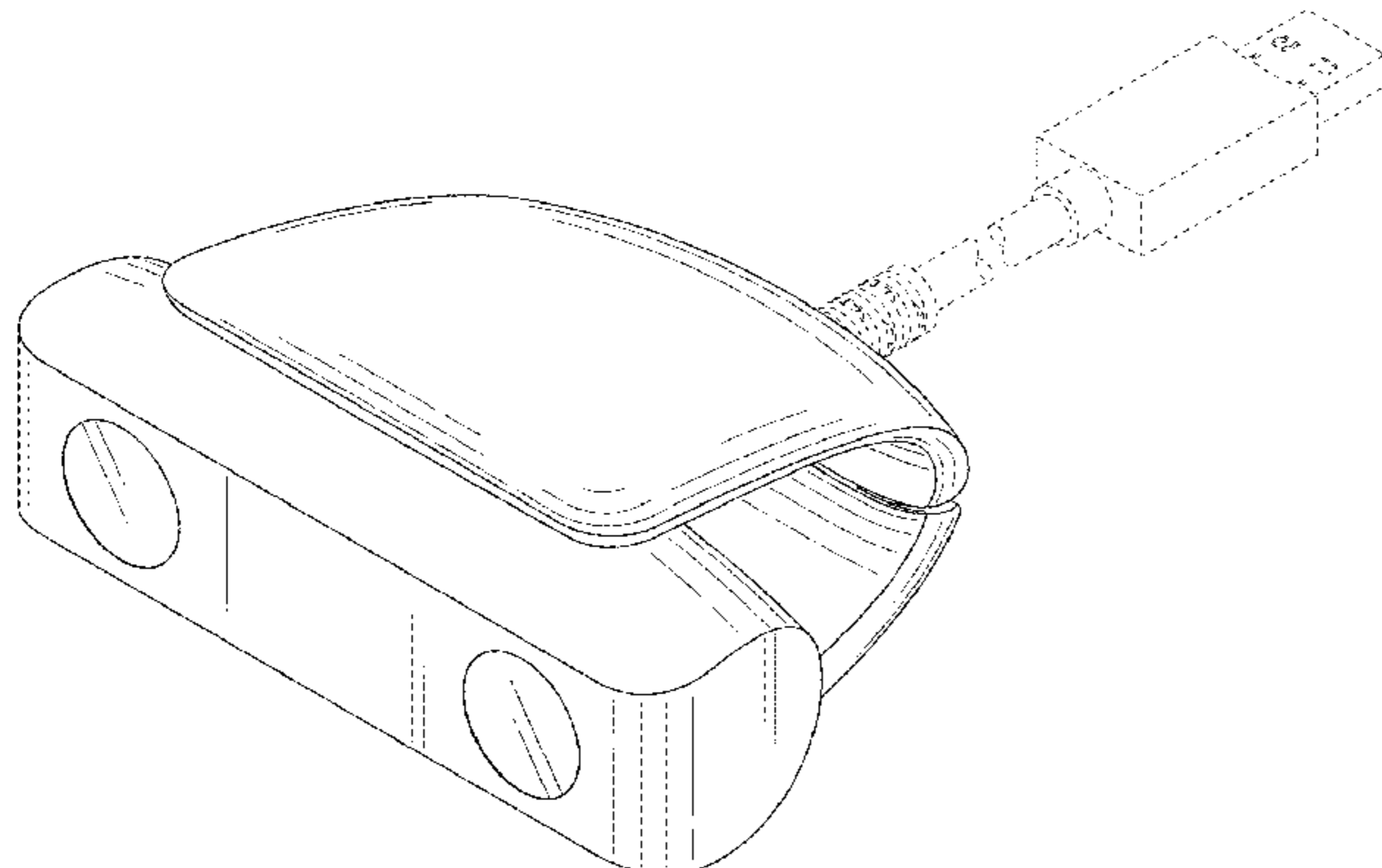
FIG. 13 is a top, front and left side perspective view thereof, shown in condition of use with a monitor disclosed in broken lines to illustrate an environment;

FIG. 14 is a front elevation view thereof; and,

FIG. 15 is an enlarged view of portion 15 shown in FIG. 14. The broken lines depict portions of the camera in which the design is embodied that form no part of the claimed design.

The broken lines showing a monitor in FIGS. 13-15 represent environmental structure and form no part of the claimed design. Additionally, the dot-dash broken lines encircling an enlargement portion of the design forms no part of the claimed design.

1 Claim, 11 Drawing Sheets



(56)

References Cited

U.S. PATENT DOCUMENTS

D665,439	S	*	8/2012	Khamsepoor	D16/202
D674,430	S	*	1/2013	Inoue	D16/218
D680,144	S	*	4/2013	Tsai	D16/202
8,593,567	B2	*	11/2013	Xiao	H04N 5/2251 348/373
D709,117	S	*	7/2014	Gan	D16/202
D775,679	S	*	1/2017	Klein	D16/202
D800,201	S	*	10/2017	Song	D16/202
D849,086	S	*	5/2019	Russo	D16/202
D870,790	S	*	12/2019	Depay	D16/202

* cited by examiner

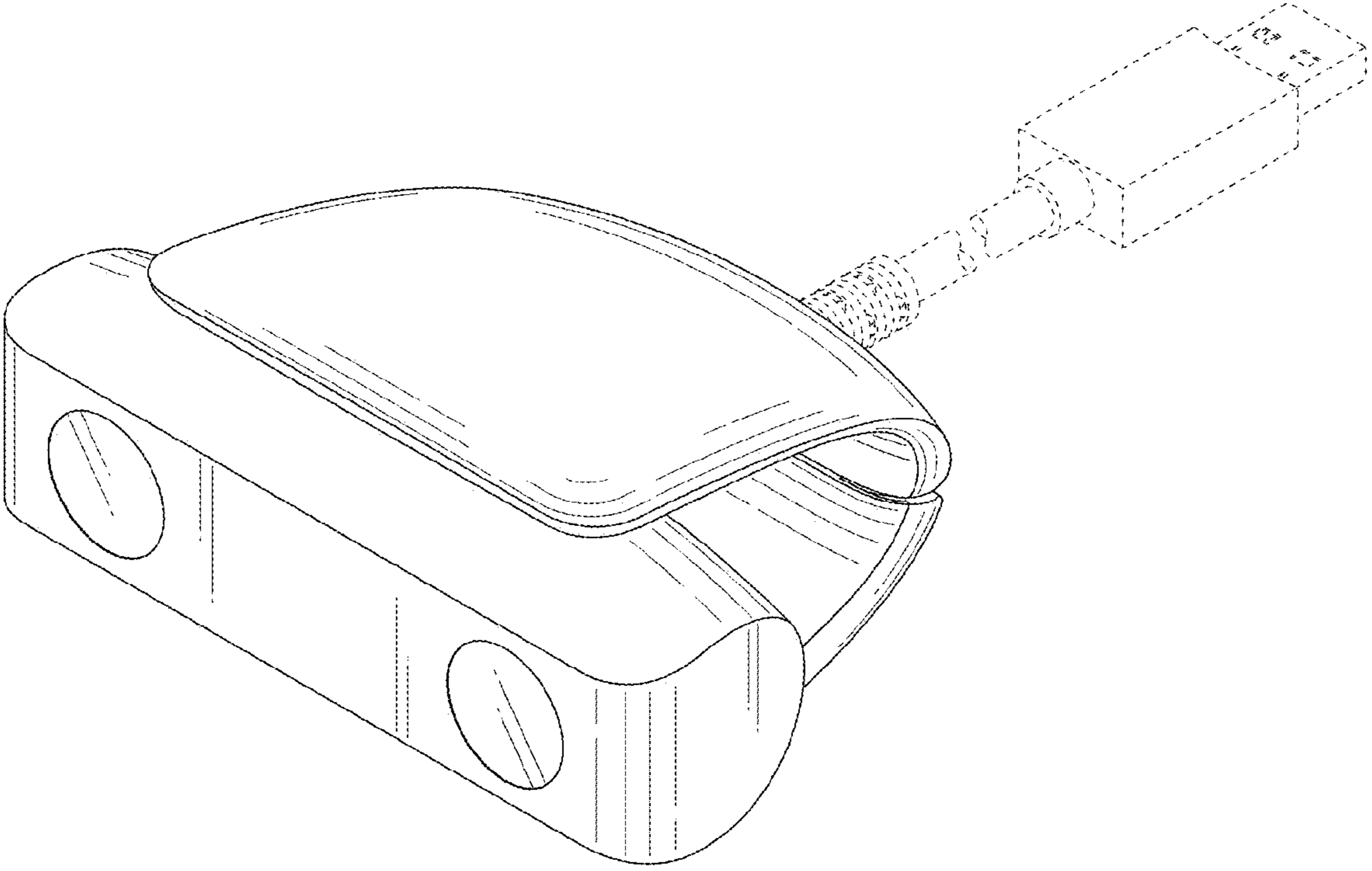


FIG. 1

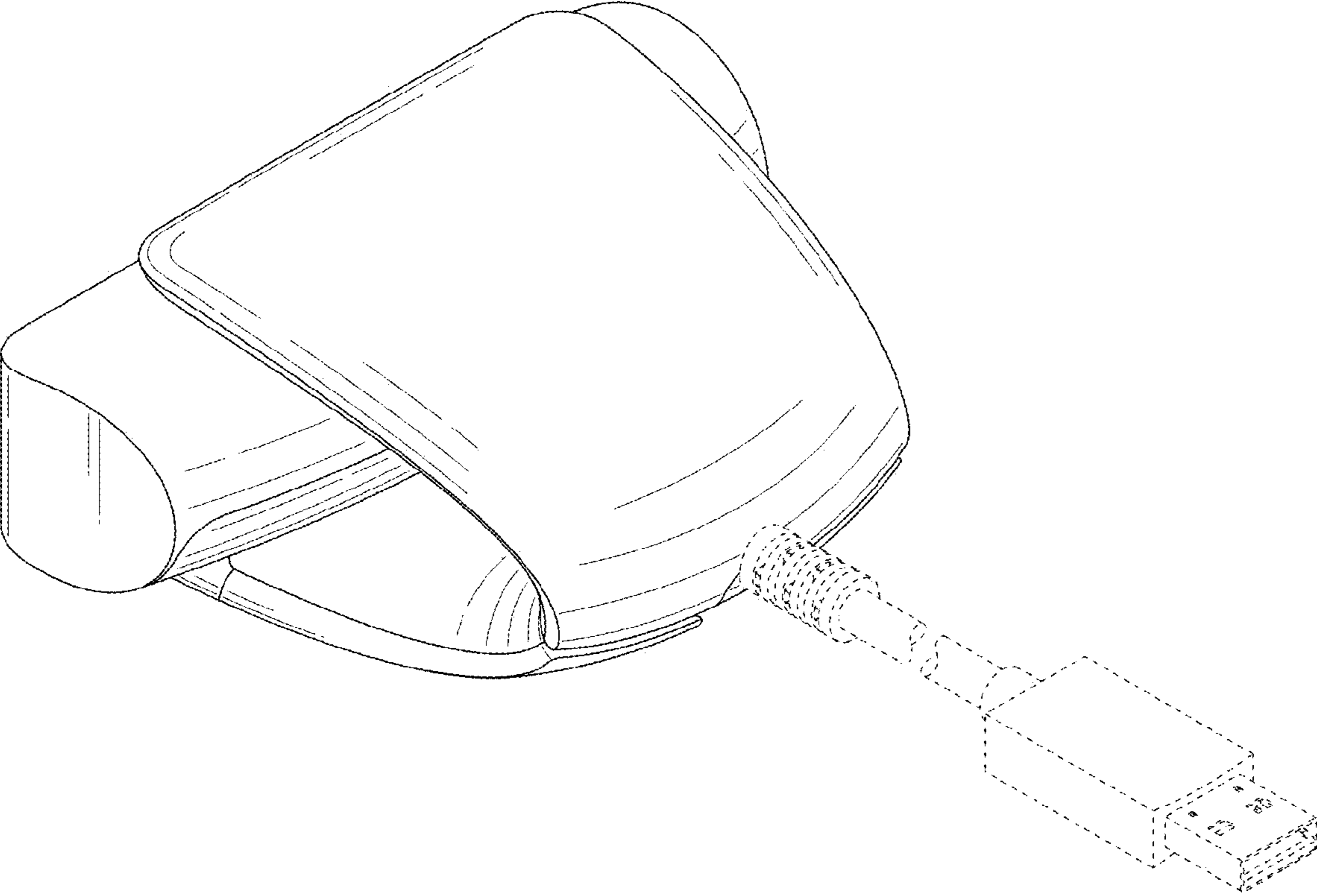


FIG. 2

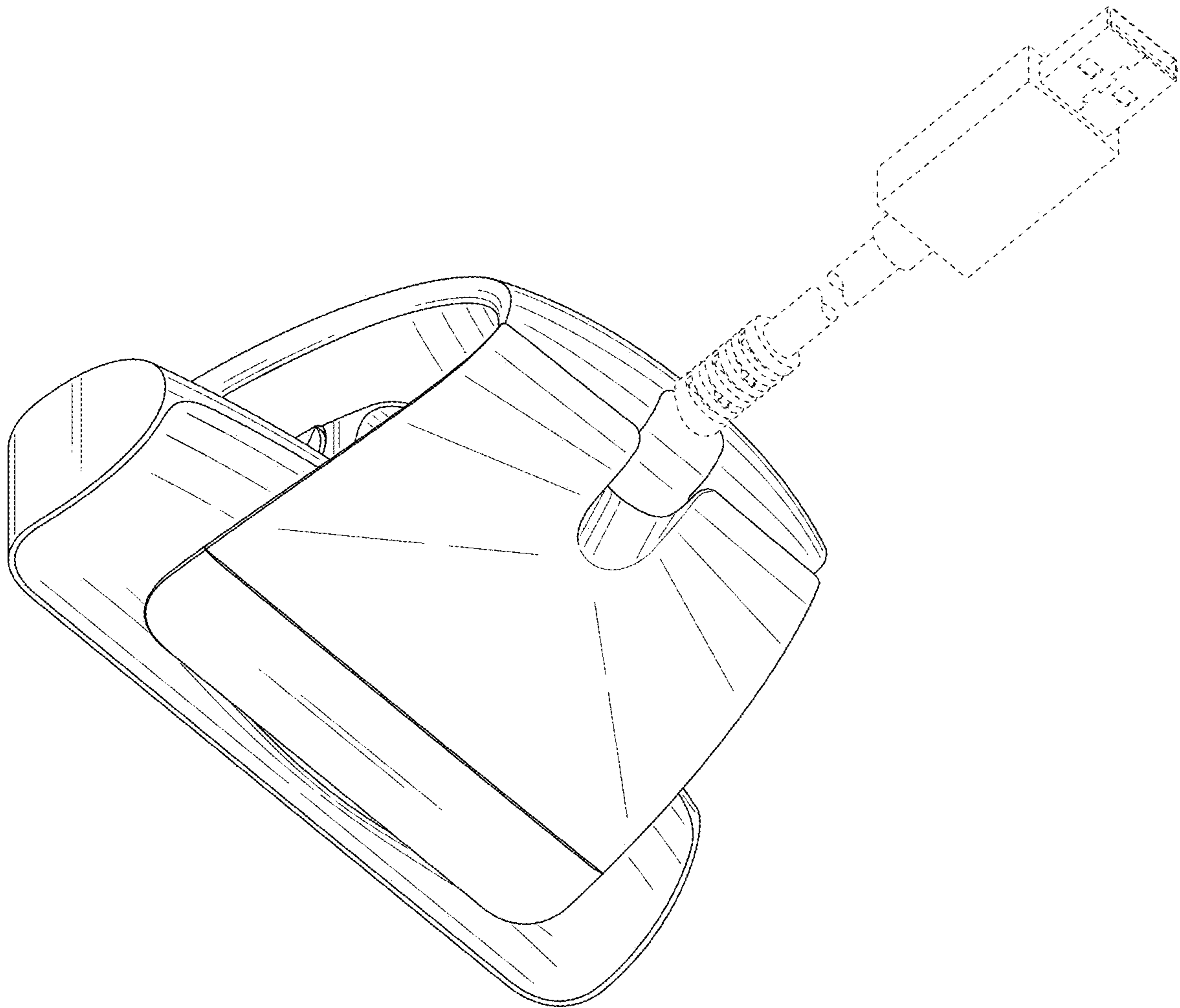


FIG. 3

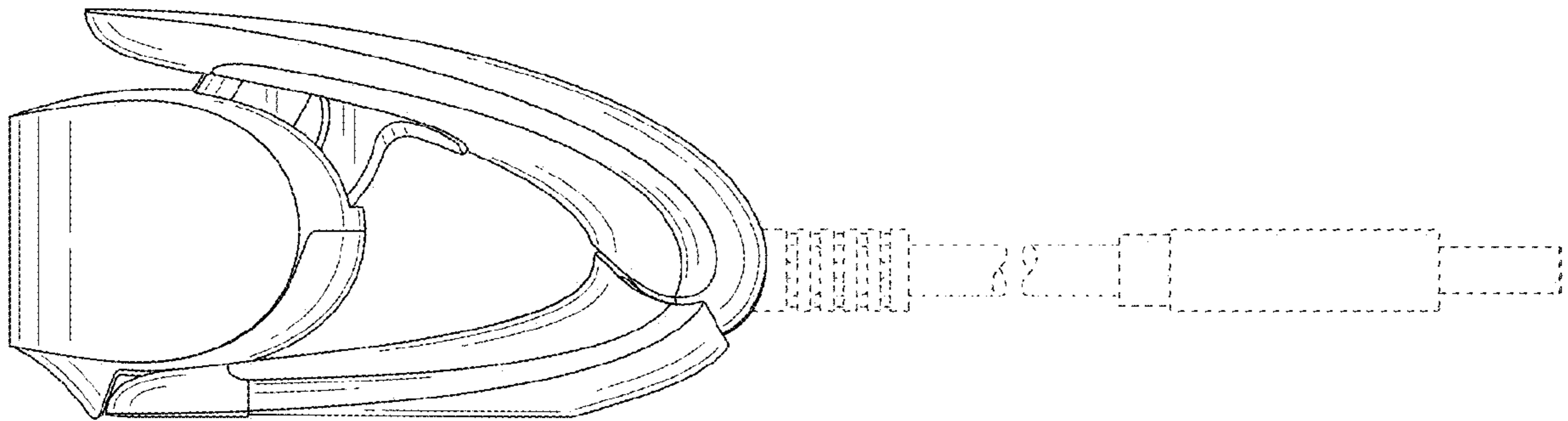


FIG. 4

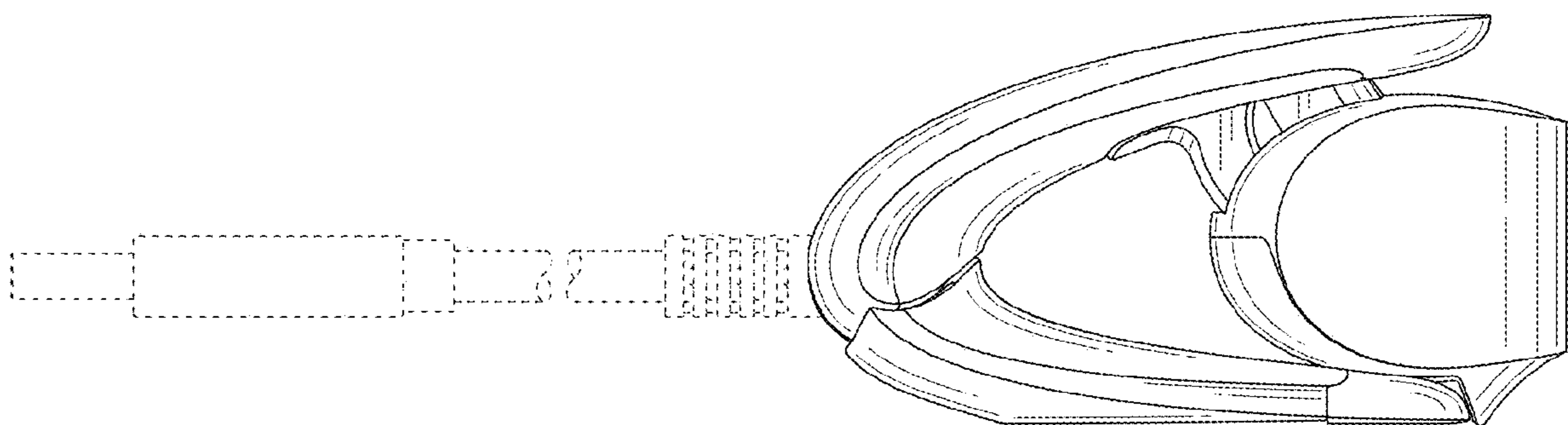


FIG. 5

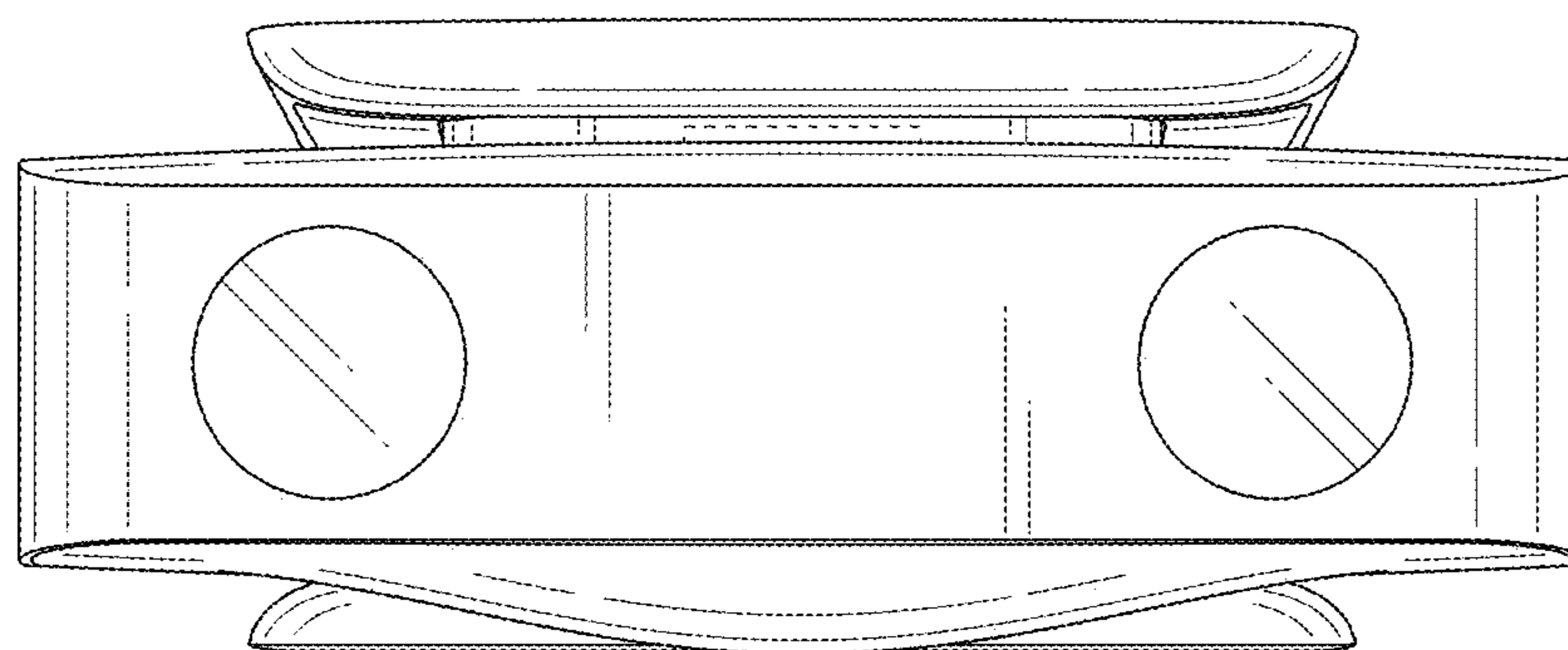


FIG. 6

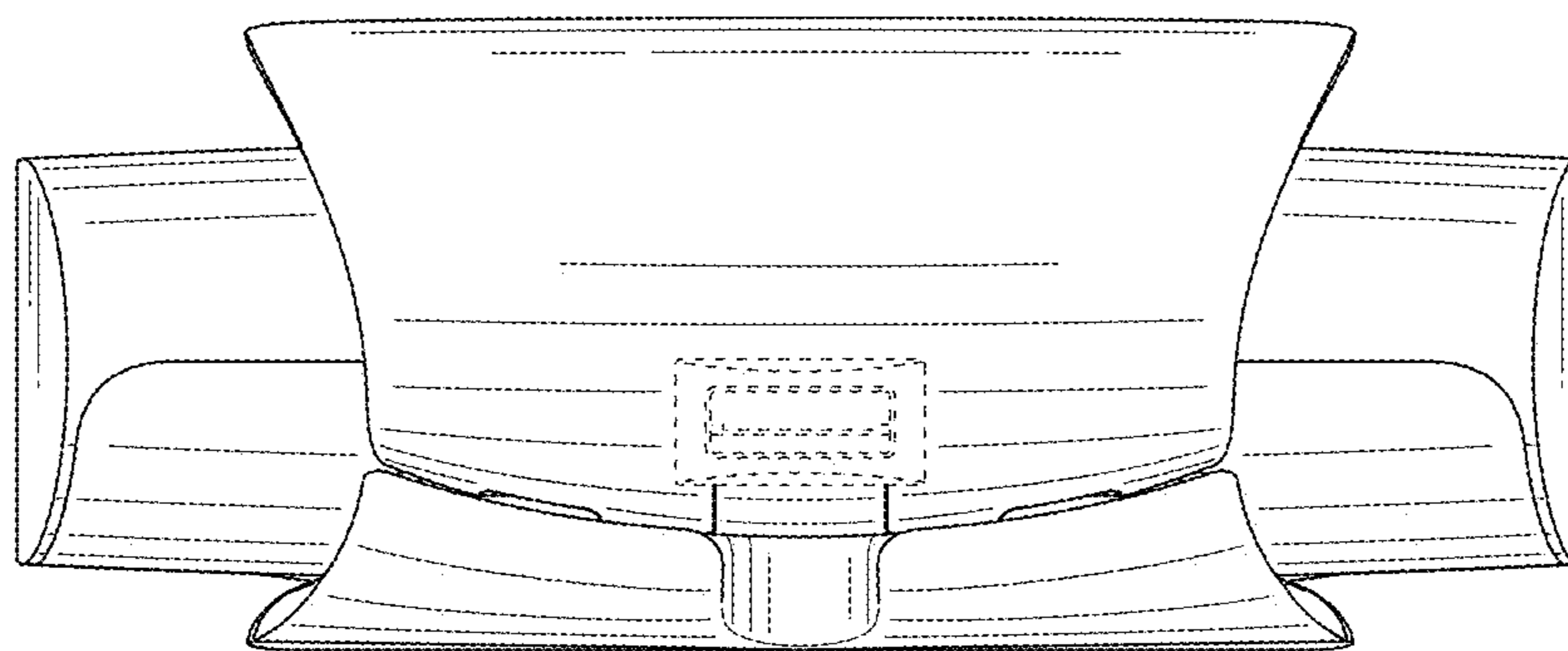


FIG. 7

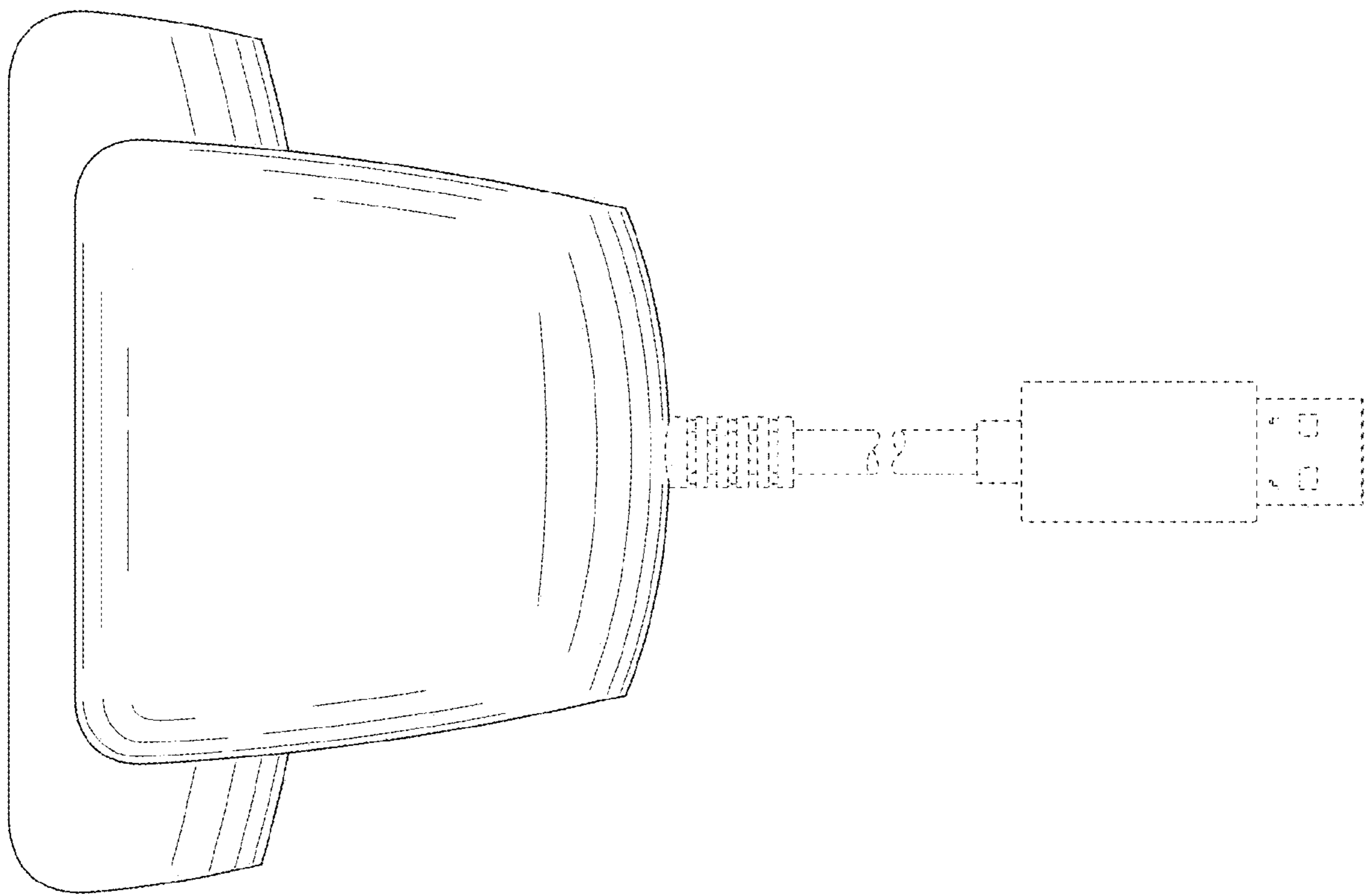


FIG. 8

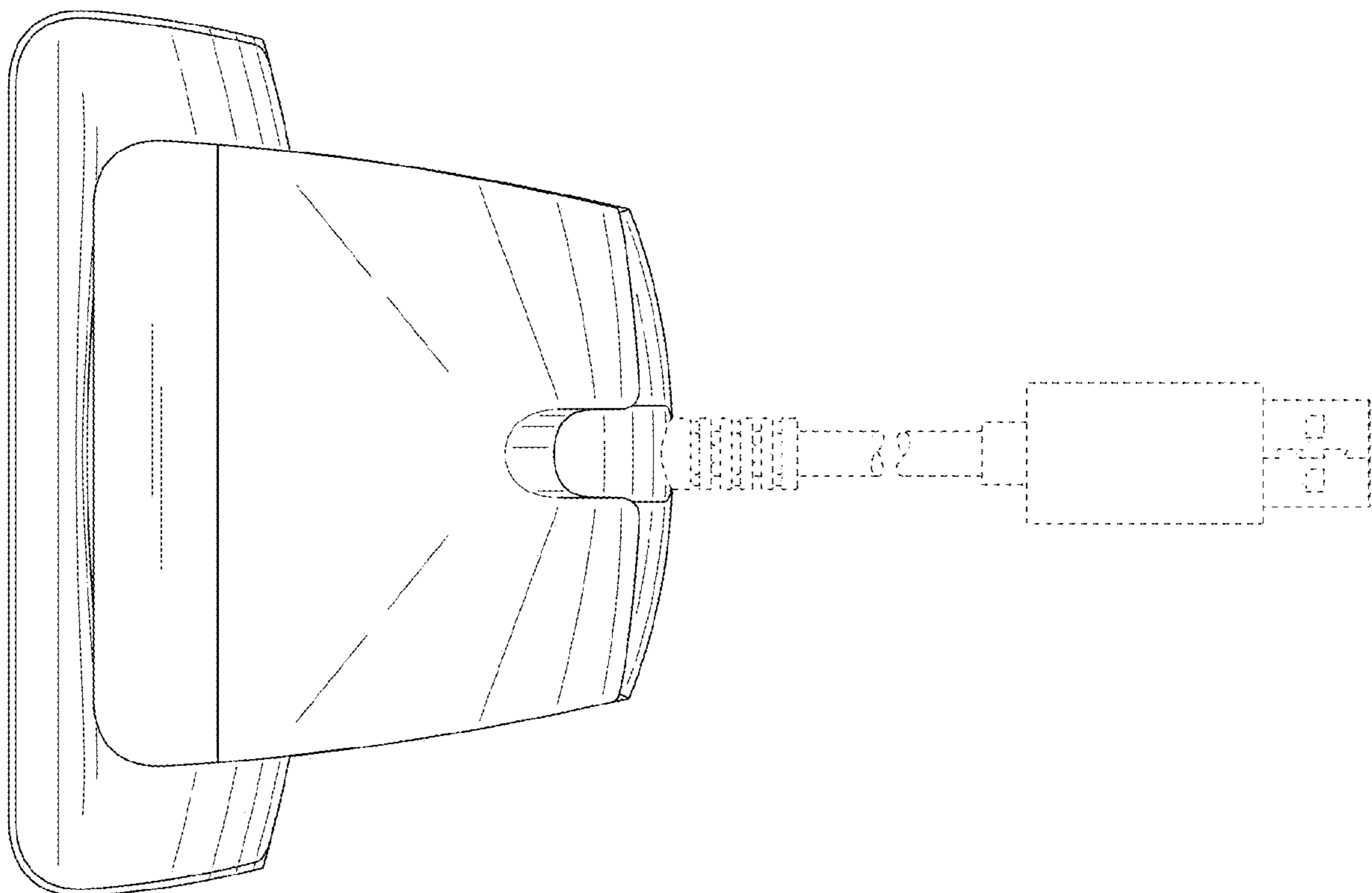


FIG. 9

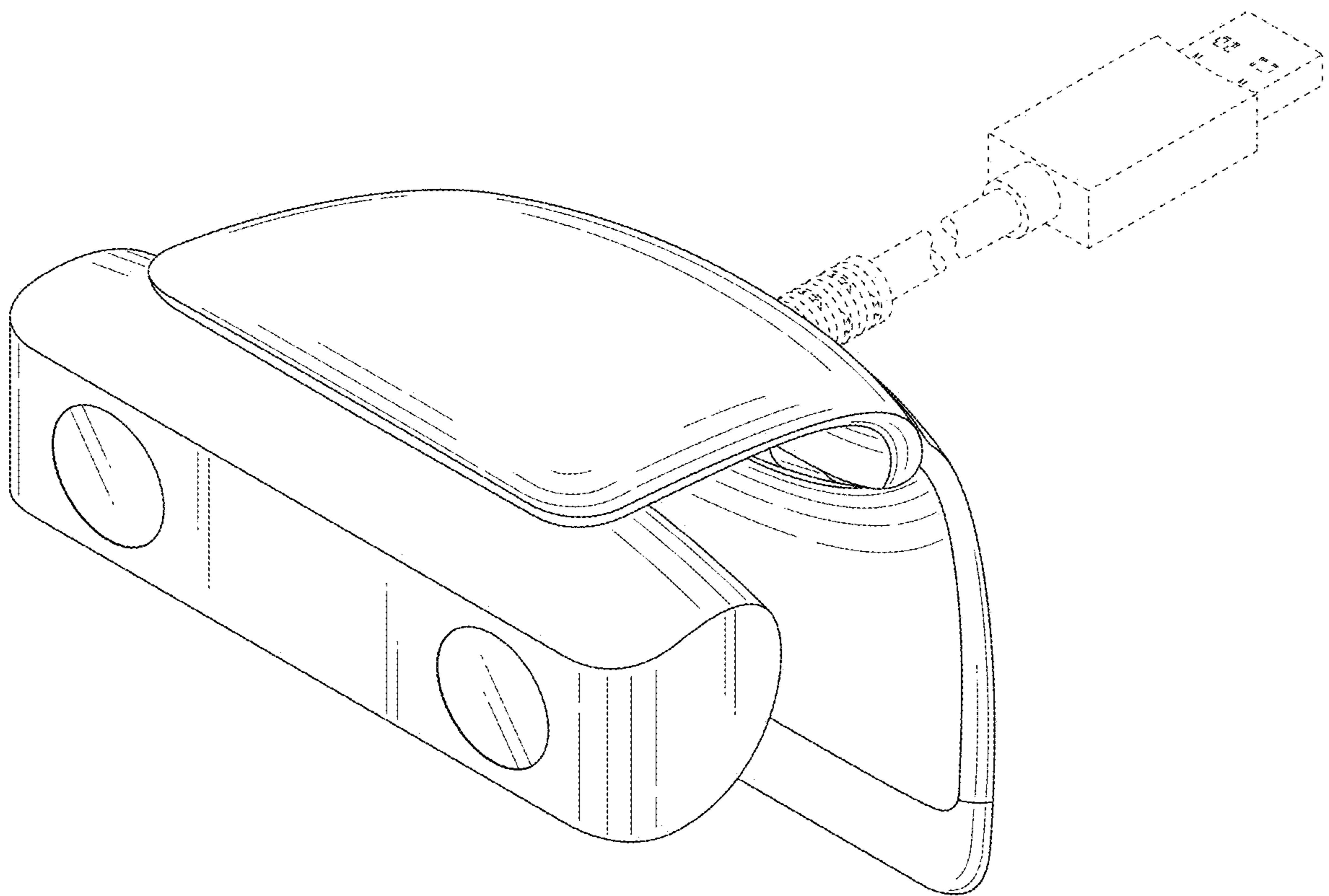


FIG. 10

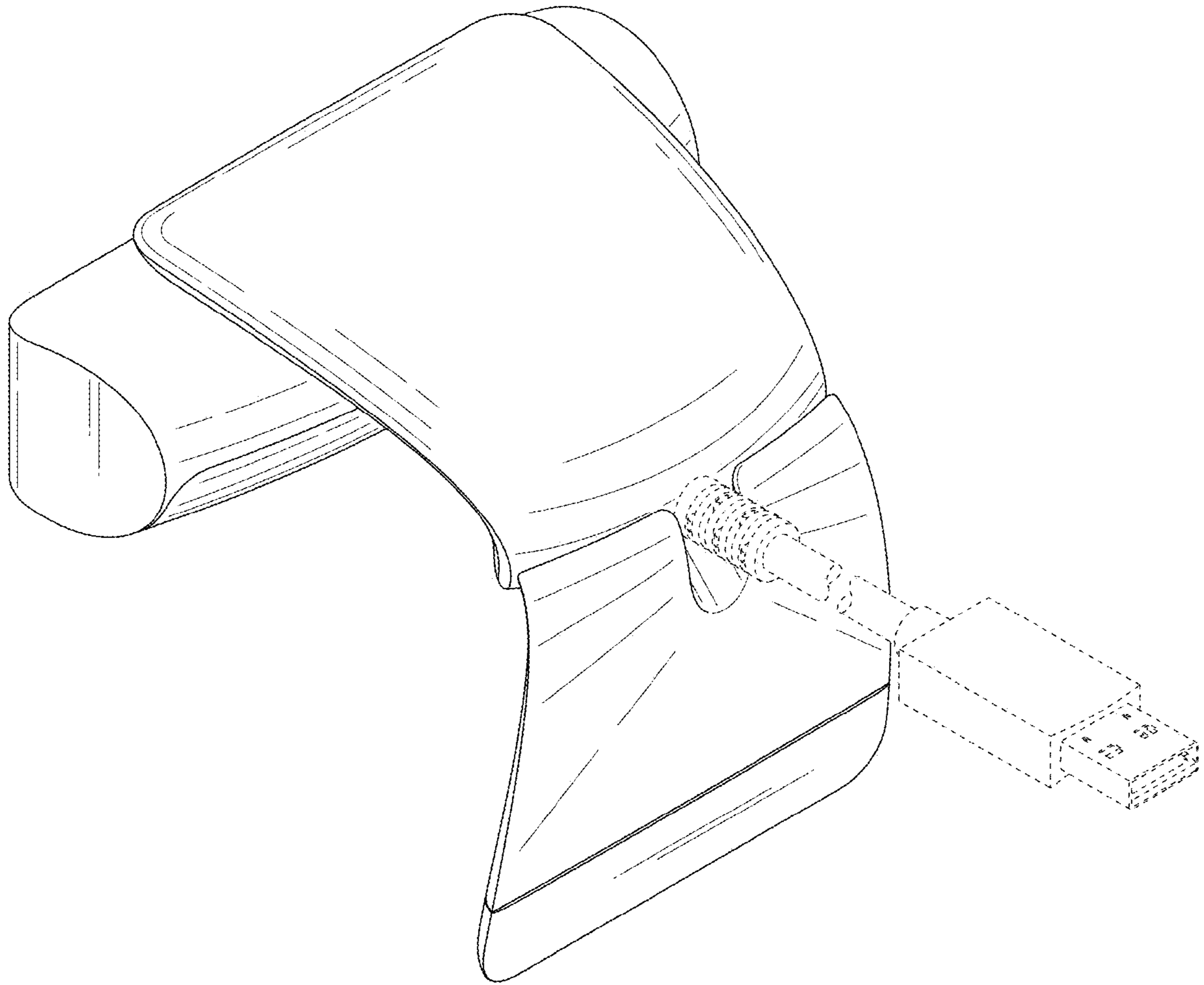


FIG. 11

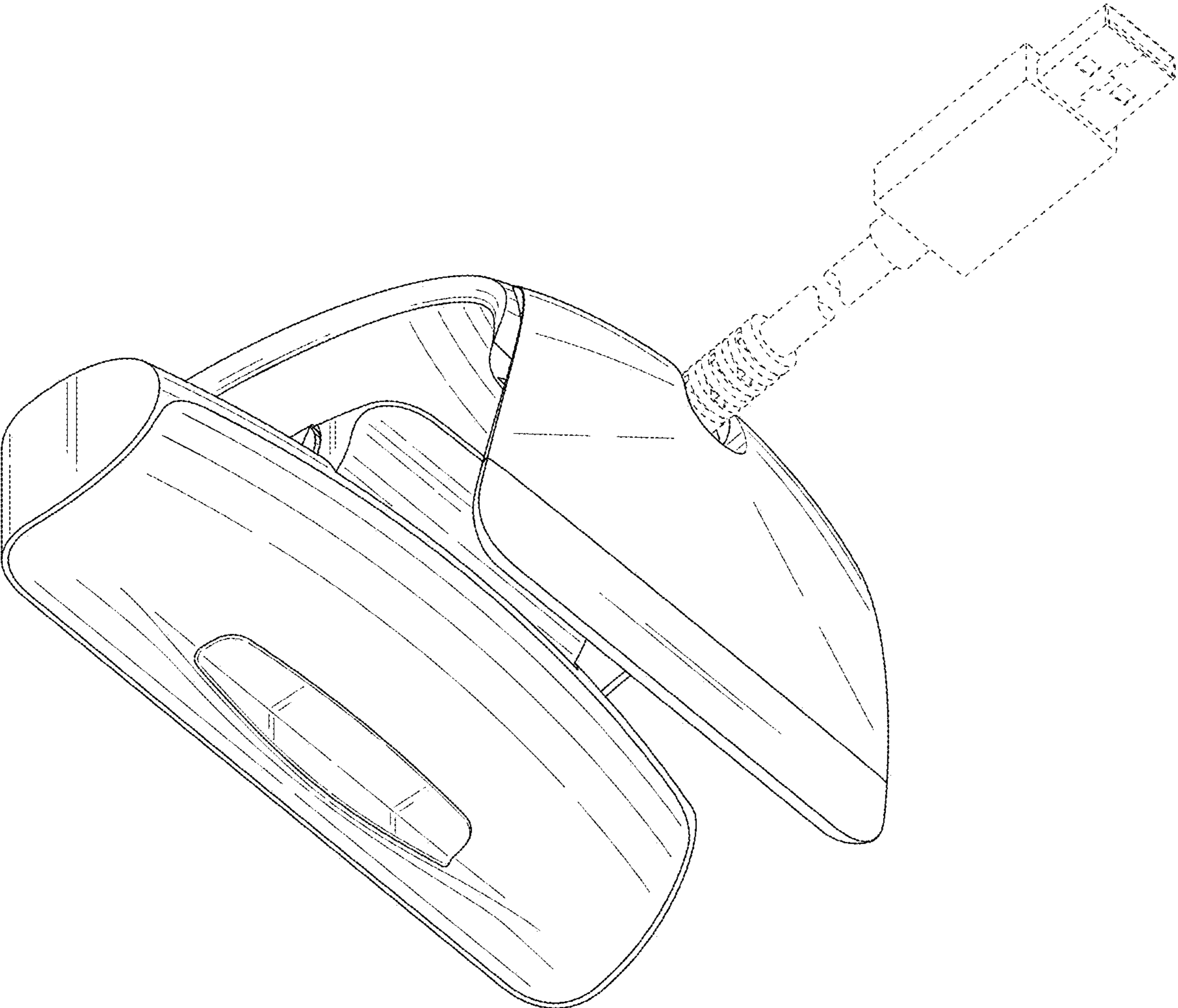


FIG. 12

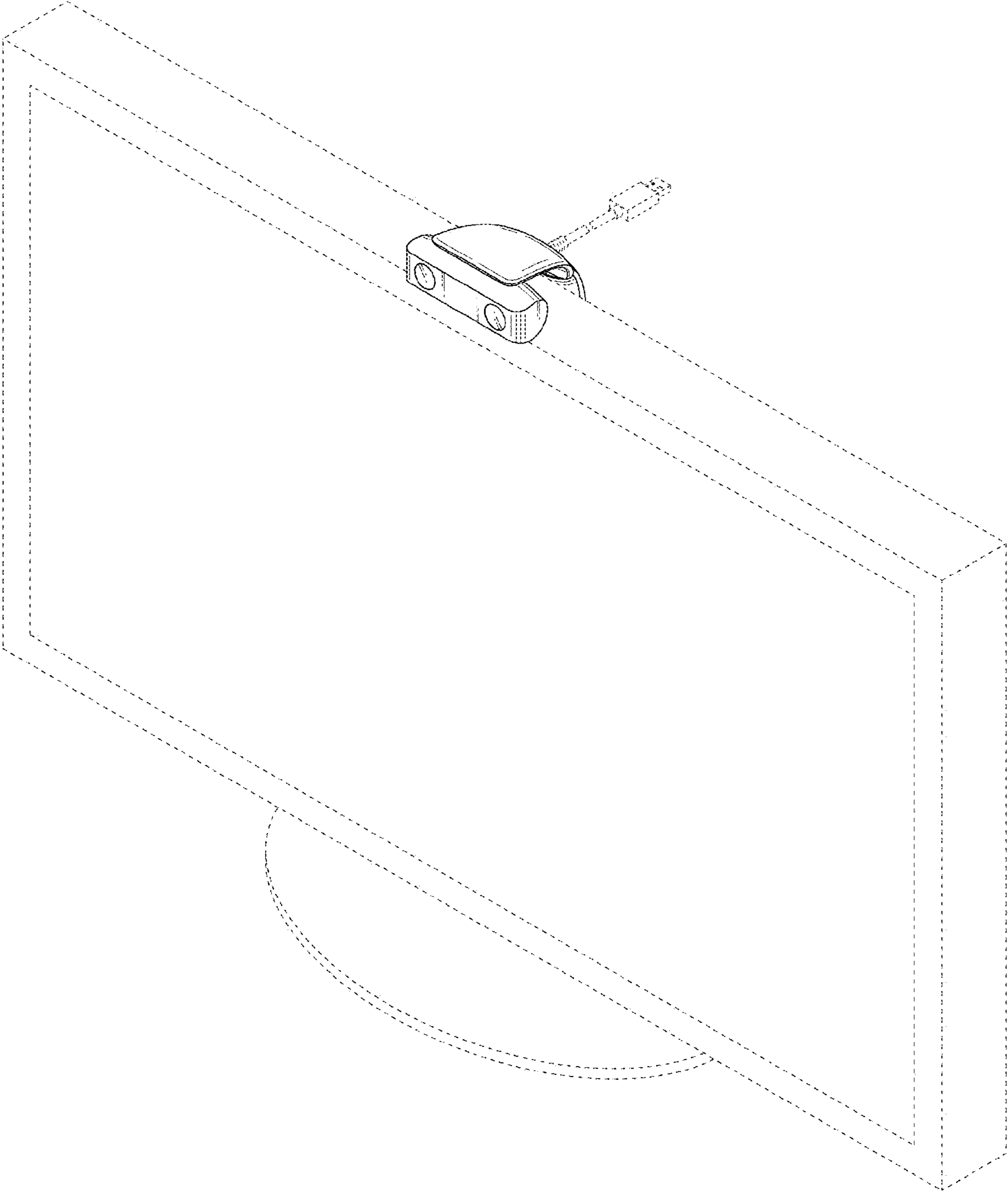


FIG. 13

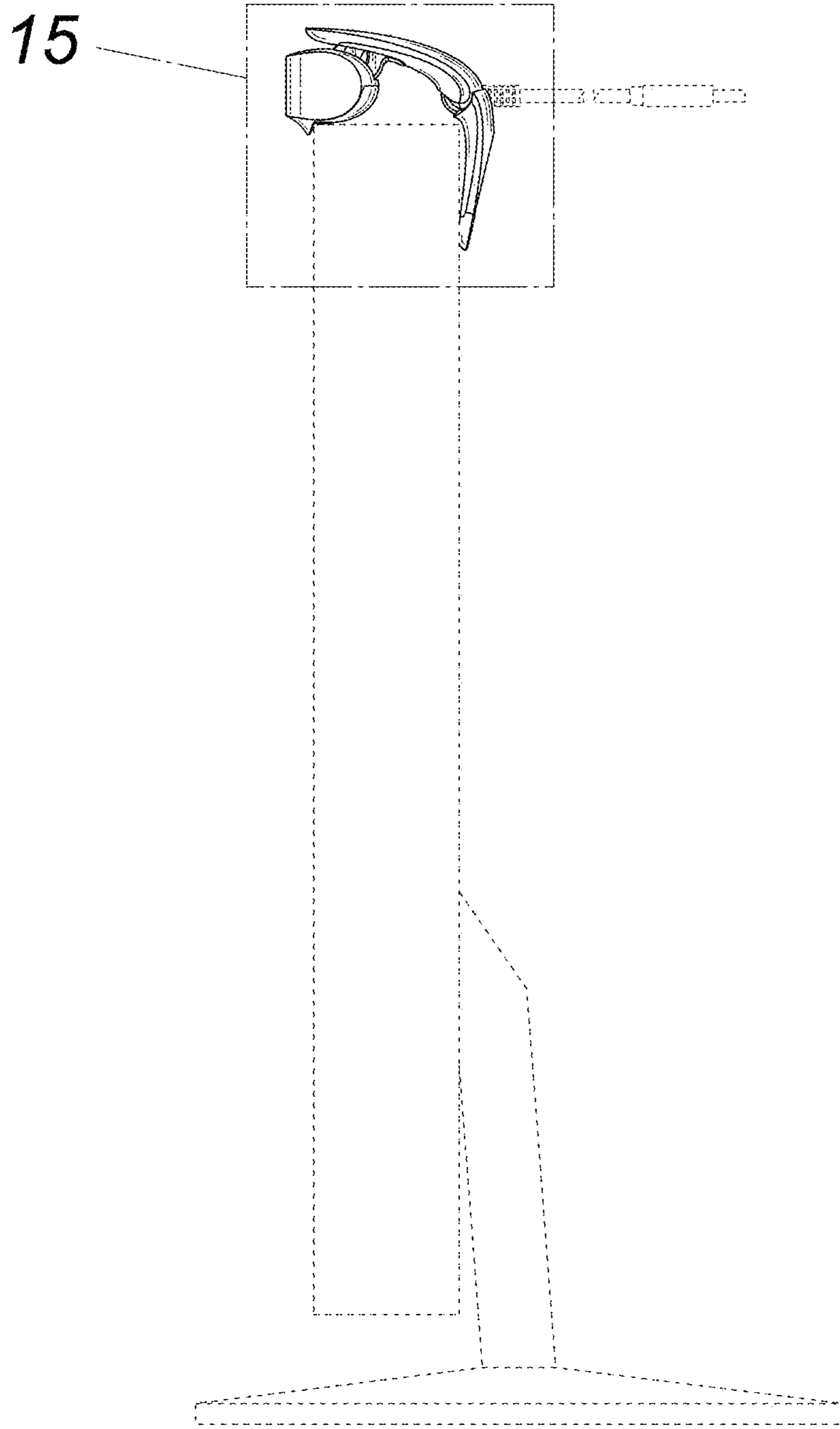


FIG. 14

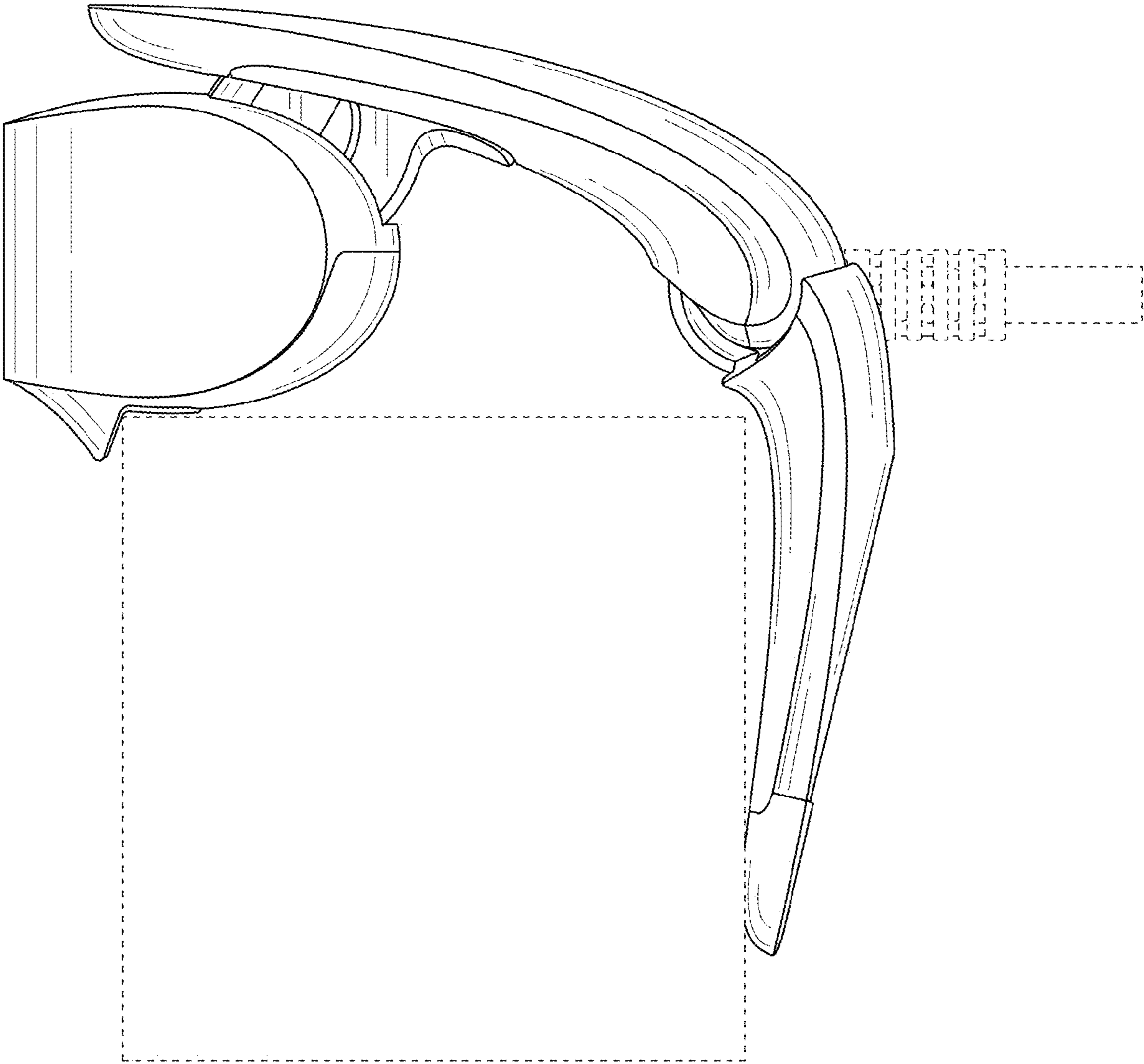


FIG. 15