

US00D943654S

(12) **United States Design Patent**
Jiang

(10) **Patent No.:** **US D943,654 S**

(45) **Date of Patent:** **** Feb. 15, 2022**

(54) **CAMERA CASE**

(71) Applicant: **SHENZHEN JIECHUANG DESIGN CO., LTD.**, Shenzhen (CN)

(72) Inventor: **Jiaoying Jiang**, Shenzhen (CN)

(73) Assignee: **SHENZHEN JIECHUANG DESIGN CO., LTD.**, Shenzhen (CN)

(**) Term: **15 Years**

(21) Appl. No.: **29/701,602**

(22) Filed: **Aug. 13, 2019**

(51) **LOC (13) Cl.** **16-01**

(52) **U.S. Cl.**
USPC **D16/200**

(58) **Field of Classification Search**
USPC D16/200, 202–204, 208, 211, 218, 219,
D16/237, 242; D3/263, 267, 268;
248/176.1, 187.1; 348/81, 360, 373–376,
348/835; 396/25, 27–29, 419, 535,
396/539–541
CPC G03B 15/03; G03B 17/02; G03B 17/04;
G03B 17/08; G03B 17/56; G03B 19/04;
H04N 5/2251; H04N 5/2252; H04N
5/2253; H04N 5/2254; A45C 11/38
See application file for complete search history.

(56) **References Cited**

U.S. PATENT DOCUMENTS

D710,921 S * 8/2014 Gioscia D16/200
D739,451 S * 9/2015 Gioscia D16/200

D750,146 S * 2/2016 Costa D16/200
D750,680 S * 3/2016 Chen D16/200
D776,741 S * 1/2017 Parfitt D16/204
D778,335 S * 2/2017 Gioscia D16/200
D808,163 S * 1/2018 Song D3/269
D837,861 S * 1/2019 Luo D16/200
D856,391 S * 8/2019 Liu D16/200
D868,131 S * 11/2019 Hu D16/200
D869,539 S * 12/2019 Hu D16/200
D888,792 S * 6/2020 Luo D16/200
D924,297 S * 7/2021 Imai D16/202

* cited by examiner

Primary Examiner — Ramzi Almatrahi

(74) *Attorney, Agent, or Firm* — Law Offices of Steven W. Weinrieb

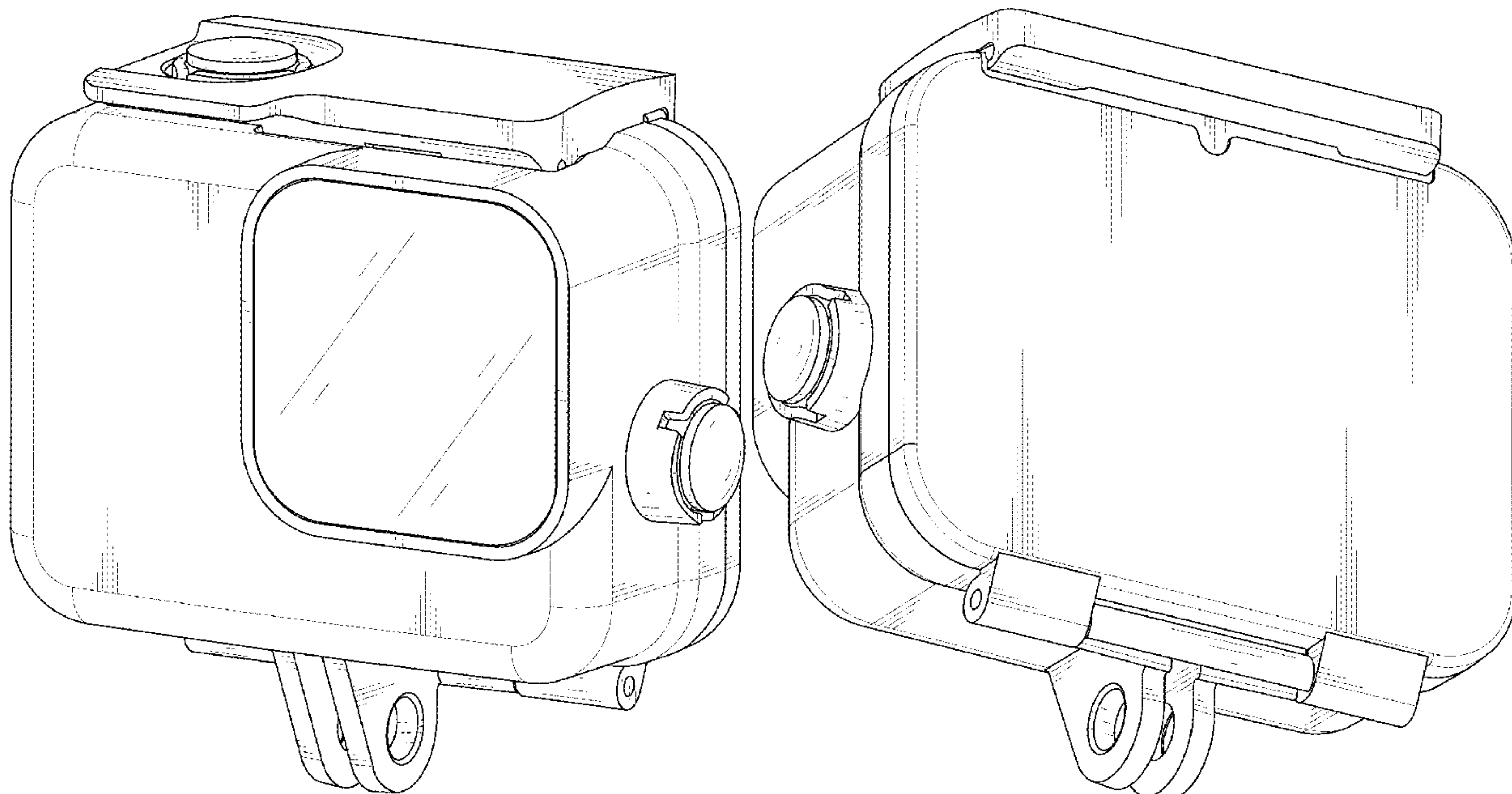
(57) **CLAIM**

The ornamental design for a camera case, as shown and described.

DESCRIPTION

FIG. 1 is a top, front and right side perspective view of a camera case showing my new design;
FIG. 2 is a bottom, rear and right side perspective view thereof;
FIG. 3 is a front elevational view thereof;
FIG. 4 is a rear elevational view thereof;
FIG. 5 is a left side elevational view thereof;
FIG. 6 is a right side elevational view thereof;
FIG. 7 is a top plan view thereof; and,
FIG. 8 is a bottom plan view thereof.

1 Claim, 8 Drawing Sheets



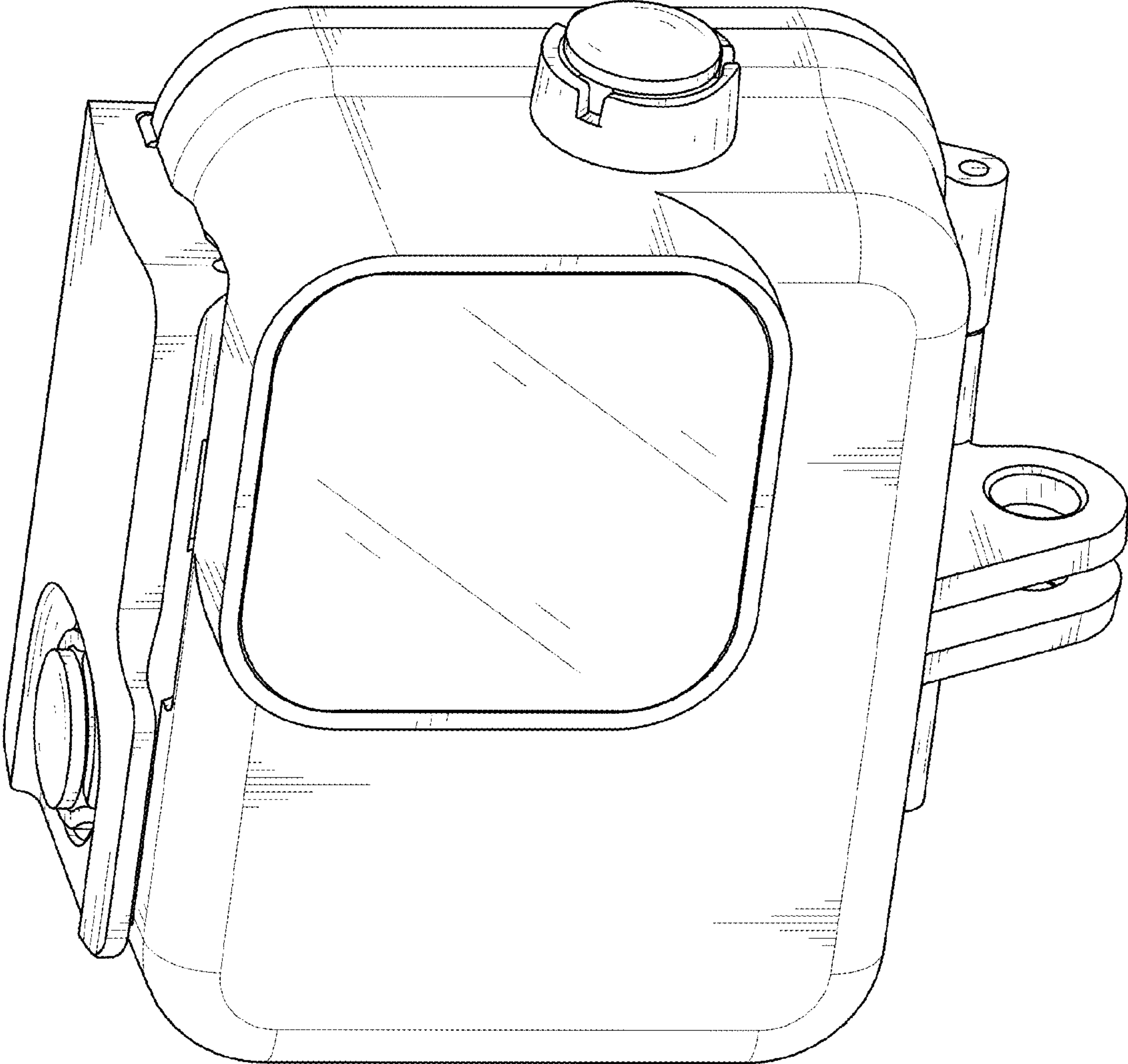


FIG. 1

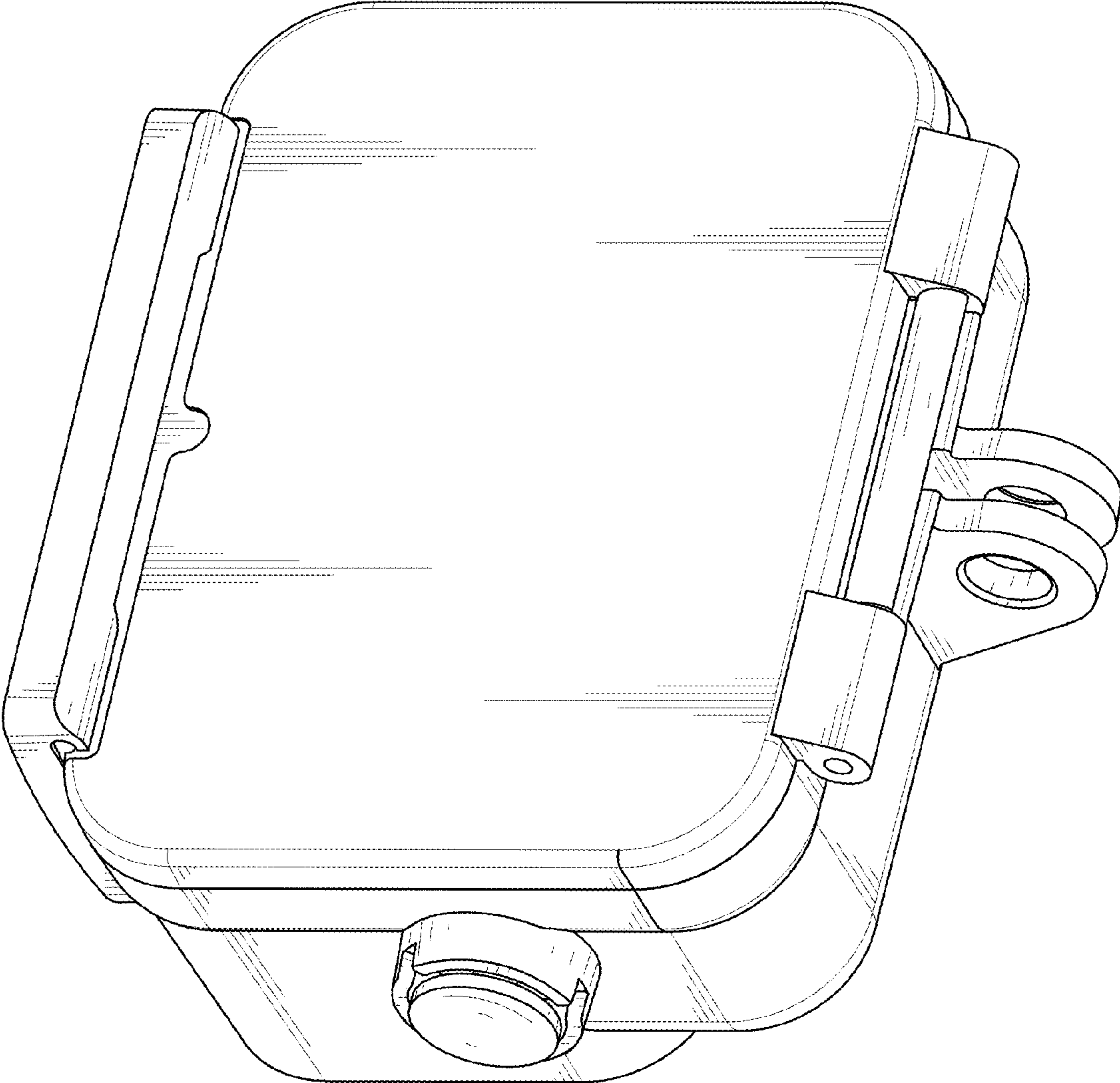


FIG. 2

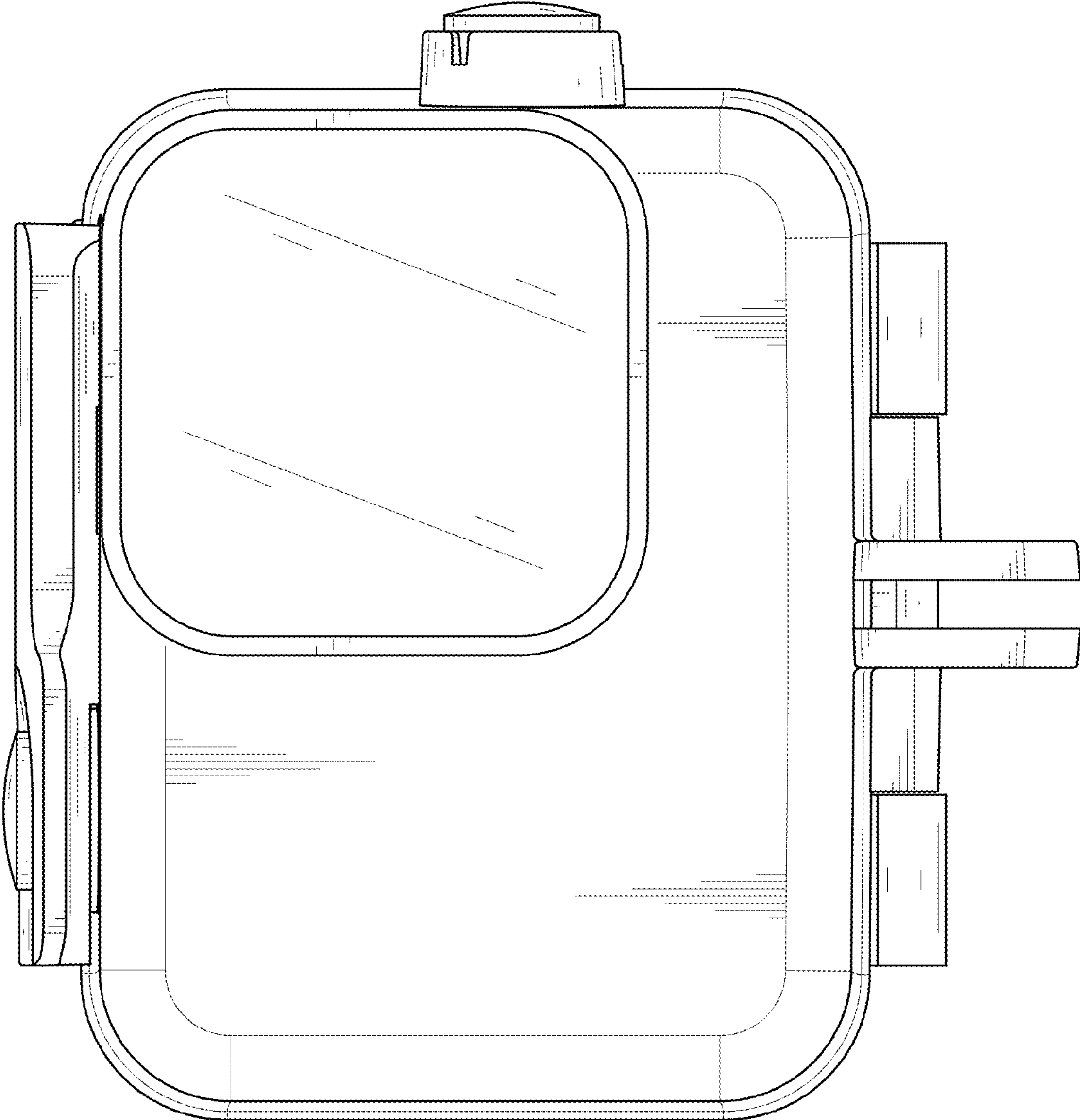


FIG. 3

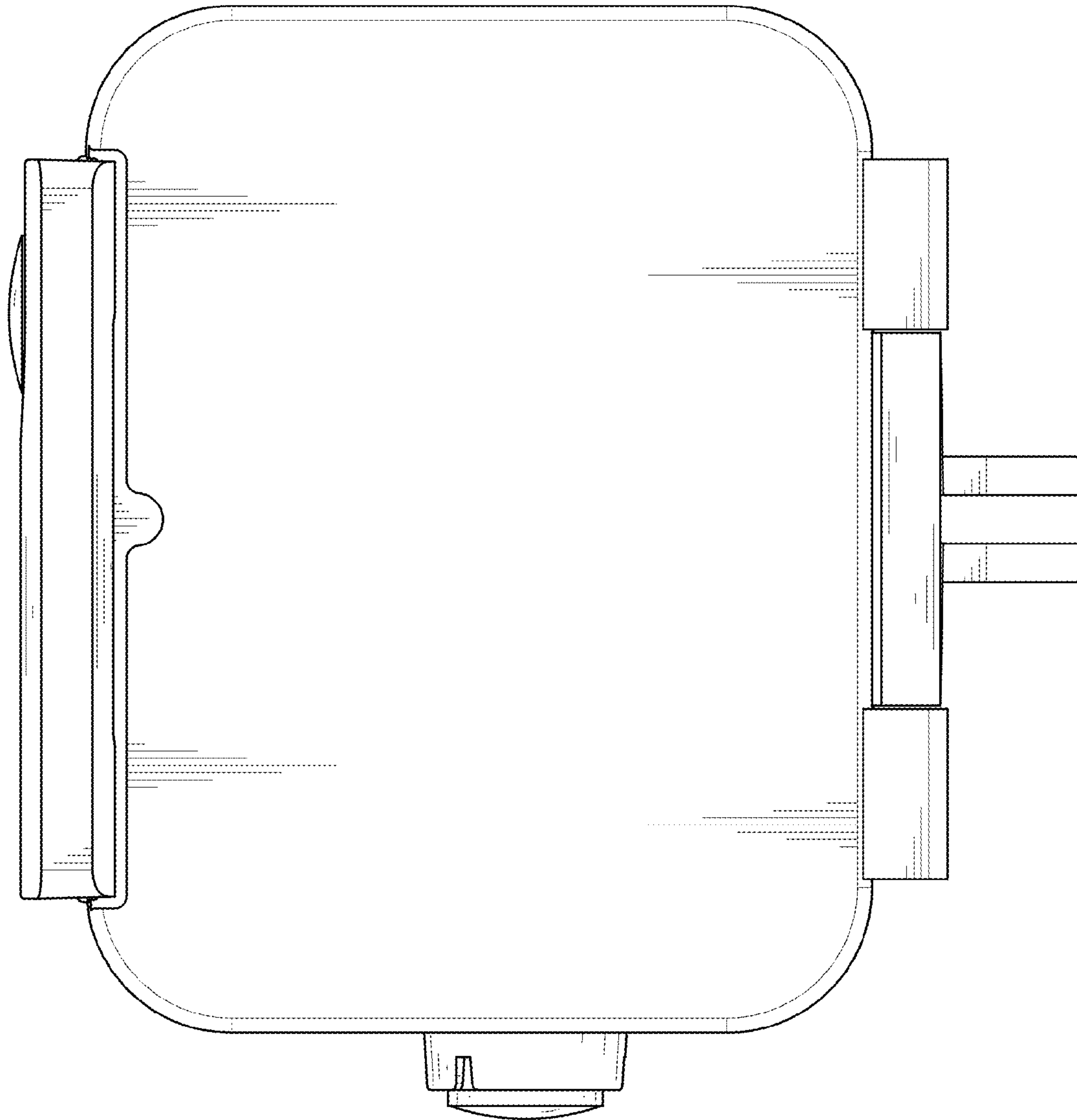


FIG. 4

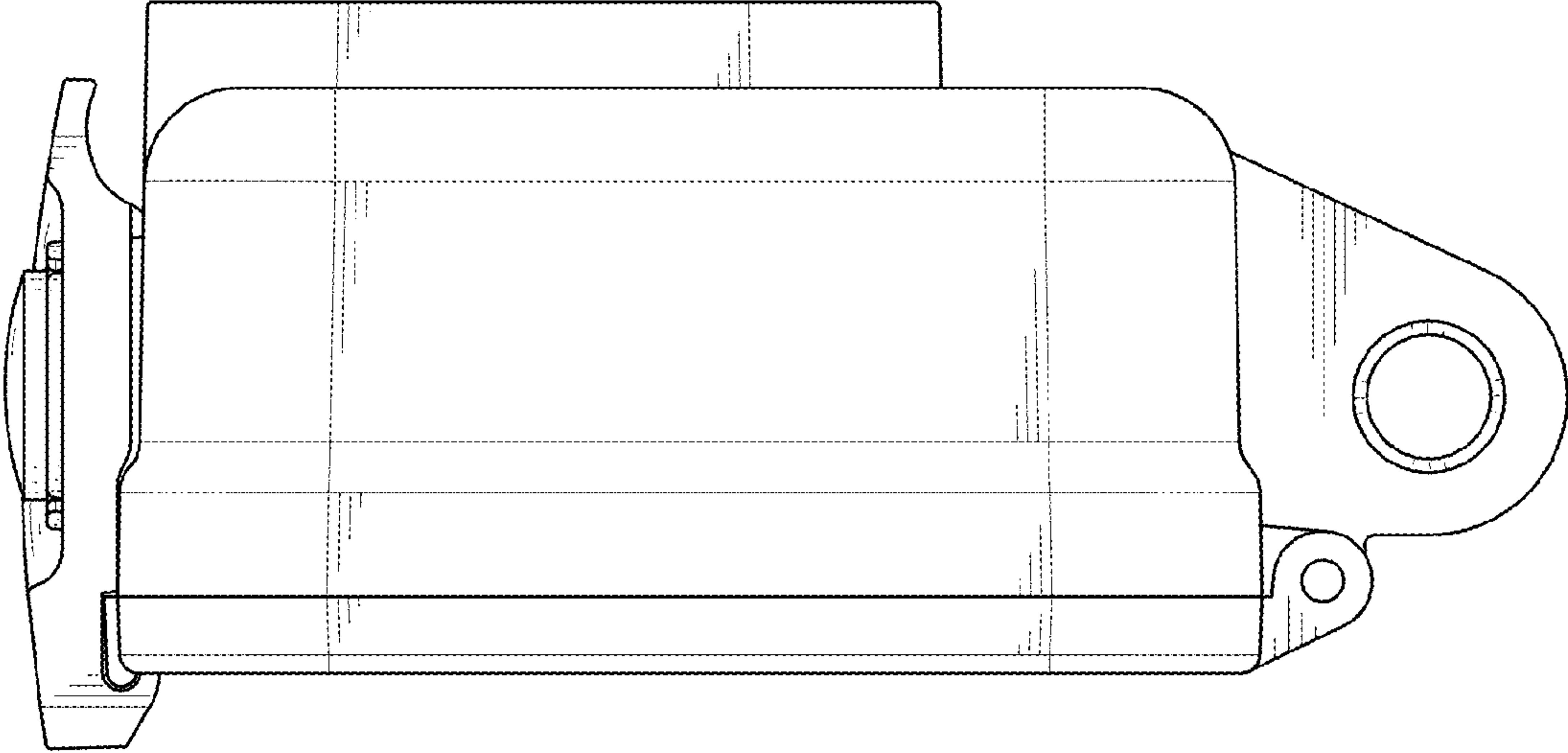


FIG. 5

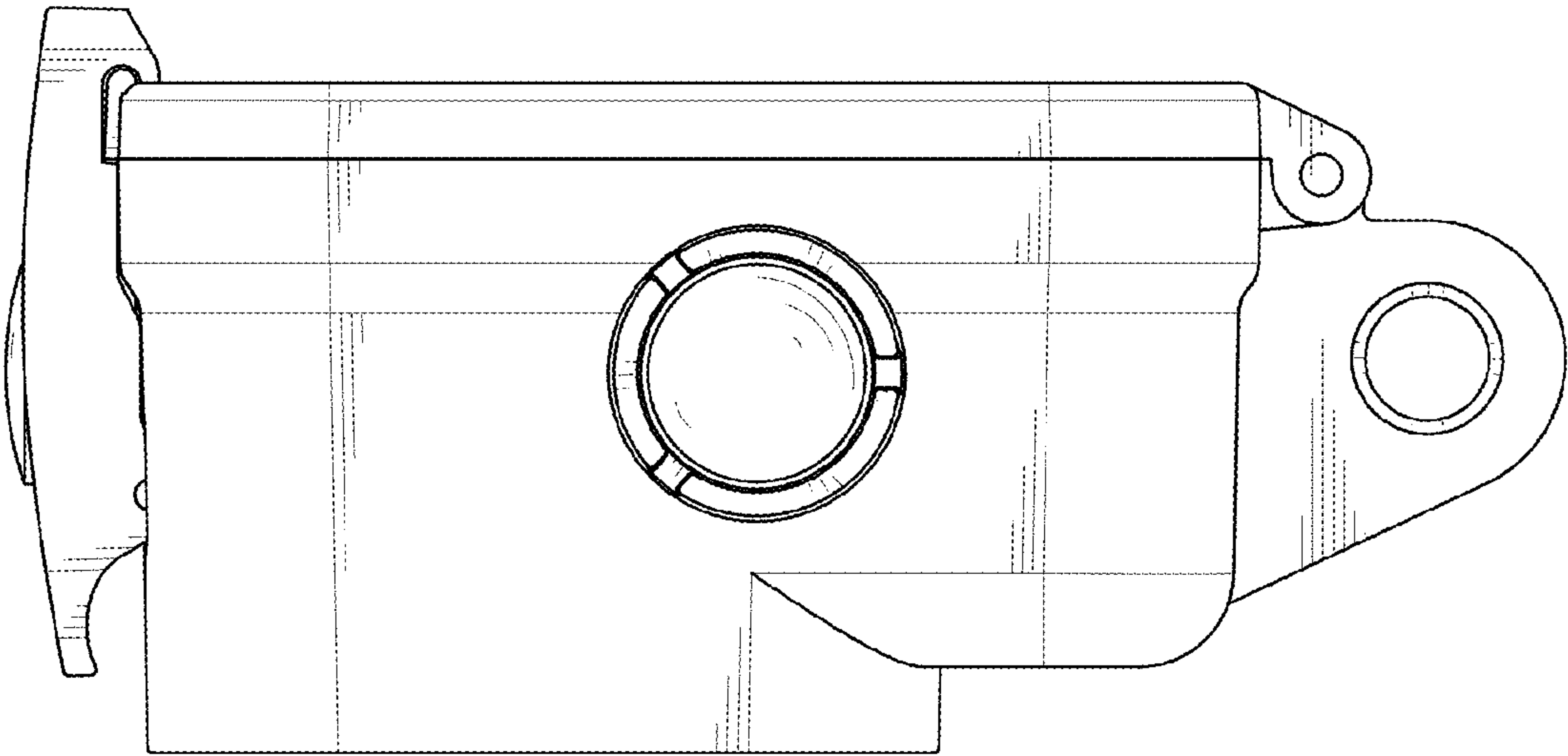


FIG. 6

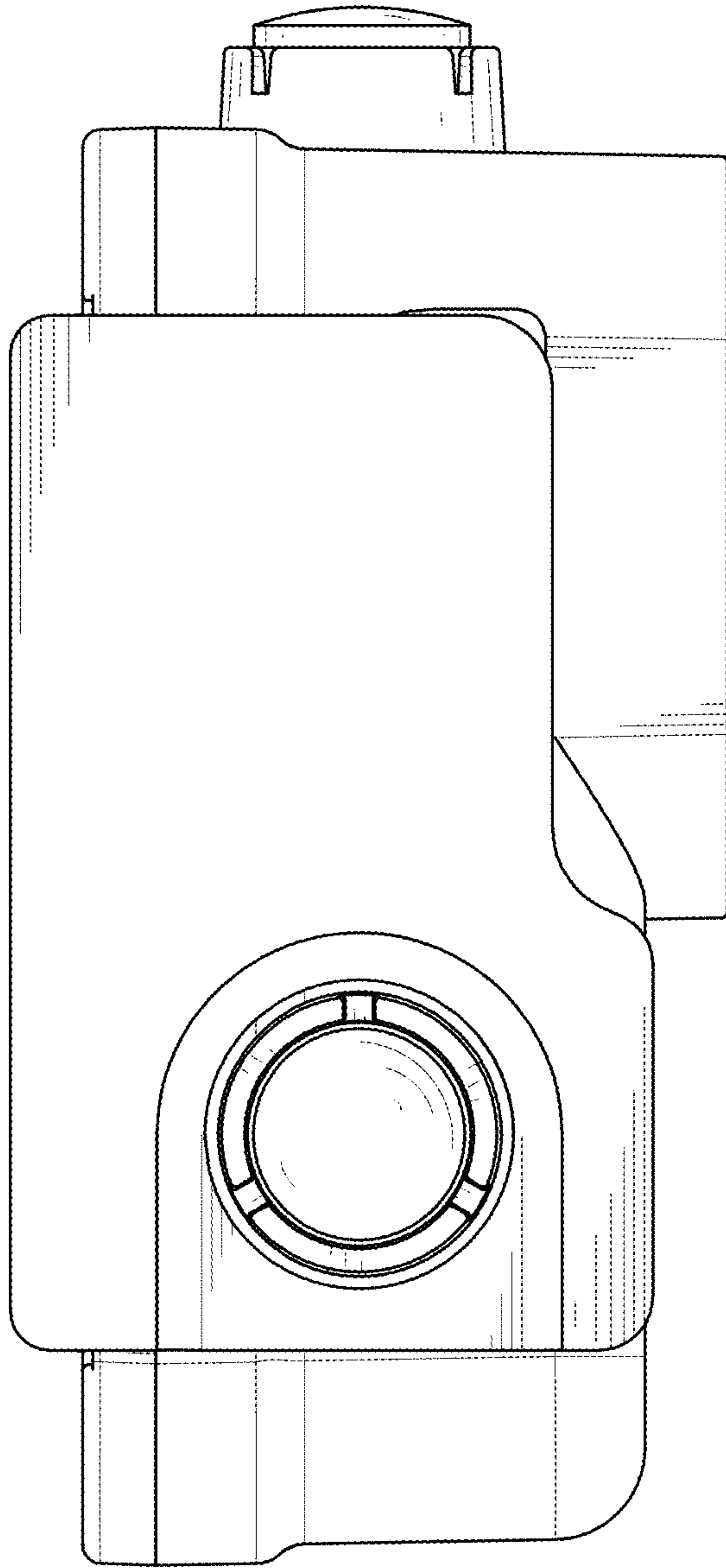


FIG. 7

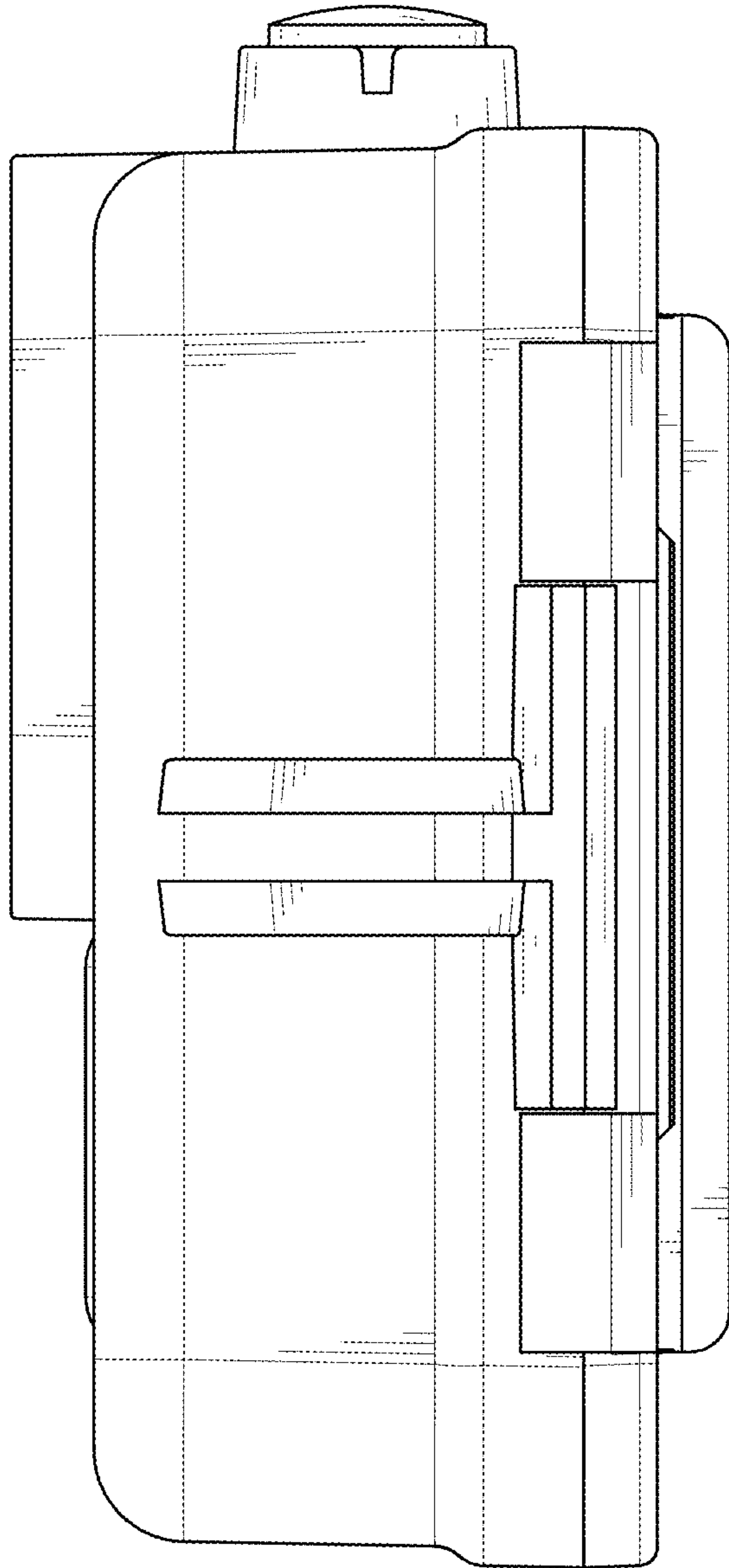


FIG. 8