



US00D943653S

(12) **United States Design Patent**
Shen-Levin

(10) **Patent No.:** **US D943,653 S**

(45) **Date of Patent:** **** Feb. 15, 2022**

(54) **DOUBLE SCOTCH YOKE ACTUATORS**

(71) Applicant: **Chun Shen-Levin**, Broken Arrow, OK
(US)

(72) Inventor: **Chun Shen-Levin**, Broken Arrow, OK
(US)

(73) Assignee: **Adqualve Flow Control Industry
Group Limited**, Broken Arrow, OK
(US)

(**) Term: **15 Years**

(21) Appl. No.: **29/721,000**

(22) Filed: **Jan. 17, 2020**

(51) **LOC (13) Cl.** **15-09**

(52) **U.S. Cl.**
USPC **D15/148**

(58) **Field of Classification Search**
USPC D15/148, 149
CPC H01H 47/22
See application file for complete search history.

(56) **References Cited**

U.S. PATENT DOCUMENTS

- 3,559,536 A * 2/1971 Mason F15B 15/065
91/409
- D494,659 S * 8/2004 Marinoni D15/143

- D629,872 S * 12/2010 Marinoni D23/249
- D785,686 S * 5/2017 Gong D15/148
- D785,687 S * 5/2017 Gong D15/148
- D810,798 S * 2/2018 Tabuchi D15/148
- D821,472 S * 6/2018 Ishikawa D15/149
- 2014/0260953 A1* 9/2014 Jaccoby F15B 15/1476
92/132
- 2014/0292114 A1* 10/2014 Bell H01H 47/22
310/23

* cited by examiner

Primary Examiner — Charles D Hanson

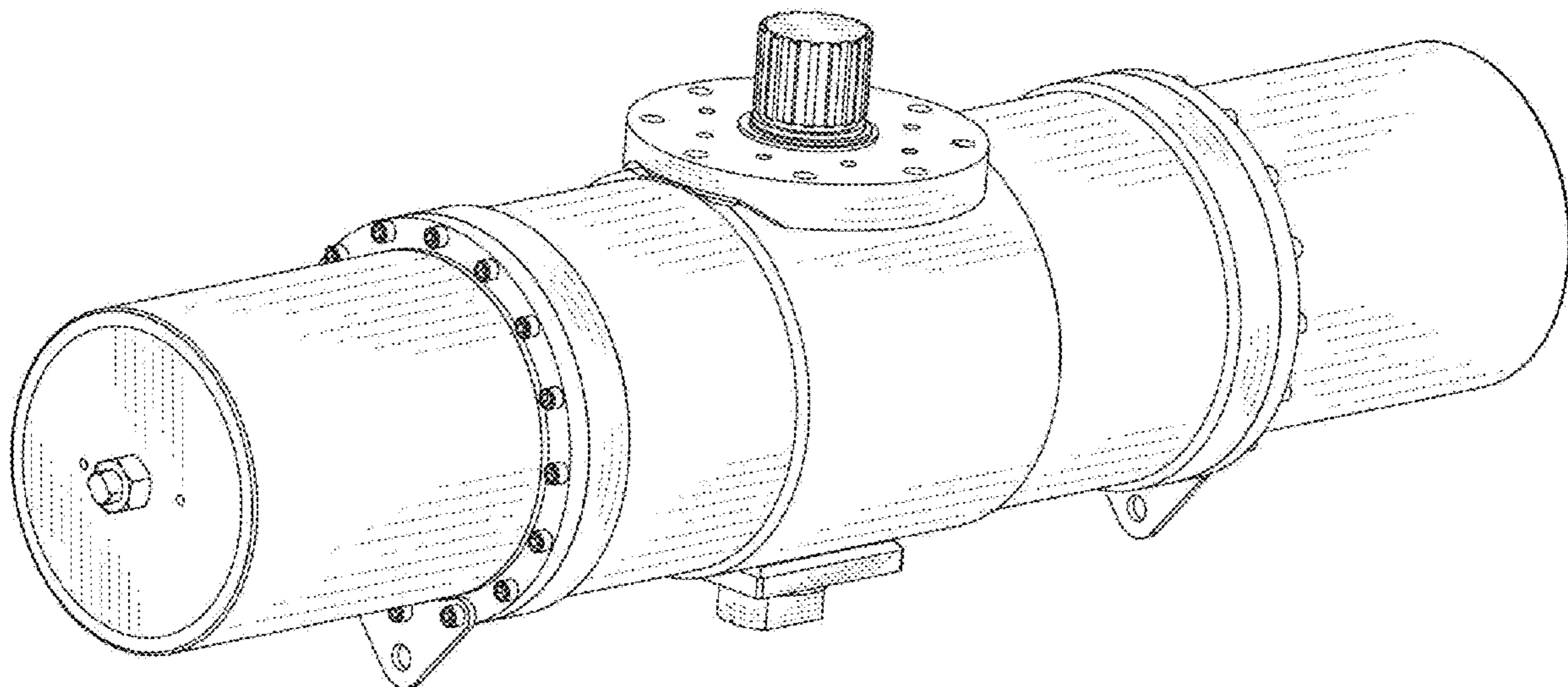
(57) **CLAIM**

The ornamental design for a double scotch yoke actuators, as shown and described.

DESCRIPTION

FIG. 1 is a perspective view of a double scotch yoke actuators showing my new design;
FIG. 2 is another perspective view thereof;
FIG. 3 is a front elevation view thereof;
FIG. 4 is a rear elevation view thereof;
FIG. 5 is a left side elevation view thereof;
FIG. 6 is a right side elevation view thereof;
FIG. 7 is a top plan view thereof; and,
FIG. 8 is a bottom plan view thereof.

1 Claim, 8 Drawing Sheets



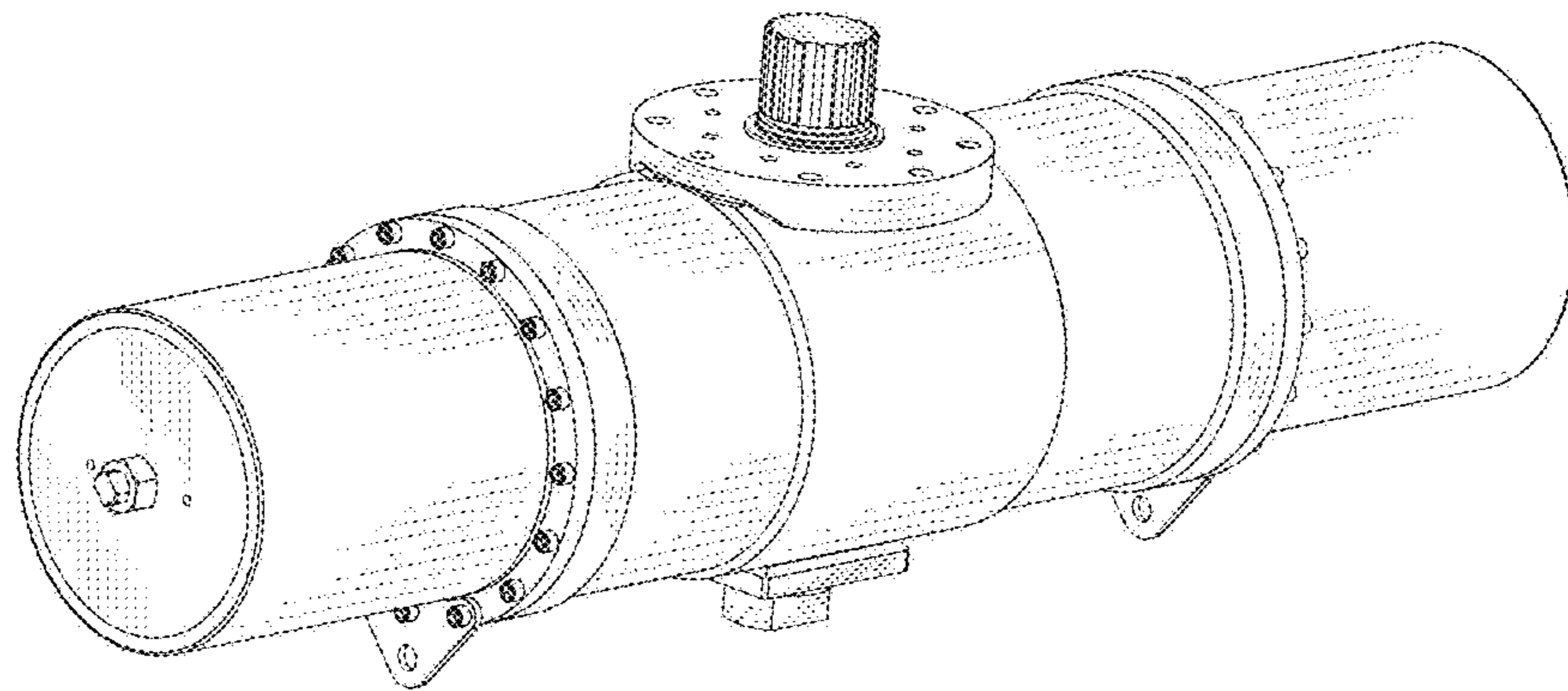


FIG.1

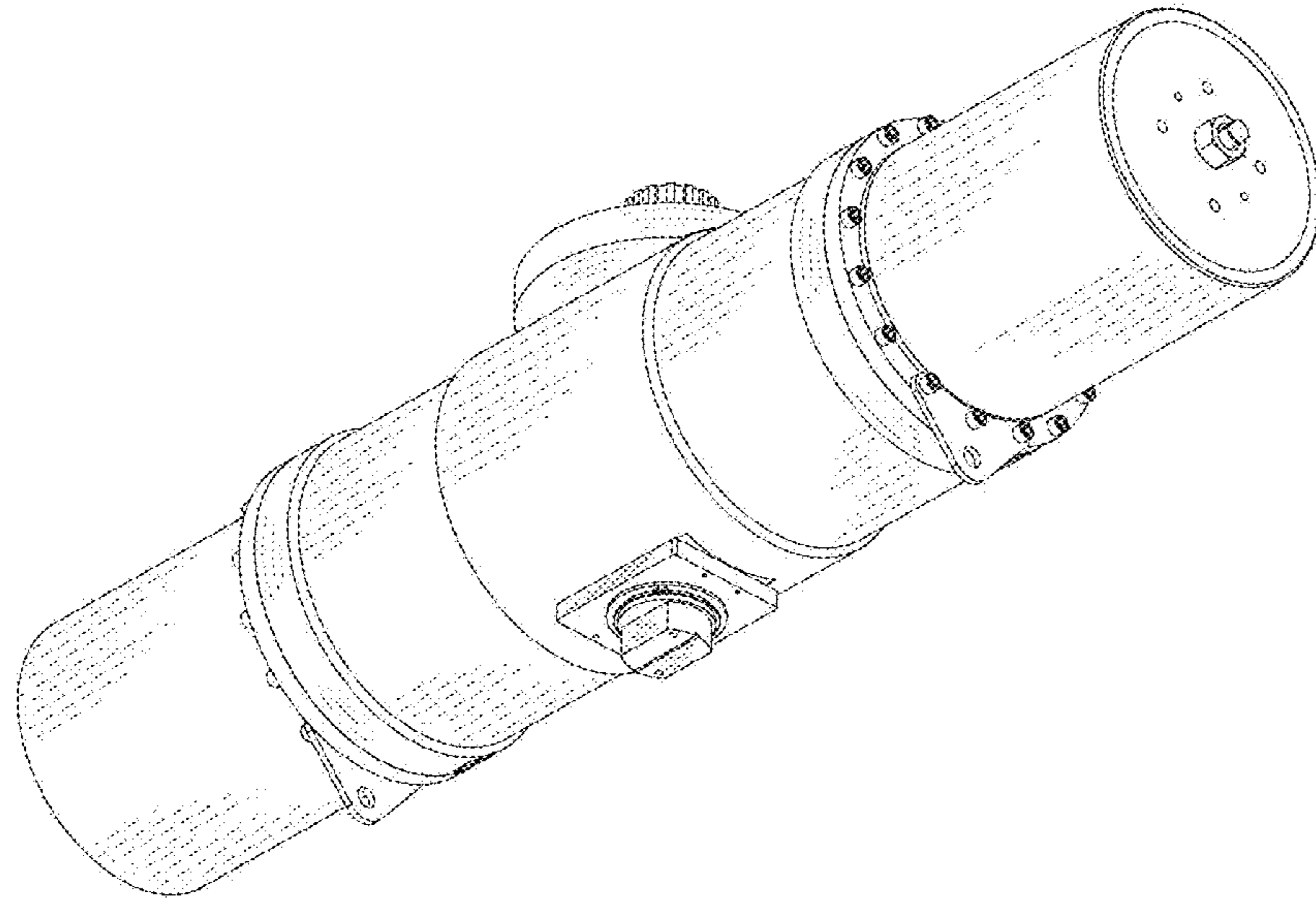


FIG.2

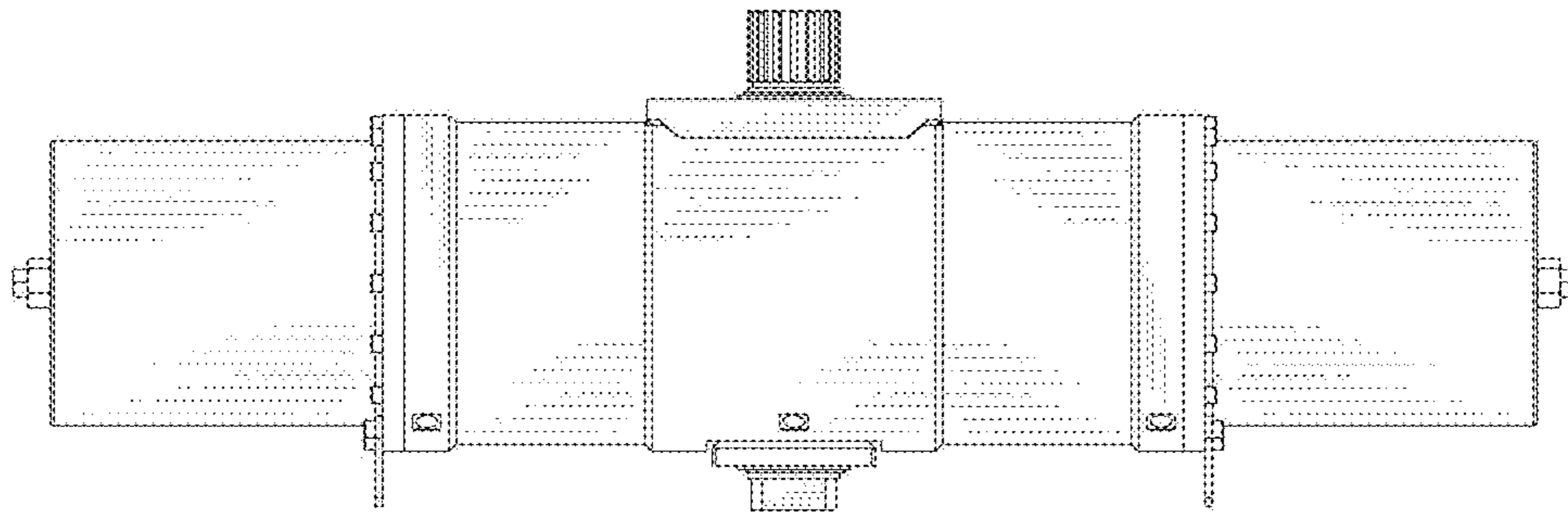


FIG.3

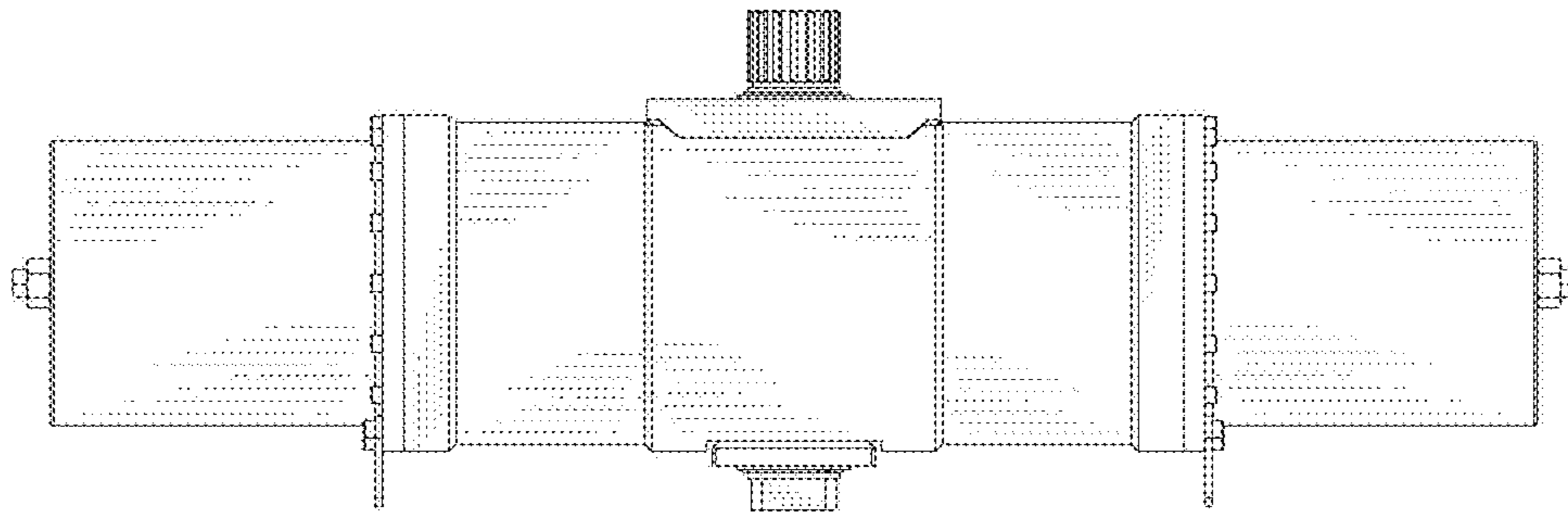


FIG.4

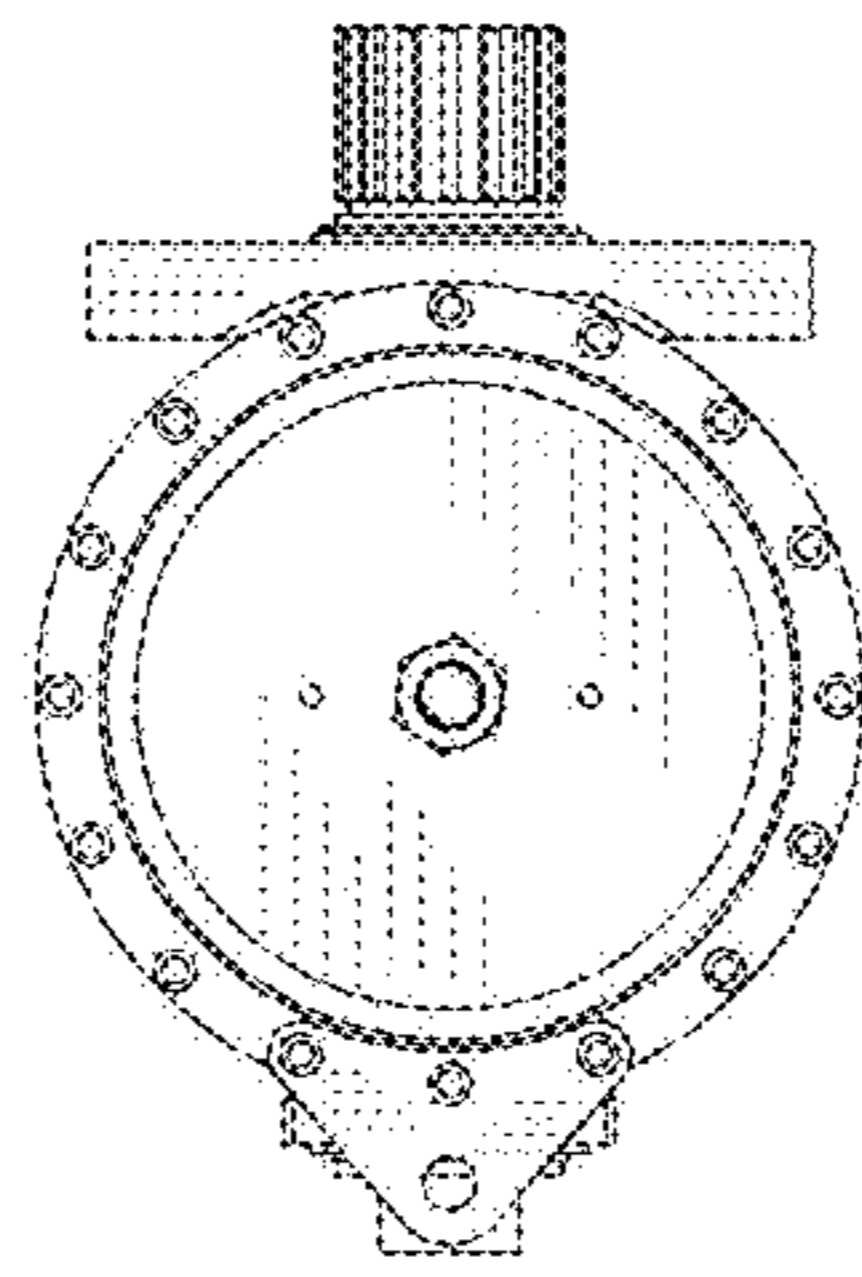


FIG.5

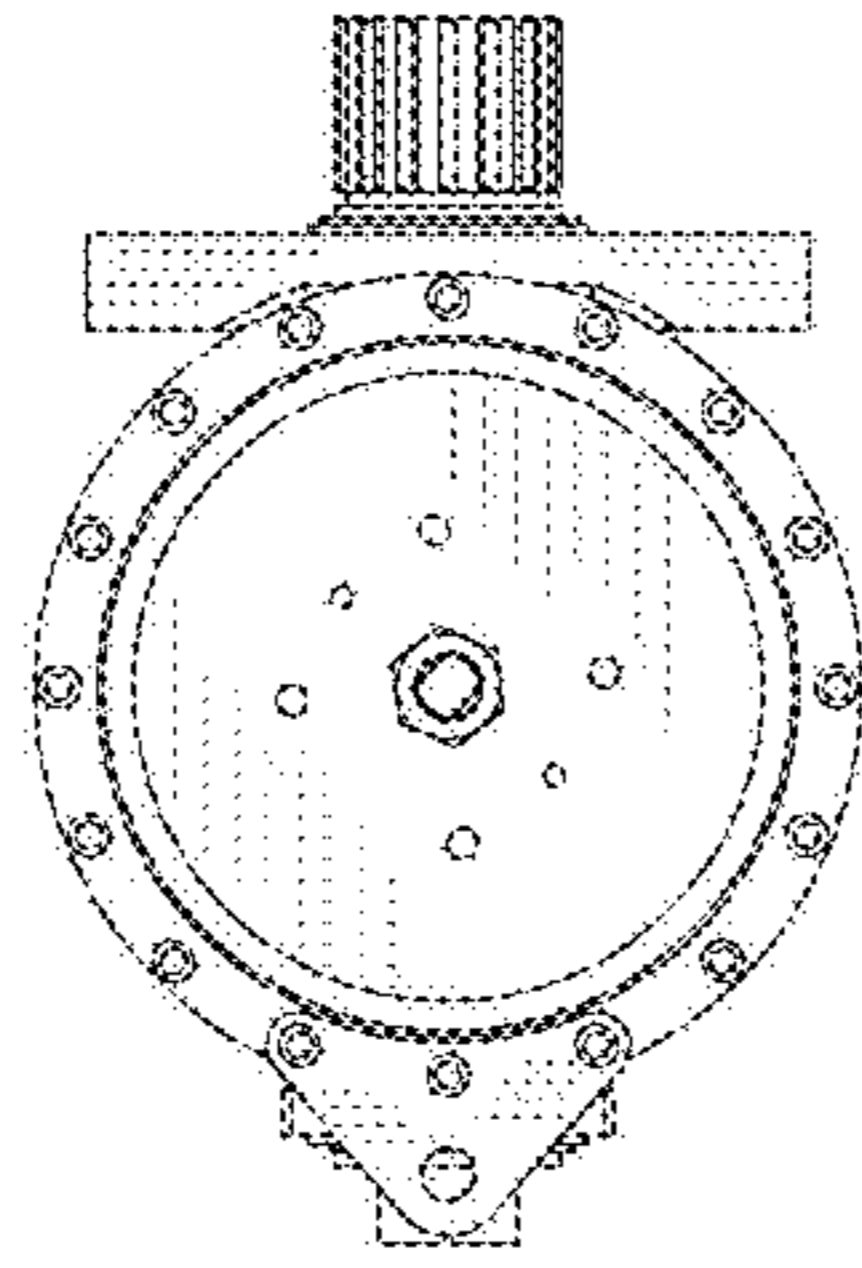


FIG.6

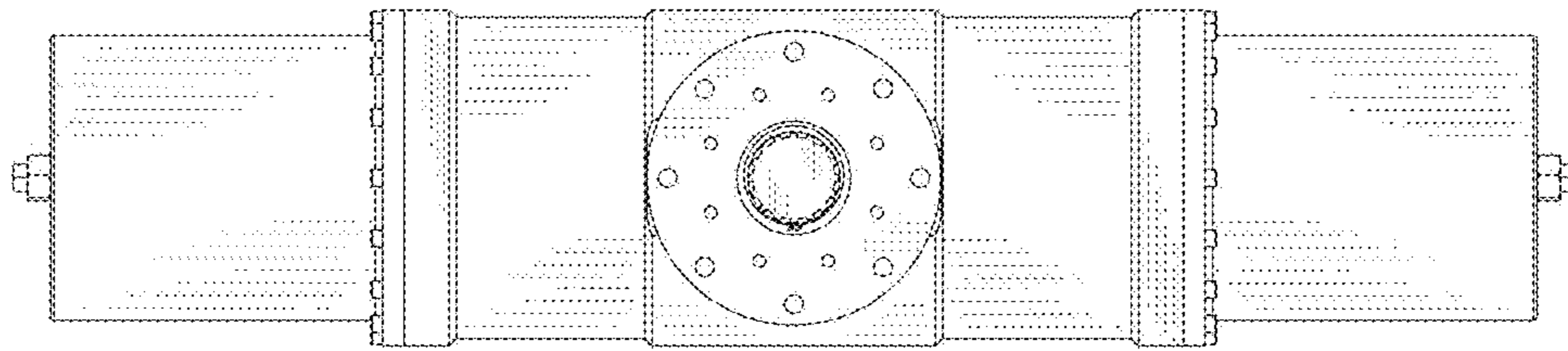


FIG. 7

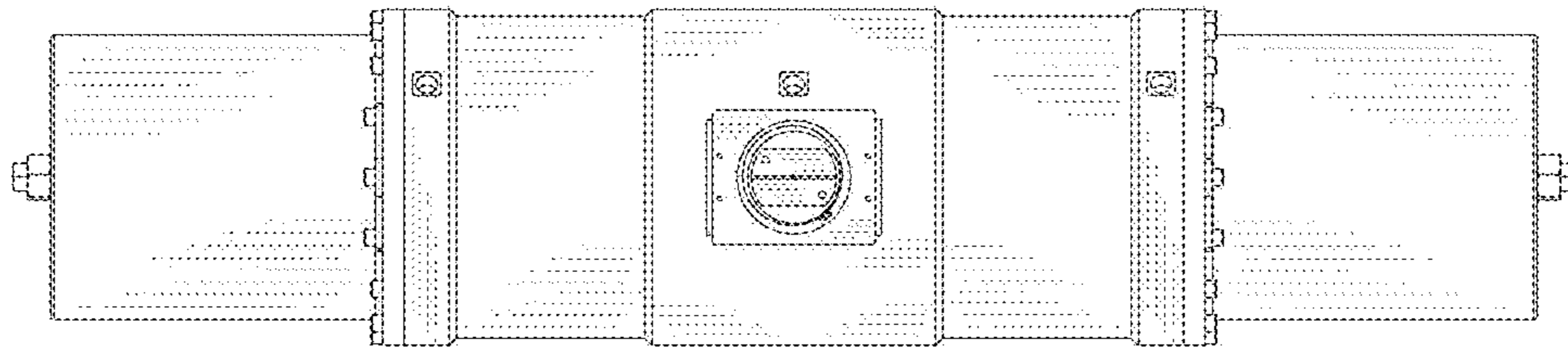


FIG. 8