



US00D943649S

(12) **United States Design Patent**
Wang

(10) **Patent No.:** **US D943,649 S**
(45) **Date of Patent:** **** Feb. 15, 2022**

(54) **DUST COLLECTION COVER OF DRUM SANDER**

(71) Applicant: **MAO SHAN MACHINERY INDUSTRIAL CO., LTD.**, Taichung (TW)

(72) Inventor: **Long-Wei Wang**, Taichung (TW)

(73) Assignee: **Mao Shan Machinery Industrial Co., Ltd.**, Taichung (TW)

(**) Term: **15 Years**

(21) Appl. No.: **29/745,371**

(22) Filed: **Aug. 5, 2020**

(51) **LOC (13) Cl.** **15-09**

(52) **U.S. Cl.**
USPC **D15/138**

(58) **Field of Classification Search**
USPC D8/62, 70; D15/122, 124, 132, 133, 138; D32/74
CPC B24B 55/04; B24B 55/05; B24B 55/06; B24B 55/05; B24D 9/006
See application file for complete search history.

(56) **References Cited**

U.S. PATENT DOCUMENTS

- 4,062,152 A * 12/1977 Mehrer B24B 55/06 451/344
- 4,720,940 A * 1/1988 Green B24B 41/047 144/1.1
- 4,991,358 A * 2/1991 Giebmanns B23Q 11/08 451/218
- D573,615 S * 7/2008 McDaniel D15/138
- D606,716 S * 12/2009 Crevling, Jr. D32/32
- D627,798 S * 11/2010 Berning D15/28
- D677,029 S * 2/2013 Cleary D32/31
- D795,317 S * 8/2017 Wenning D15/138
- D803,916 S * 11/2017 Dammkoehler D15/138

- D818,506 S * 5/2018 Myers B24B 55/06 D15/138
- 10,759,021 B2 * 9/2020 Myers B24B 55/06
- D924,513 S * 7/2021 Owens D32/33
- 2002/0025767 A1 * 2/2002 Chen B24B 55/06 451/259
- 2005/0071947 A1 * 4/2005 Yarbrough B24B 55/06 15/353
- 2008/0200104 A1 * 8/2008 Chuang B24B 55/06 451/456

(Continued)

FOREIGN PATENT DOCUMENTS

- EP 3851005 A1 * 7/2021 A47L 5/365
- WO WO-2019037512 A1 * 2/2019 B24B 41/06

Primary Examiner — Patricia A Palasik

(74) *Attorney, Agent, or Firm* — Muncy, Geissler, Olds & Lowe, P.C/.

(57) **CLAIM**

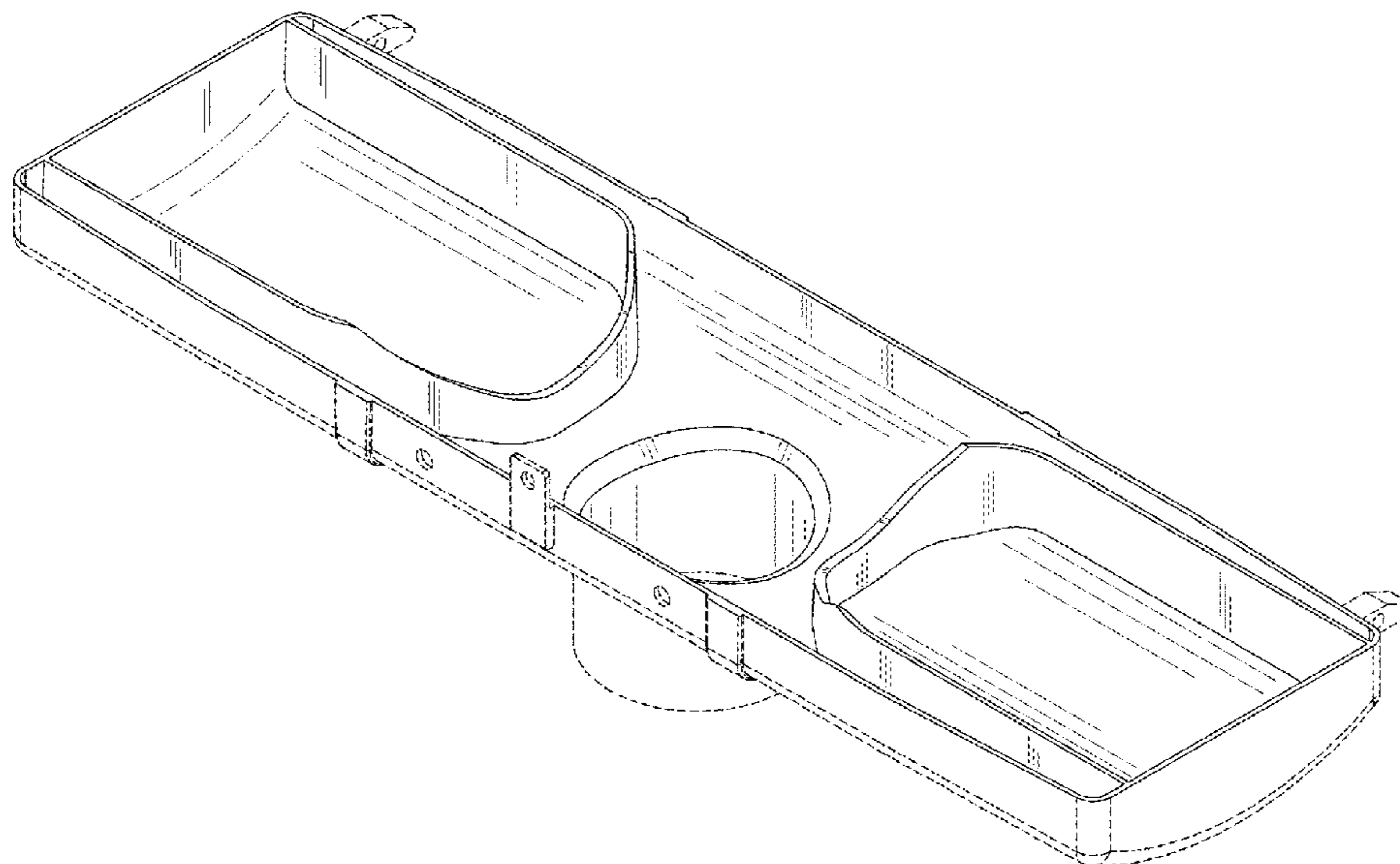
I claim the ornamental design for a dust collection cover of drum sander, as shown and described.

DESCRIPTION

FIG. 1 is a top, front, right perspective view of a dust collection cover of drum sander showing my new design; FIG. 2 is a front elevational view thereof; FIG. 3 is a rear elevational view thereof; FIG. 4 is a left side view thereof; FIG. 5 is a right side view thereof; FIG. 6 is a top plan view thereof; FIG. 7 is a bottom plan view thereof; FIG. 8 is a bottom, rear, right perspective view thereof; and, FIG. 9 is a perspective view showing the dust collection cover of drum sander in use.

The broken lines in the drawings illustrate portions of the dust collection cover of drum sander which form no part of the claimed design.

1 Claim, 8 Drawing Sheets



(56)

References Cited

U.S. PATENT DOCUMENTS

2009/0181606 A1* 7/2009 Loveless B23Q 11/0046
451/456
2010/0048110 A1* 2/2010 Yin B23Q 11/0046
451/456
2014/0187128 A1* 7/2014 Vogtmann B24B 9/065
451/456
2018/0369986 A1* 12/2018 Myers B24B 55/06
2019/0047116 A1* 2/2019 Kakefuda B24B 41/068
2021/0187694 A1* 6/2021 Wang B24B 27/0007

* cited by examiner

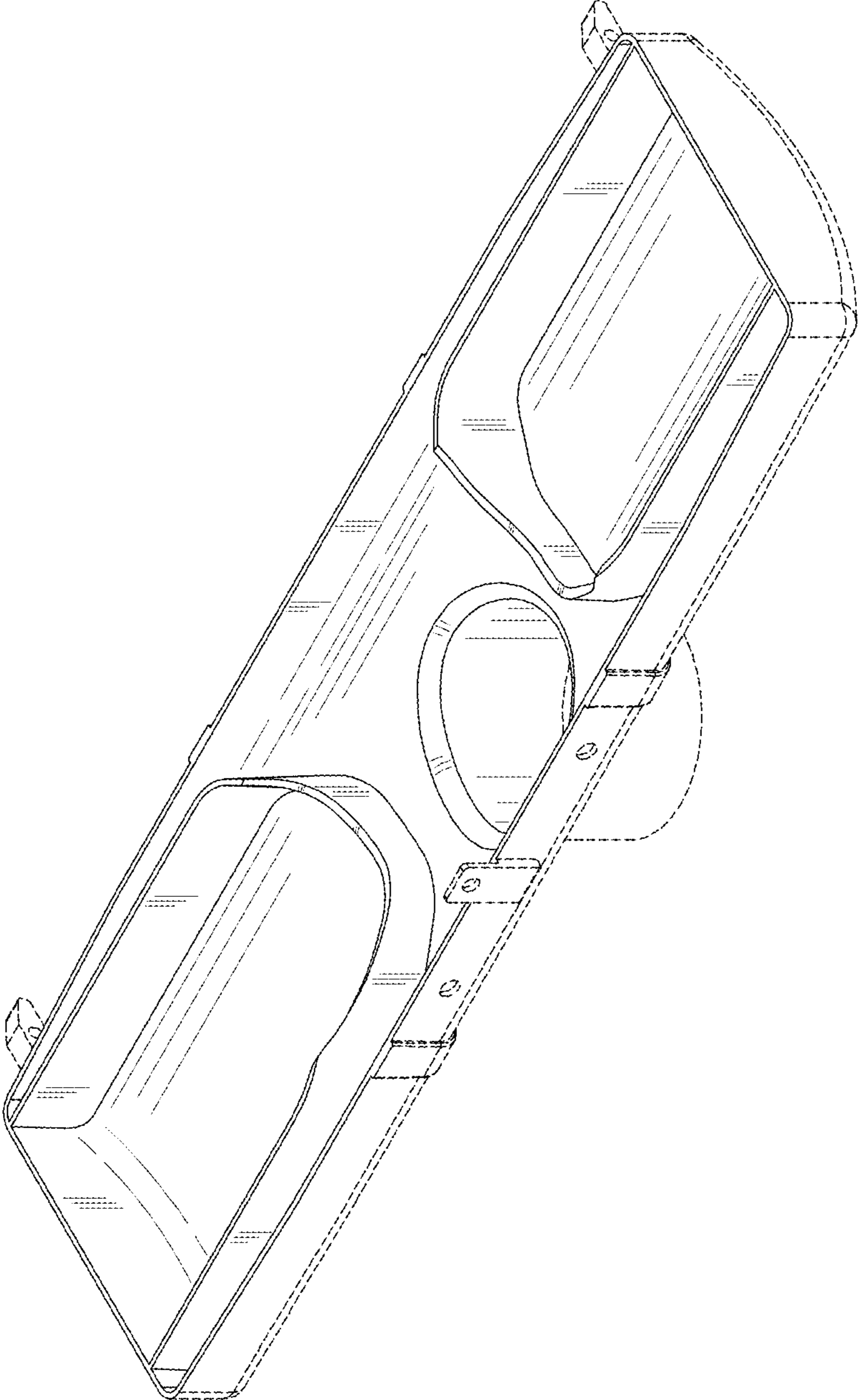


FIG. 1

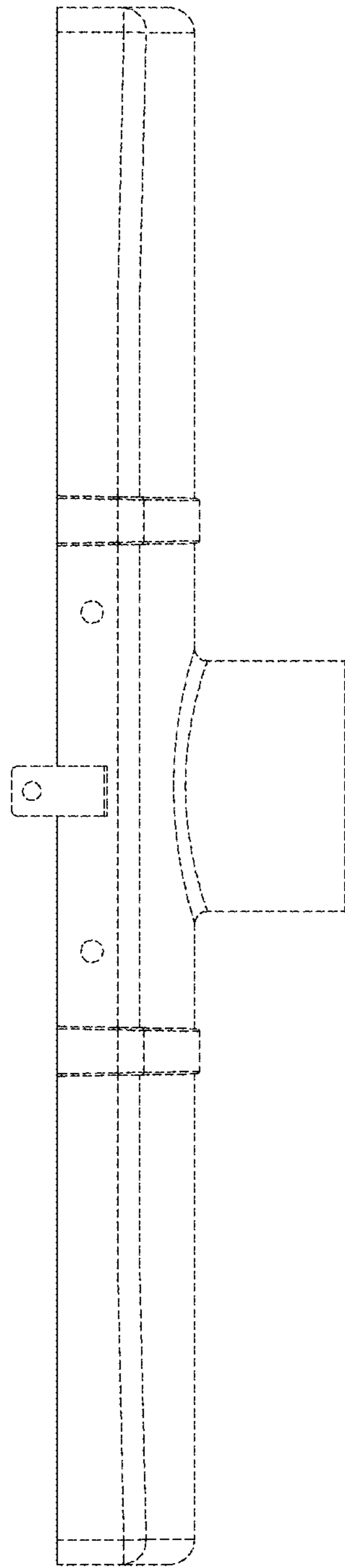


FIG. 2

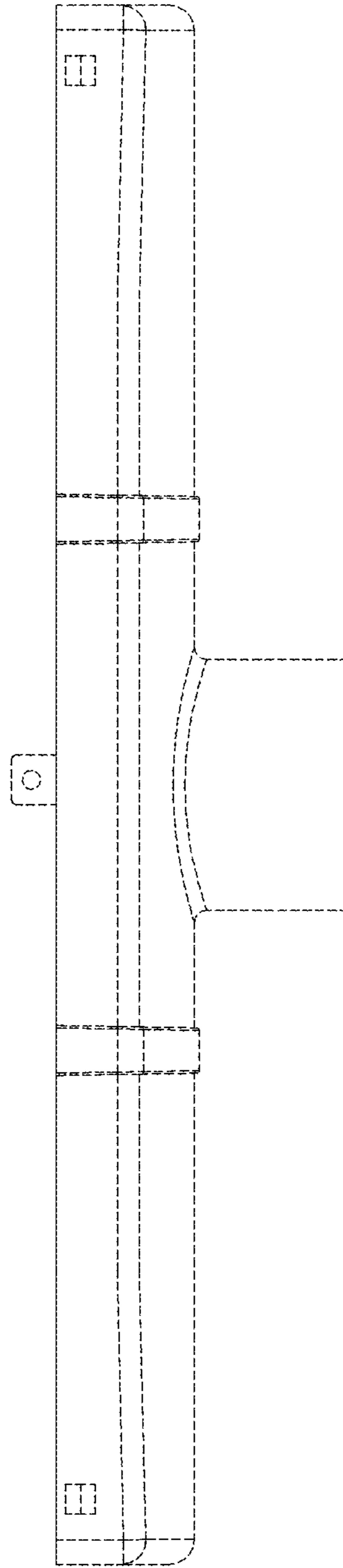


FIG. 3

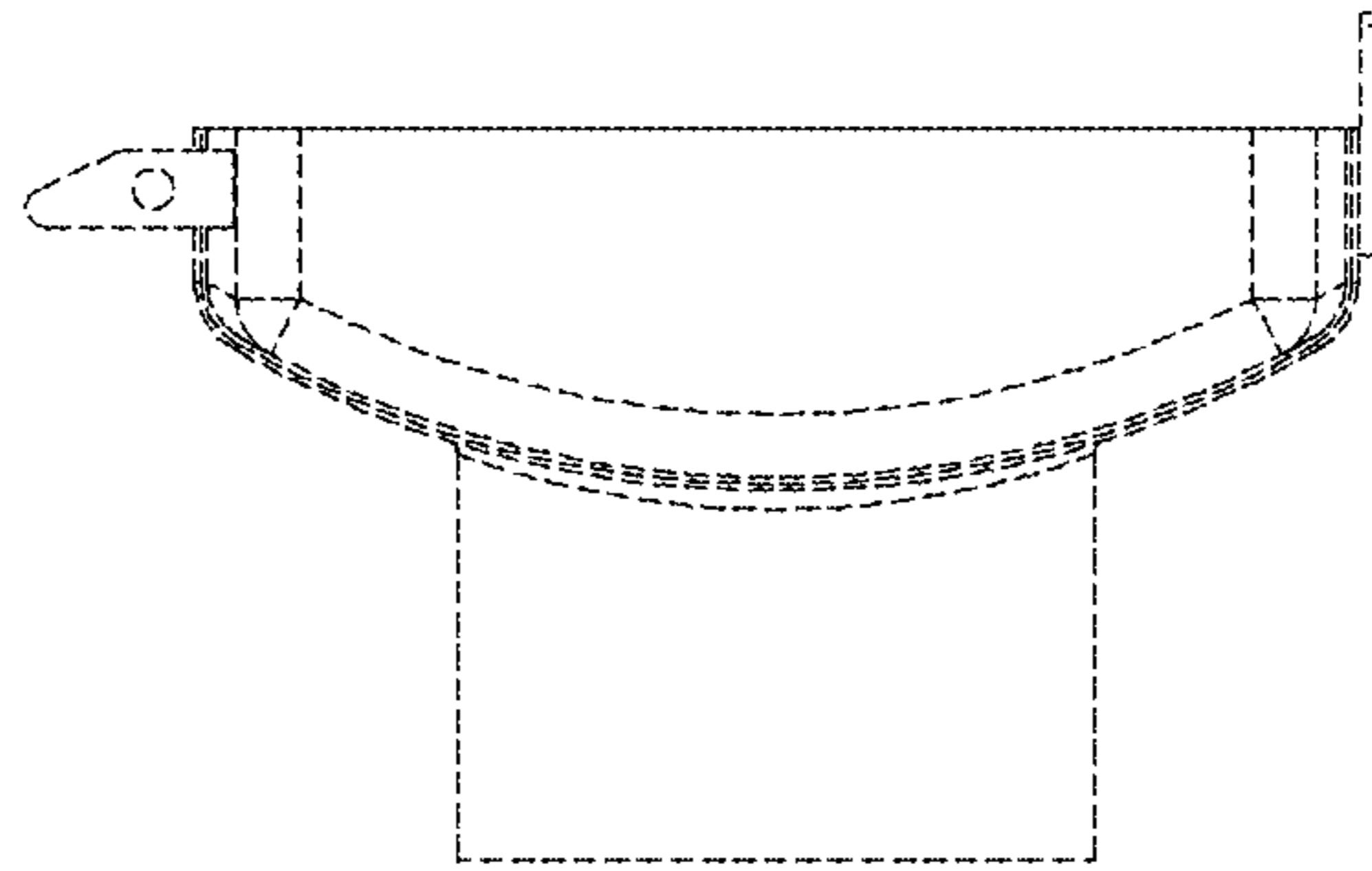


FIG. 4

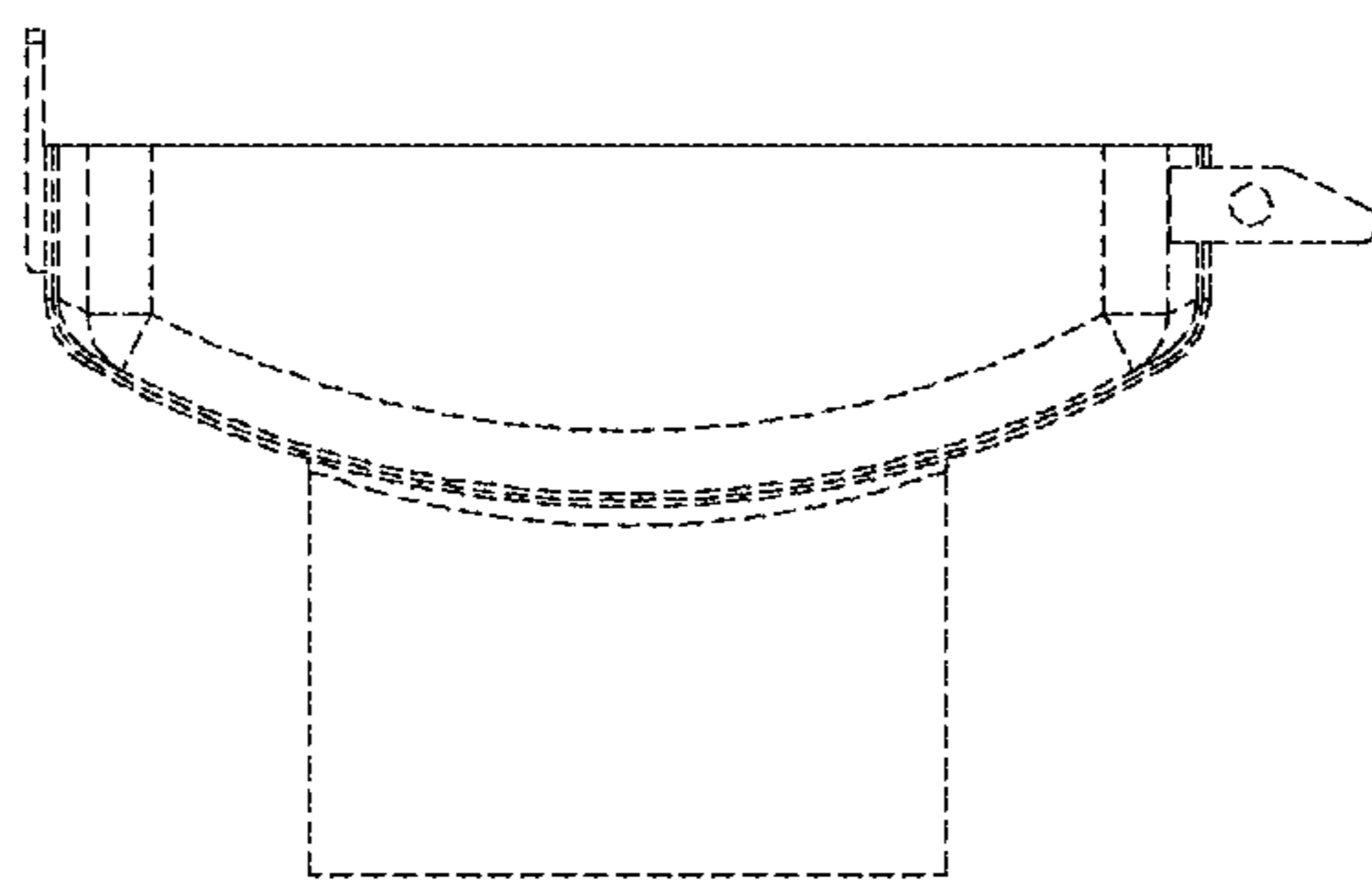


FIG. 5

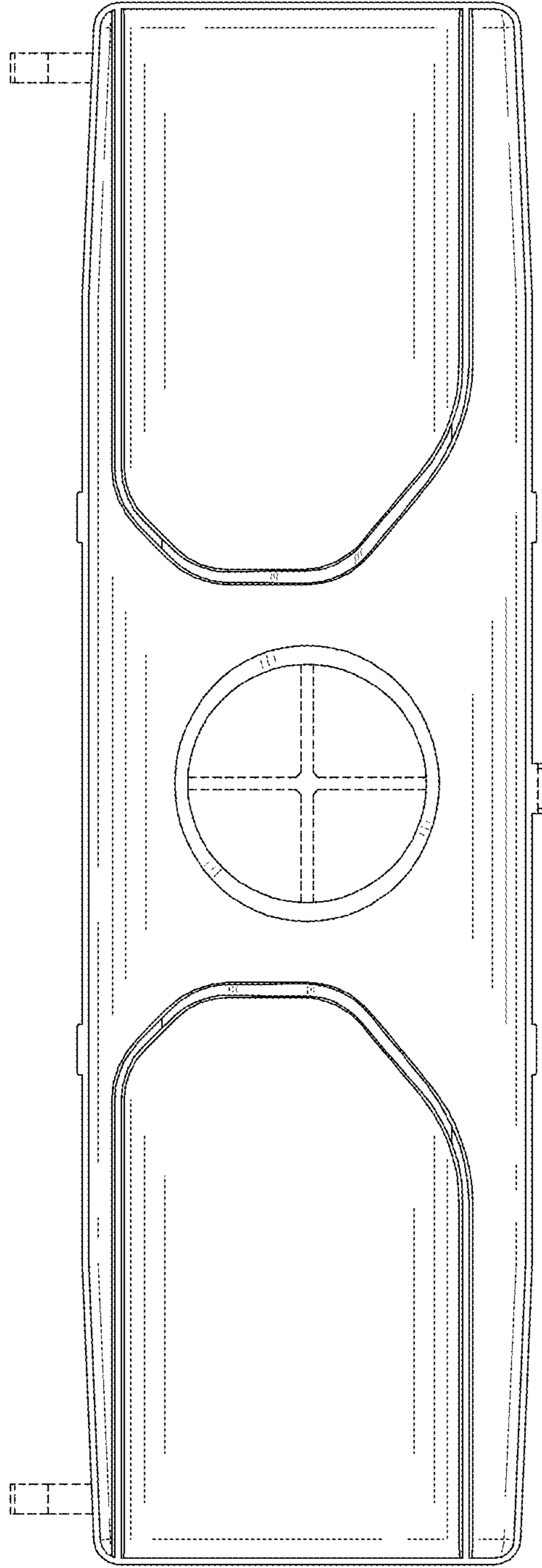


FIG. 6

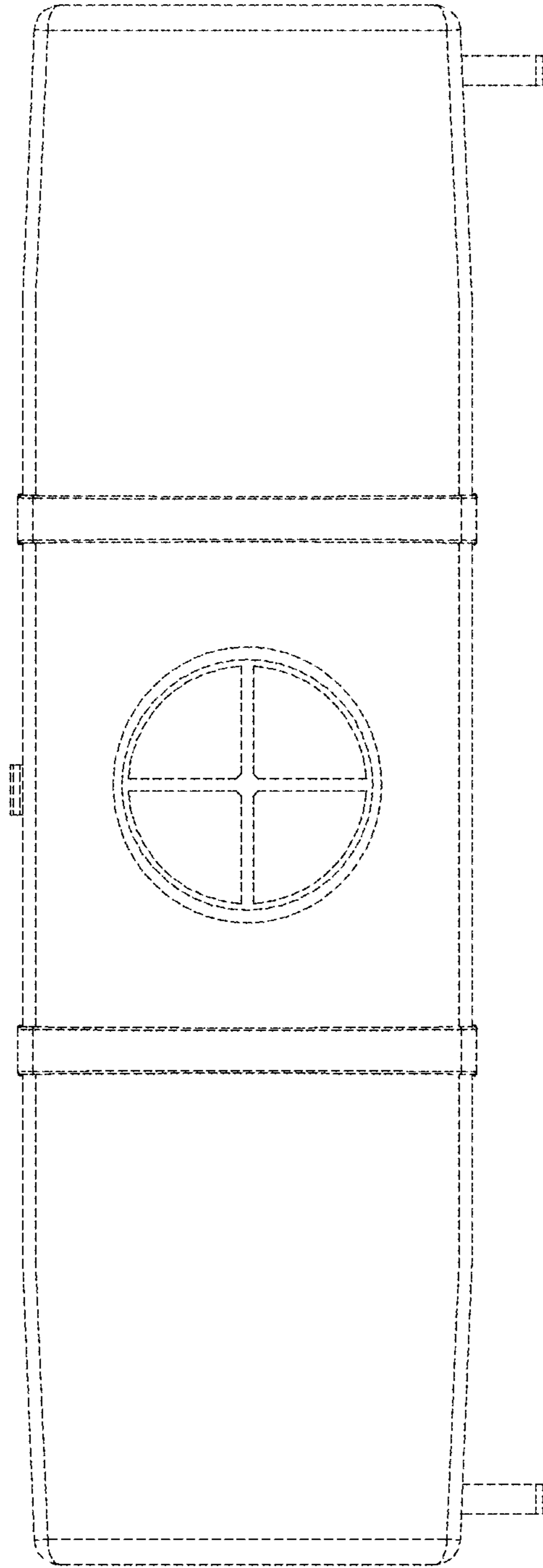


FIG. 7

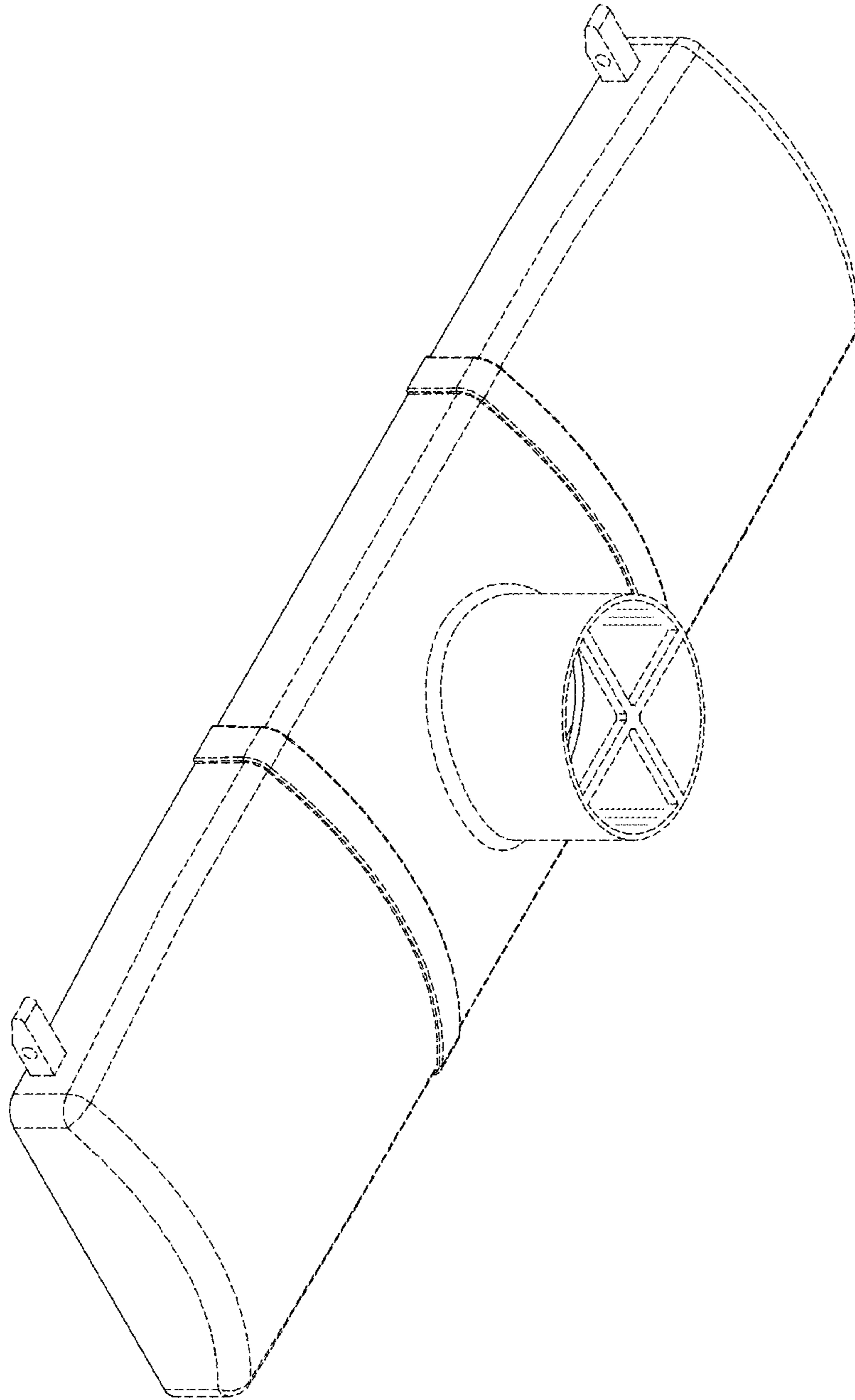


FIG. 8

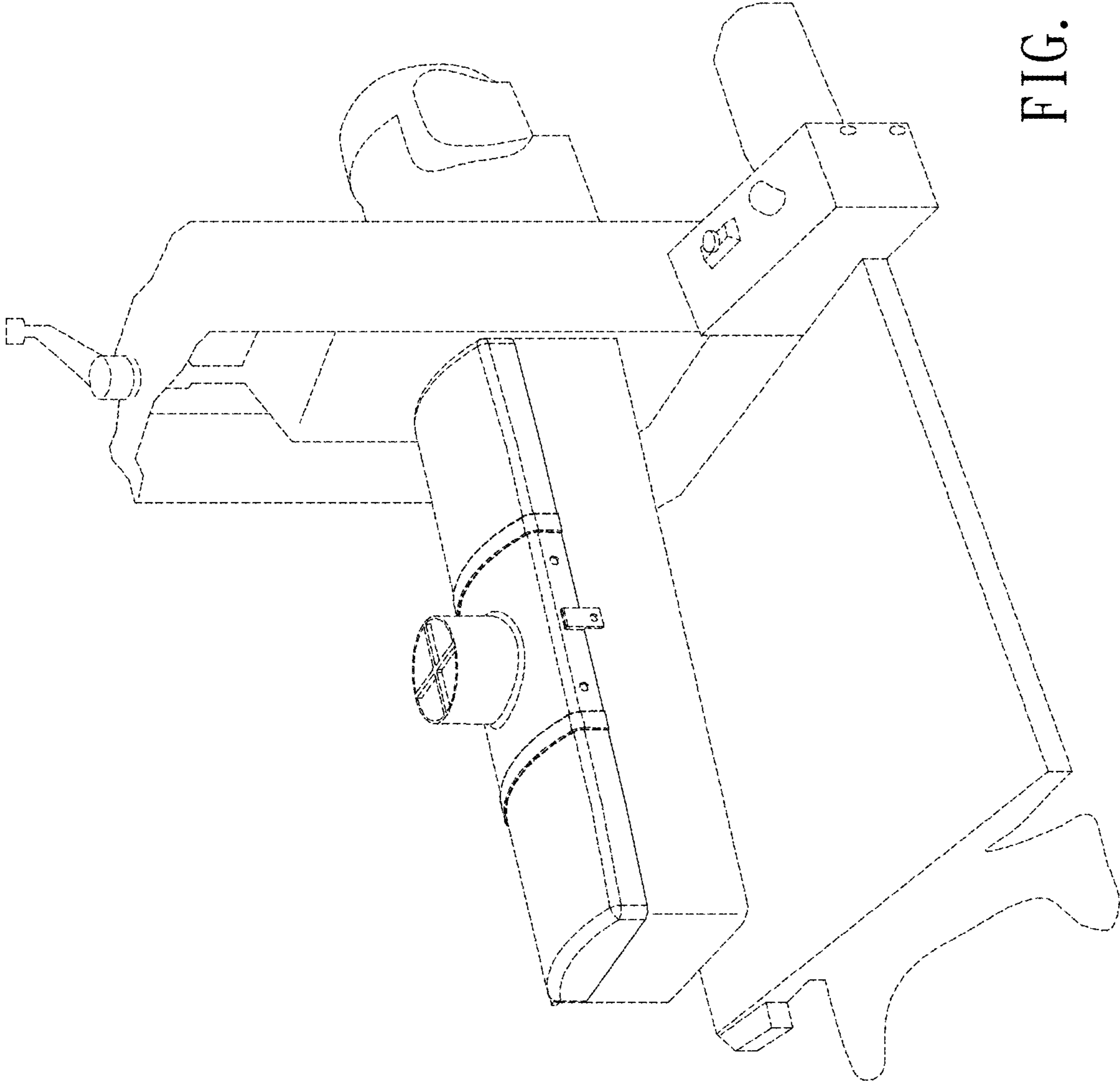


FIG. 9