



US00D943647S

(12) **United States Design Patent** (10) **Patent No.:** **US D943,647 S**  
**Gallo** (45) **Date of Patent:** **\*\* Feb. 15, 2022**

(54) **SORTING MACHINE**  
(71) Applicant: **TRUMPF GmbH + Co. KG**, Ditzingen (DE)  
(72) Inventor: **Dina Gallo**, Stuttgart (DE)  
(73) Assignee: **TRUMPF GmbH + Co. KG**, Ditzingen (DE)  
(\*\*) Term: **15 Years**  
(21) Appl. No.: **29/733,487**  
(22) Filed: **May 4, 2020**

(30) **Foreign Application Priority Data**  
Nov. 4, 2019 (CN) ..... 201930604026.0  
(51) **LOC (13) Cl.** ..... **15-09**  
(52) **U.S. Cl.**  
USPC ..... **D15/127**; D15/122  
(58) **Field of Classification Search**  
USPC ..... D15/122, 127, 138  
CPC ..... B07C 5/10; B07C 5/342; Y10S 209/904;  
Y10S 209/907; Y10S 209/922; Y10S  
209/923; Y10S 209/929  
See application file for complete search history.

(56) **References Cited**  
U.S. PATENT DOCUMENTS  
1,411,169 A \* 3/1922 Ehrman ..... B23Q 7/12  
209/617  
3,743,093 A \* 7/1973 Klancnik ..... B07C 5/083  
209/549  
D276,529 S \* 11/1984 Campbell, Jr. .... D15/127  
D289,406 S \* 4/1987 Shibayama ..... D15/122  
D292,003 S \* 9/1987 Imaizumi ..... D15/122  
5,132,510 A \* 7/1992 Klingel ..... B23K 26/0853  
219/121.82  
5,227,606 A \* 7/1993 Weeks ..... B23K 26/123  
219/121.67  
D603,431 S \* 11/2009 Masauji ..... D15/122

D717,840 S \* 11/2014 Schonherr ..... D15/122  
D745,071 S \* 12/2015 Schonherr ..... D15/122  
D753,733 S \* 4/2016 Schonherr ..... D15/122  
D755,861 S \* 5/2016 Schonherr ..... D15/122  
D798,917 S \* 10/2017 Gallo ..... D15/122  
D870,166 S \* 12/2019 Gallo ..... D15/127  
D896,288 S \* 9/2020 Jiang ..... D15/122  
10,835,928 B2 \* 11/2020 Bellar ..... G06K 9/00  
2003/0034336 A1 \* 2/2003 Erlenmaier ..... B23K 26/0892  
219/121.67  
2007/0000888 A1 \* 1/2007 Yamazaki ..... B23K 26/1482  
219/121.78  
2013/0146509 A1 \* 6/2013 Soler Esteban ..... B07C 5/342  
209/3.1

\* cited by examiner

*Primary Examiner* — Patricia A Palasik  
(74) *Attorney, Agent, or Firm* — Fish & Richardson P.C.

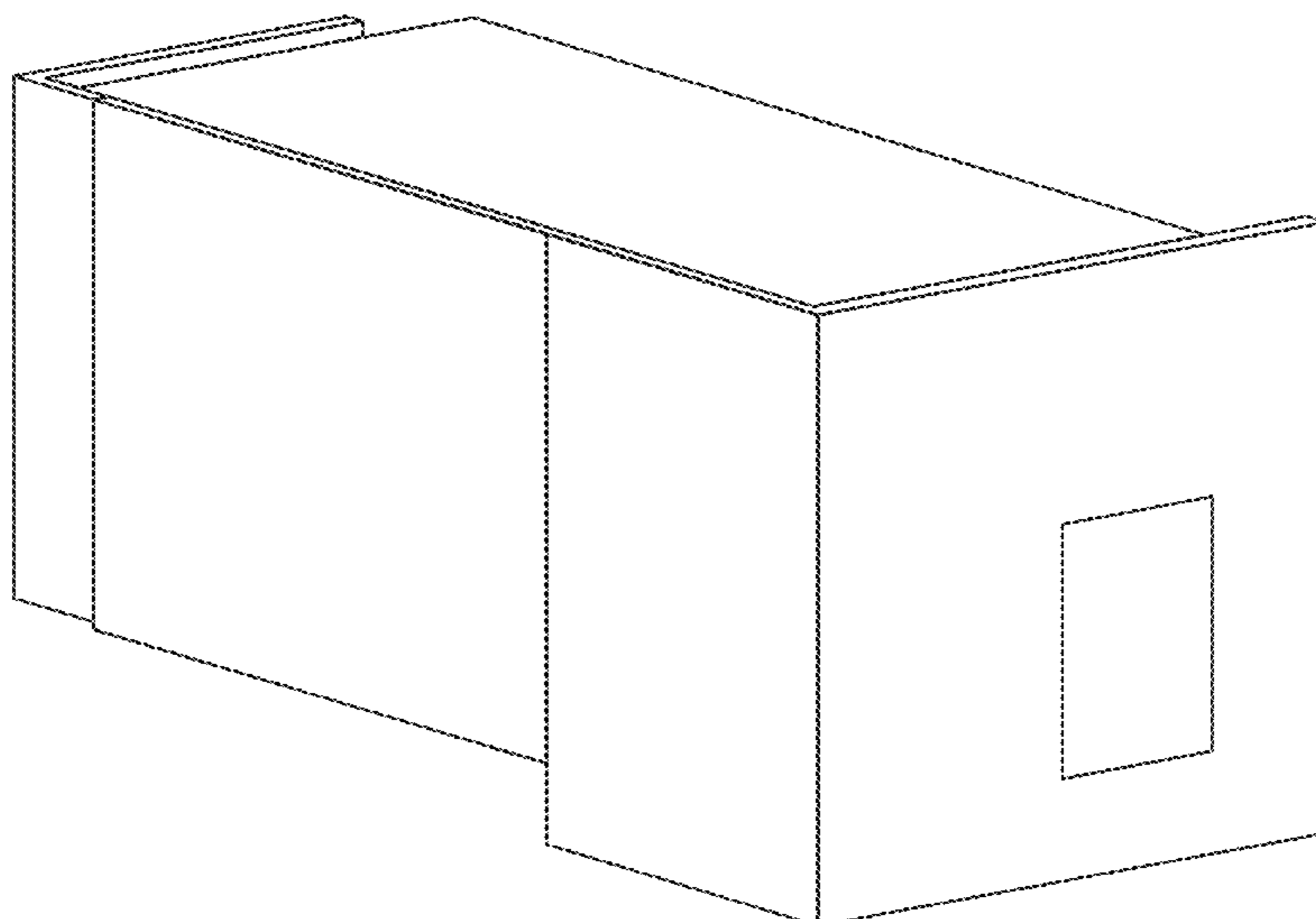
(57) **CLAIM**

The ornamental design for a sorting machine, as shown and described.

**DESCRIPTION**

FIG. 1 is a top perspective view of a sorting machine.  
FIG. 2 is a front view thereof.  
FIG. 3 is a back perspective view thereof.  
FIG. 4 is a left side view thereof.  
FIG. 5 is a right side view thereof.  
FIG. 6 is a top view thereof.  
FIG. 7 is a bottom view thereof.  
FIG. 8 is a top perspective view of the sorting machine mounted on a laser processing machine, in an open condition; and,  
FIG. 9 is a top perspective view of the sorting machine mounted on a laser processing machine, in a closed condition.  
The broken lines illustrate environmental features that form no part of the claimed design.

**1 Claim, 9 Drawing Sheets**



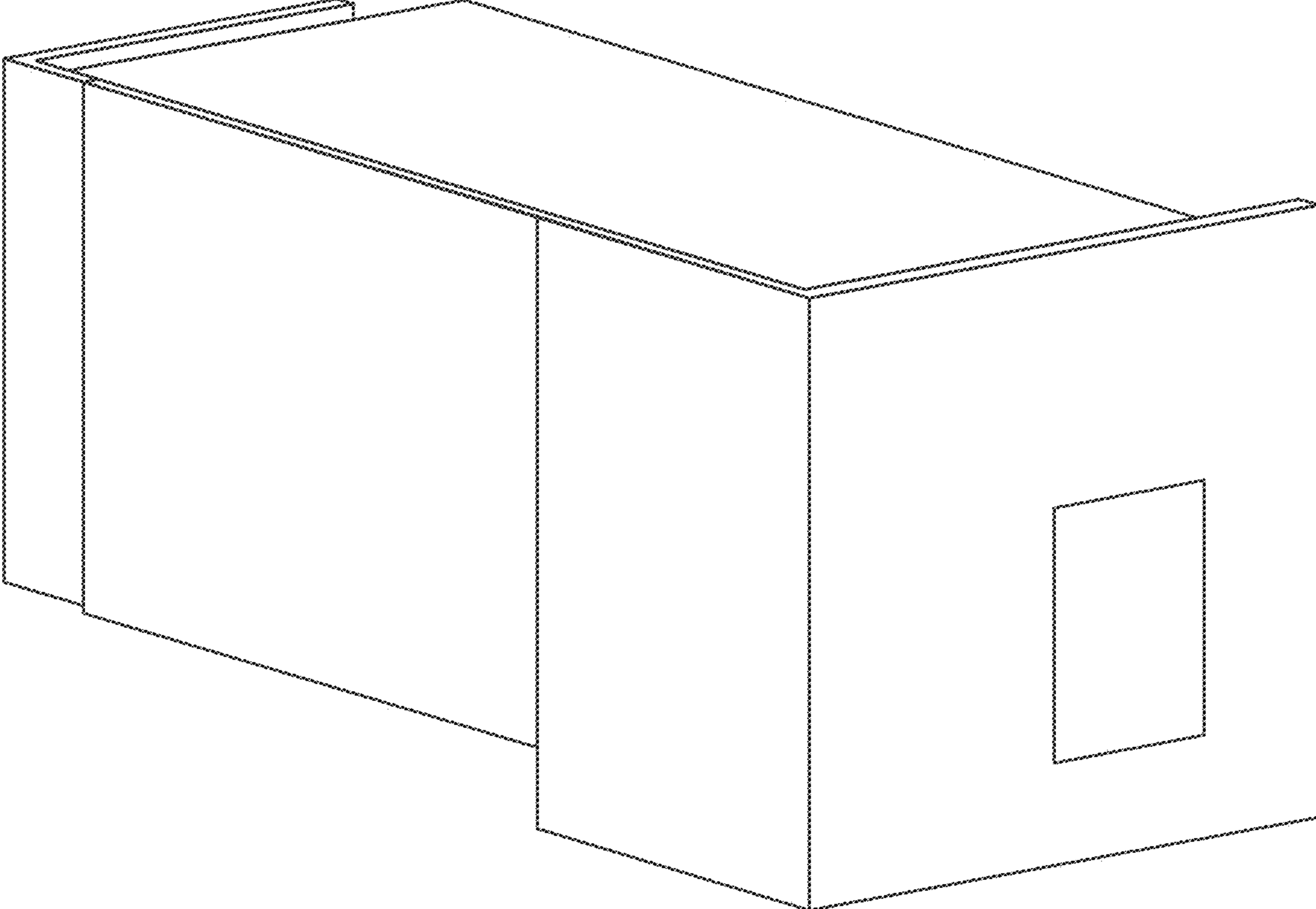


FIG. 1

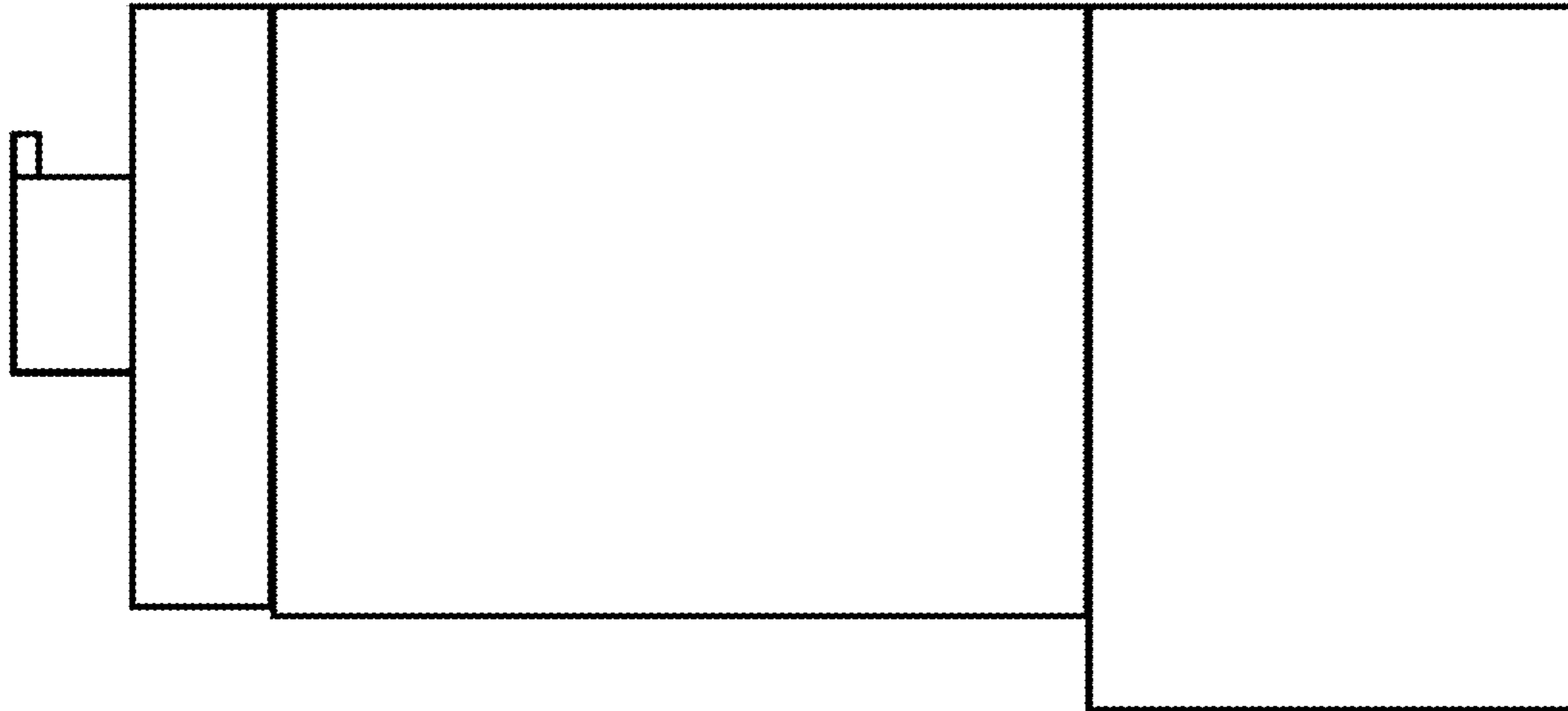


FIG. 2

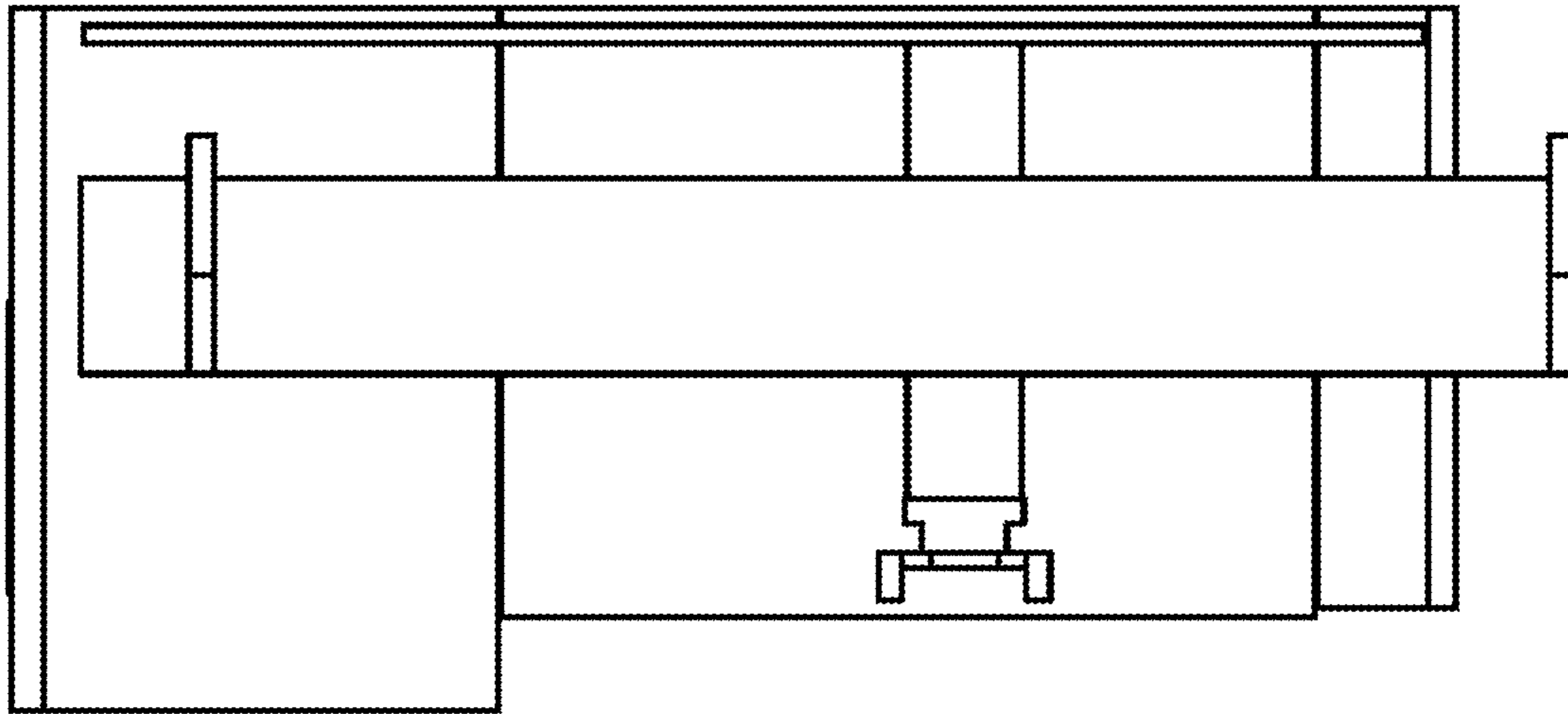


FIG. 3

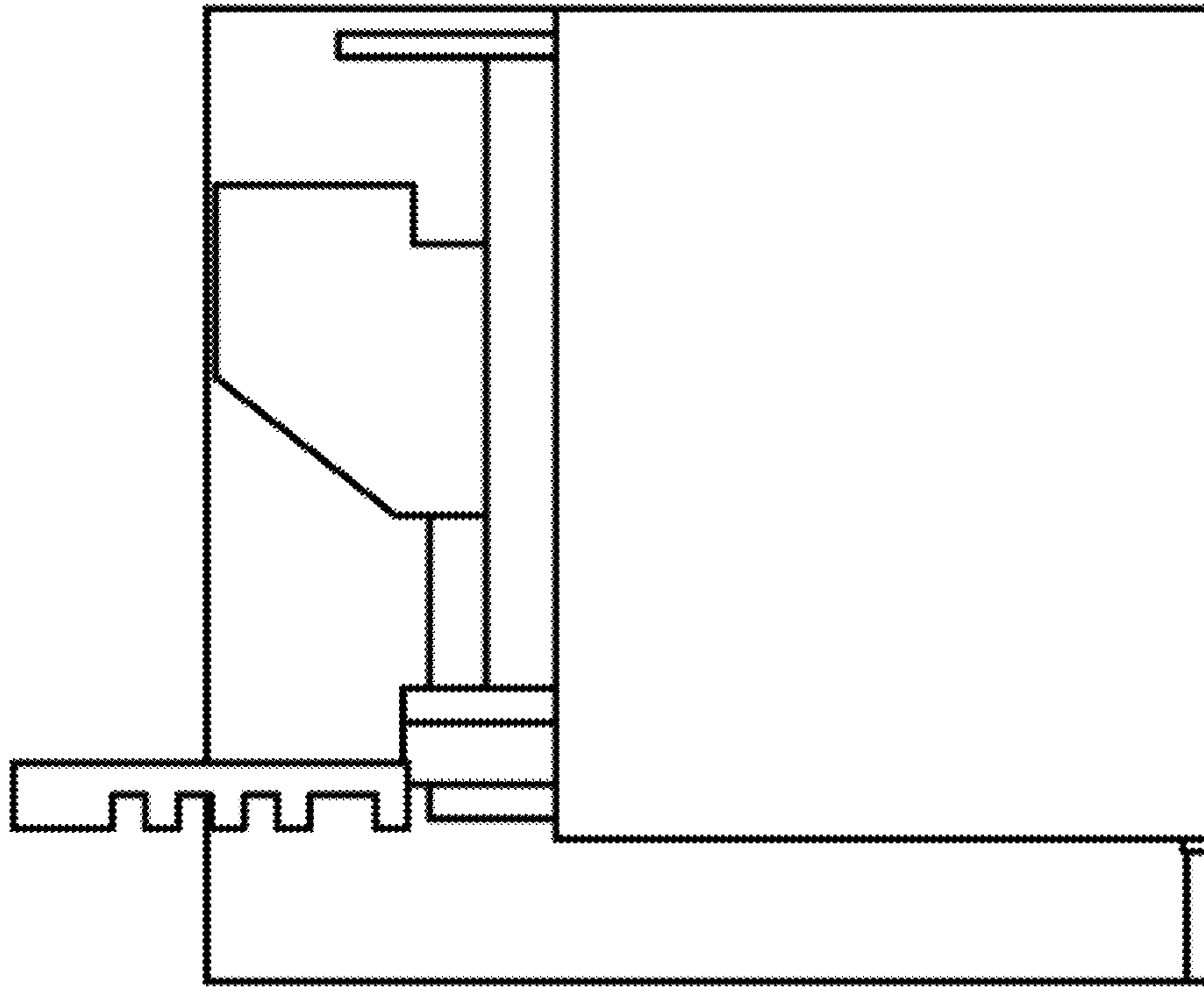


FIG. 4

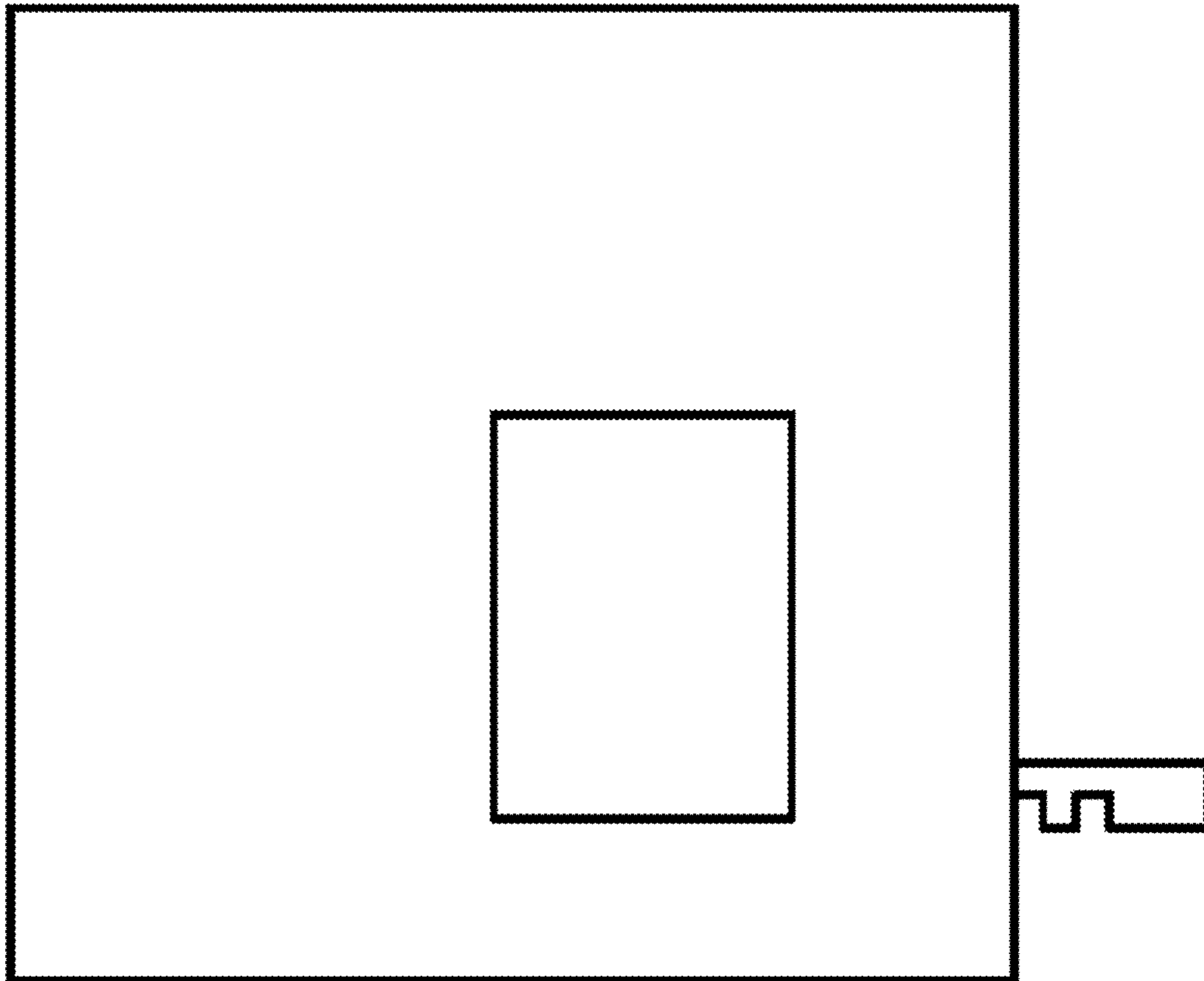


FIG. 5

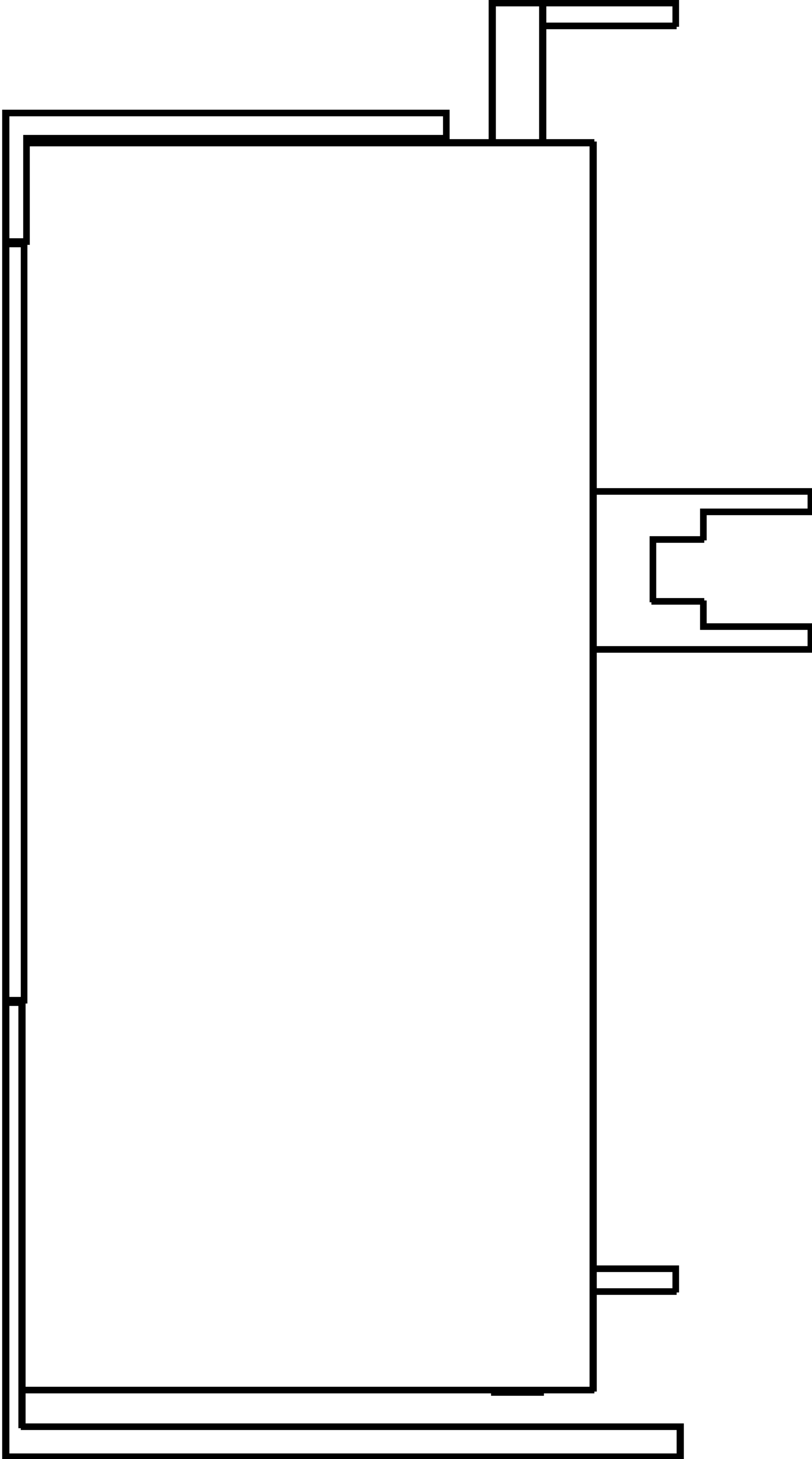


FIG. 6

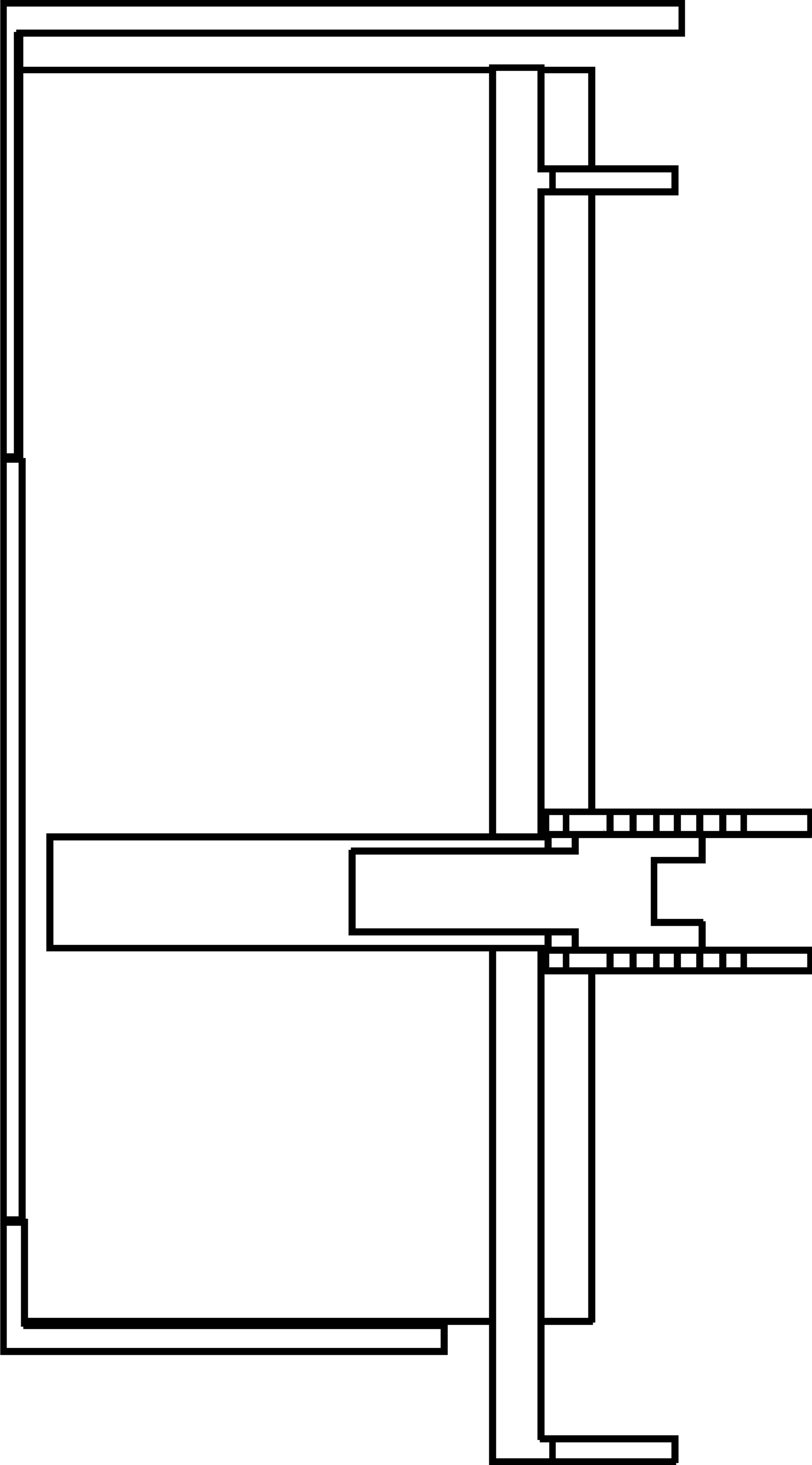


FIG. 7



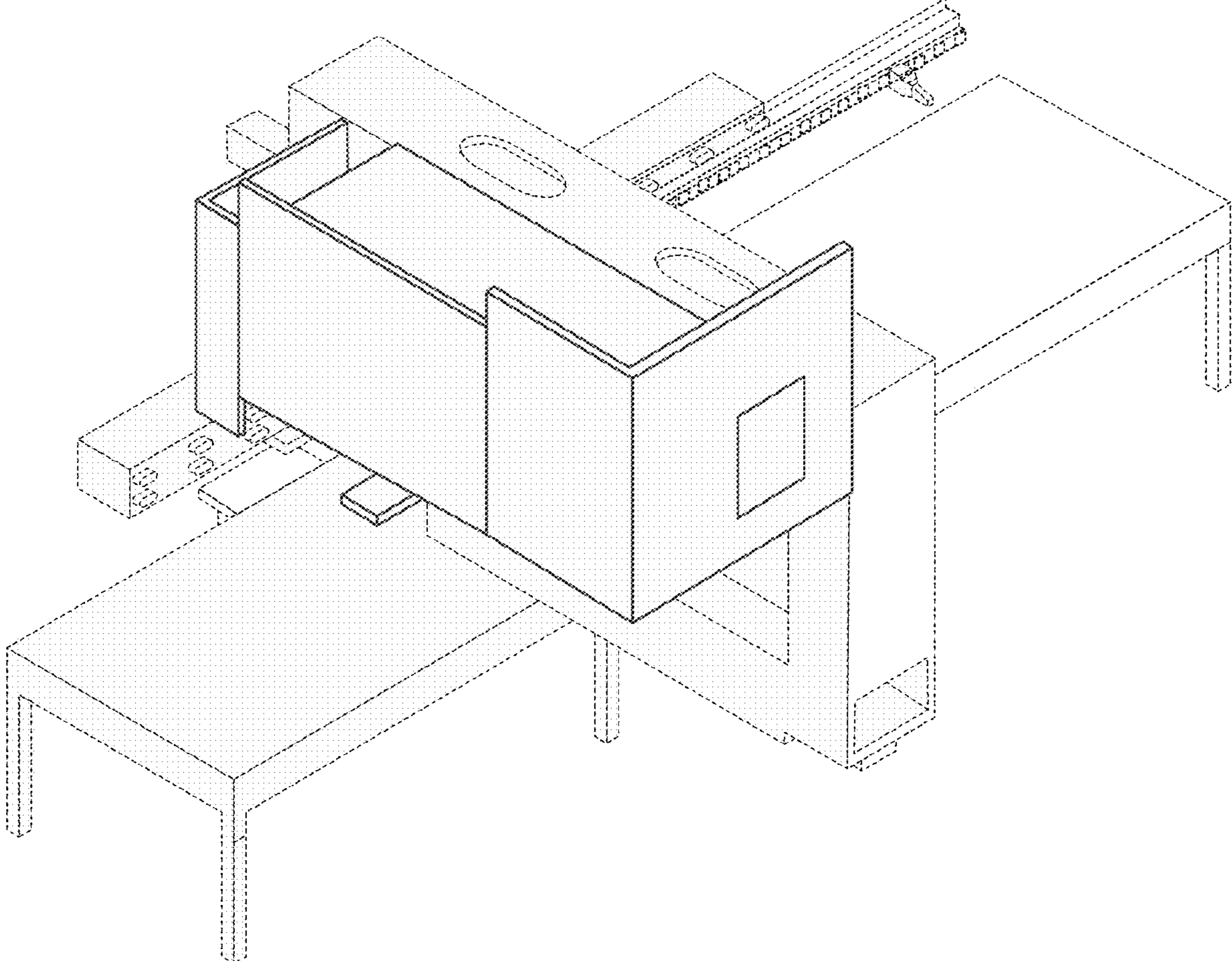


FIG. 8

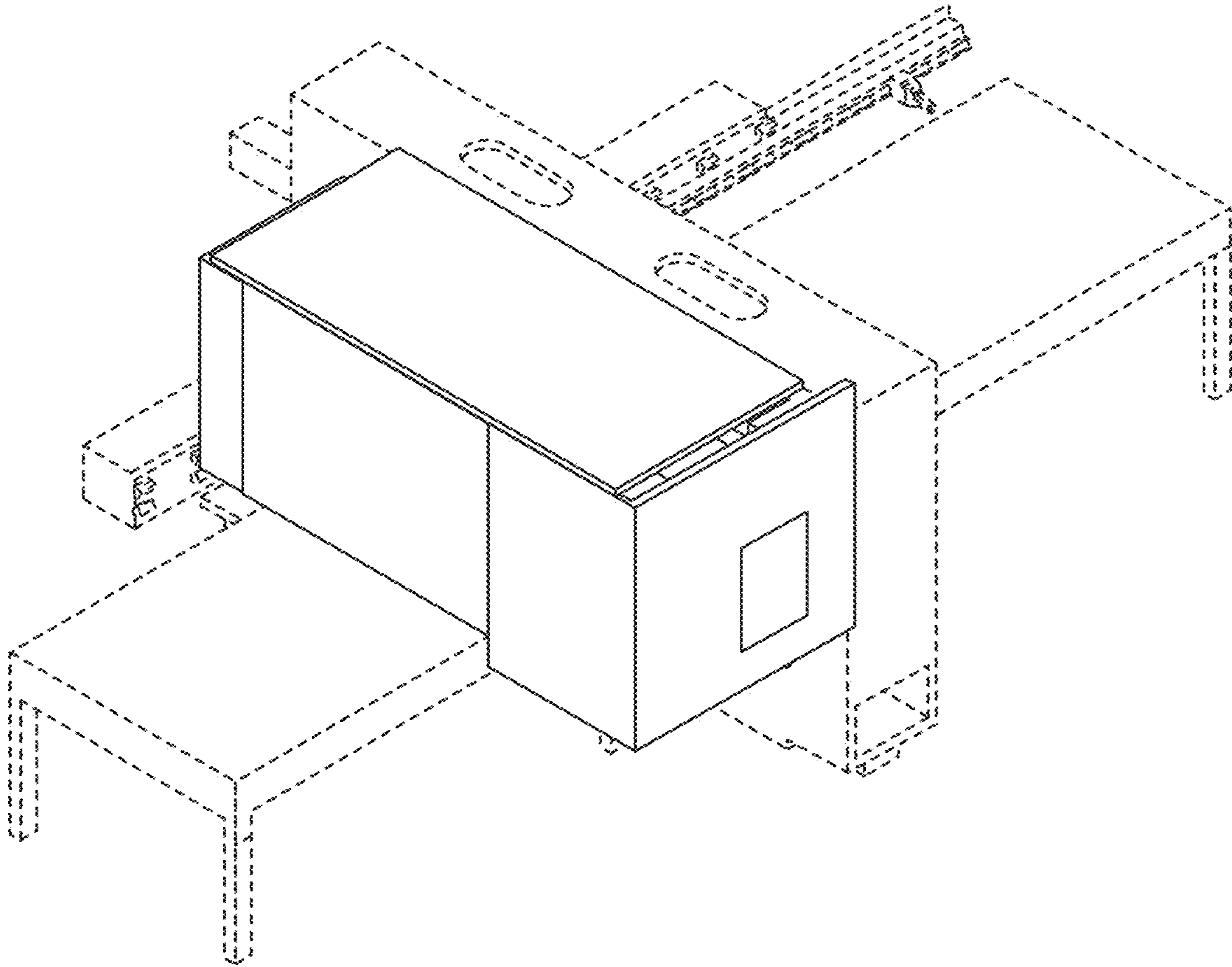


FIG. 9