

US00D943646S

(12) **United States Design Patent** (10) **Patent No.:** **US D943,646 S**
Kim et al. (45) **Date of Patent:** **** Feb. 15, 2022**

(54) **PANEL FOR DOORWAY**

2400/18; F25D 23/08; F25D 23/085;
F25D 2500/02; F25D 25/00; F25D
25/005; F25D 25/022; F25D 25/024;
F25D 17/047; F25D 2317/041; F25D
2317/04131; F25D 2317/043; F25D
2317/0664; F25D 2321/147; F25D
2323/02; F25D 2323/023

(71) Applicant: **LG ELECTRONICS INC.**, Seoul
(KR)

(72) Inventors: **Hyunchul Kim**, Seoul (KR); **Insun
Yeo**, Seoul (KR); **Wook Shin**, Seoul
(KR); **Kiyeal Seo**, Seoul (KR); **Eugene
Myung**, Seoul (KR); **Junghoon Lee**,
Seoul (KR)

See application file for complete search history.

(73) Assignee: **LG ELECTRONICS INC.**, Seoul
(KR)

(**) Term: **15 Years**

(21) Appl. No.: **35/510,335**

(22) Filed: **Mar. 16, 2020**

(80) **Hague Agreement Data**

Int. Filing Date: **Mar. 16, 2020**

Int. Reg. No.: **DM/207308**

Int. Reg. Date: **Mar. 16, 2020**

Int. Reg. Pub. Date: **Sep. 18, 2020**

(30) **Foreign Application Priority Data**

Oct. 2, 2019 (KR) 30-2019-0047430

(51) **LOC (13) Cl.** **15-07**

(52) **U.S. Cl.**

USPC **D15/91**

CPC **F25D 25/025** (2013.01)

(58) **Field of Classification Search**

USPC D15/79-91; 312/112-119, 236, 612, 352,
312/400-408; 62/3.1, 3.6, 3.62, 3.64,
62/293, 31, 371, 400, 467, 529, 531

CPC F25D 25/025; F25D 23/028; F25D
2323/024; F25D 23/00; F25D 23/02;
F25D 2323/021; F25D 23/065; F25D

11/00; F25D 2201/14; F25D 23/021;
F25D 23/025; F25D 23/04; F25D 27/00;
F25D 23/062; F25D 23/067; F25D

(56) **References Cited**

U.S. PATENT DOCUMENTS

2,404,851 A * 7/1946 Knowles F25D 25/025
312/286

2,421,439 A * 6/1947 Smith F25D 13/02
62/382

3,089,313 A * 5/1963 Fix F25D 13/02
62/239

5,474,213 A * 12/1995 Unger F25C 5/22
222/108

D443,625 S * 6/2001 Vazquez D15/86

(Continued)

Primary Examiner — Richard E Chilcot

(74) *Attorney, Agent, or Firm* — Birch, Stewart, Kolasch
& Birch, LLP

(57) **CLAIM**

The ornamental design for a panel for doorway, as shown
and described.

DESCRIPTION

1. Panel for doorway

1.1 : Perspective

1.2 : Front

1.3 : Back

1.4 : Left

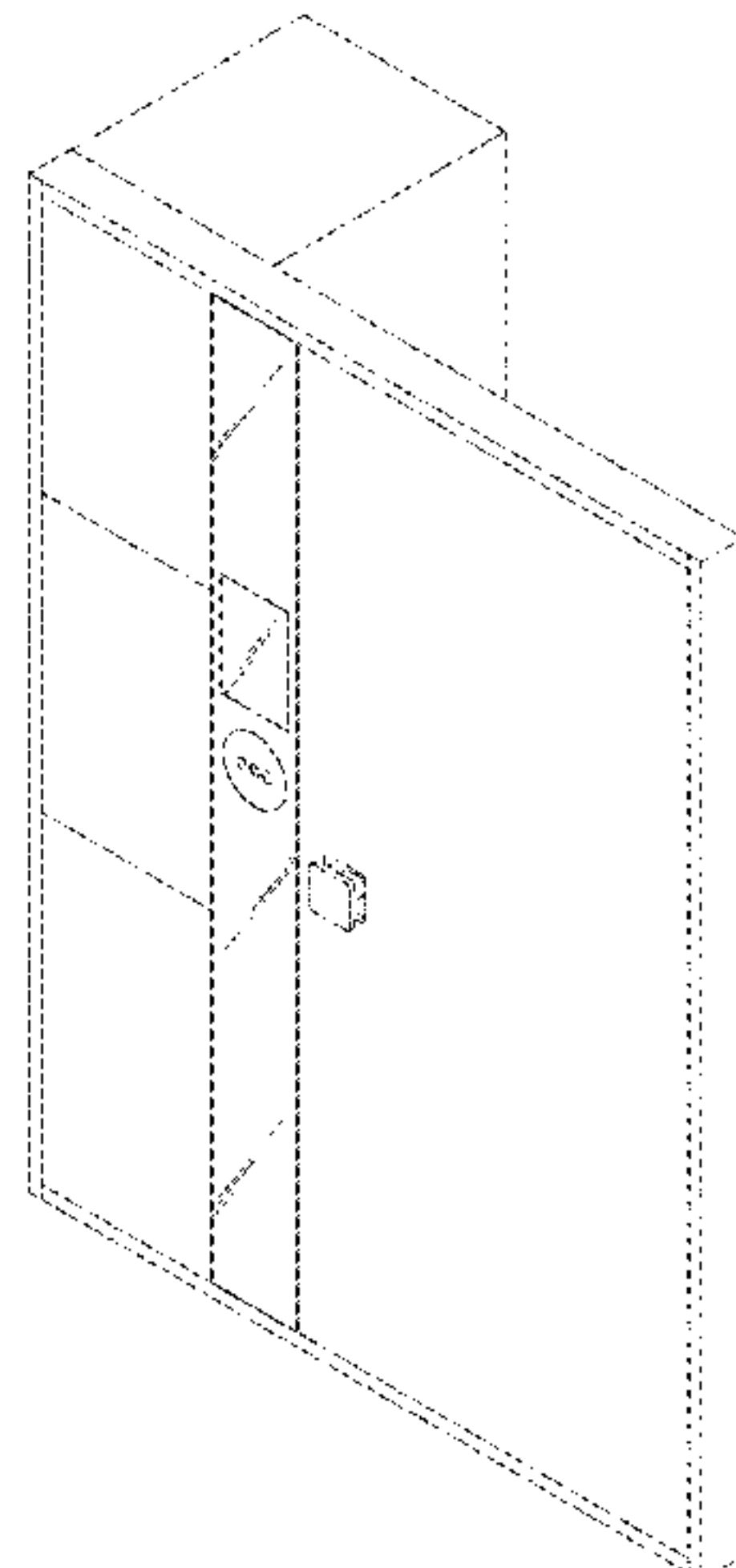
1.5 : Right

1.6 : Top

1.7 : Bottom

The shading lines in the reproductions are used to show the
translucent material of the claimed design, and do not
represent its surface ornamentation; broken lines illustrate

(Continued)



environmental condition only and form no part thereof; all surfaces not shown form no part of the claimed design.

1 Claim, 7 Drawing Sheets

(56)

References Cited

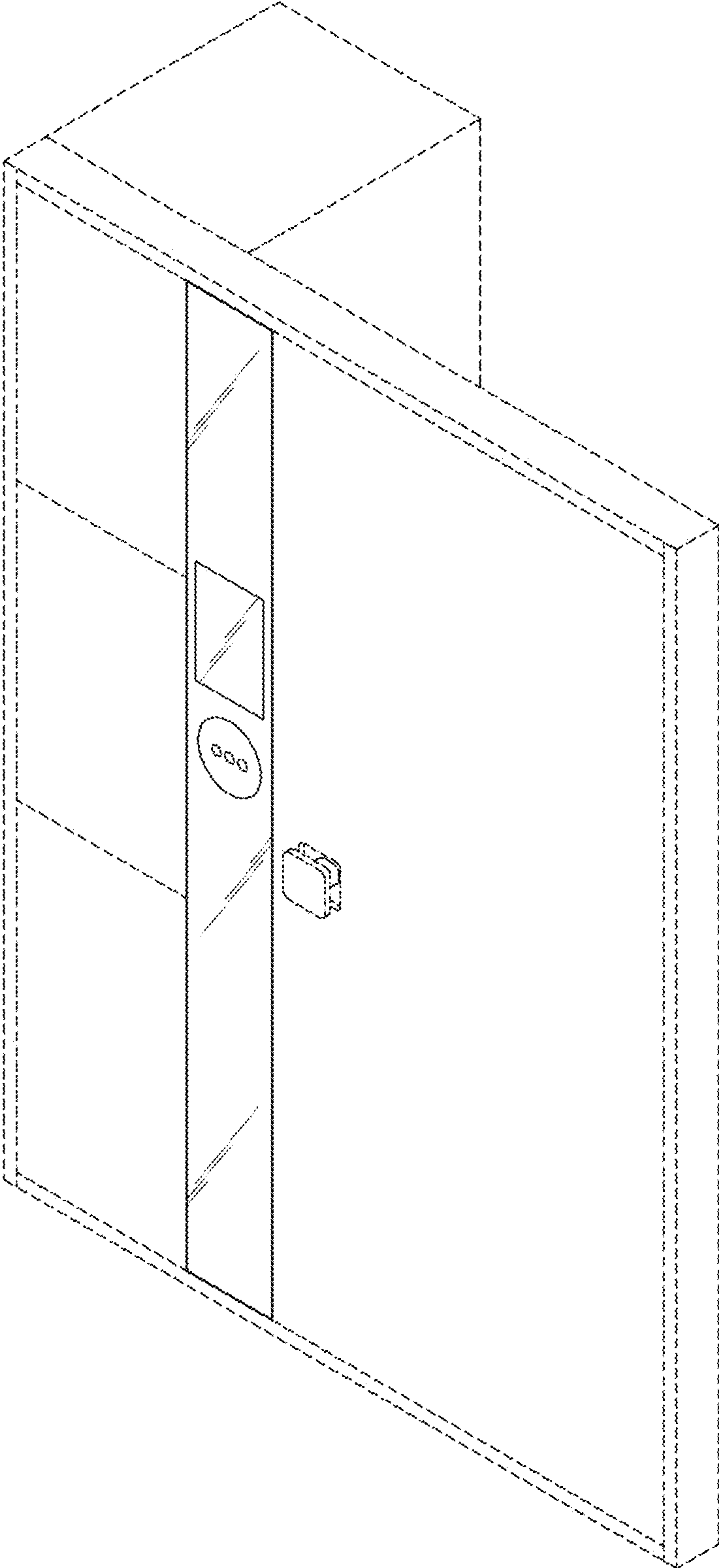
U.S. PATENT DOCUMENTS

D471,568 S * 3/2003 Smith D15/85
D544,000 S * 6/2007 Ohtake D15/81
D669,103 S * 10/2012 Behr D15/91
D671,573 S * 11/2012 Behr D15/91
8,496,308 B2 * 7/2013 Zabbatino G06Q 30/0645
312/407
8,814,286 B2 * 8/2014 Ward F25D 25/024
312/404
D880,543 S * 4/2020 Luchetta D15/91
D905,766 S * 12/2020 Vernon D15/79
D918,055 S * 5/2021 Smith, Jr. D9/636
D924,278 S * 7/2021 Choi F25D 25/025
D15/79

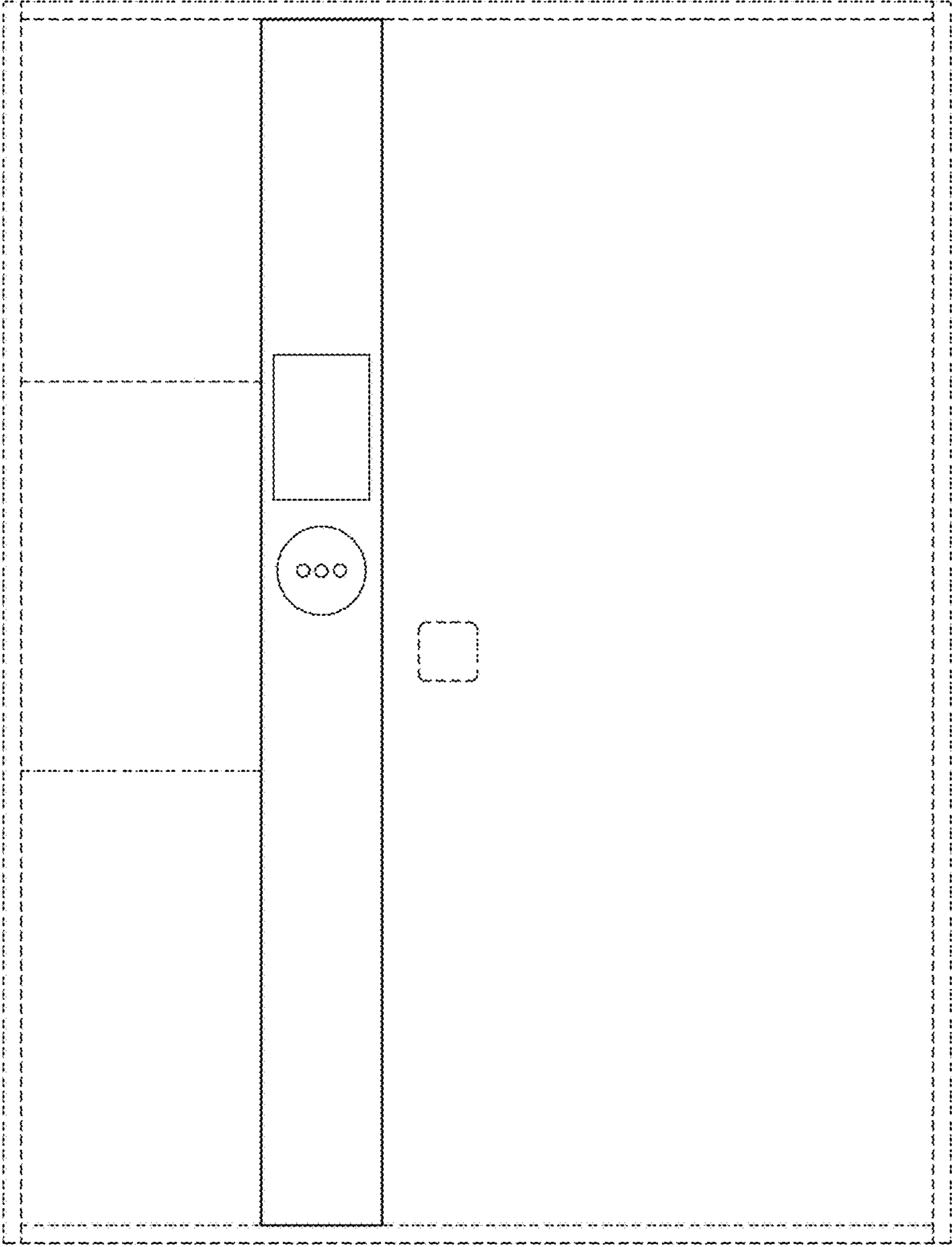
2003/0005716 A1* 1/2003 Doran F25D 23/10
62/263
2006/0179724 A1* 8/2006 Lee E04H 3/02
52/79.1
2008/0036238 A1* 2/2008 Weeda B60P 3/20
296/146.1
2008/0278335 A1* 11/2008 Welte G07C 9/28
340/573.3
2009/0236954 A1* 9/2009 Kobayashi A47F 3/0404
312/36
2010/0256800 A1* 10/2010 Heffron G07F 11/62
700/214
2012/0206029 A1* 8/2012 Zabbatino F25D 23/025
312/404
2012/0209763 A1* 8/2012 Zabbatino G06Q 30/0645
705/39
2017/0061373 A1* 3/2017 Hara A47G 29/141
2017/0188542 A1* 7/2017 Dix A01K 1/035
2017/0286905 A1* 10/2017 Richardson G06Q 10/0832
2018/0172337 A1* 6/2018 Choi E06B 1/00
2019/0257556 A1* 8/2019 Pinet A47F 3/0434
2019/0271500 A1* 9/2019 Lee H05K 7/1427
2021/0217261 A1* 7/2021 Green G08C 17/02

* cited by examiner

1.1

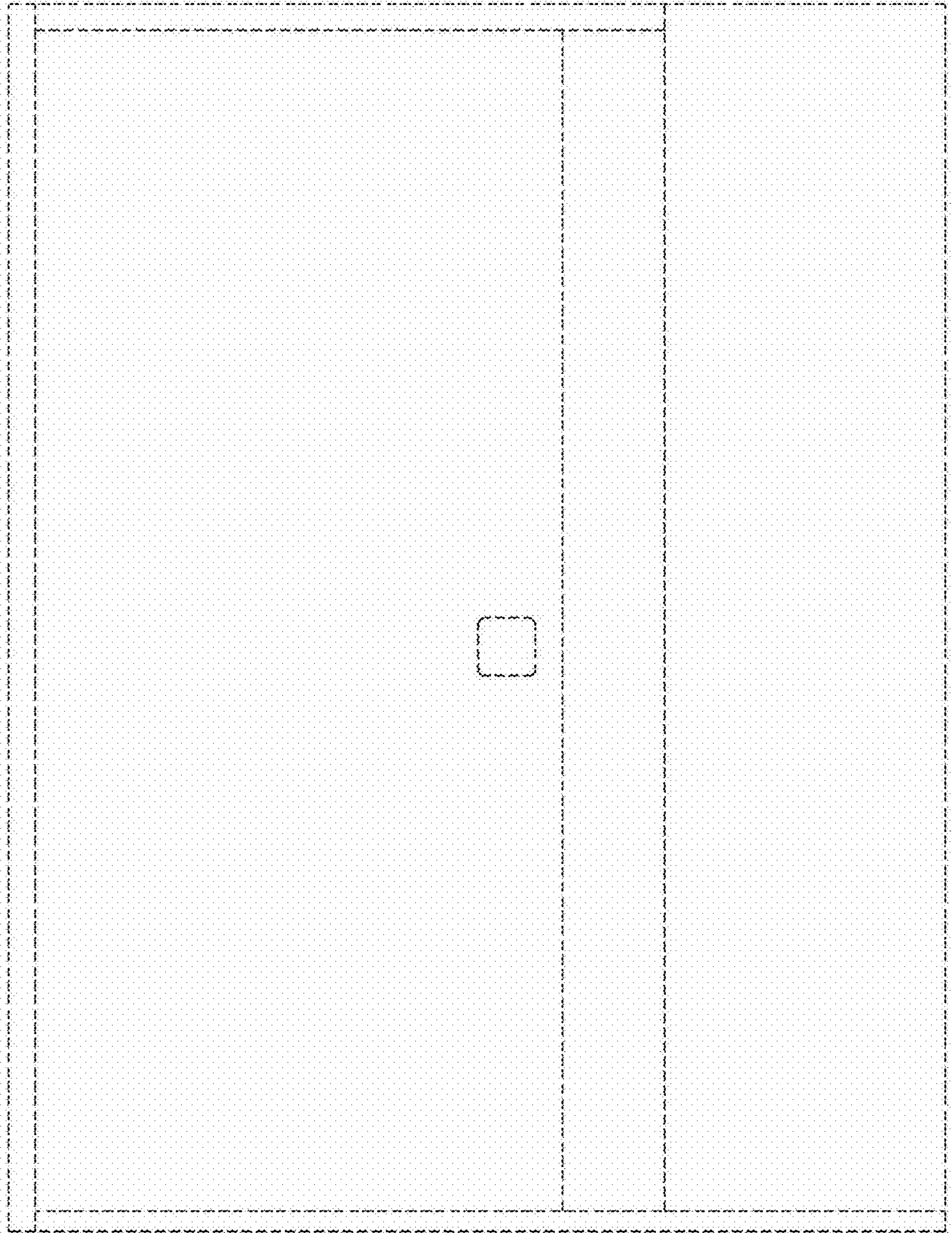


1.2

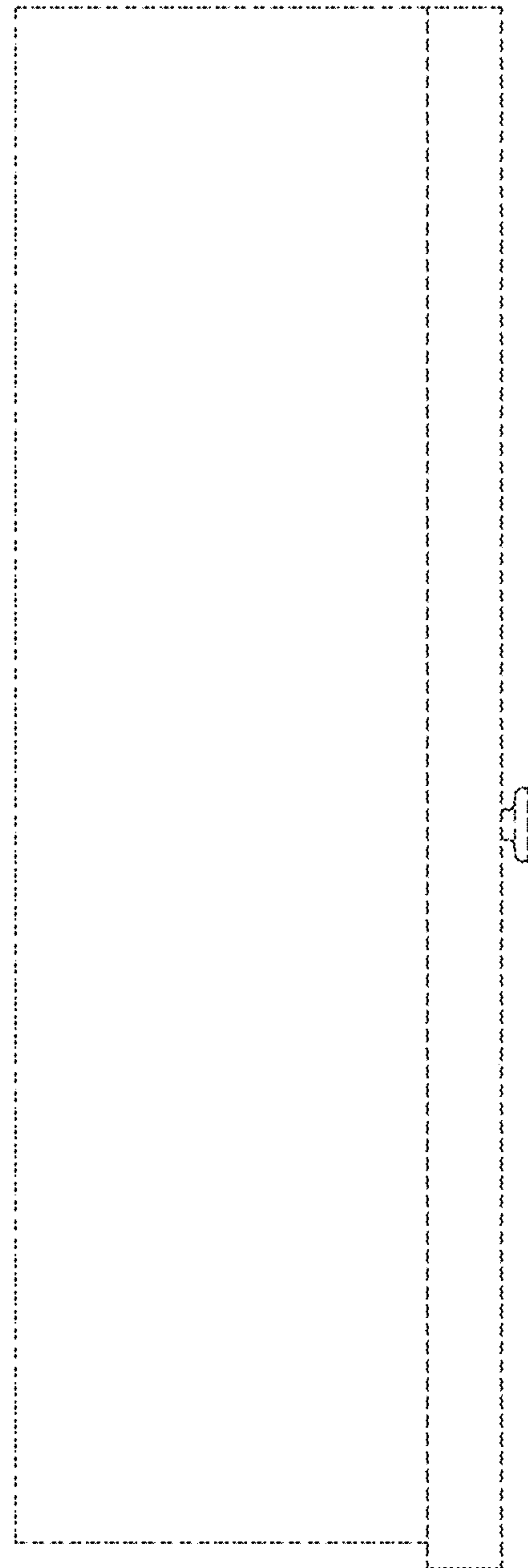


1.3

FIG. 3

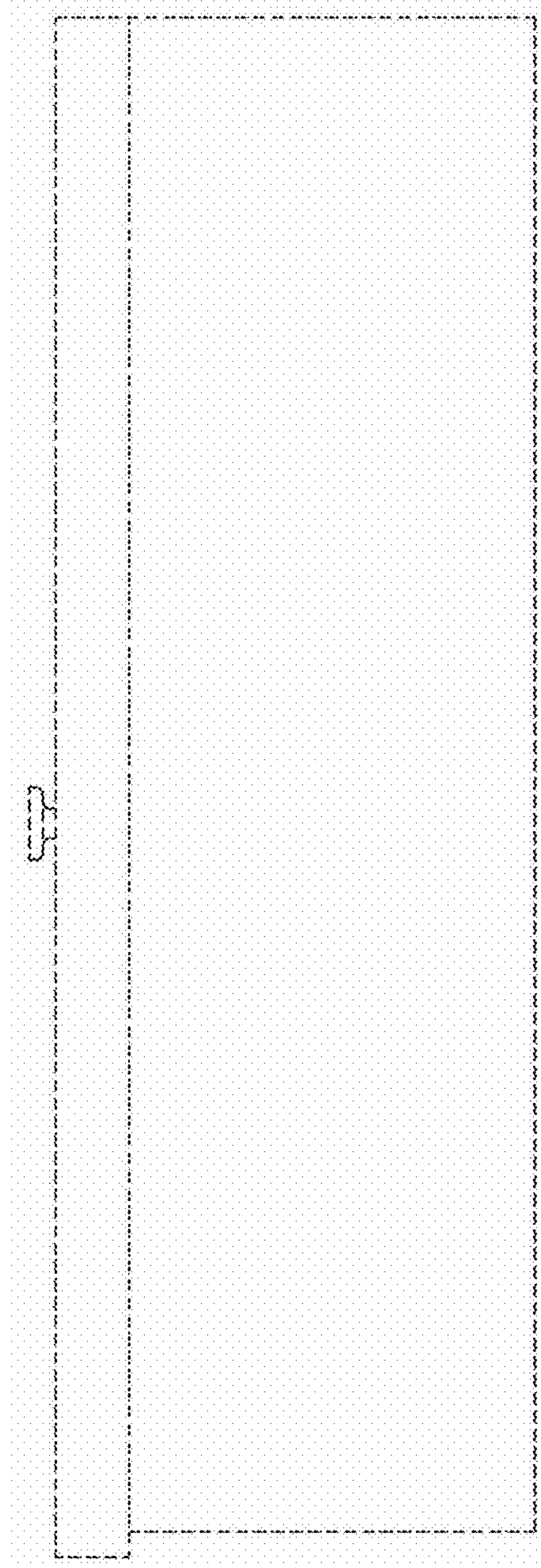


1.4

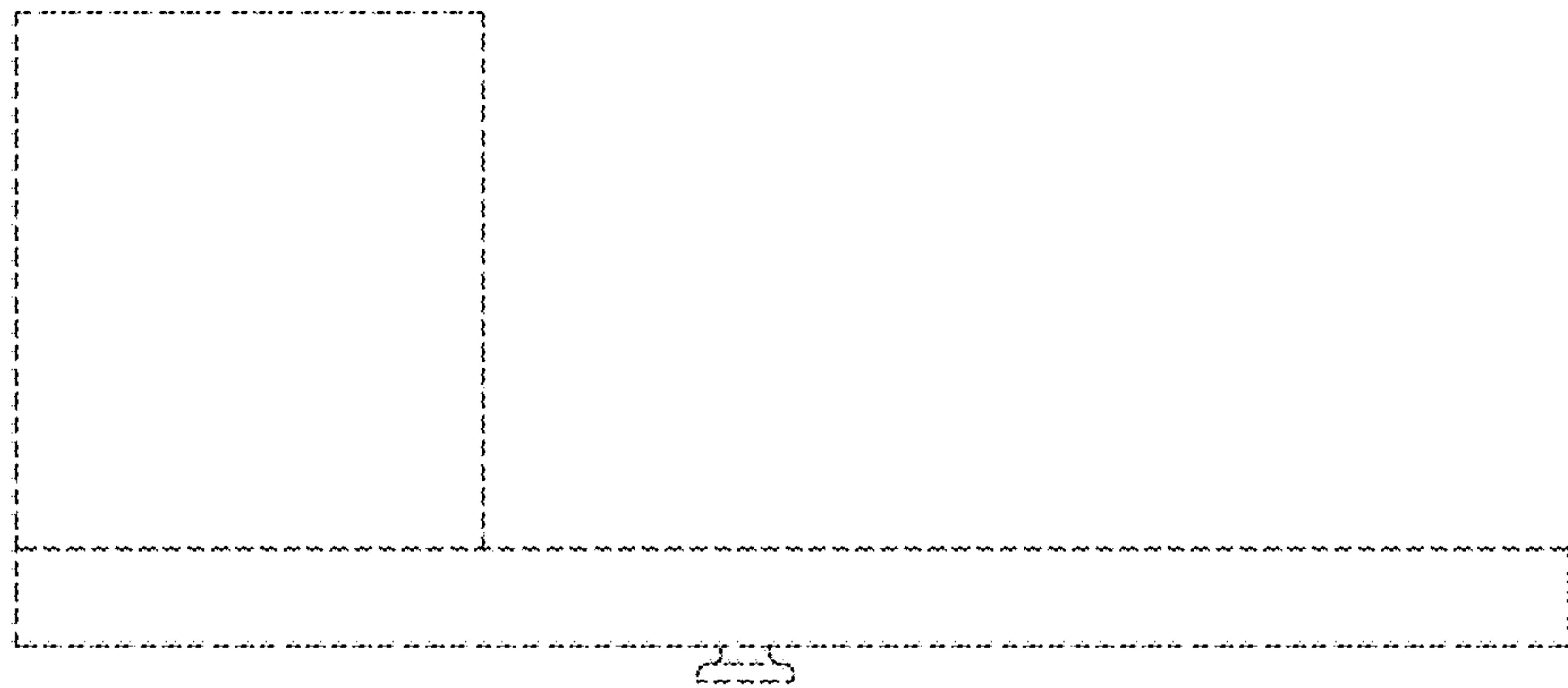


1.5

FIG. 15



1.6



1.7

