



US00D943645S

(12) **United States Design Patent**
Cen

(10) **Patent No.:** **US D943,645 S**

(45) **Date of Patent:** **** Feb. 15, 2022**

(54) **WEAVING LOOM**

(71) Applicant: **Guiling Cen**, Guangzhou (CN)

(72) Inventor: **Guiling Cen**, Guangzhou (CN)

(**) Term: **15 Years**

(21) Appl. No.: **29/736,142**

(22) Filed: **May 28, 2020**

(51) **LOC (13) Cl.** **15-06**

(52) **U.S. Cl.**
USPC **D15/66**

(58) **Field of Classification Search**

USPC D15/66-78; D3/18, 20, 23, 26; 28/149,
28/151, 152; 139/29, 34; 223/120
CPC D03D 29/00; D03D 49/00; D03D 49/04;
D03D 35/00-005; D03D 39/00-24; D03D
41/00-008; D03D 45/00; A44C
27/00-008

See application file for complete search history.

(56) **References Cited**

U.S. PATENT DOCUMENTS

697,745	A *	4/1902	Painter	D03D 29/00 28/151
703,815	A *	7/1902	Painter	D03D 29/00 28/151
829,474	A *	8/1906	Hooper	D03D 29/00 139/33
1,183,583	A *	5/1916	Moriggl.	D03D 35/00 139/57
1,183,930	A *	5/1916	Webster	D03D 29/00 139/33
2,063,726	A *	12/1936	Collingbourne	D03D 29/00 28/152
2,110,822	A *	3/1938	Roberts	D03D 29/00 139/33
2,150,187	A *	3/1939	Raba	D03D 29/00 139/33
2,451,207	A *	10/1948	Ferguson	D03D 29/00 28/152
2,601,715	A *	7/1952	Simonds	D03D 29/00 28/152

(Continued)

FOREIGN PATENT DOCUMENTS

CN 305981786 * 8/2020
CN 306012100 * 8/2020

(Continued)

OTHER PUBLICATIONS

Beka Weaving Frame Loom with Stand [Online] URL: <https://www.amazon.com/Beka-Weaving-Frame-Loom-Stand/dp/B01D2445EC> (site visited: Aug. 6, 2021) (Year: 2016).*

(Continued)

Primary Examiner — Jae Liang

Assistant Examiner — Tia Ruth-Renee Polidori

(74) *Attorney, Agent, or Firm* — Rumit Ranjit Kanakia

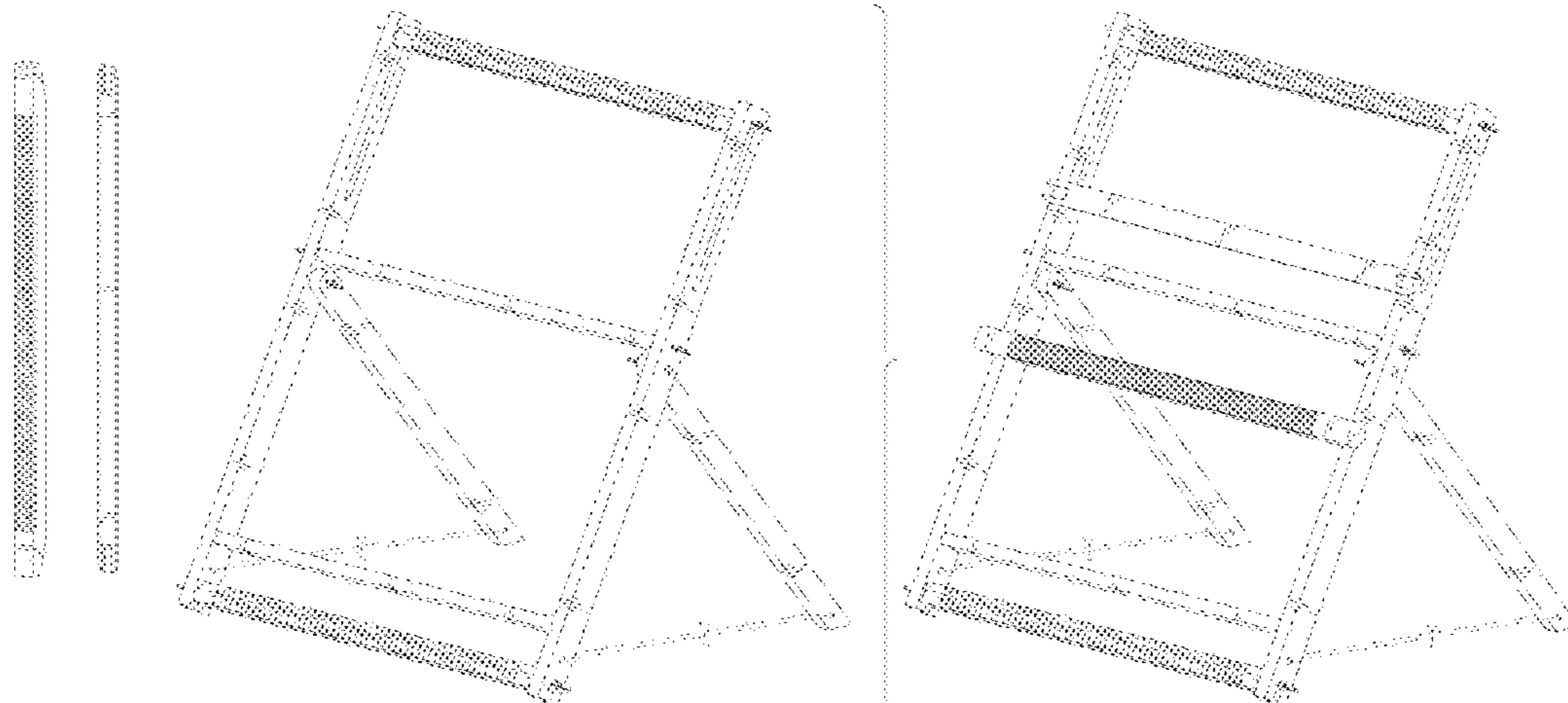
(57) **CLAIM**

I claim the ornamental design for a weaving loom, as shown and described.

DESCRIPTION

FIG. 1 is a Perspective view of a weaving loom showing my new design;
FIG. 2 is a Front view thereof;
FIG. 3 is a Back view thereof;
FIG. 4 is a Right-side view thereof;
FIG. 5 is a Left-side view thereof;
FIG. 6 is a Top view thereof;
FIG. 7 is a Bottom view thereof;
FIG. 8 is another Perspective view thereof with installed additional module as shown in FIG. 1; and,
FIG. 9 is another Perspective view thereof.
The broken lines are only for environmental purposes and form no part of the claimed design.

1 Claim, 9 Drawing Sheets



(56)

References Cited

U.S. PATENT DOCUMENTS

D222,149 S * 10/1971 Raba et al. D03D 29/00
 D11/133
 3,753,273 A * 8/1973 Roberts D03D 29/00
 28/151
 3,774,326 A * 11/1973 Selden D04G 3/02
 38/102.4
 3,869,817 A * 3/1975 Bowman D05C 1/02
 38/102.4
 D237,910 S * 12/1975 Brubaker D03D 29/00
 D15/66
 4,255,886 A * 3/1981 Klarman B44D 3/185
 160/379
 4,417,409 A * 11/1983 Bell D06C 3/08
 38/102.91
 D279,011 S * 5/1985 Riehm D15/66
 D318,756 S * 8/1991 Schulle D3/26
 5,293,704 A * 3/1994 Brown D05C 1/02
 38/102.9
 8,162,008 B1 * 4/2012 Presnell, III D03D 39/10
 139/21
 D791,198 S * 7/2017 Smith D03D 29/00
 D15/66
 D895,690 S * 9/2020 Walker D15/66
 D909,430 S * 2/2021 Fairbanks D15/66
 2002/0043290 A1 * 4/2002 Kuwabara D03C 9/02
 139/91

2008/0173368 A1* 7/2008 Flodin D03D 29/00
 139/33
 2016/0168766 A1* 6/2016 Miller D03D 29/00
 139/29
 2016/0340810 A1* 11/2016 Okuma D03D 29/00

FOREIGN PATENT DOCUMENTS

GB 6010370 * 4/2017
 HU 85790-0001 * 1/1996
 JP D1190990 * 11/2002
 KR 300864076.0000 * 7/2016

OTHER PUBLICATIONS

Wooden Multi-Craft Weaving Loom [Online] URL: https://www.amazon.com/Multi-Craft-Weaving-Extra-Large-DevelopsCreativity/dp/B082YS1HK5/ref=asc_df_B082YS1HK5/?tag=hyprod-20&linkCode=df0&hvadid=416957758022&hv (site visited: Aug. 6, 2021) (Year: 2019).*

Schacht Arras Tapestry Loom [Online] URL: <https://www.loomandspindle.com.au/schacht/arras-tapestry-loom> (site visited: Aug. 6, 2021) (Year: 2019).*

WILLOWDALE [Online] URL: <https://www.amazon.com/WILLOWDALE-Multi-Craft-Extra-Large-Develops-Creativity/dp/B07ZH96DXS> (site visited: Aug. 6, 2021) (Year: 2019).*

Tapestry Loom [Online] URL: <https://www.schachtspindle.com/product/tapestry-loom/> (site visited: Aug. 6, 2021) (Year: 2020).*

* cited by examiner

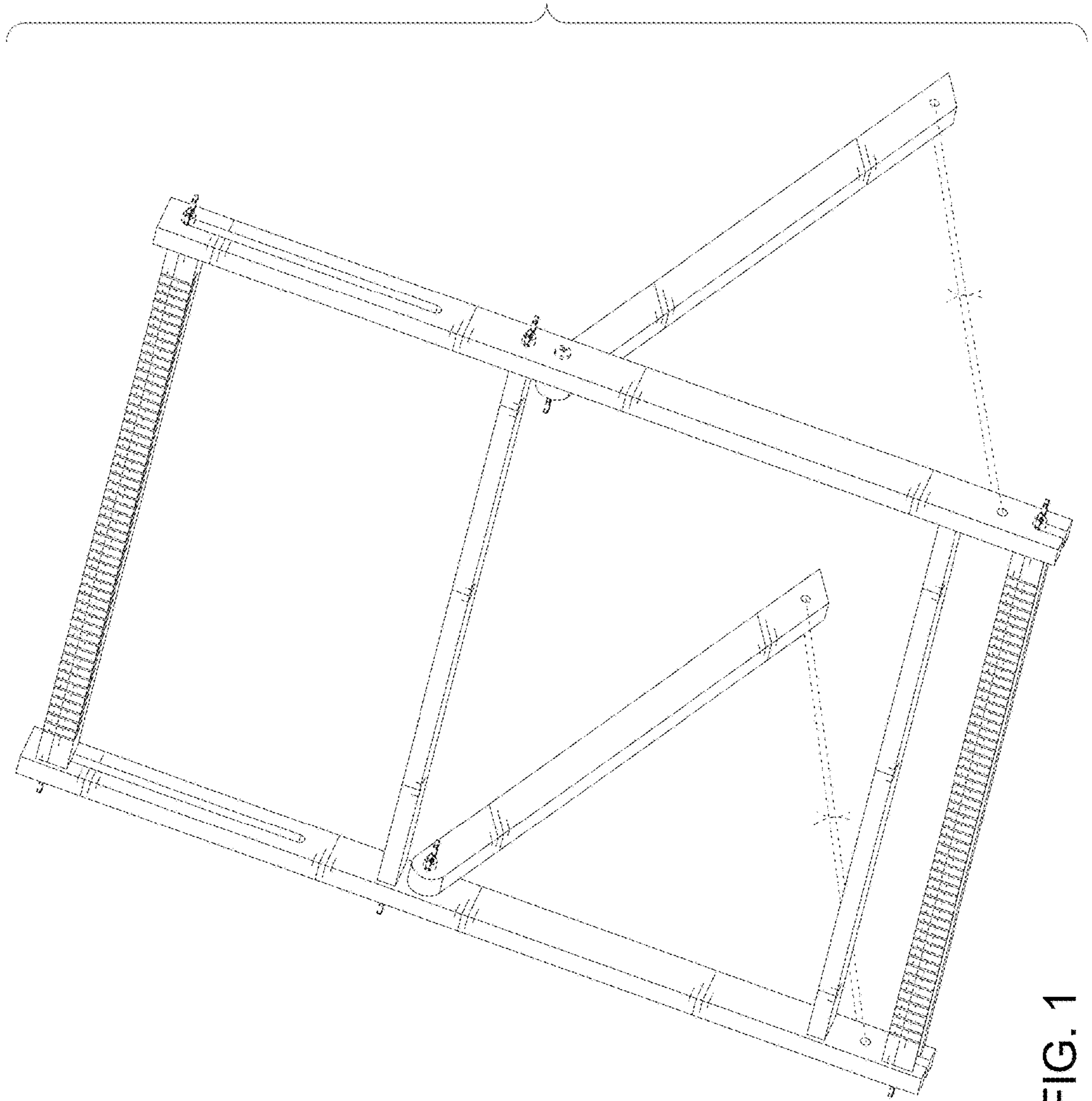
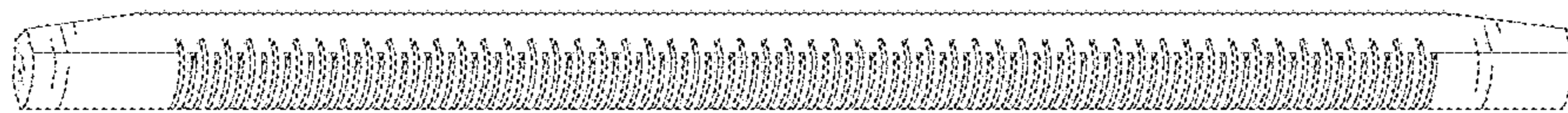
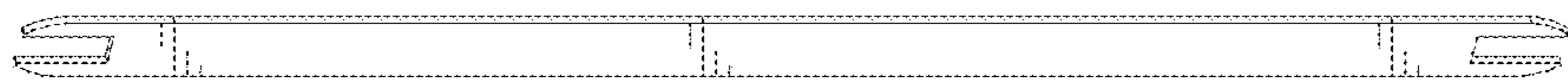


FIG. 1



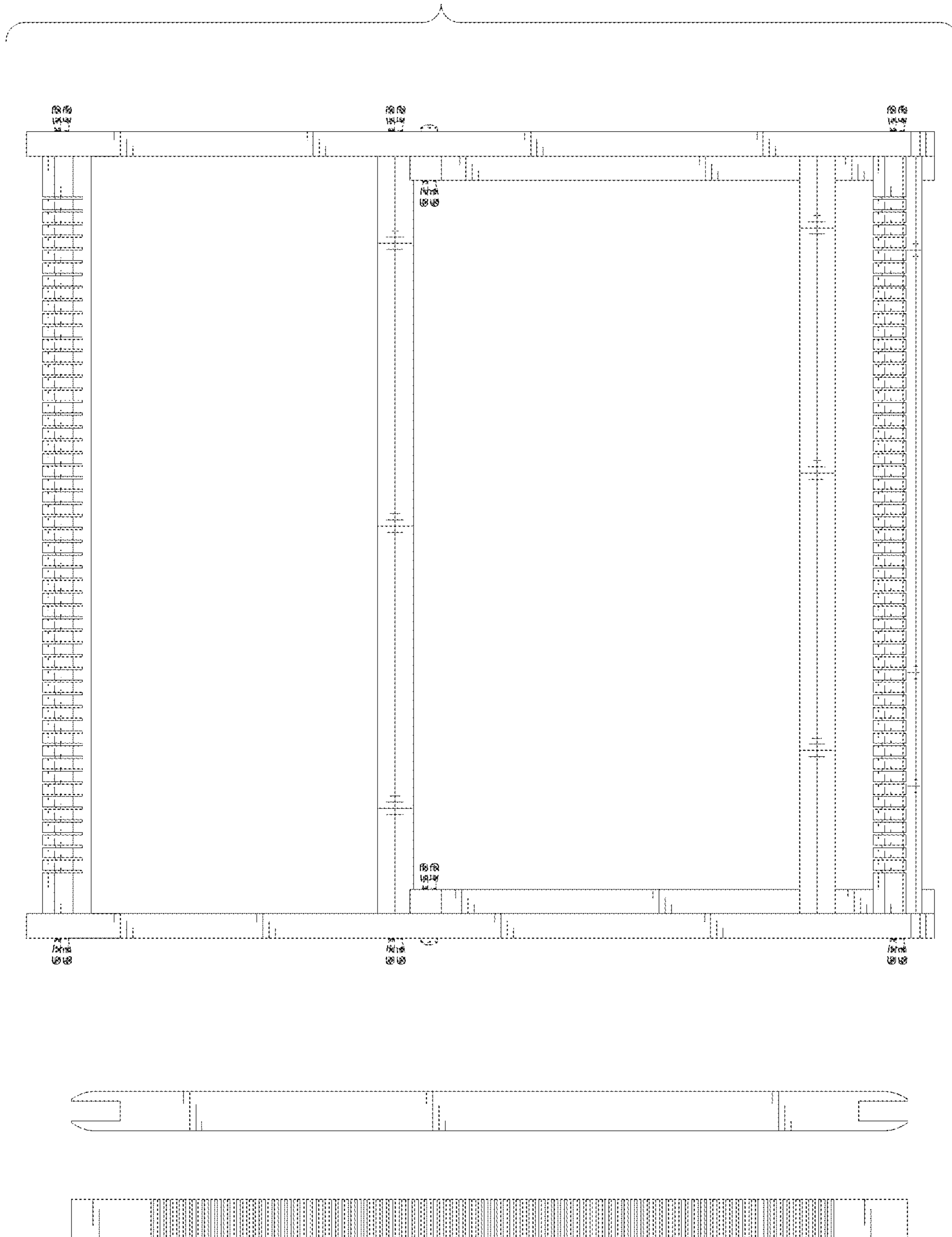


FIG. 2

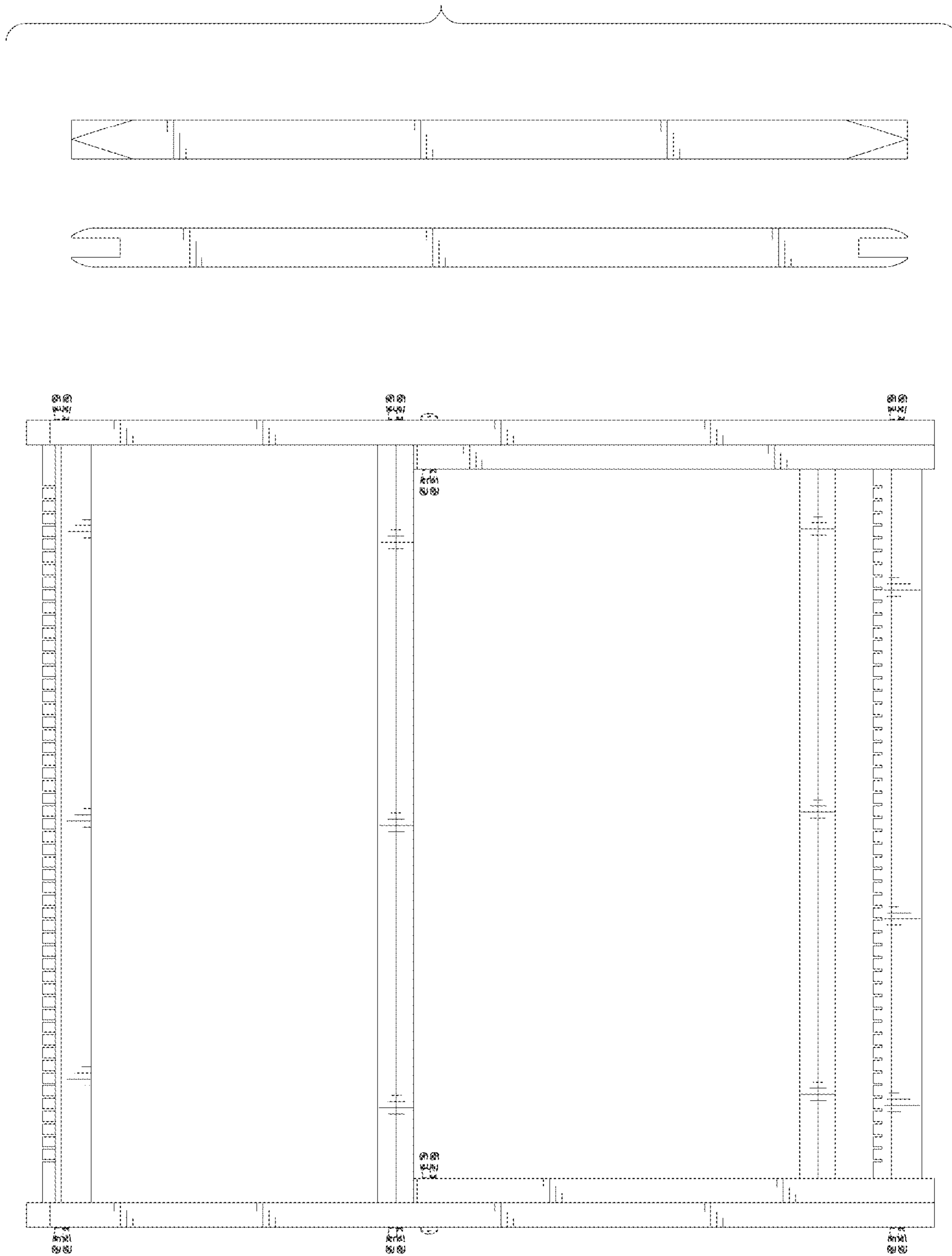


FIG. 3

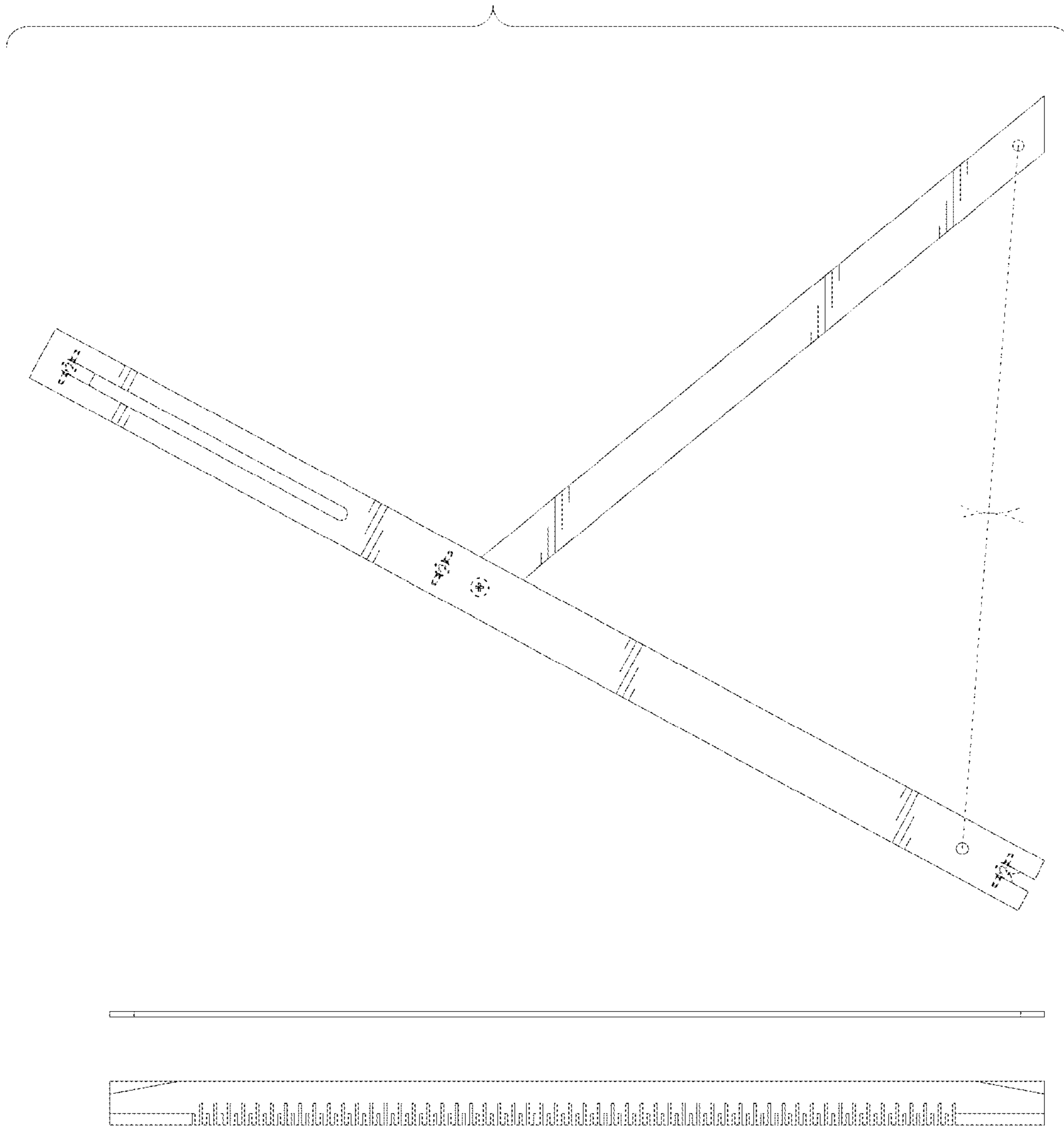


FIG. 4

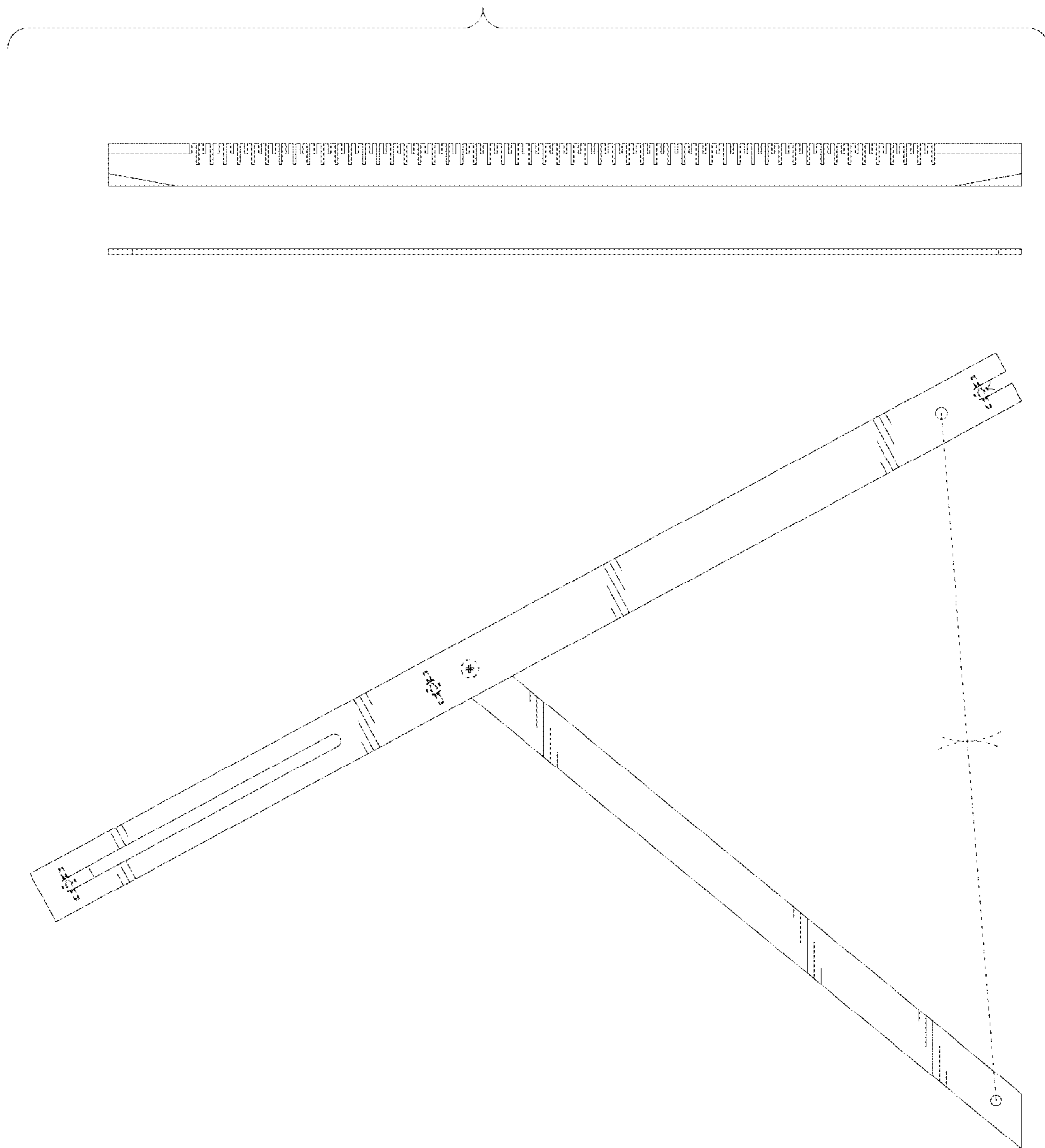


FIG. 5

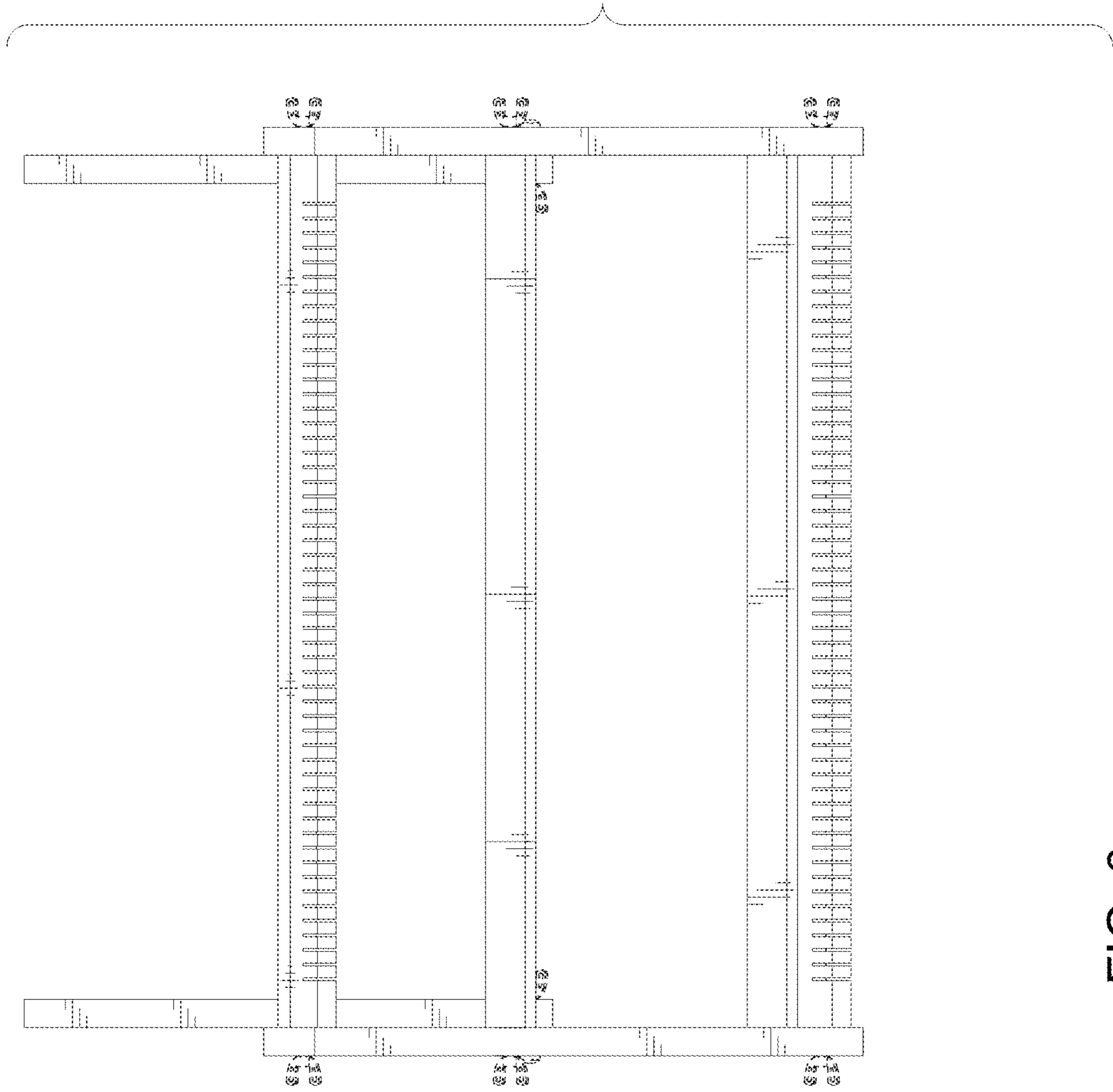
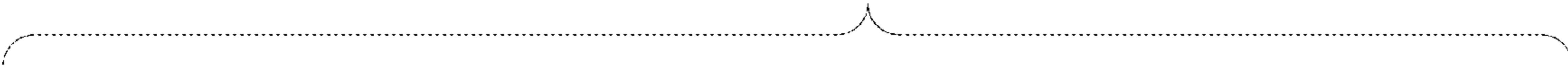


FIG. 6

1000





12/0000000

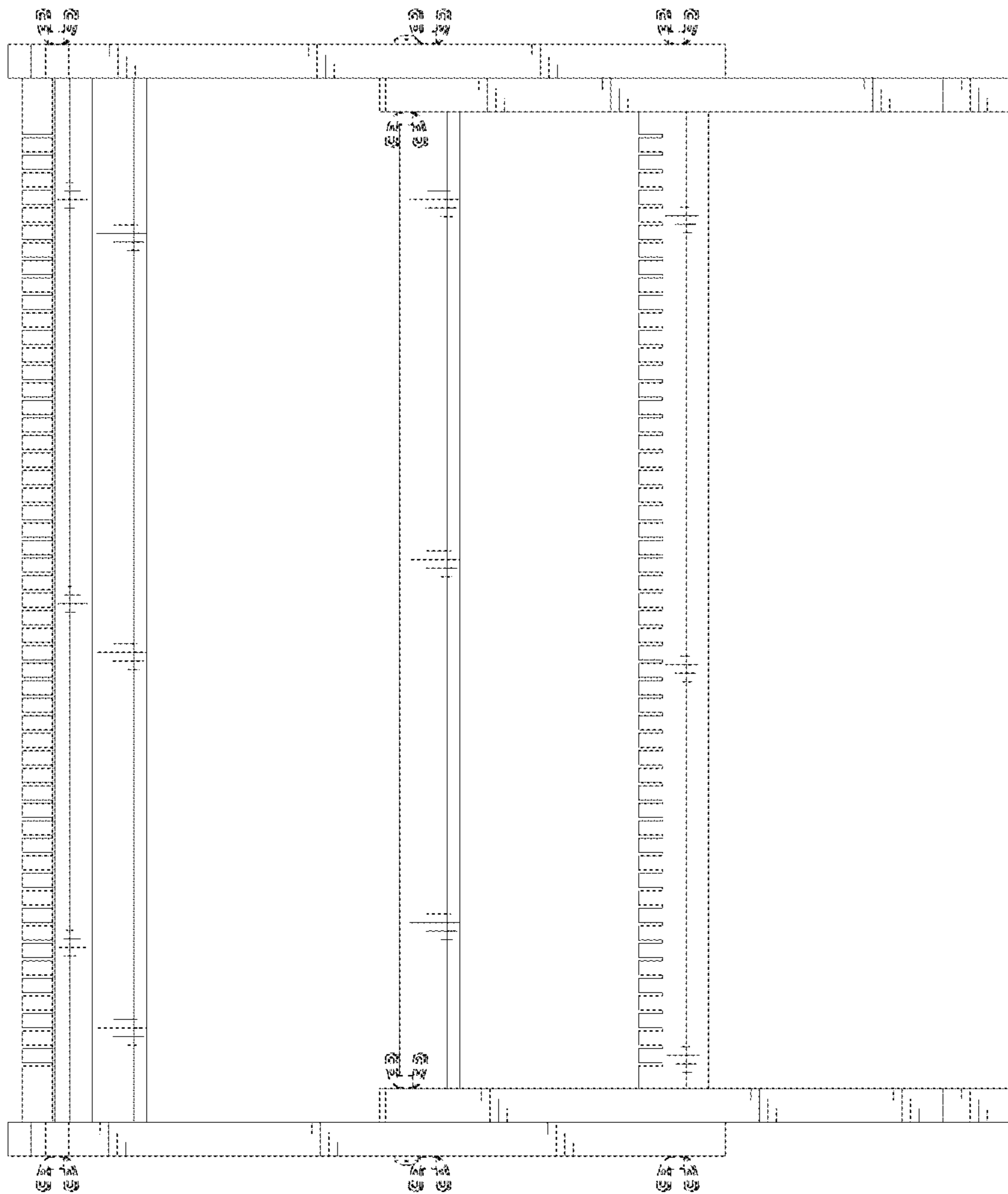


FIG. 7

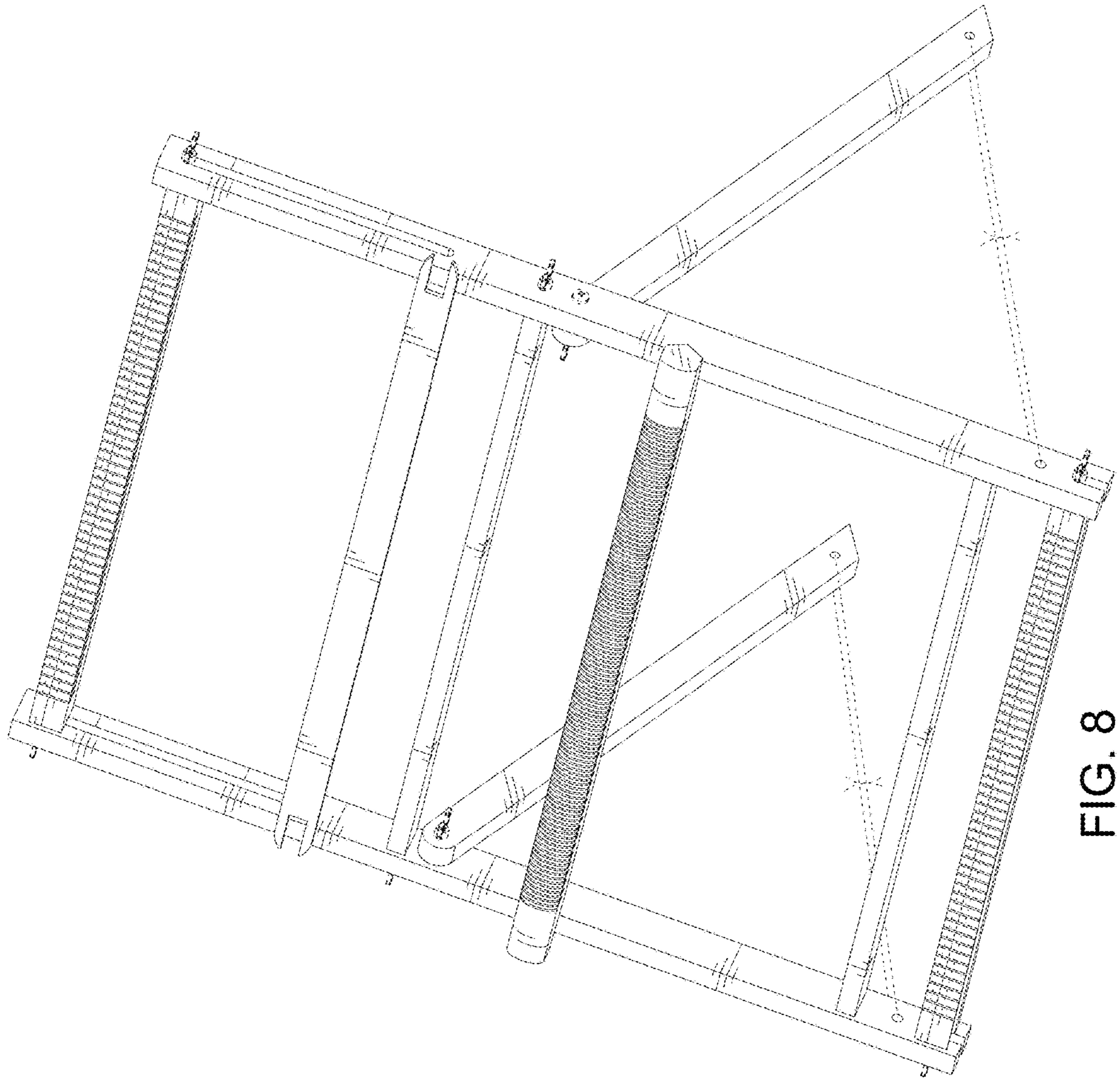


FIG. 8

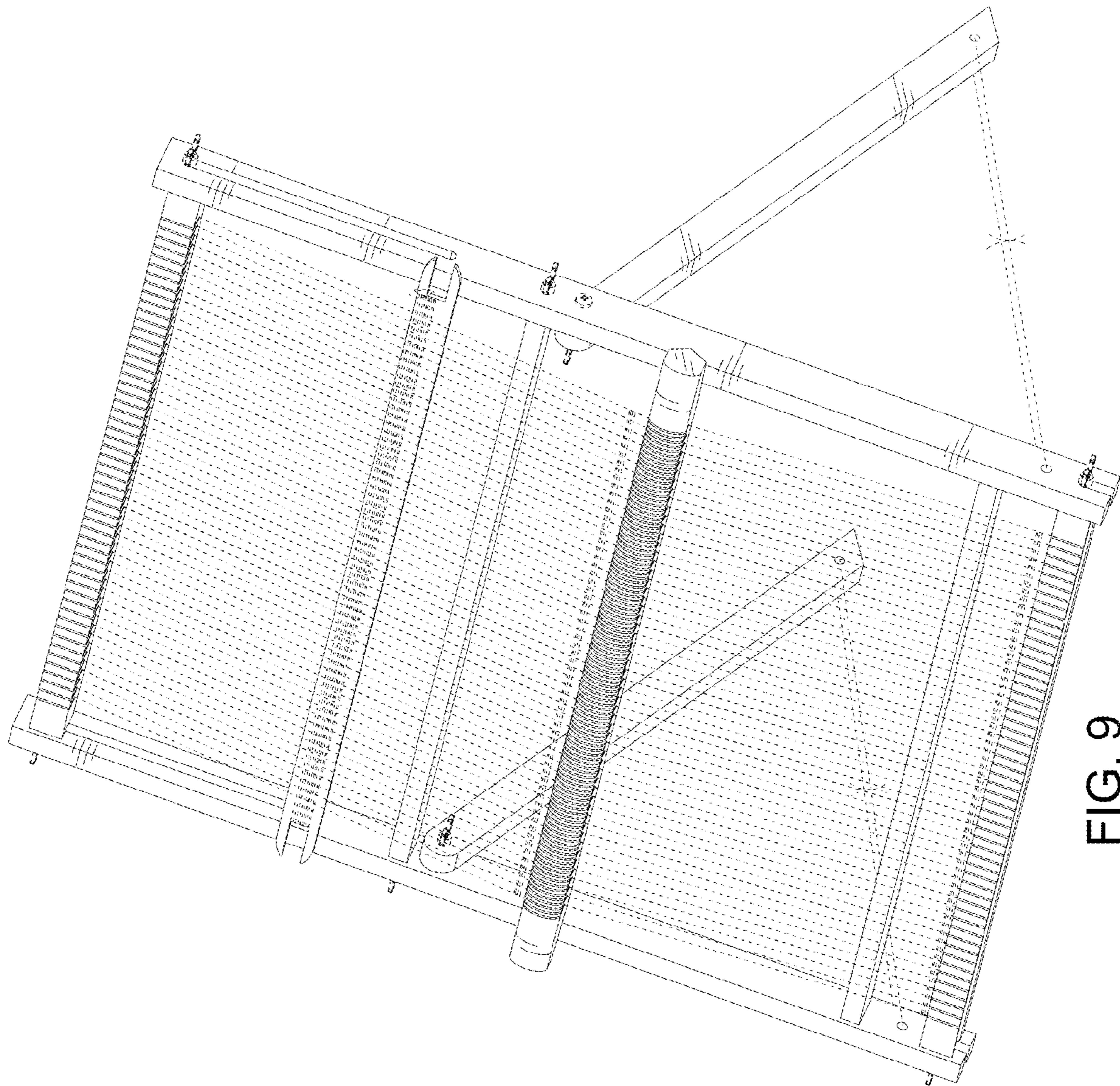


FIG. 9