



US00D943644S

(12) **United States Design Patent** (10) **Patent No.:** **US D943,644 S**  
**Gearhart et al.** (45) **Date of Patent:** **\*\* Feb. 15, 2022**

(54) **HOOD FOR A WORK MACHINE**  
(71) Applicant: **DEERE & COMPANY**, Moline, IL (US)  
(72) Inventors: **Matthew J. Gearhart**, Grovetown, GA (US); **Julie B. Mondou**, Grovetown, GA (US); **Citlalli Rincon Zuniga**, Grovetown, GA (US); **Jan R. Stillerman**, Thousand Oaks, CA (US); **Felix Nagelin**, Malibu, CA (US)

D381,025 S \* 7/1997 Bataille ..... D15/31  
D381,341 S 7/1997 Goebert et al.  
D416,266 S 11/1999 Del Torchio  
D419,164 S 1/2000 Heiler et al.  
6,058,637 A 5/2000 Duncan  
D443,852 S 6/2001 Huang  
D447,153 S 8/2001 Hornung  
(Continued)

(73) Assignee: **DEERE & COMPANY**, Moline, IL (US)

**FOREIGN PATENT DOCUMENTS**

CN 304913471 S 11/2018  
CN 305100471 S 5/2019  
(Continued)

(\*\*) Term: **15 Years**

**OTHER PUBLICATIONS**

50 HP Blue Sonalika DI 47 Rx Tractor, retrieved from Internet <<https://www.indiamart.com/proddetail/sonalika-di-47-rx-tractor-19114279955.html>>, Jun. 26, 2019, 2 pages.  
(Continued)

(21) Appl. No.: **29/748,650**

(22) Filed: **Aug. 31, 2020**

(51) **LOC (13) Cl.** ..... **15-03**

(52) **U.S. Cl.**  
USPC ..... **D15/31**

(58) **Field of Classification Search**  
USPC ..... D15/10, 11, 13-17, 28, 22-26, 30, 31; D12/173; 56/13.3, 13.4, 15.8, 15.9, 56/320.1; 180/89.1, 89.12, 900, 69.2, 180/68.1, 69.1  
CPC ..... B62D 49/00-085; B62D 25/10; B62D 25/00; B60R 19/52; B60R 21/38  
See application file for complete search history.

*Primary Examiner* — Mark A Goodwin

(57) **CLAIM**

The ornamental design for a hood for a work machine, as shown and described.

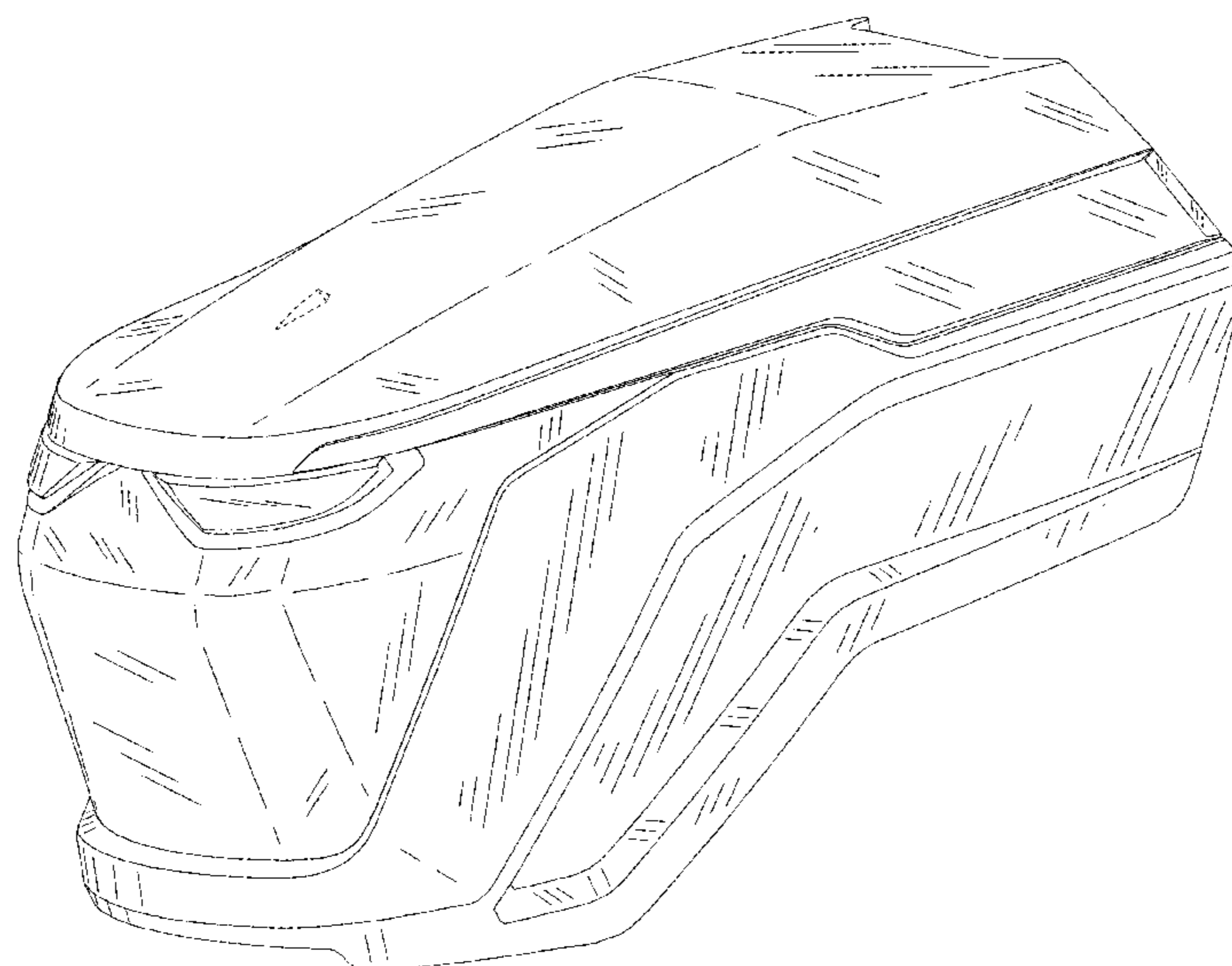
**DESCRIPTION**

FIG. 1 is a top, front, left perspective view of a hood for a work machine according to our new design; FIG. 2 is a left side elevational view thereof; FIG. 3 is a right side elevational view thereof; FIG. 4 is a front elevational view thereof; FIG. 5 is a rear elevational view thereof; FIG. 6 is a top plan view thereof; and, FIG. 7 is a bottom plan view thereof. The broken line representations in the figures show unclaimed environment or boundaries, and thus form no part of the claimed design.

(56) **References Cited**  
**U.S. PATENT DOCUMENTS**

2,216,366 A 10/1940 Greene  
D283,135 S 3/1986 Funabashi et al.  
D294,223 S 2/1988 Gollon et al.  
D304,589 S 11/1989 Lanphere et al.  
D310,374 S 9/1990 Westimayer et al.  
D311,543 S 10/1990 Hardzinski et al.  
D327,276 S 6/1992 Sorensen  
D329,242 S 9/1992 Holm et al.

**1 Claim, 7 Drawing Sheets**



(56)

References Cited

U.S. PATENT DOCUMENTS

D447,754 S	9/2001	Smith et al.	D628,599 S	12/2010	Major
D448,037 S	9/2001	Westimayer et al.	D629,017 S	12/2010	Major
D451,106 S	11/2001	Crookes et al.	D631,489 S	1/2011	Booth et al.
D451,870 S	12/2001	Hurayt	D632,312 S	2/2011	Booth et al.
D458,944 S	6/2002	Crookes et al.	D636,000 S	4/2011	Kim et al.
D470,811 S	2/2003	Carroll	D637,127 S	5/2011	Faghihzadeh
D471,142 S	3/2003	Carroll	D641,027 S	7/2011	Kawashiri et al.
D471,143 S	3/2003	Carroll	D642,597 S	8/2011	Krogh et al.
D474,206 S *	5/2003	Kuwae ..... D15/31	D643,444 S	8/2011	Colvin et al.
D476,100 S	6/2003	Lin	D646,305 S	10/2011	Krogh et al.
6,595,550 B1	7/2003	Meazzi	D646,333 S	10/2011	Davis
D483,383 S	12/2003	Crookes et al.	D649,584 S	11/2011	Kovaliv
D484,080 S	12/2003	Yamamoto et al.	D655,317 S	3/2012	Hagele
D492,922 S	7/2004	Numata	D655,318 S	3/2012	Hagele
D495,344 S	8/2004	Farlow et al.	D655,319 S *	3/2012	Hagele ..... D15/31
D495,345 S	8/2004	Farlow et al.	D659,060 S	5/2012	Inoue et al.
D496,314 S	9/2004	Perfetti et al.	D660,753 S	5/2012	Faghihzadeh
D499,680 S	12/2004	Lucas	D660,755 S	5/2012	Inoue et al.
D512,079 S	11/2005	Farlow et al.	D660,874 S	5/2012	Werner et al.
D512,445 S	12/2005	Farlow et al.	D661,323 S	6/2012	Krogh et al.
D517,121 S	3/2006	Li	D662,524 S	6/2012	Crookes et al.
D520,527 S	5/2006	Crookes et al.	D663,229 S	7/2012	Waltersdorf
D521,532 S	5/2006	Higashikawa	D663,752 S	7/2012	Hickman et al.
D527,742 S *	9/2006	Kuwae ..... D15/31	D663,753 S	7/2012	Hickman et al.
D527,743 S *	9/2006	Asada ..... D15/31	D665,428 S	8/2012	Hickman et al.
D532,021 S *	11/2006	Kuwae ..... D15/17	D665,429 S	8/2012	Hickman et al.
D533,882 S	12/2006	Higashikawa	D668,695 S	10/2012	Ringer
D546,254 S	7/2007	Teng	D673,489 S	1/2013	Hanson et al.
D546,255 S	7/2007	Teng	D674,938 S	1/2013	Lai
D553,159 S	10/2007	Higashikawa et al.	D675,233 S	1/2013	Kushita et al.
D553,161 S	10/2007	Matsumoto	D676,466 S	2/2013	Ewringmann et al.
D553,268 S	10/2007	Pfeiffer	D676,786 S	2/2013	Werner et al.
D554,669 S	11/2007	Crookes et al.	D682,323 S	5/2013	Ryan et al.
D556,789 S	12/2007	Kitayama et al.	D682,324 S	5/2013	Ryan et al.
D557,714 S	12/2007	Higashikawa	D697,536 S	1/2014	Nuebel
D558,797 S	1/2008	Yamamoto et al.	D699,765 S	2/2014	Tentinger et al.
D558,799 S	1/2008	Higashikawa	D699,766 S	2/2014	Ryan et al.
D560,693 S	1/2008	Moen et al.	D703,699 S	4/2014	Shimomura et al.
D565,211 S	3/2008	Haller et al.	D704,749 S	5/2014	Shimomura et al.
D567,257 S	4/2008	Wilkens	D704,750 S	5/2014	Shimomura et al.
D570,015 S	5/2008	Hsu	D706,841 S	6/2014	Shimomura et al.
D570,382 S	6/2008	Higashikawa	D707,729 S	6/2014	Jackson et al.
D574,022 S	7/2008	Higashikawa	D707,730 S	6/2014	Jackson et al.
D581,467 S	11/2008	Winningham et al.	D709,419 S	7/2014	Watkins
D581,955 S	12/2008	Matsumoto et al.	D710,264 S	8/2014	Watkins et al.
D591,437 S	4/2009	Saridakis et al.	D711,302 S	8/2014	van Braeckel
D591,777 S	5/2009	Kokitkar et al.	D711,930 S	8/2014	Kuwae et al.
D593,233 S	5/2009	Bai et al.	D713,075 S	9/2014	Lee
D594,797 S	6/2009	Lee	D714,838 S	10/2014	Shimomura et al.
D594,908 S	6/2009	Sauter	D715,332 S	10/2014	Kuwae
D595,778 S	7/2009	Sauter	D716,348 S	10/2014	Ryan et al.
D595,779 S	7/2009	Sauter	D716,846 S	11/2014	Carter et al.
D596,205 S	7/2009	Kawashiri et al.	D717,838 S	11/2014	Kuwae et al.
D596,671 S	7/2009	Sauter	D720,371 S	12/2014	Furukawa et al.
D598,831 S	8/2009	Honsel et al.	D720,871 S	1/2015	Lim et al.
D600,183 S	9/2009	Habib	D721,105 S	1/2015	Okuyama et al.
D600,185 S	9/2009	Habib	D721,994 S	2/2015	Graber et al.
D600,376 S	9/2009	Sugiura	D722,187 S	2/2015	Gerardo
D601,730 S	10/2009	Richards et al.	D727,371 S	4/2015	Rhayakar et al.
D602,047 S	10/2009	Kushita et al.	D728,631 S	5/2015	Richard et al.
D602,507 S	10/2009	Kushita	D728,640 S	5/2015	Turner et al.
D602,616 S	10/2009	Okamura et al.	D729,281 S	5/2015	Carter et al.
D602,991 S	10/2009	Sauter	D729,282 S	5/2015	Sasaki
D605,668 S	12/2009	Matsumoto et al.	D733,767 S	7/2015	Kushita et al.
D607,391 S	1/2010	Krauss	D733,945 S	7/2015	Kennemer et al.
D609,750 S	2/2010	Sauter	D740,976 S	10/2015	Ko et al.
D611,963 S	3/2010	Kuwae et al.	D743,065 S	11/2015	Weil
D613,220 S	4/2010	Ikeda et al.	D745,717 S	12/2015	Wu
D613,313 S	4/2010	Bhanuprakash	D748,677 S	2/2016	Kushita et al.
D614,105 S	4/2010	Elliott et al.	D751,611 S	3/2016	Smith et al.
D620,157 S	7/2010	Frenzel et al.	D753,194 S	4/2016	Jackson et al.
D620,503 S	7/2010	Krogh et al.	D753,195 S	4/2016	Jackson et al.
D620,955 S	8/2010	Krogh et al.	D754,210 S	4/2016	Margutti et al.
D621,757 S	8/2010	Denet	D755,256 S	5/2016	Okuyama et al.
D623,104 S	9/2010	Akasawa et al.	D756,003 S	5/2016	Kong et al.
			D756,421 S	5/2016	Okuyama et al.
			D757,826 S	5/2016	Hartz et al.
			D759,129 S	6/2016	Kushita et al.
			D760,410 S	6/2016	Arroba

(56)

References Cited

U.S. PATENT DOCUMENTS

D760,815 S 7/2016 Okuyama et al.  
 D765,740 S 9/2016 Jackson et al.  
 D766,339 S \* 9/2016 Hanke ..... D15/31  
 D766,340 S 9/2016 Jackson et al.  
 D766,341 S 9/2016 Jacobsthal et al.  
 D768,210 S 10/2016 Jacobsthal et al.  
 D772,309 S 11/2016 Underhill et al.  
 D777,215 S 1/2017 Moritaka et al.  
 D777,219 S 1/2017 Hanke et al.  
 D777,220 S 1/2017 Powell  
 D777,957 S 1/2017 Ha et al.  
 D778,963 S 2/2017 Yang et al.  
 D783,059 S 4/2017 Okuyama et al.  
 D784,887 S 4/2017 Woolley  
 D785,050 S 4/2017 Okuyama et al.  
 D785,051 S 4/2017 Okuyama et al.  
 D785,053 S 4/2017 Okuyama et al.  
 D785,681 S 5/2017 Okuyama et al.  
 D786,945 S 5/2017 Smith et al.  
 D787,721 S 5/2017 Lai  
 D789,427 S 6/2017 Jackson et al.  
 D792,483 S 7/2017 Jackson et al.  
 D797,332 S 9/2017 Lin  
 D799,728 S 10/2017 Whitla et al.  
 D802,871 S 11/2017 Knie  
 D803,435 S 11/2017 Cotner et al.  
 D804,539 S 12/2017 Okuyama et al.  
 D809,682 S 2/2018 Lin  
 D816,125 S 4/2018 Galib et al.  
 D822,241 S 7/2018 Lee et al.  
 D824,058 S 7/2018 Hong et al.  
 D828,245 S 9/2018 Scott  
 D837,837 S 1/2019 Park  
 D843,421 S 3/2019 Gonzales et al.  
 D843,621 S 3/2019 Yang  
 D851,794 S 6/2019 Lin  
 D854,056 S 7/2019 Futagami et al.  
 D861,741 S \* 10/2019 Humphrey ..... D15/31  
 D866,824 S 11/2019 Lin  
 D874,033 S 1/2020 Park Cheng et al.  
 D880,537 S \* 4/2020 Roach ..... D15/31  
 D883,535 S 5/2020 He  
 D887,041 S 6/2020 Lin  
 D890,382 S 7/2020 Wu  
 D892,369 S 8/2020 Lin  
 D893,066 S 8/2020 Lin  
 D895,730 S 9/2020 Nagelin et al.  
 D902,815 S 11/2020 Wheel  
 D910,086 S 2/2021 Keen et al.  
 2004/0123504 A1 7/2004 Williams, Jr.  
 2014/0217718 A1 8/2014 O'Donnell et al.  
 2015/0307033 A1 10/2015 Preisler et al.  
 2018/0117954 A1 5/2018 Brown

FOREIGN PATENT DOCUMENTS

KR 300611812 S 9/2011  
 KR 300789169 S 3/2015

OTHER PUBLICATIONS

AGCO, Fendt 200 Vario, available at least as early as May 2015, 17 pages.  
 Big 4, available at least as early as May 2015, 1 page.  
 CASE Farmall A Series Tractors Brochure, 2011, 1 page.  
 CASE Farmall C Tractors Brochure, 2013, 4 pages.  
 CASE Farmall U Tractors Brochure 11-13, 2013, 8 pages.  
 CASE Magnum 180-380 Brochure, 2014, 14 pages.  
 CASE Maxxum Series Tractors Brochure, 2012, 9 pages.  
 CASE Puma Series Brochure, 2011, 9 pages.  
 CASE Steiger Tractor Brochure, 2014, 15 pages.

Challenger MT 465 B Tractor Decals, retrieved from Internet <<https://equipment-decals.myshopify.com/products/challenger-mt-465-b-tractor-decals>>, Jun. 26, 2019, 3 pages.  
 Cub Cadet, available at least as early as May 2015, 1 page.  
 Deere & Co., Deere 8 Series, 2015, 6 pages.  
 Deere flared fenders, available at least as early as May 2015, 1 page.  
 Deere reverse decal, available at least as early as May 2015, 1 page.  
 Deutz 308 Series 7, available at least as early as May 2015, 13 pages.  
 Deutz 5 series brochure, available at least as early as May 2015, 24 pages.  
 Deutz agrofarm-g brochure, available at least as early as May 2015, 11 pages.  
 Deutz-Fahr (7250 TTV Warrior), available at least as early as May 2015, 4 pages.  
 Deutz-Fahr 6 Series, available at least as early as May 2015, 32 pages.  
 Deutz-Fahr, Deutz Agroclimber F-V—Tractors Crawlers, retrieved from internet <<http://www.deutz-fahr.com/en-US/products/tractors/722-agroclimber-f-v>>, May 19, 2015, 5 pages.  
 Deutz-Fahr, Deutz Agrolux 310-320-410—Tractors Open field, retrieved from internet <<http://www.deutz-fahr.com/en-US/products/tractors/864-agrolux-310-320-410>>, May 19, 2015, 4 pages.  
 Deutz-Fahr, Deutz Agrolux 65-75—Tractors Open field, retrieved from internet <<http://www.deutz-fahr.com/en-US/products/tractors/835-agrolux-65-75>>, May 19, 2015, 2 pages.  
 International Harvester, available at least as early as May 2015, 1 page.  
 John Deere Pedal Tractor Decals Tractors, retrieved from internet <<http://todayview.co/ideas/>>, Jun. 26, 2019, 3 pages.  
 Mahindra JIVO 245, retrieved from internet <<https://tractorsinfo.com/mahindra-jivo-245-di-4wd-mini-tractor-price-list/>>, Jun. 26, 2019, 9 pages.  
 Mahindra targets 50% share in domestic tractor market with Trakstar brand, retrieved from internet <<https://www.moneycontrol.com/news/technology/auto/mahindra-targets-50-share-in-domestic-tractor-market-with-trakstar-brand-2645381.html>>, Jun. 27, 2019, 6 pages.  
 Mahindra Tractor JIVO 245 DI, retrieved from internet <<https://www.tractorjunction.com/product/370/mahindra-tractor-jivo-245-di>>, Jun. 26, 2019, 5 pages.  
 Massey Ferguson, available at least as early as May 2015, 1 page.  
 Solis 75N Traktor Schlepper Kein New Holland, retrieved from internet <<https://www.mascus.com/agriculture/used-tractors/solis-75n-traktor-schlepper-kein-new-h>>, Jun. 26, 2019, 3 pages.  
 Tractor Decals, retrieved from internet <<https://www.indiamart.com/proddetail/tractor-decals-10179545988.html>>, Jun. 29, 2019, 4 pages.  
 Agritechnica 2017—Gold and Silver, <https://www.agritechnica.com/en/innovation-award/gold-and-silver/>, accessed Dec. 5, 2017, 18 pages.  
 AGCO, Fendt 300 Vario Power and Profi equipment, 2015, 12 pages.  
 AGCO, Fendt 500 Vario Model versions, Technical Specifications, 2015, 1 page.  
 AGCO, Fendt 700 Series, 2012 AGCO, 32 pages.  
 AGCO, Fendt 800 Series, 2014 AGCO, 4 pages.  
 AGCO, Fendt 900 Vario, 2014, 29 pages.  
 AGCO, Fendt X Concept Tractors, <http://www.fendt.com/us/2466.asp>, accessed May 18, 2015, 3 pages.  
 Huenink et al., Hood for a Work Machine, Design U.S. Appl. No. 29/671,766, filed Nov. 29, 2018, 8 pages.  
 Anderson, Work Vehicle Hood and Work Vehicle, Design U.S. Appl. No. 29/684,678, filed Mar. 22, 2019, 13 pages.  
 Huegerich et al., Work Vehicle and Body Assembly Thereof, Design U.S. Appl. No. 29/709,227, filed Oct. 11, 2019, 45 pages.  
 Rush et al., Work Vehicle, Toy, Replica and/or Display Screen With Virtual Model Thereof, Design U.S. Appl. No. 29/725,287, filed Feb. 24, 2020, 75 pages.  
 Dunnigan et al., Work Vehicle, Toy, Replica and/or Display Screen With Virtual Model Thereof, Design U.S. Appl. No. 29/725,291, filed Feb. 24, 2020, 18 pages.

\* cited by examiner

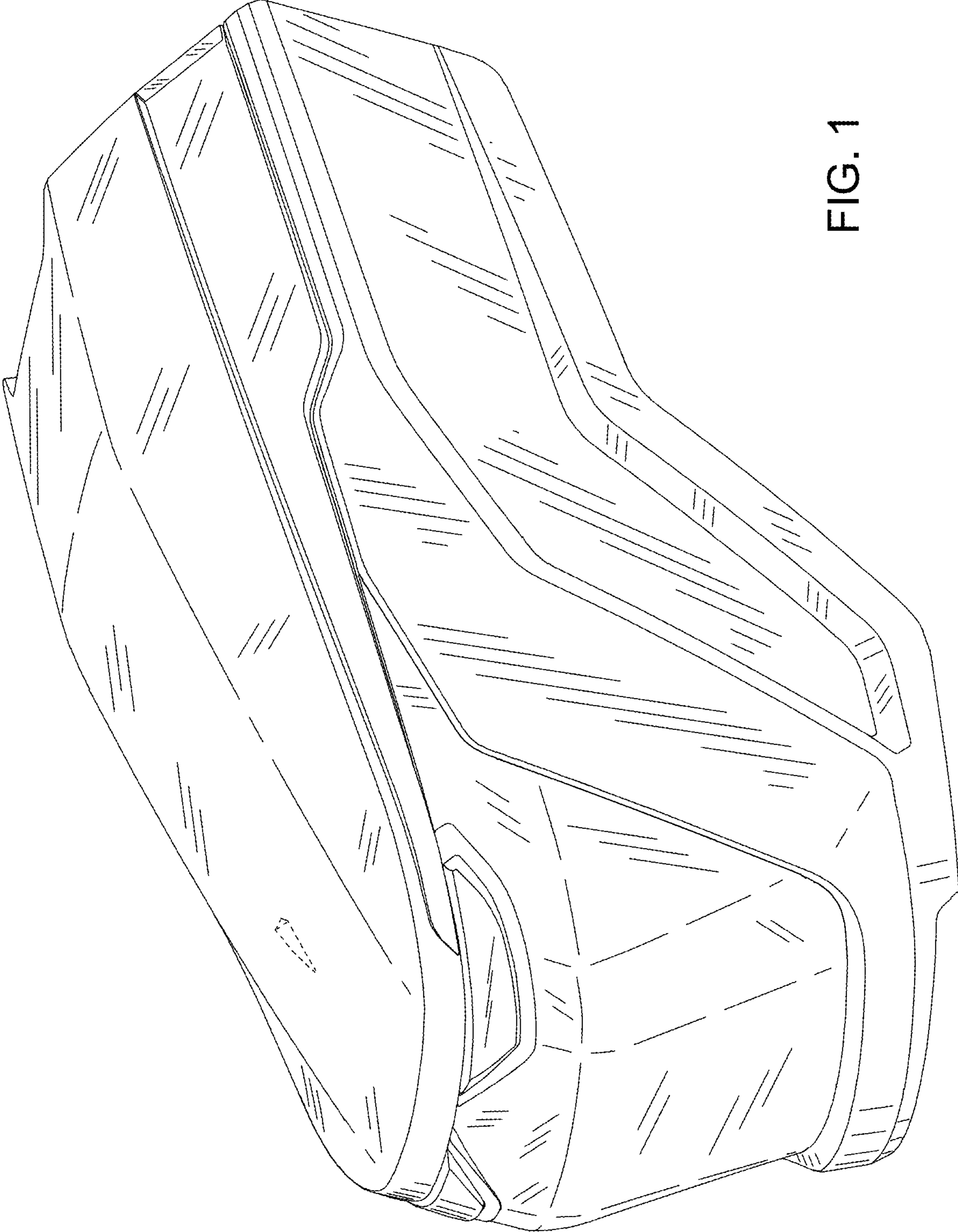


FIG. 1

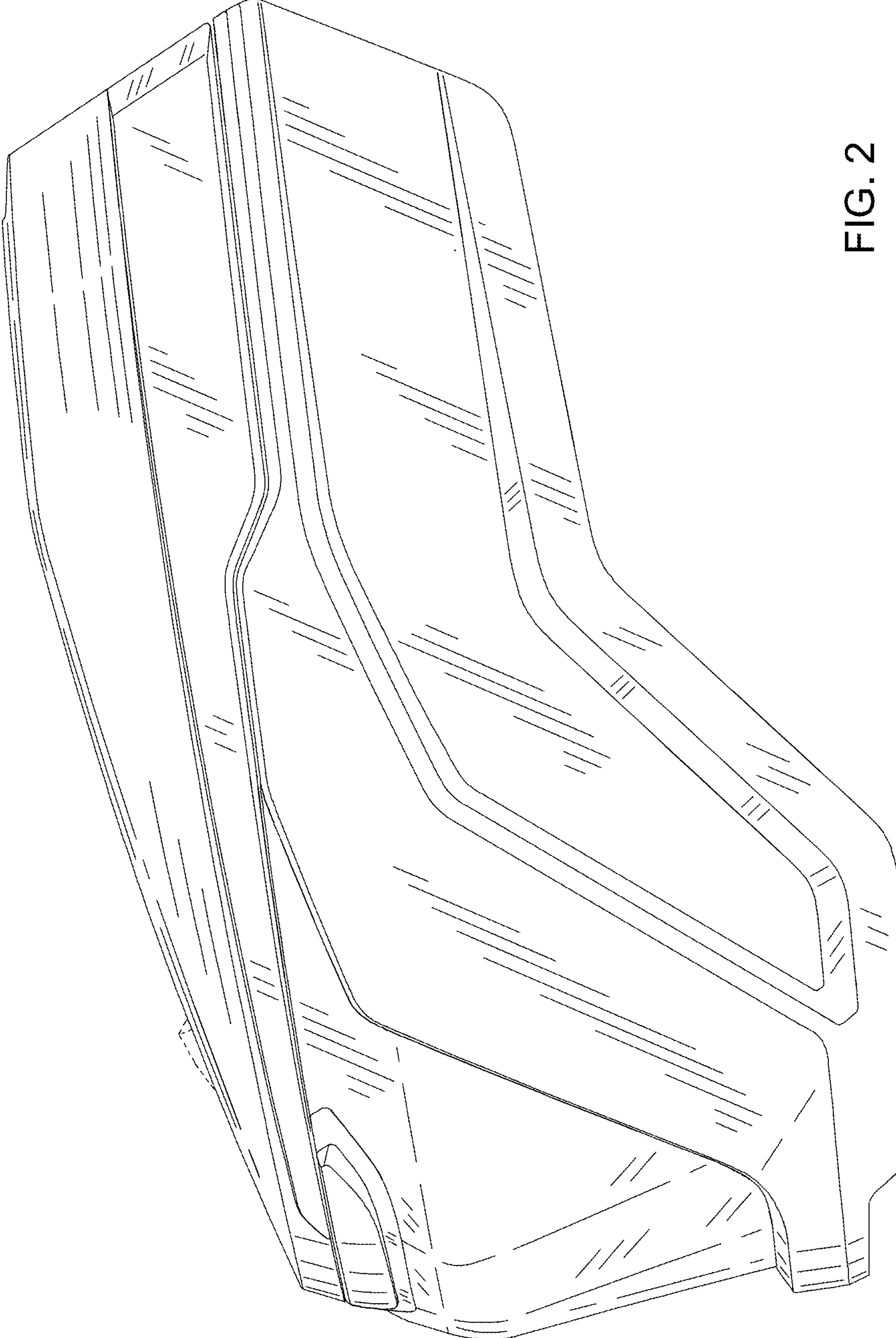


FIG. 2

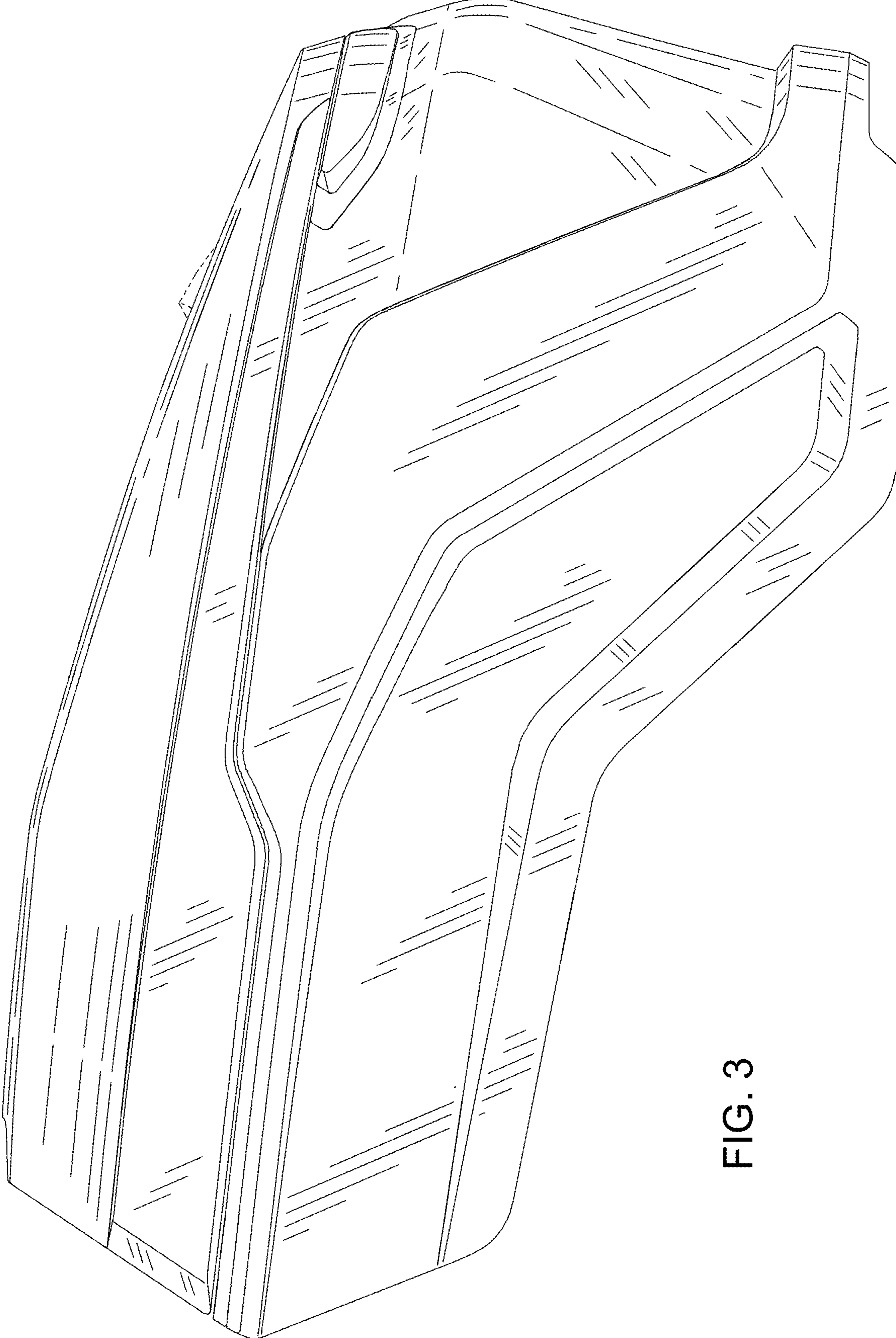


FIG. 3

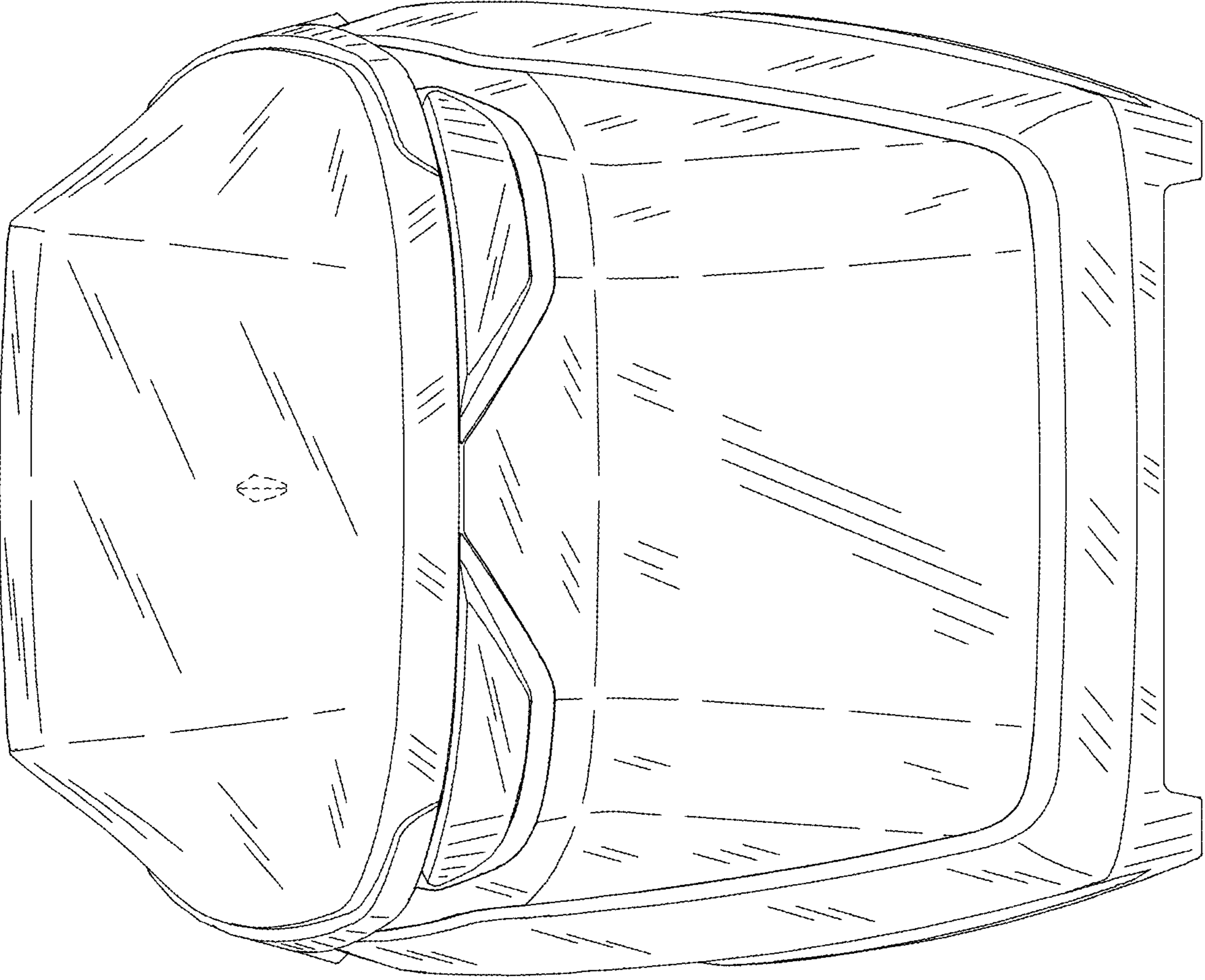


FIG. 4

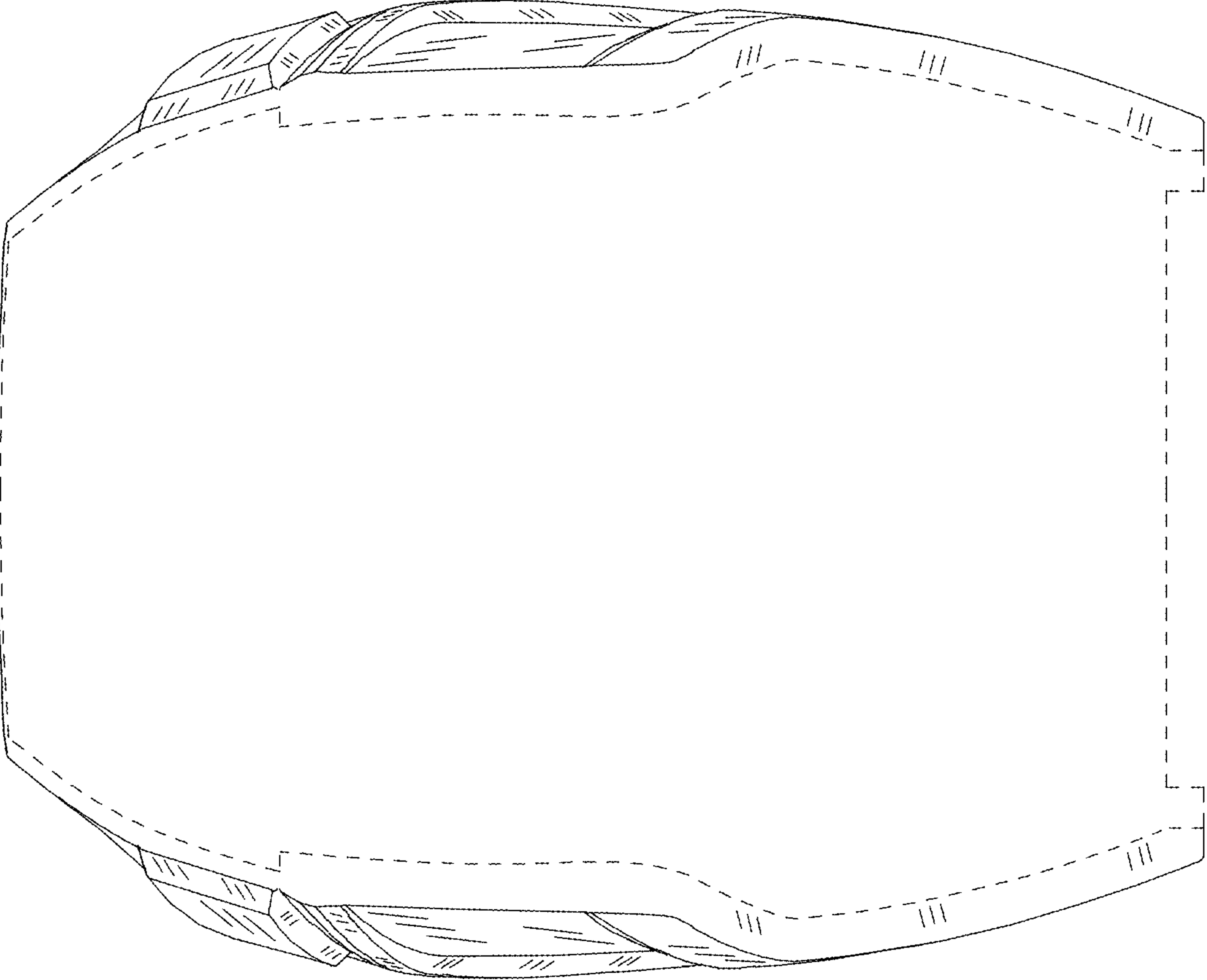


FIG. 5



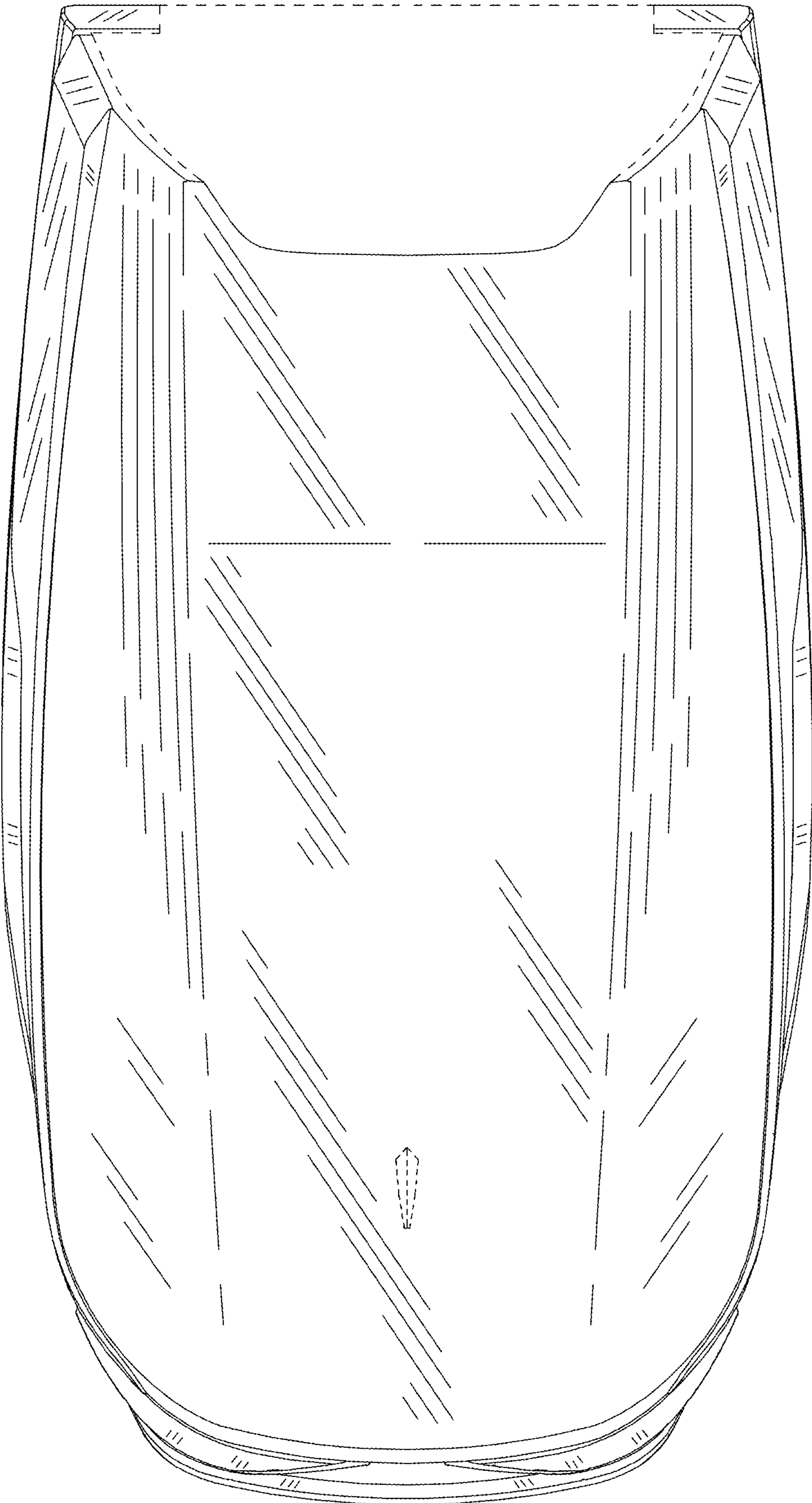


FIG. 6

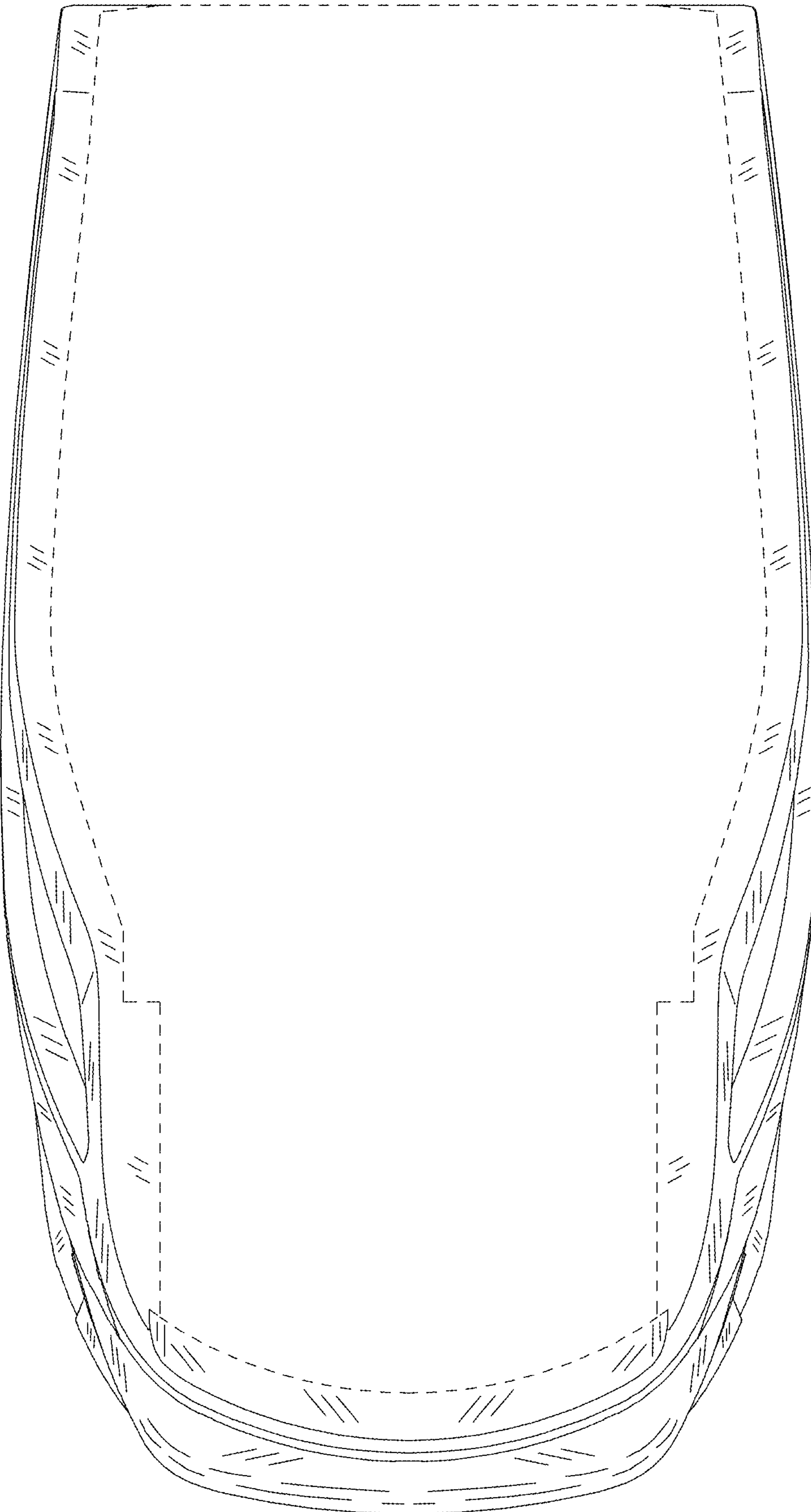


FIG. 7