



US00D943643S

(12) **United States Design Patent**  
**Curtis**

(10) **Patent No.:** **US D943,643 S**

(45) **Date of Patent:** **\*\* Feb. 15, 2022**

(54) **GROUSER CAGE FOR COMPACTING AND PREPARATION OF SOIL AND SEEDING APPARATUS**

(71) Applicant: **Marlon Lane Curtis**, Clinton, PA (US)

(72) Inventor: **Marlon Lane Curtis**, Clinton, PA (US)

(\*\*) Term: **15 Years**

(21) Appl. No.: **29/753,782**

(22) Filed: **Oct. 1, 2020**

(51) **LOC (13) Cl.** ..... **15-03**

(52) **U.S. Cl.**  
USPC ..... **D15/28**; D15/20

(58) **Field of Classification Search**  
USPC ..... D15/20, 21, 27, 28, 29  
CPC ..... A01B 29/00; A01B 29/02; A01B 29/04;  
A01B 29/041; A01B 29/043; A01B  
29/045; A01B 29/046; A01B 29/048;  
A01B 29/06; A01C 23/026

See application file for complete search history.

(56) **References Cited**

**U.S. PATENT DOCUMENTS**

24,597	A *	6/1859	Young	.....	A01B 29/048 172/68
52,496	A *	2/1866	Myers	.....	A01B 29/045 172/547
107,074	A *	9/1870	McConaughy	.....	A01B 33/021 172/554
186,684	A *	1/1877	Martin	.....	A01B 29/045 172/547
231,757	A *	8/1880	Caldwell et al.	.....	A01C 5/06 111/69
337,480	A *	3/1886	Clay	.....	A01B 29/041 172/545
500,253	A *	6/1893	Johnson et al.	.....	A01B 29/045 172/547

527,993	A *	10/1894	Jones	.....	A01B 29/048 172/68
1,069,264	A *	8/1913	Keller	.....	A01B 29/041 172/154
1,250,570	A *	12/1917	Dunham	.....	A01B 29/041 172/154
1,483,789	A *	2/1924	Earhart	.....	A01B 35/16 172/554
1,637,424	A *	8/1927	Morrow	.....	A01B 29/041 172/537
1,662,052	A *	3/1928	Bullock	.....	A01B 27/00 172/543

(Continued)

*Primary Examiner* — Mark A Goodwin

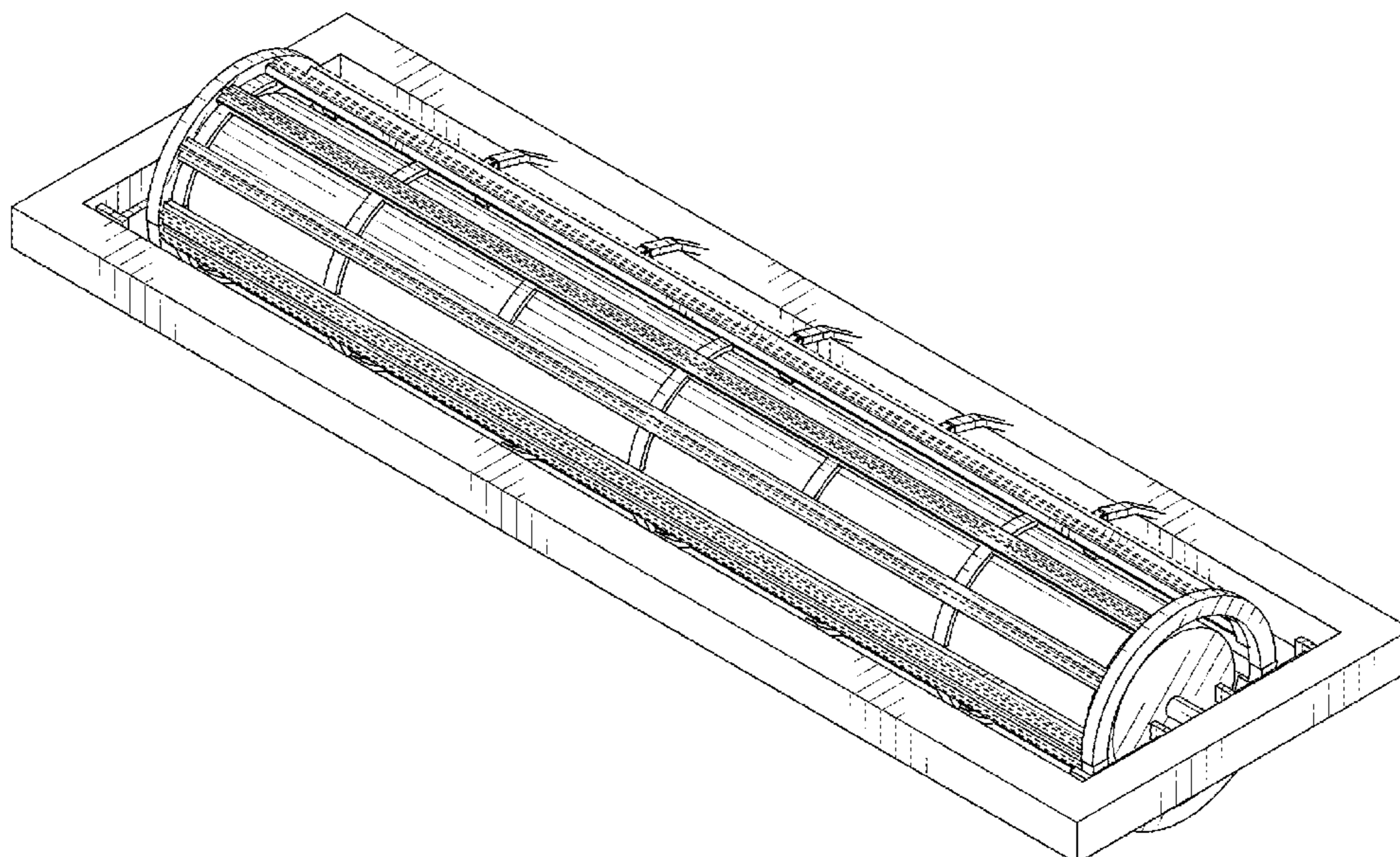
(57) **CLAIM**

The ornamental design for a grouser cage for compacting and preparation of soil and seeding apparatus, as shown and described.

**DESCRIPTION**

FIG. 1 is a front-top-left view of a grouser cage for compacting and preparation of soil and seeding apparatus showing my new design;  
 FIG. 2 is a front elevational view thereof;  
 FIG. 3 is a rear elevational view thereof;  
 FIG. 4 is a top plan view thereof;  
 FIG. 5 is a bottom plan view thereof;  
 FIG. 6 is a right elevational view thereof;  
 FIG. 7 is a left elevational view thereof;  
 FIG. 8 is a reduced front-top-left perspective view of the grouser cage for compacting and preparation of soil and seeding apparatus in an exploded configuration; and,  
 FIG. 9 is a reduced left plan view of grouser cage for compacting and preparation of soil and seeding apparatus in the exploded configuration.  
 The broken lines showing cleats in FIGS. 1, 2, 3, 4, 5, and 8 are included for the purpose of showing environmental structure and form no part of the claimed design.

**1 Claim, 9 Drawing Sheets**



(56)

References Cited

U.S. PATENT DOCUMENTS

1,855,091	A *	4/1932	Brown	.....	A01B 29/04	172/529
1,858,948	A *	5/1932	Bird	.....	A01B 29/045	172/554
2,040,710	A *	5/1936	Riehl	.....	A01B 29/041	172/154
2,209,478	A *	7/1940	Selhorst	.....	A01B 49/027	172/142
2,678,593	A *	5/1954	Hugman	.....	E01C 19/266	404/124
2,687,683	A *	8/1954	Chattin	.....	A01B 35/16	172/552
2,754,734	A *	7/1956	Gardner	.....	E02D 3/026	404/124
2,776,532	A *	1/1957	Buchholz	.....	A01B 29/045	172/554
2,811,912	A *	11/1957	Howard	.....	A01B 29/048	172/550
2,966,948	A *	1/1961	Ulsh	.....	A01B 29/06	172/72
3,022,755	A *	2/1962	Roepke	.....	A01C 7/04	111/171
3,220,369	A *	11/1965	Gandrud	.....	A01B 29/04	111/130
3,392,791	A *	7/1968	Orthman	.....	A01B 27/00	172/105
3,714,913	A *	2/1973	Gandrud	.....	A01C 15/00	111/80
3,832,079	A *	8/1974	Moorhead	.....	B44B 5/0009	404/72
3,910,712	A *	10/1975	Guerin	.....	A01B 29/00	404/124
4,240,510	A *	12/1980	Morin	.....	A01B 29/045	172/39
D258,657	S *	3/1981	Stark	.....	D15/27	
4,360,065	A *	11/1982	Jenison	.....	A01B 33/021	172/119
4,492,172	A *	1/1985	Gramckow	.....	A01C 5/06	111/130
5,353,724	A *	10/1994	Wheeley, Jr.	.....	A01B 29/06	111/118
5,421,670	A *	6/1995	Meirick	.....	E01C 19/43	404/124
6,003,453	A *	12/1999	Epp	.....	A01B 49/06	111/157
6,068,061	A *	5/2000	Smith	.....	A01B 13/08	172/139
6,708,777	B1 *	3/2004	Holmes	.....	A01B 29/045	172/547
6,945,182	B1 *	9/2005	Haukaas	.....	A01B 29/04	111/136
6,962,039	B2 *	11/2005	Greenhoe	.....	A01B 29/041	56/16.7
6,968,907	B1 *	11/2005	Raper	.....	A01B 29/045	172/518
7,562,517	B1 *	7/2009	Kornecki	.....	A01B 13/02	172/554
7,730,961	B2 *	6/2010	Ward	.....	A01B 29/041	172/537
7,814,613	B1 *	10/2010	Whittaker	.....	A47L 11/22	15/366
8,491,451	B2 *	7/2013	Phely	.....	A01B 29/043	492/30
8,714,278	B2 *	5/2014	Wright	.....	A01B 29/043	172/519
8,898,859	B2 *	12/2014	Song	.....	A47L 9/0483	15/382
9,192,098	B2 *	11/2015	Hinton	.....	A01D 34/8355	
D747,052	S *	1/2016	Therrien	.....	D32/31	
9,255,365	B1 *	2/2016	Schmidt	.....	E01C 19/286	
9,326,439	B2 *	5/2016	Westlind	.....	A01B 33/142	
9,516,803	B1 *	12/2016	Rosenboom	.....	A01C 5/068	
D816,726	S *	5/2018	Cloutier Boily	.....	D15/28	
10,412,874	B2 *	9/2019	Post	.....	A01B 29/041	
D861,739	S *	10/2019	Fox	.....	D15/28	
10,863,662	B2 *	12/2020	Piou	.....	A01B 29/043	
D914,307	S *	3/2021	Weis	.....	D32/31	
11,006,562	B2 *	5/2021	Meier	.....	E01C 23/127	
11,111,638	B2 *	9/2021	Marsolek	.....	E02D 3/0265	
2002/0000323	A1 *	1/2002	McDonald	.....	A01B 29/041	172/537
2003/0167745	A1 *	9/2003	Greenhoe	.....	A01B 45/00	56/16.7
2007/0240888	A1 *	10/2007	Wright	.....	A01B 29/041	172/21
2010/0135724	A1 *	6/2010	Roth	.....	E02D 3/046	404/124
2013/0062084	A1 *	3/2013	Casper	.....	A01B 49/027	172/540
2016/0047103	A1 *	2/2016	Pratt	.....	E01C 19/266	404/121
2017/0049037	A1 *	2/2017	Hilvers	.....	A01B 29/048	
2019/0183026	A1 *	6/2019	Meier	.....	E01C 23/12	
2021/0161056	A1 *	6/2021	Meier	.....	E01C 19/266	
2021/0161057	A1 *	6/2021	Meier	.....	A01B 29/048	

\* cited by examiner

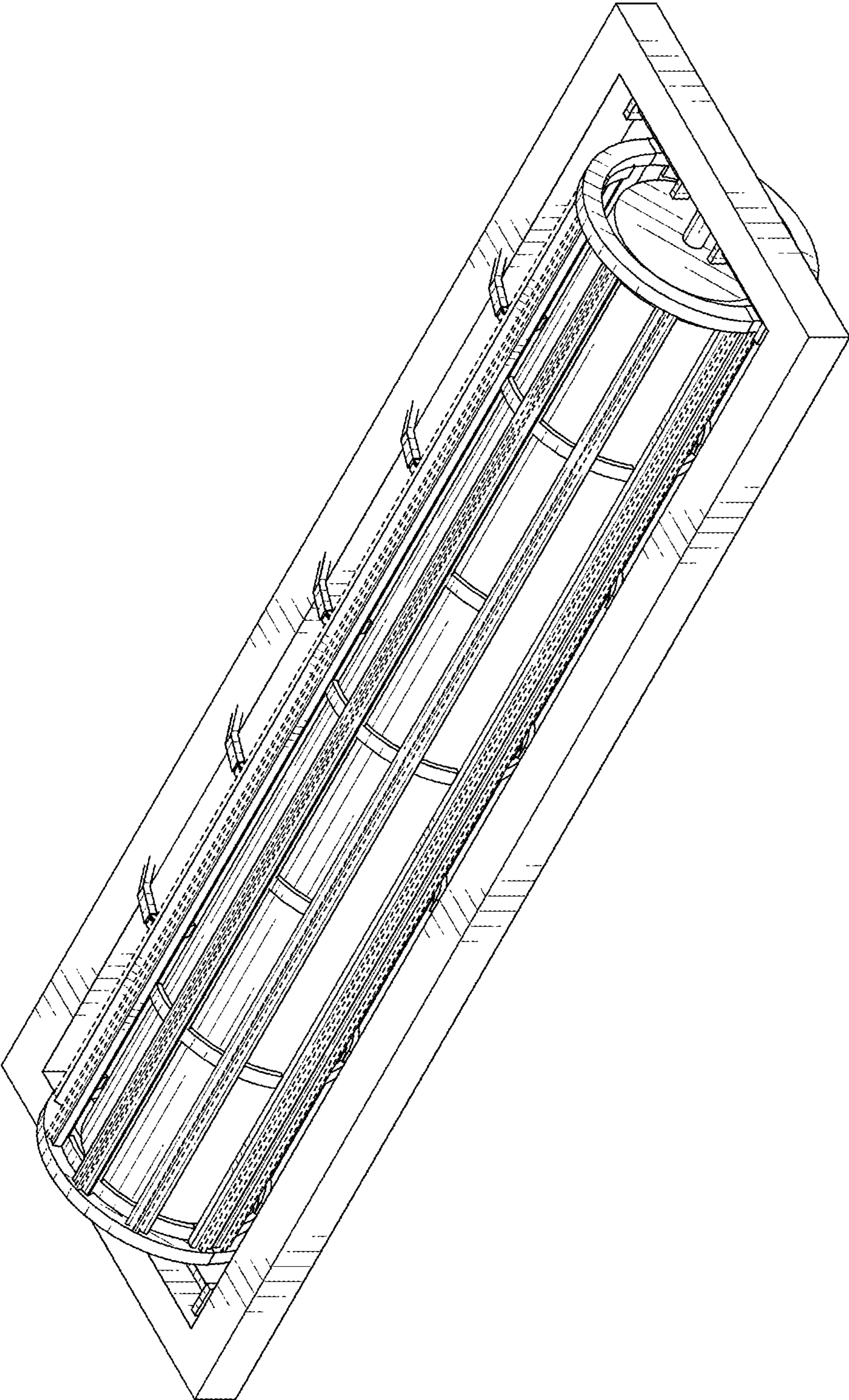


FIG. 1

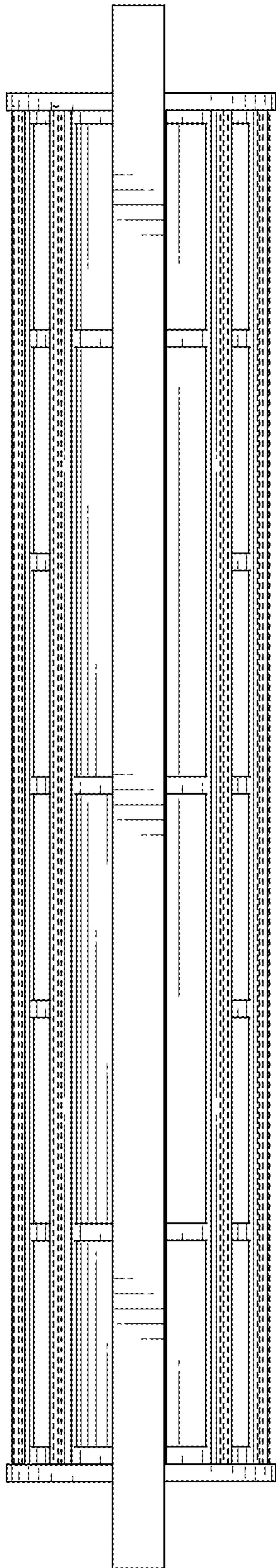


FIG. 2

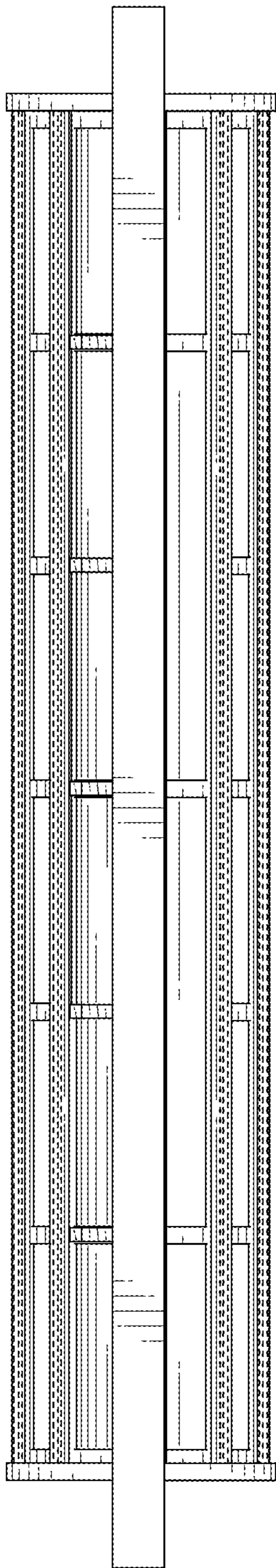


FIG. 3

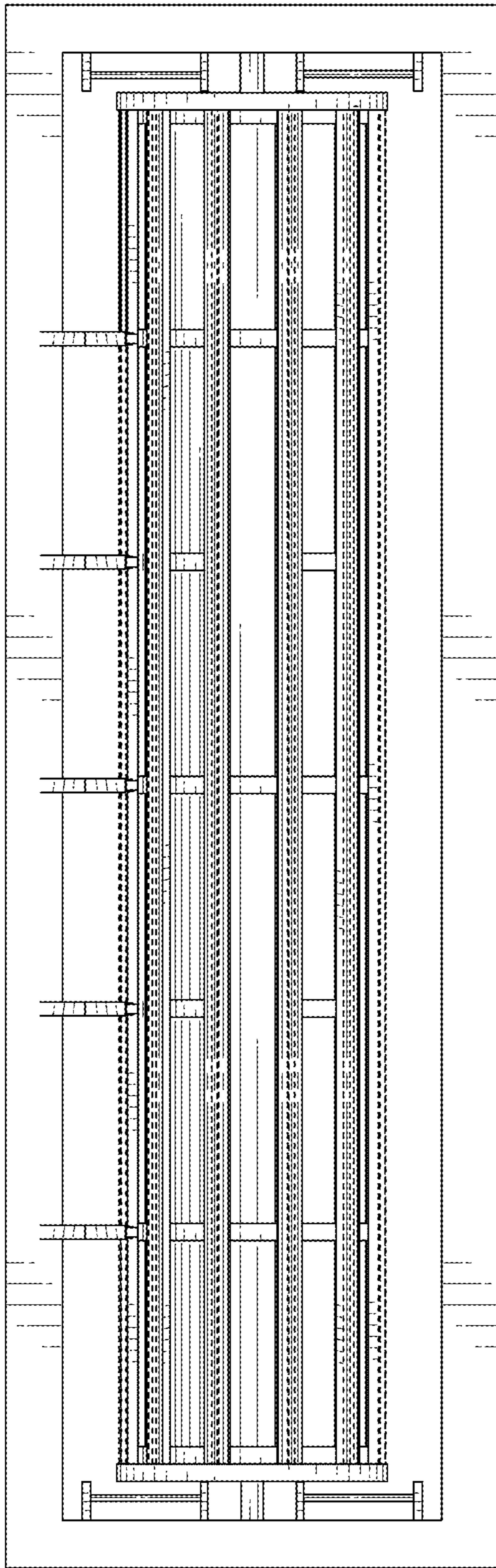


FIG. 4

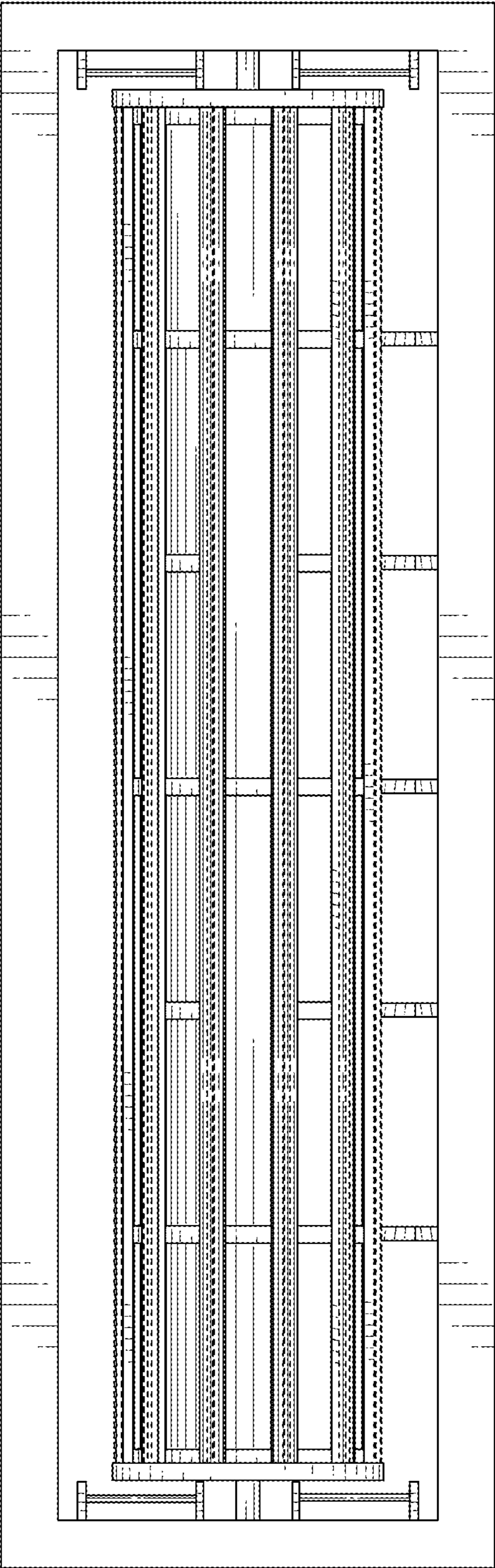


FIG. 5

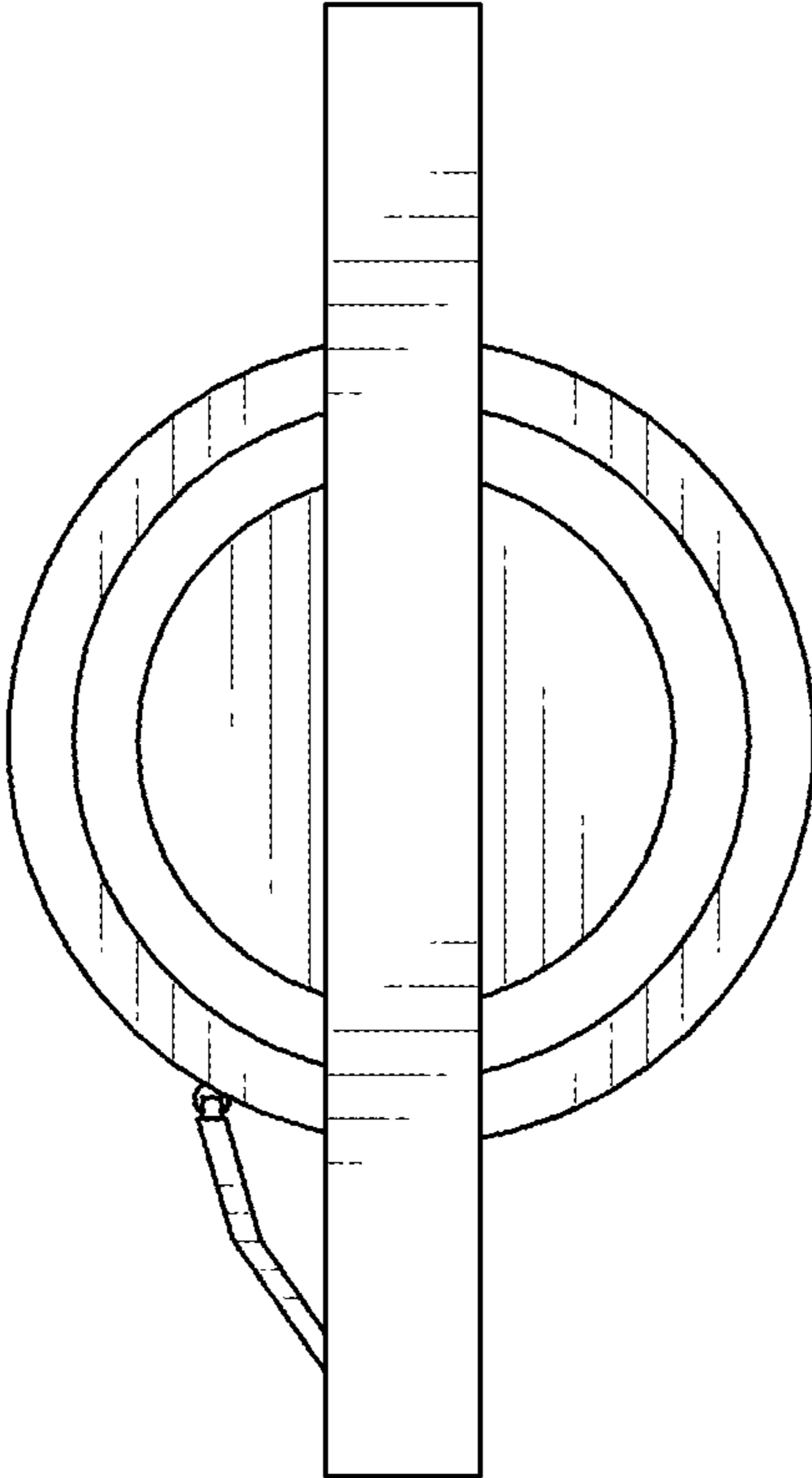


FIG. 6



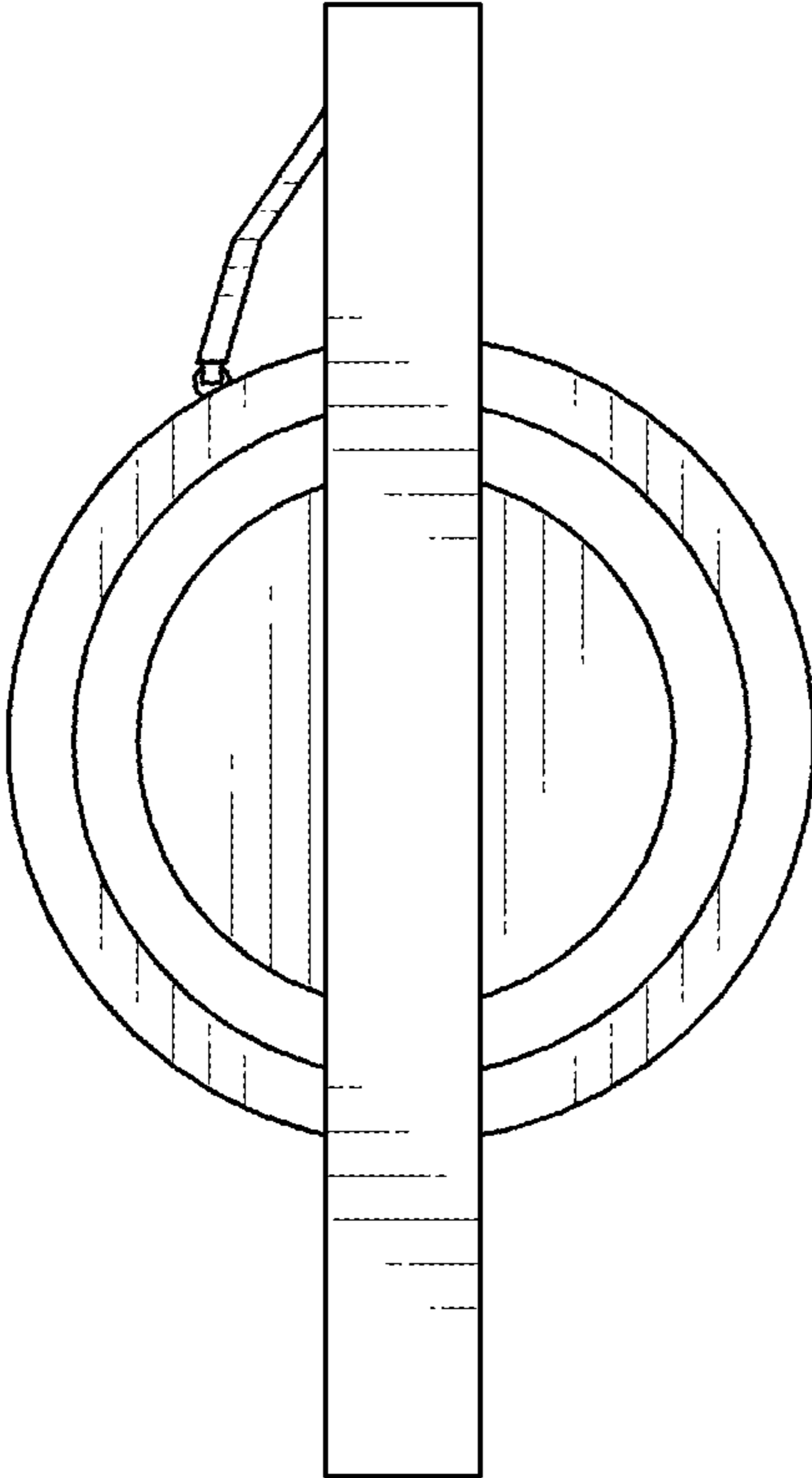


FIG. 7

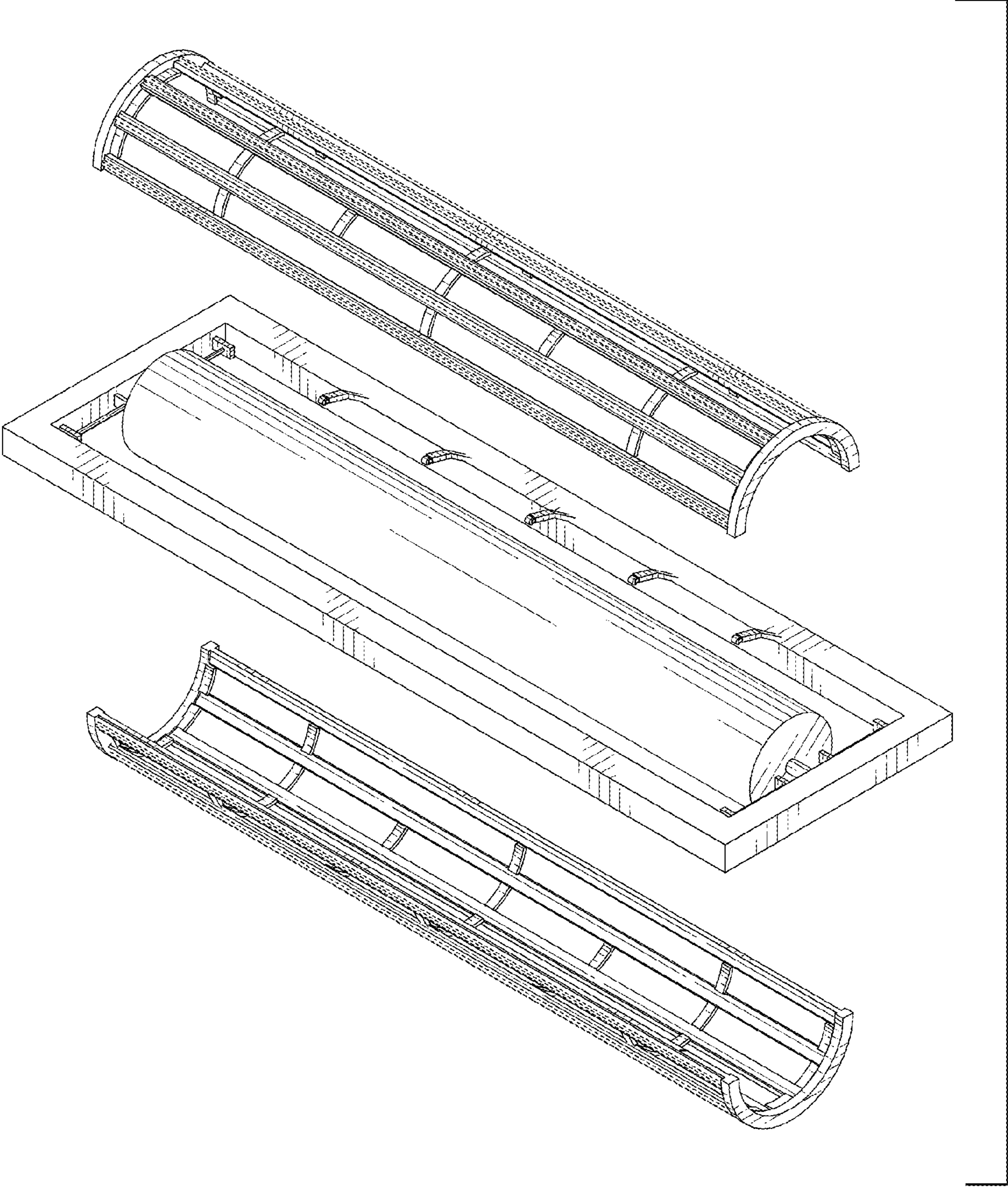


FIG. 8

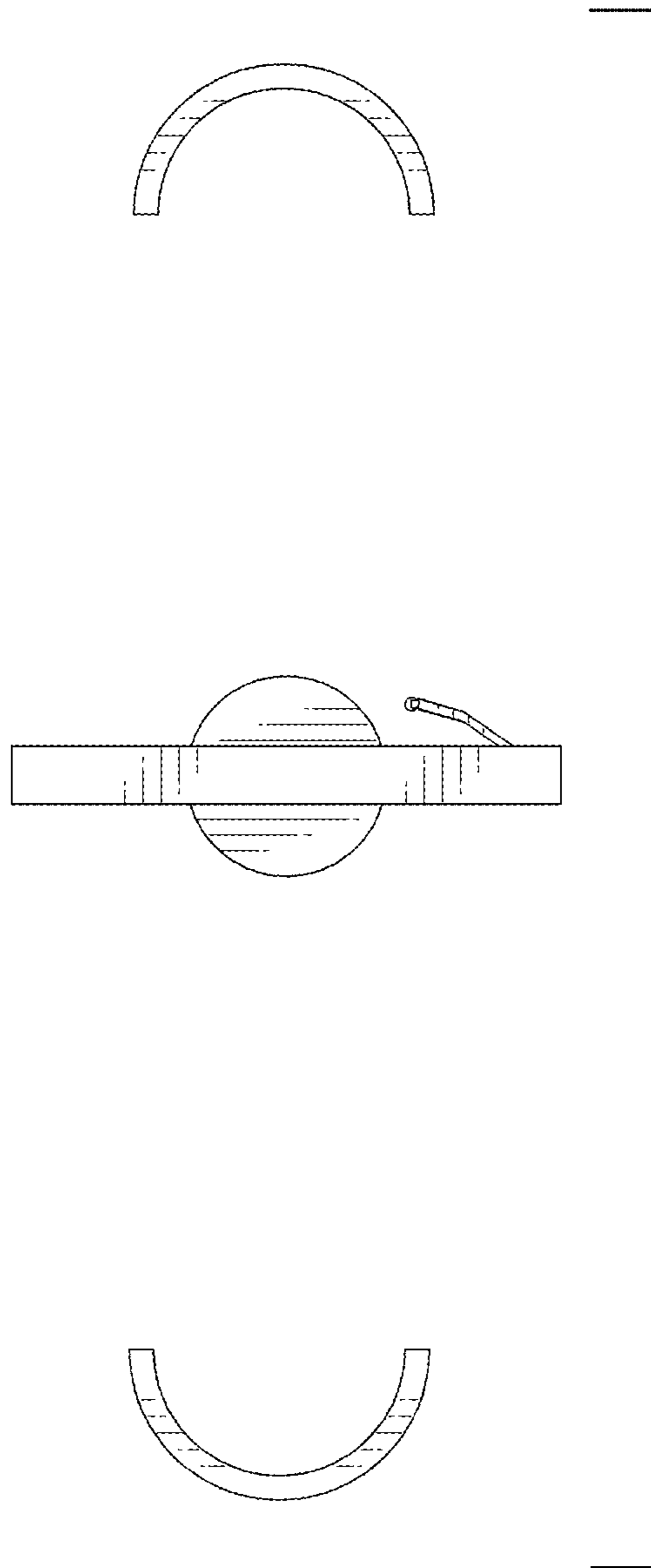


FIG. 9