



US00D943642S

(12) **United States Design Patent**
Svec et al.

(10) **Patent No.:** **US D943,642 S**

(45) **Date of Patent:** **** Feb. 15, 2022**

(54) **PERFORATING APPARATUS**

(71) Applicant: **BMIC LLC**, Dallas, TX (US)

(72) Inventors: **Jim Svec**, Kearny, NJ (US); **Alex Lim**, Parsippany, NJ (US)

(73) Assignee: **BMIC LLC**, Dallas, TX (US)

(**) Term: **15 Years**

(21) Appl. No.: **29/726,173**

(22) Filed: **Feb. 29, 2020**

(51) **LOC (13) Cl.** **15-03**

(52) **U.S. Cl.**
USPC **D15/28**

(58) **Field of Classification Search**
USPC D8/14, 70; D15/139; D11/3, 4, 26;
D28/10, 28
CPC B26F 1/20; B26F 1/02; B26D 5/02; B26D
7/20; B26D 7/265
See application file for complete search history.

4,940,347 A * 7/1990 Lund B26F 3/002
225/100

5,259,543 A * 11/1993 Downing B26D 1/0006
225/106

5,338,122 A * 8/1994 Eudy B41J 11/68
281/5

5,456,399 A * 10/1995 Yamaguchi B41J 11/32
226/75

5,515,149 A * 5/1996 Ishikawa G03G 15/164
226/74

6,450,384 B1 * 9/2002 Chinzei G03B 1/28
226/171

D470,429 S * 2/2003 Bonnet D11/3

6,516,572 B1 2/2003 Nowacek et al.

6,804,919 B2 10/2004 Railkar

6,851,240 B2 2/2005 Peng et al.

(Continued)

Primary Examiner — Philip S Hyder
(74) *Attorney, Agent, or Firm* — Greenberg Traurig, LLP

(57) **CLAIM**

The ornamental design for the perforating apparatus, shown and described herein.

(56) **References Cited**

U.S. PATENT DOCUMENTS

1,645,385 A * 10/1927 Kaplan A41H 11/00
30/365

2,477,128 A * 7/1949 Hope, Jr. B41J 11/68
83/423

3,297,042 A * 1/1967 Hutcheon A45D 2/14
132/262

4,358,039 A * 11/1982 Buzzell G03B 1/24
226/79

4,394,949 A * 7/1983 Gomi B65H 20/20
226/76

4,421,262 A * 12/1983 Chida B41J 11/28
226/76

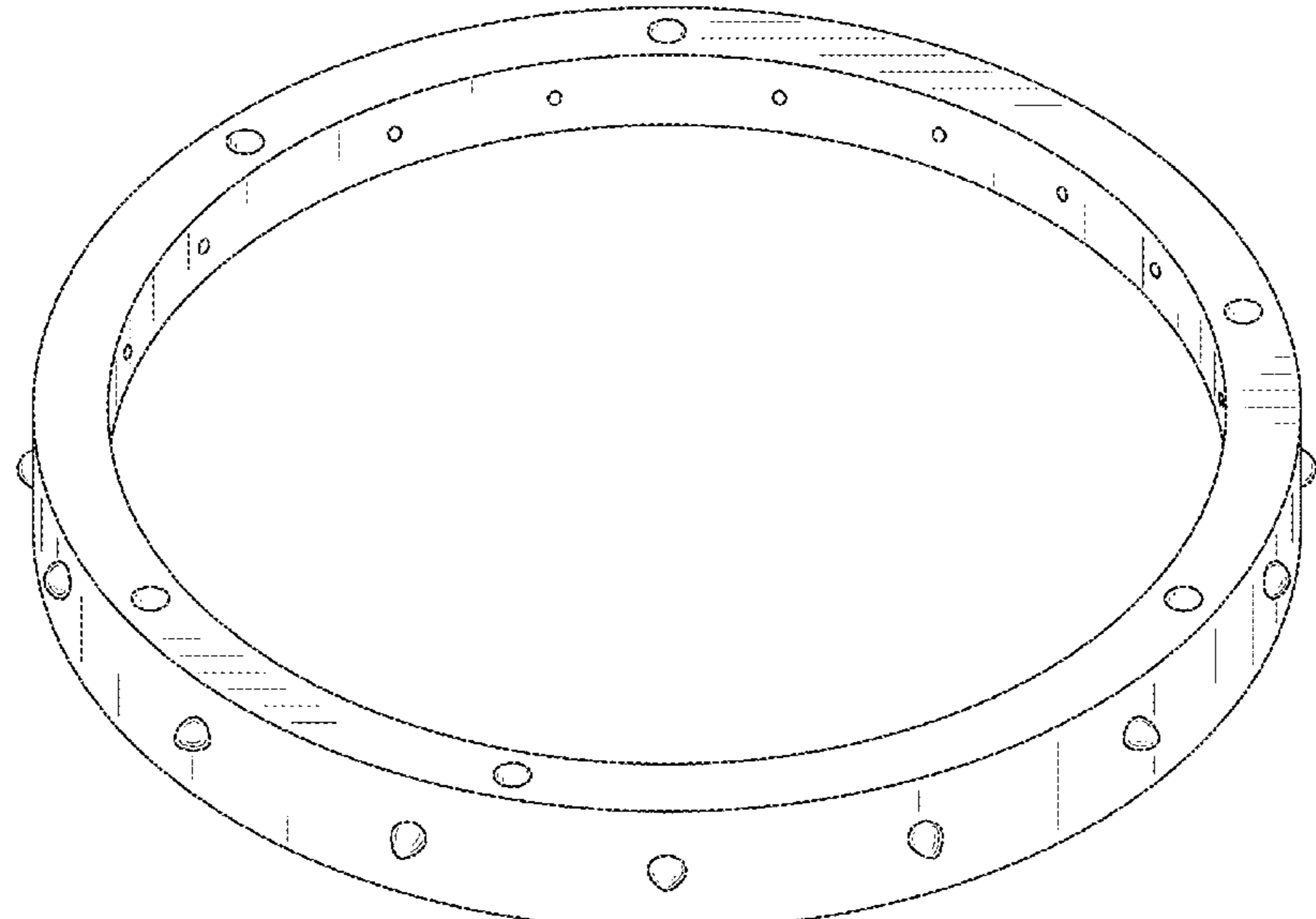
4,619,389 A * 10/1986 Isobe B41J 11/27
226/79

4,867,591 A * 9/1989 Unuma B41J 11/30
400/616.1

DESCRIPTION

FIG. 1 is a top perspective view of a perforating apparatus.
FIG. 2 is a top view of the perforating apparatus shown in FIG. 1.
FIG. 3 is a bottom view of the perforating apparatus shown in FIG. 1.
FIG. 4 is a right side view of the perforating apparatus shown in FIG. 1.
FIG. 5 is a left side view of the perforating apparatus shown in FIG. 1.
FIG. 6 is a back view of the perforating apparatus shown in FIG. 1; and,
FIG. 7 is a front view of the perforating apparatus shown in FIG. 1.

1 Claim, 4 Drawing Sheets



(56)

References Cited

U.S. PATENT DOCUMENTS

6,936,239 B2	8/2005	Kiik et al.	D763,468 S	8/2016	Leitch et al.
6,968,662 B2	11/2005	Rodrigues	D763,470 S	8/2016	Leitch
7,082,724 B2	8/2006	Railkar et al.	D763,471 S	8/2016	Leitch
7,172,678 B2	2/2007	Canfield et al.	D764,076 S	8/2016	Leitch
D543,127 S *	5/2007	Daas	D764,687 S	8/2016	Anderson et al.
			D765,271 S	8/2016	Anderson et al.
7,272,915 B2	9/2007	Peng	D765,273 S	8/2016	Leitch et al.
D554,275 S	10/2007	Sieling et al.	D765,274 S	8/2016	Leitch et al.
D562,174 S *	2/2008	Miller	9,404,260 B2	8/2016	Leitch
			9,410,323 B1	8/2016	Leitch
7,442,658 B2	10/2008	Rodrigues et al.	9,416,539 B2	8/2016	Duque et al.
7,448,177 B2	11/2008	McClintick	D765,885 S	9/2016	Leitch et al.
7,454,873 B2	11/2008	McClintick	D765,886 S	9/2016	Leitch et al.
7,582,155 B2	9/2009	Mehta et al.	D765,887 S	9/2016	Leitch et al.
7,805,905 B2	10/2010	Rodrigues et al.	D765,888 S	9/2016	Leitch et al.
7,833,371 B2	11/2010	Binkley et al.	D766,466 S	9/2016	Leitch
7,851,051 B2	12/2010	DeJarnette et al.	D766,467 S	9/2016	Leitch
7,861,631 B2	1/2011	Freshwater et al.	D766,468 S	9/2016	Leitch
7,900,266 B1	3/2011	Longcor, IV	D766,469 S	9/2016	Leitch et al.
7,928,023 B2	4/2011	Canfield et al.	D767,172 S	9/2016	Leitch
8,006,457 B2	8/2011	Binkley et al.	D767,272 S	9/2016	Gibson
8,033,072 B2	10/2011	McClintick	D769,472 S	10/2016	Leitch
8,127,514 B2	3/2012	Binkley et al.	D769,473 S	10/2016	Rodrigues et al.
8,226,790 B2	7/2012	Rodrigues et al.	9,464,439 B2	10/2016	Buzza
D665,103 S	8/2012	Rodrigues et al.	D774,215 S	12/2016	Duque et al.
D665,104 S	8/2012	Rodrigues et al.	D774,664 S	12/2016	Rodrigues et al.
D666,744 S	9/2012	Rodrigues et al.	9,523,202 B2	12/2016	Anderson et al.
D666,745 S	9/2012	Rodrigues et al.	D776,303 S	1/2017	Duque et al.
D666,746 S	9/2012	Rodrigues et al.	D793,584 S	8/2017	Leitch
D666,747 S	9/2012	Rodrigues et al.	9,739,062 B2	8/2017	Leitch
D670,407 S	11/2012	Leitch	9,752,324 B2	9/2017	Leitch
D670,408 S	11/2012	Leitch	D799,271 S	10/2017	Pogue et al.
D670,409 S	11/2012	Leitch	D803,917 S *	11/2017	Harada D15/144.1
D670,825 S	11/2012	Leitch	D804,687 S	12/2017	Duque et al.
D670,826 S	11/2012	Leitch	D805,221 S	12/2017	Leitch
D670,827 S	11/2012	Leitch	D805,944 S *	12/2017	Kwon D11/4
8,316,608 B2	11/2012	Binkley et al.	9,856,649 B1	1/2018	Selway
8,381,489 B2	2/2013	Freshwater et al.	D811,926 S *	3/2018	Luig D11/26
8,389,103 B2	3/2013	Kiik et al.	D825,081 S	8/2018	Rodrigues et al.
8,397,460 B2	3/2013	Rodrigues et al.	D827,158 S	8/2018	Duque et al.
8,763,339 B2	7/2014	Bryson et al.	D827,159 S	8/2018	Anderson et al.
D717,684 S *	11/2014	Delaney	10,060,132 B2	8/2018	Beerer et al.
			D827,864 S	9/2018	Rodrigues et al.
8,978,332 B2	3/2015	Leitch	D827,865 S	9/2018	Rodrigues et al.
9,010,058 B2	4/2015	DeJarnette et al.	D827,866 S	9/2018	Rodrigues et al.
9,021,760 B2	5/2015	Kiik et al.	D827,867 S	9/2018	Rodrigues et al.
D734,686 S *	7/2015	Alton	D827,868 S	9/2018	Rodrigues et al.
			D829,935 S	10/2018	Duque et al.
9,140,012 B1	9/2015	Leitch et al.	D831,233 S	10/2018	Anderson et al.
9,187,903 B1	11/2015	Buzza	D834,220 S	11/2018	Duque et al.
9,212,487 B2	12/2015	Kiik et al.	10,180,001 B2	1/2019	Leitch
D747,007 S	1/2016	Leitch	10,195,640 B2	2/2019	Svec
D747,501 S	1/2016	Leitch	10,196,821 B2	2/2019	Anderson et al.
D749,240 S	2/2016	Rodrigues et al.	D845,816 S *	4/2019	Buccellati D11/5
D750,810 S	3/2016	Buzza	D856,538 S	8/2019	Duque et al.
9,279,255 B2	3/2016	Bryson et al.	D856,539 S	8/2019	Duque et al.
9,290,945 B2	3/2016	Beerer et al.	D857,931 S	8/2019	Leitch
9,340,371 B2	5/2016	Mishler	D857,932 S	8/2019	Leitch
D760,924 S	7/2016	Rodrigues et al.	10,415,247 B2	9/2019	Kilk et al.
D760,925 S	7/2016	Rodrigues et al.	D878,951 S *	3/2020	Laage D11/4
D761,445 S	7/2016	Rodrigues et al.	2008/0267719 A1 *	10/2008	Corcoran E02D 3/039 405/271
D761,446 S	7/2016	Rodrigues et al.	2016/0369509 A1	12/2016	Leitch et al.
D761,447 S	7/2016	Anderson et al.	2018/0363302 A1	12/2018	Beerer et al.
9,399,870 B2	7/2016	Leitch et al.	2020/0040582 A1	2/2020	Boss et al.
9,399,871 B2	7/2016	Leitch et al.			
D762,879 S	8/2016	Leitch			
D762,880 S	8/2016	Leitch			
D762,881 S	8/2016	Leitch			

* cited by examiner

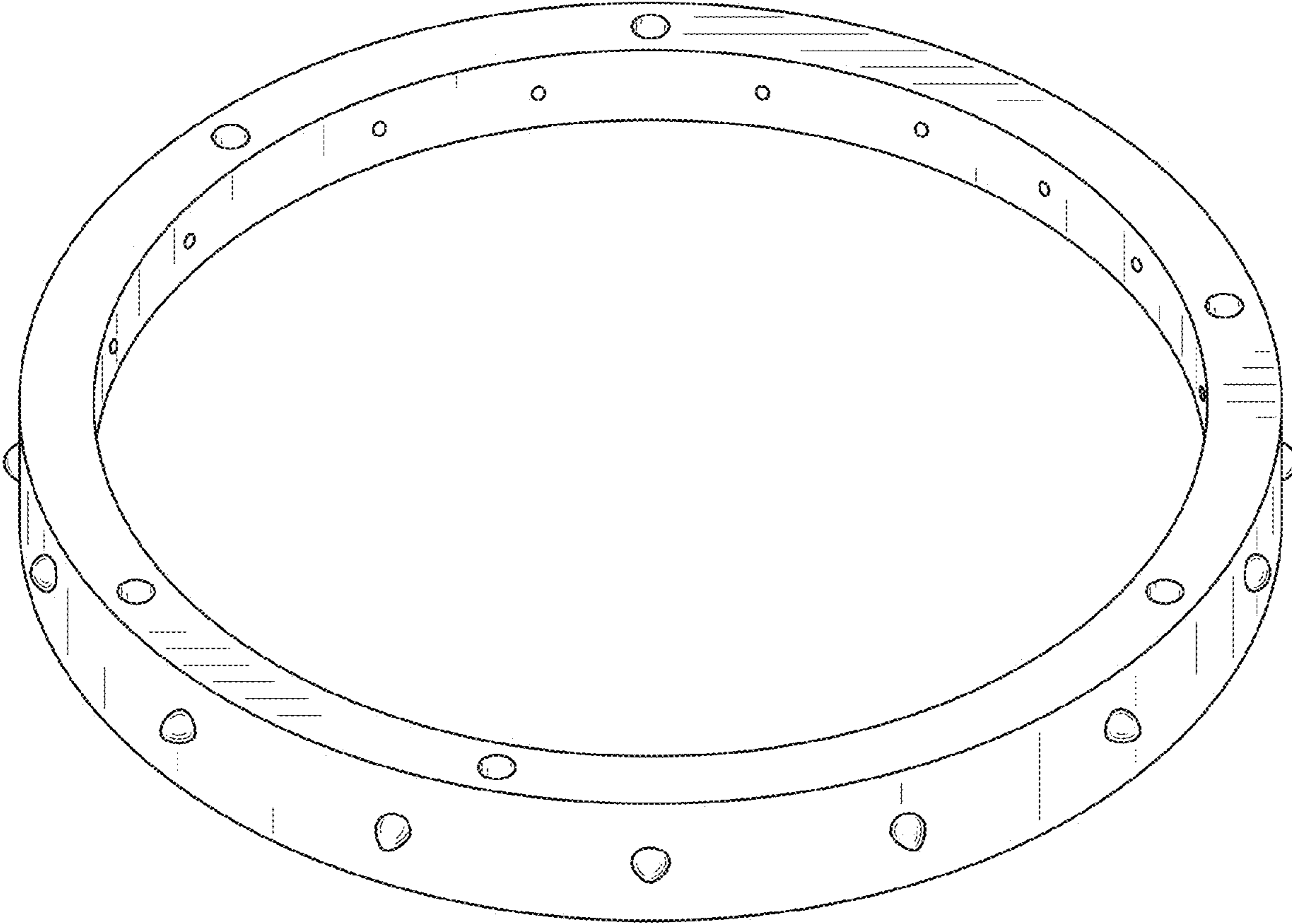


FIG. 1

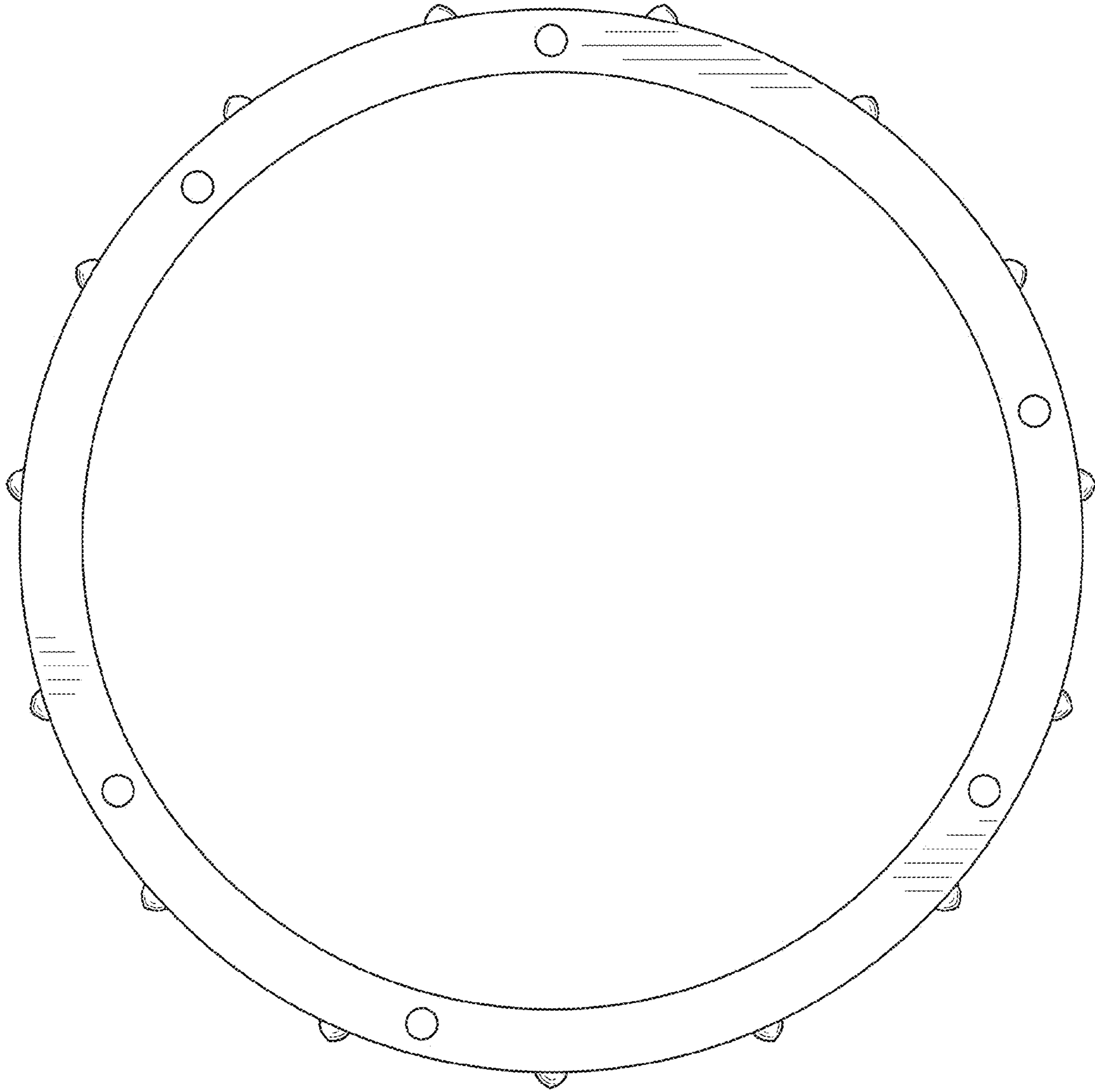


FIG. 2

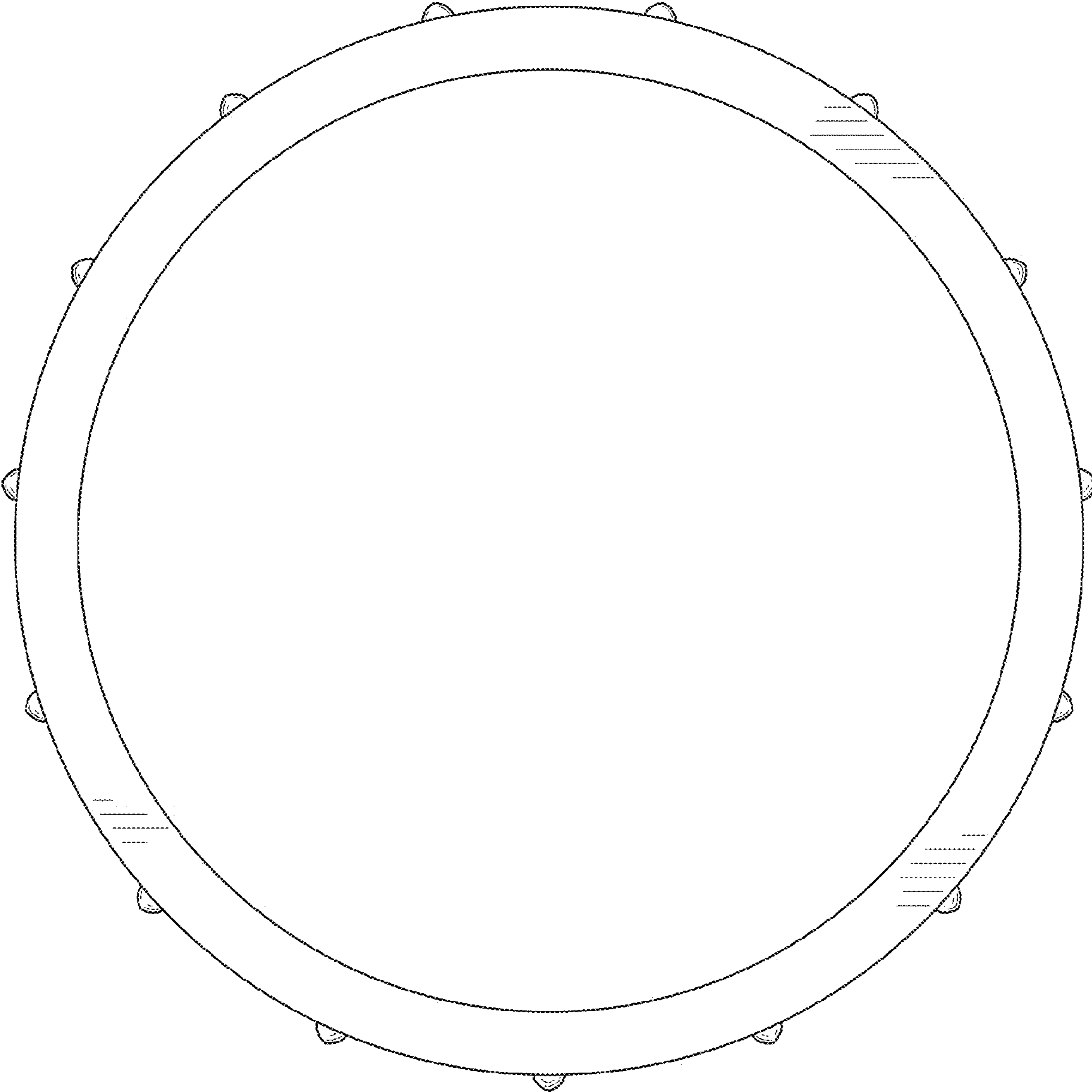


FIG. 3

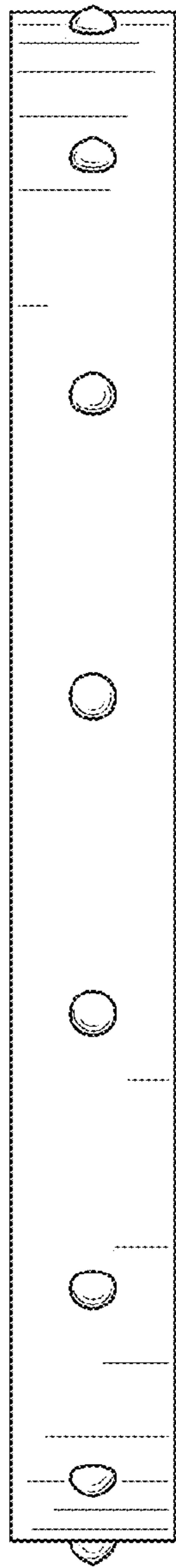


FIG. 4

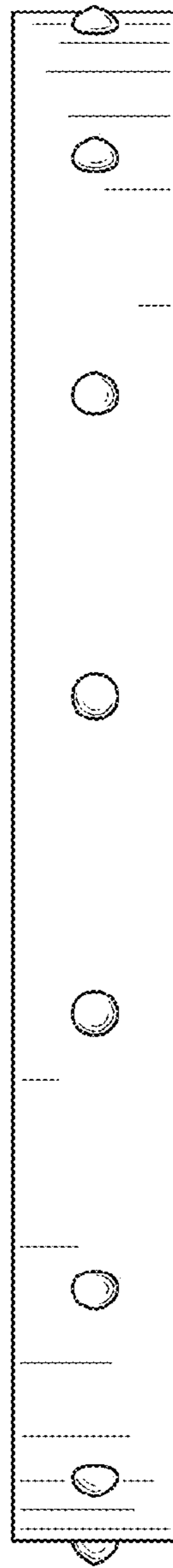


FIG. 5

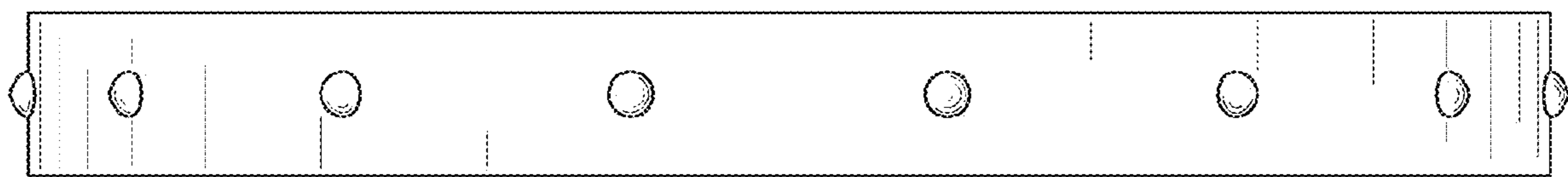


FIG. 6

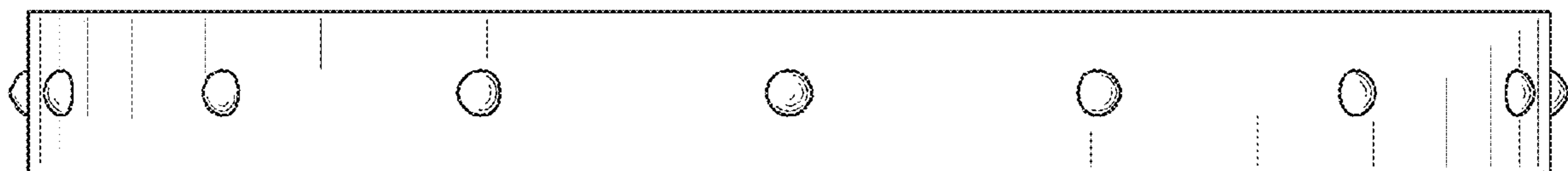


FIG. 7