

US00D943641S

(12) **United States Design Patent**
Esqueda et al.

(10) **Patent No.:** **US D943,641 S**
(45) **Date of Patent:** **** Feb. 15, 2022**

(54) **LOADER ARMS**

(71) Applicant: **DEERE & COMPANY**, Moline, IL
(US)

(72) Inventors: **Daniel Esqueda**, San Pedro (MX);
Jorge Cantu, Monterrey (MX);
Mauricio de la Garza, Monterrey
(MX); **Jose Angel Diaz**, Monterrey
(MX); **Diego Adrian Villarreal**
Mendez, Guadalupe (MX)

(73) Assignee: **DEERE & COMPANY**, Moline, IL
(US)

(**) Term: **15 Years**

(21) Appl. No.: **29/721,844**

(22) Filed: **Jan. 23, 2020**

(51) **LOC (13) Cl.** **15-03**

(52) **U.S. Cl.**
USPC **D15/28**

(58) **Field of Classification Search**
USPC D15/10, 22-26, 28, 29, 32
(Continued)

(56) **References Cited**

U.S. PATENT DOCUMENTS

4,576,543 A * 3/1986 Kuchyt A01D 87/0069
414/685
D459,368 S * 6/2002 Westendorf D15/32
(Continued)

FOREIGN PATENT DOCUMENTS

CN 301895232 S 4/2012
EP 1799917 B1 10/2014
(Continued)

Primary Examiner — Mark A Goodwin

(74) *Attorney, Agent, or Firm* — Michael Best &
Friedrich LLP

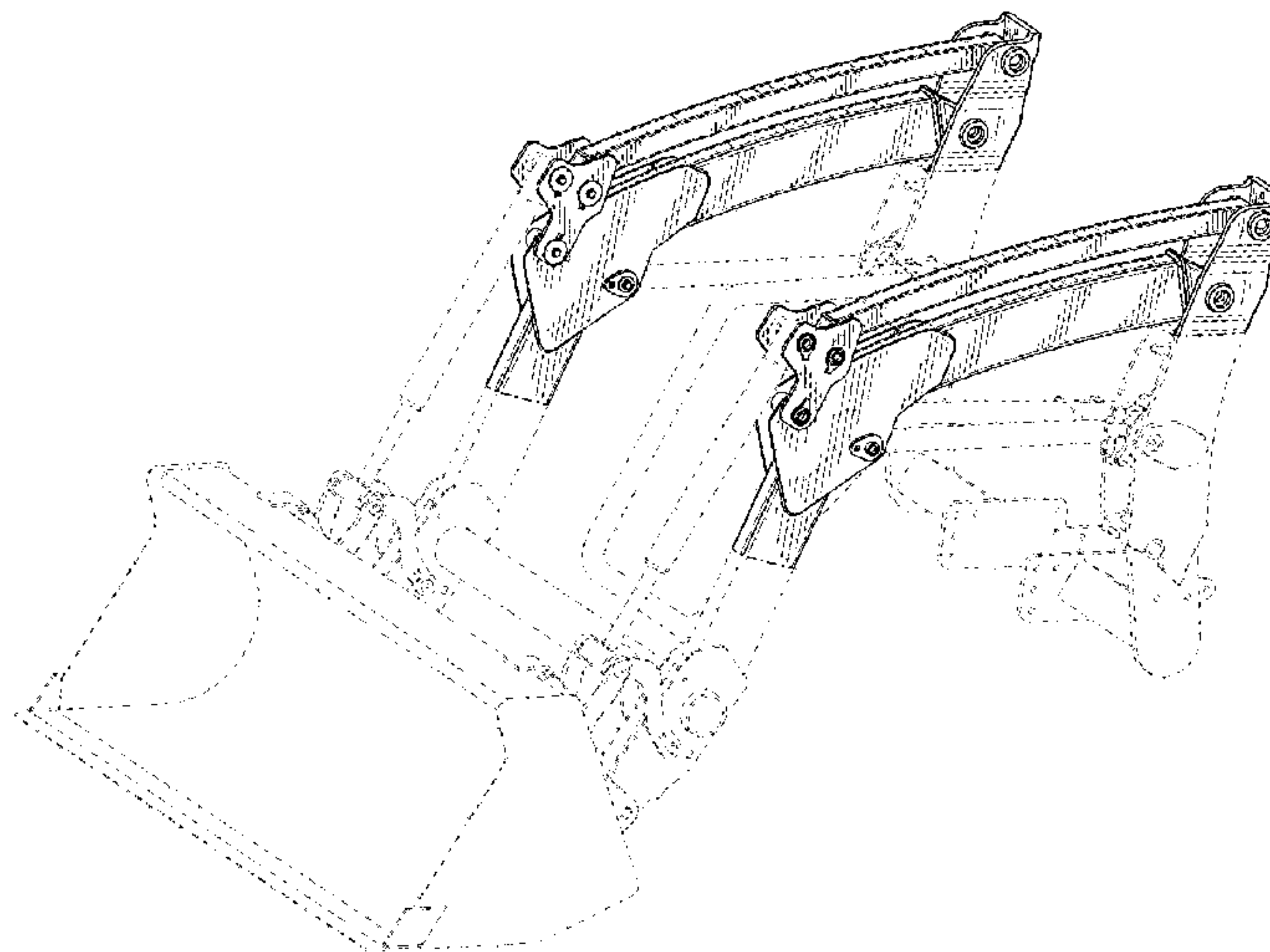
(57) **CLAIM**

We claim the ornamental design for loader arms, as shown and described.

DESCRIPTION

FIG. 1 is a top-front-left perspective view of loader arms.
FIG. 2 is a top-front-right perspective view of the loader arms shown in FIG. 1.
FIG. 3 is a top-rear-right perspective view of the loader arms shown in FIG. 1.
FIG. 4 is a top-rear-left perspective view of the loader arms shown in FIG. 1.
FIG. 5 is a bottom-front-left perspective view of the loader arms shown in FIG. 1.
FIG. 6 is a bottom-front-right perspective view of the loader arms shown in FIG. 1.
FIG. 7 is a bottom-rear-left perspective view of the loader arms shown in FIG. 1.
FIG. 8 is a bottom-rear-right perspective view of the loader arms shown in FIG. 1.
FIG. 9 is a left side elevation view of the loader arms shown in FIG. 1.
FIG. 10 is a right side elevation view of the loader arms shown in FIG. 1.
FIG. 11 is a front elevation view of the loader arms shown in FIG. 1.
FIG. 12 is a rear elevation view of the loader arms shown in FIG. 1.
FIG. 13 is a top plan view of the loader arms shown in FIG. 1; and,
FIG. 14 is a bottom plan view of the loader arms shown in FIG. 1.
Any broken lines represent unclaimed subject matter and form no part of the claimed design. Any dash-dot broken lines represent boundary lines. The dash-dot broken lines themselves form no part of the claimed design. Any line in a drawing may provide a boundary line of a claimed design element. A boundary line of a claimed design element may also be defined in an area between lines in a drawing. An element or a subset of any combination of elements in a drawing may form a claimed design.

1 Claim, 14 Drawing Sheets



(58) **Field of Classification Search**

CPC E02F 3/22; E02F 3/34; E02F 3/28; E02F
 3/3405; E02F 3/3414; E02F 3/627; E02F
 9/006; E02F 9/2275; E02F 9/14; E02F
 9/22; Y10T 29/49622; B66F 19/00; B66F
 9/22

See application file for complete search history.

(56)

References Cited

U.S. PATENT DOCUMENTS

D528,569 S	9/2006	Nilsson	
D529,053 S *	9/2006	Stender	D15/32
D538,829 S	3/2007	Nilsson	
D584,749 S *	1/2009	Smith	D15/28
D595,746 S *	7/2009	Iida	D15/28
D610,172 S *	2/2010	Yukino	D15/32
D628,604 S *	12/2010	Major	D15/32
D649,170 S *	11/2011	Barba	D15/32
D649,171 S *	11/2011	Barba	D15/32
D656,164 S	3/2012	Nilsson	
D656,523 S	3/2012	Nilsson	
D672,372 S	12/2012	Nilsson	
D672,373 S	12/2012	Nilsson	
D739,446 S *	9/2015	Nilsson	D15/32
D766,342 S	9/2016	Esqueda et al.	
D766,343 S	9/2016	Linan et al.	
D768,731 S	10/2016	Esqueda et al.	

D769,335 S	10/2016	Esqueda et al.	
D788,184 S *	5/2017	Okuyama	D15/32
D832,895 S *	11/2018	Dekker	D15/32
D840,439 S *	2/2019	Schlesser	D15/28
D840,440 S *	2/2019	Schwalbe	D15/28
D923,062 S *	6/2021	Park	D15/32
2004/0228717 A1 *	11/2004	Perrin	E02F 3/3668 414/723
2007/0020078 A1 *	1/2007	Frey	E02F 3/38 414/686
2007/0031233 A1 *	2/2007	Frey	E02F 3/422 414/685
2007/0217899 A1 *	9/2007	Sakada	E02F 3/3408 414/722
2008/0063502 A1 *	3/2008	Nilsson	E02F 3/34 414/685
2008/0193269 A1 *	8/2008	Sakada	E02F 3/34 414/722

FOREIGN PATENT DOCUMENTS

JP	D1269884 S	5/2006
JP	D1446192 S	7/2012
JP	D1475371 S	7/2013
JP	D1533480 S	9/2015
KR	300856411 S	5/2016
KR	300883662 S	12/2016

* cited by examiner

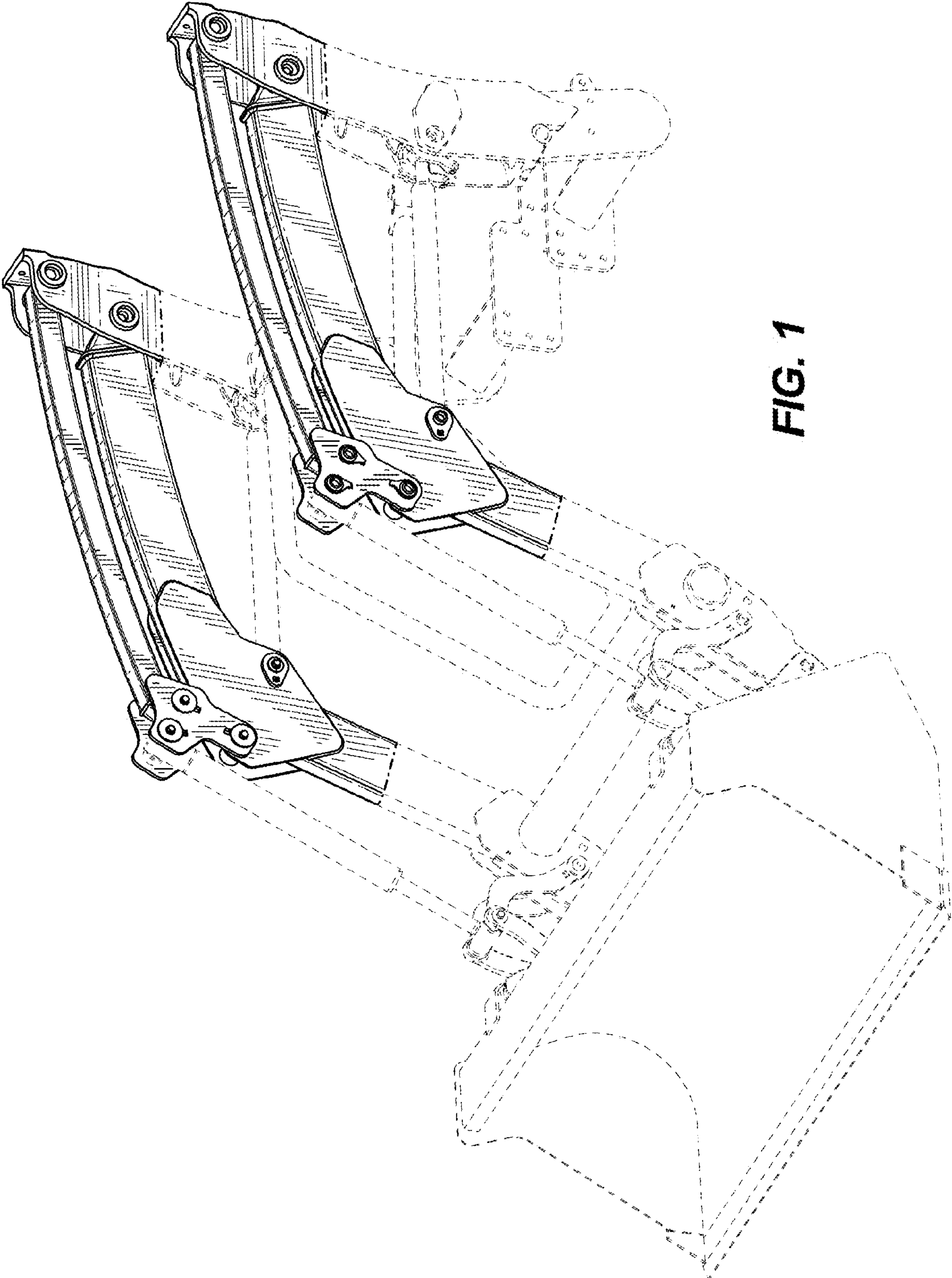


FIG. 1

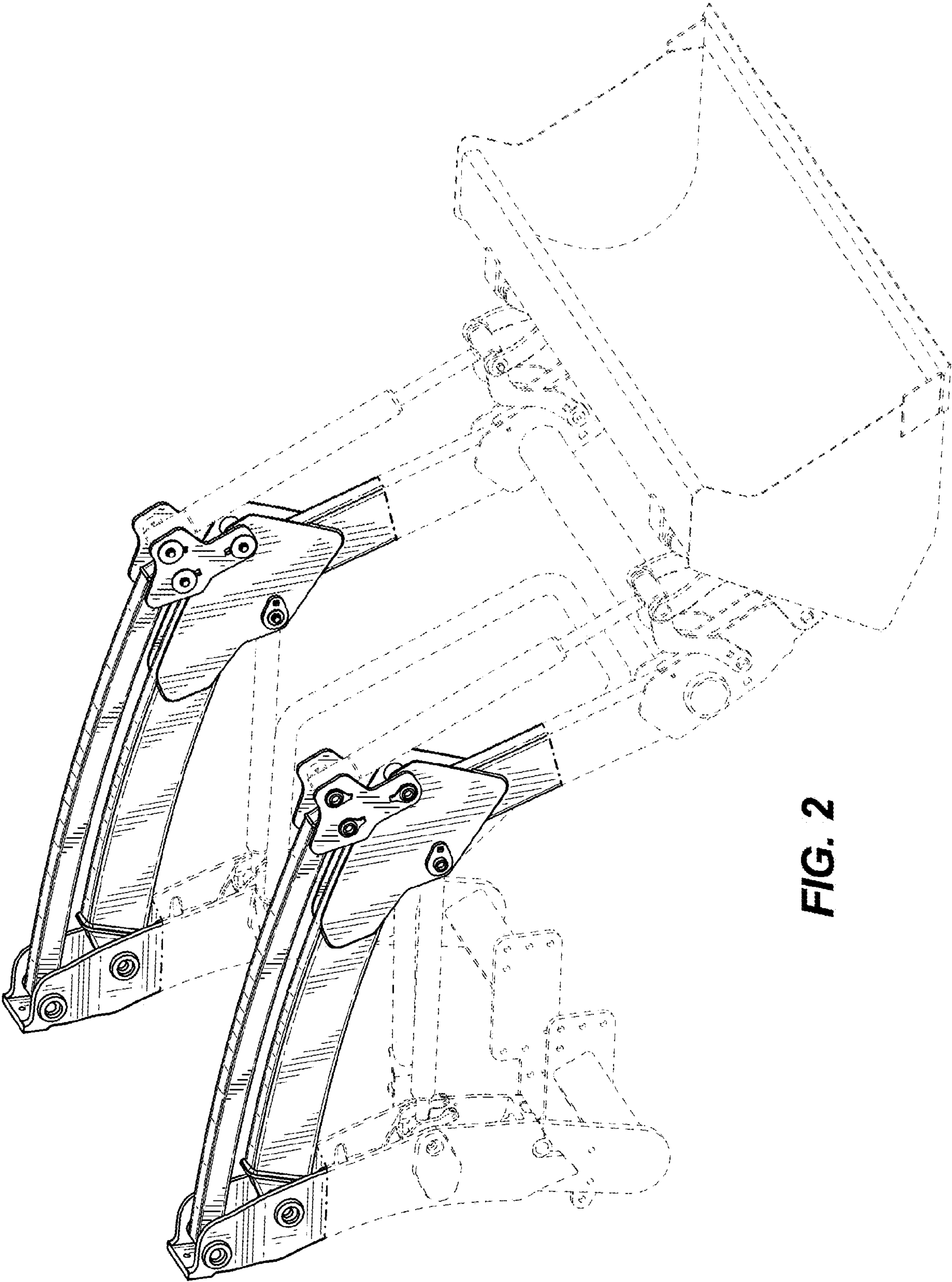


FIG. 2

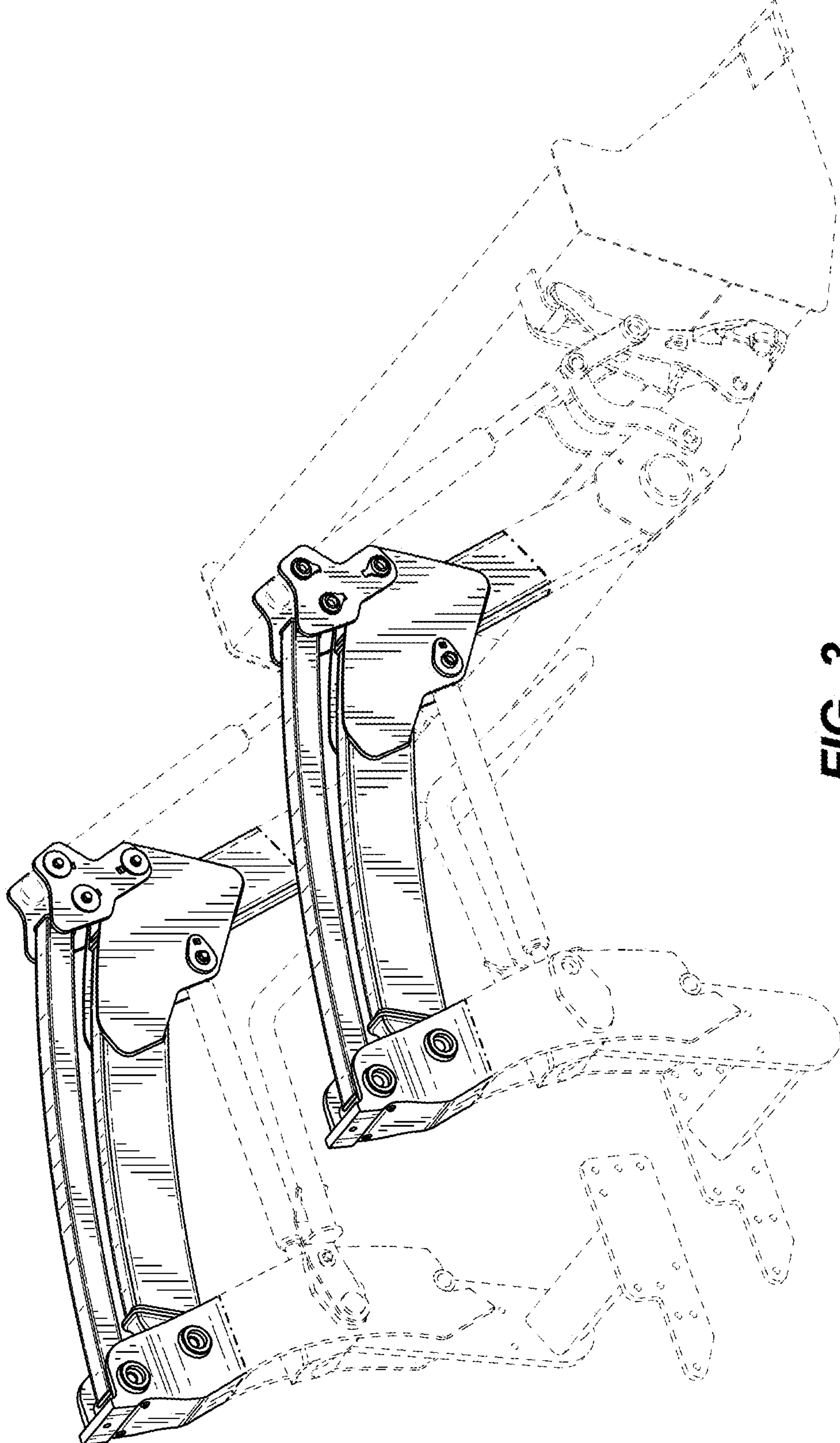


FIG. 3

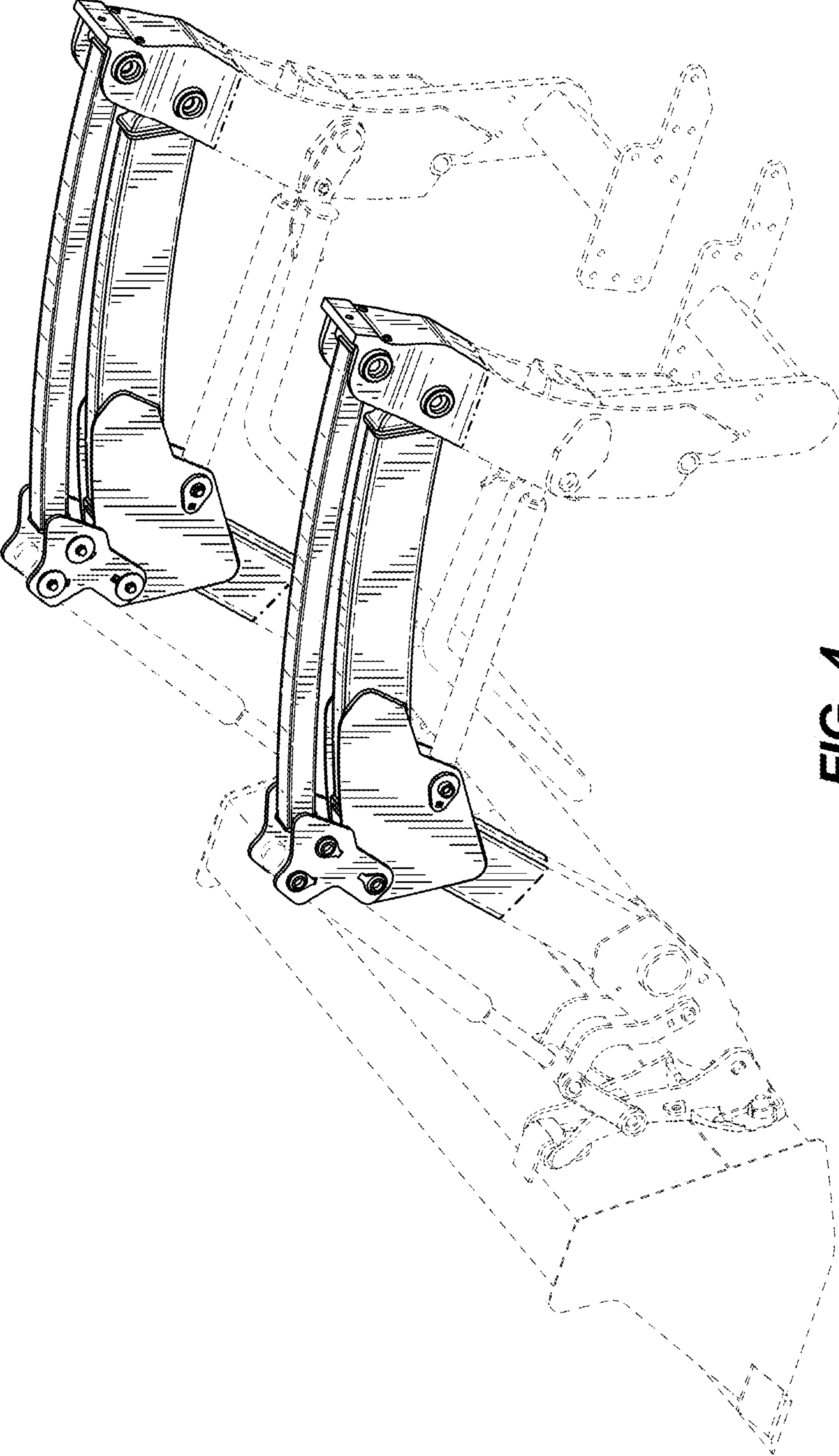


FIG. 4

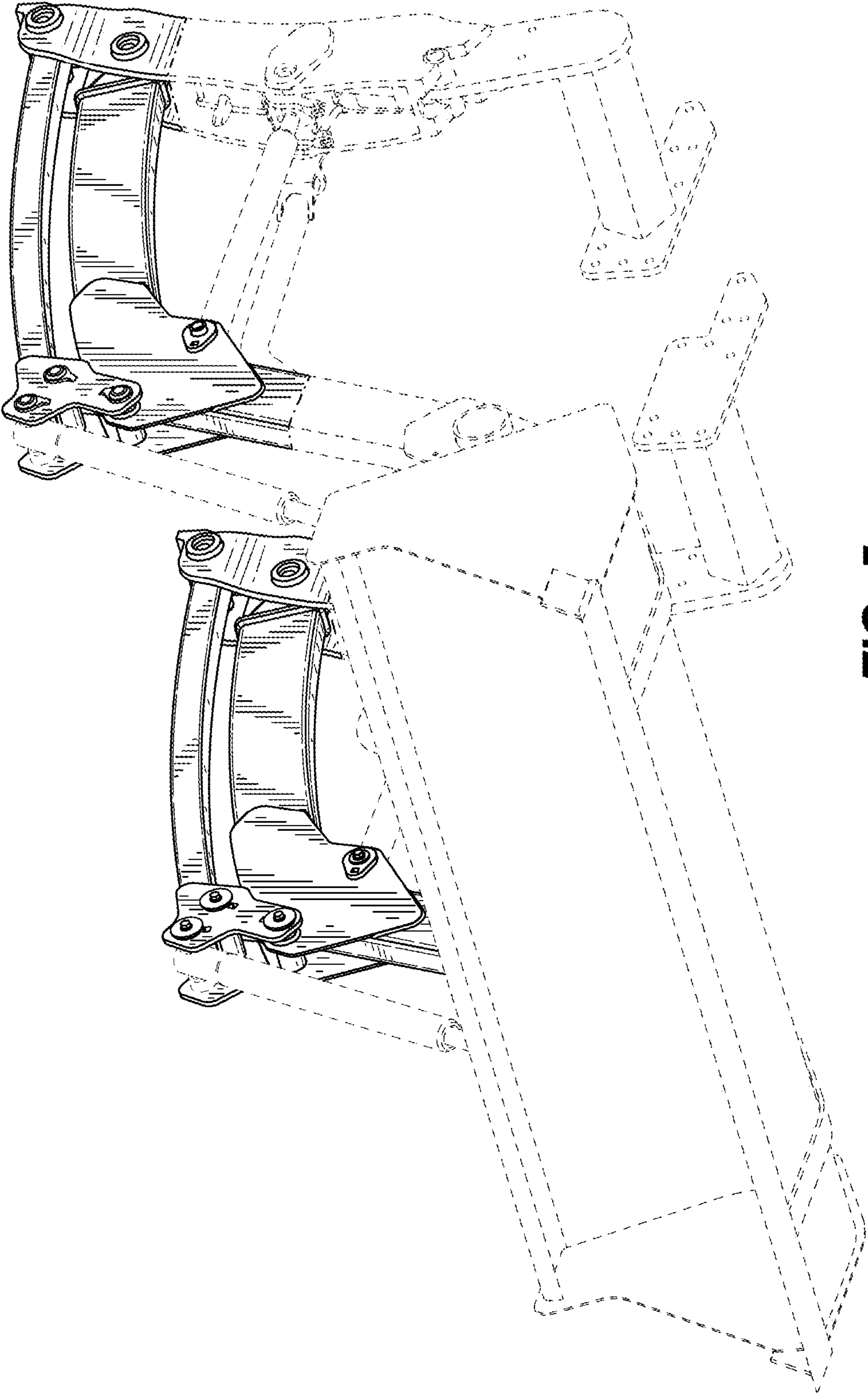


FIG. 5

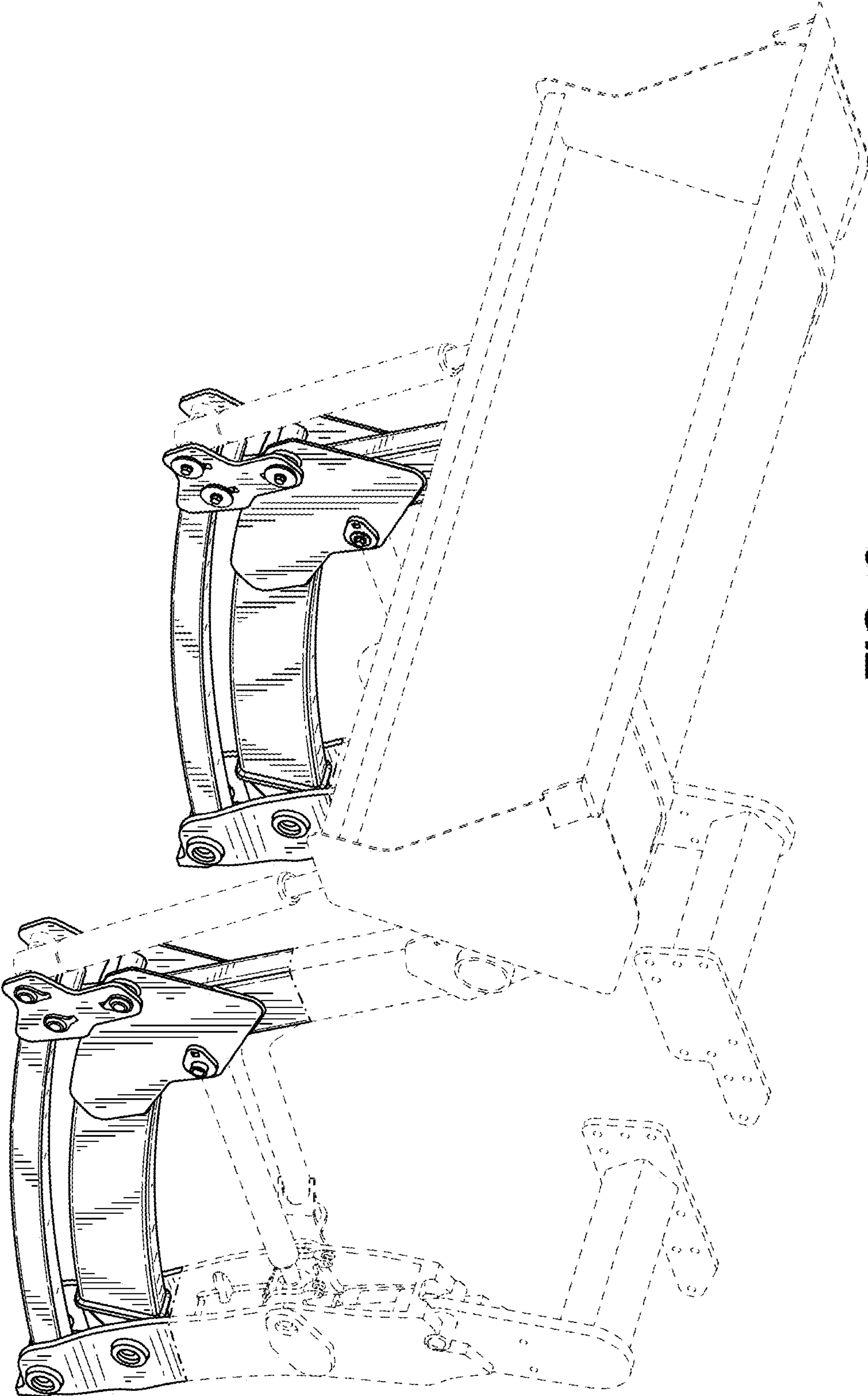


FIG. 6

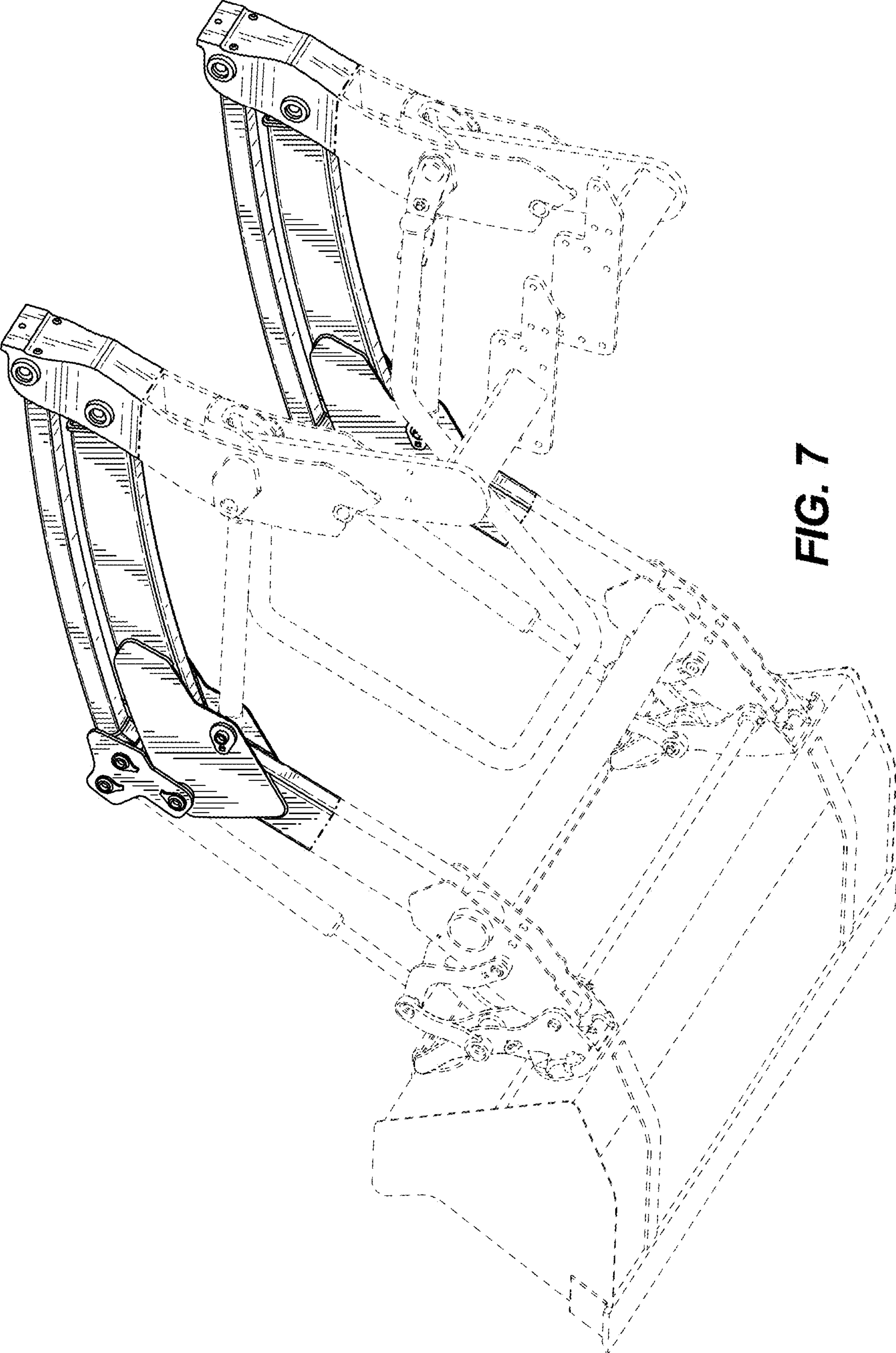


FIG. 7

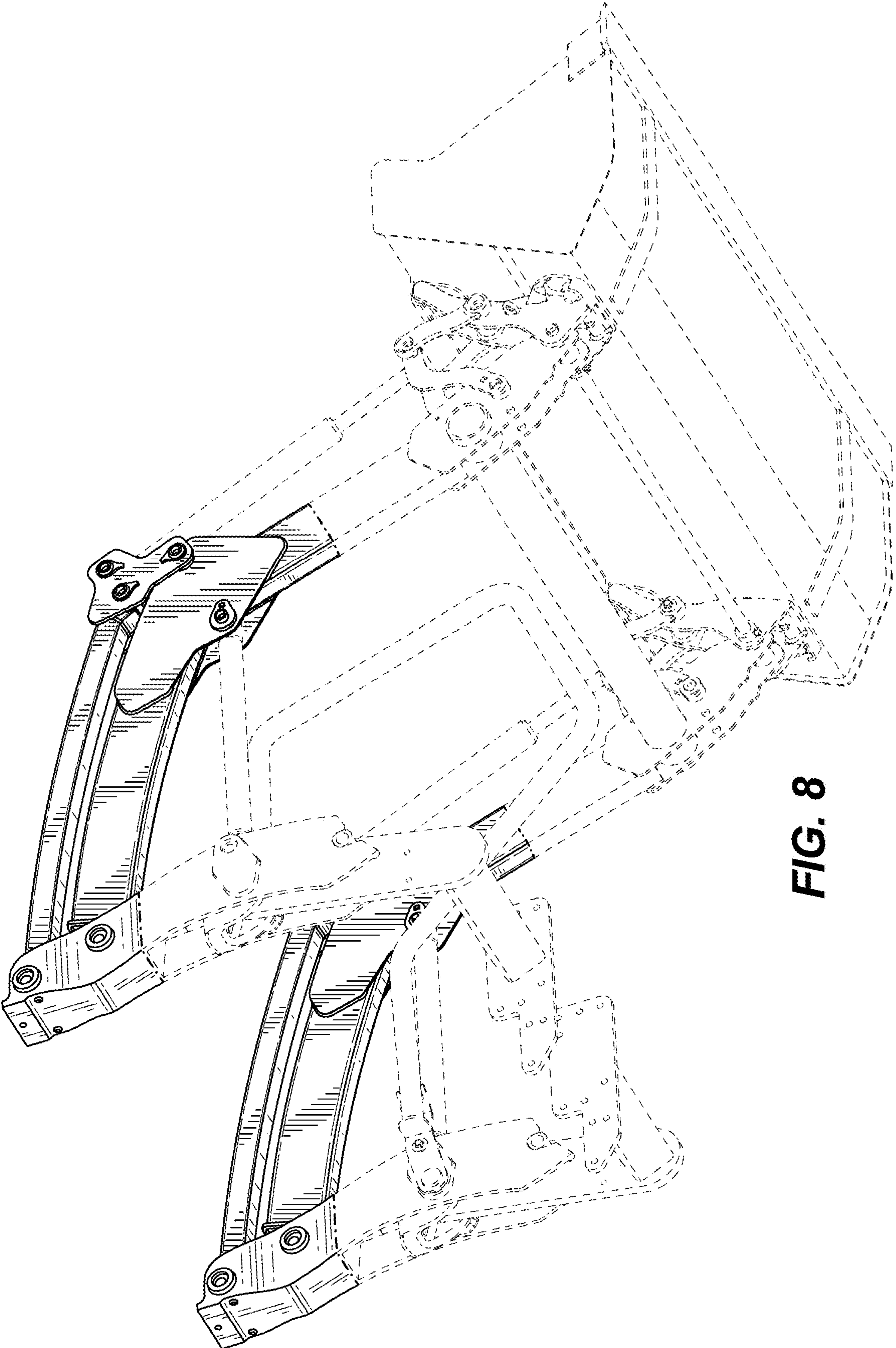


FIG. 8

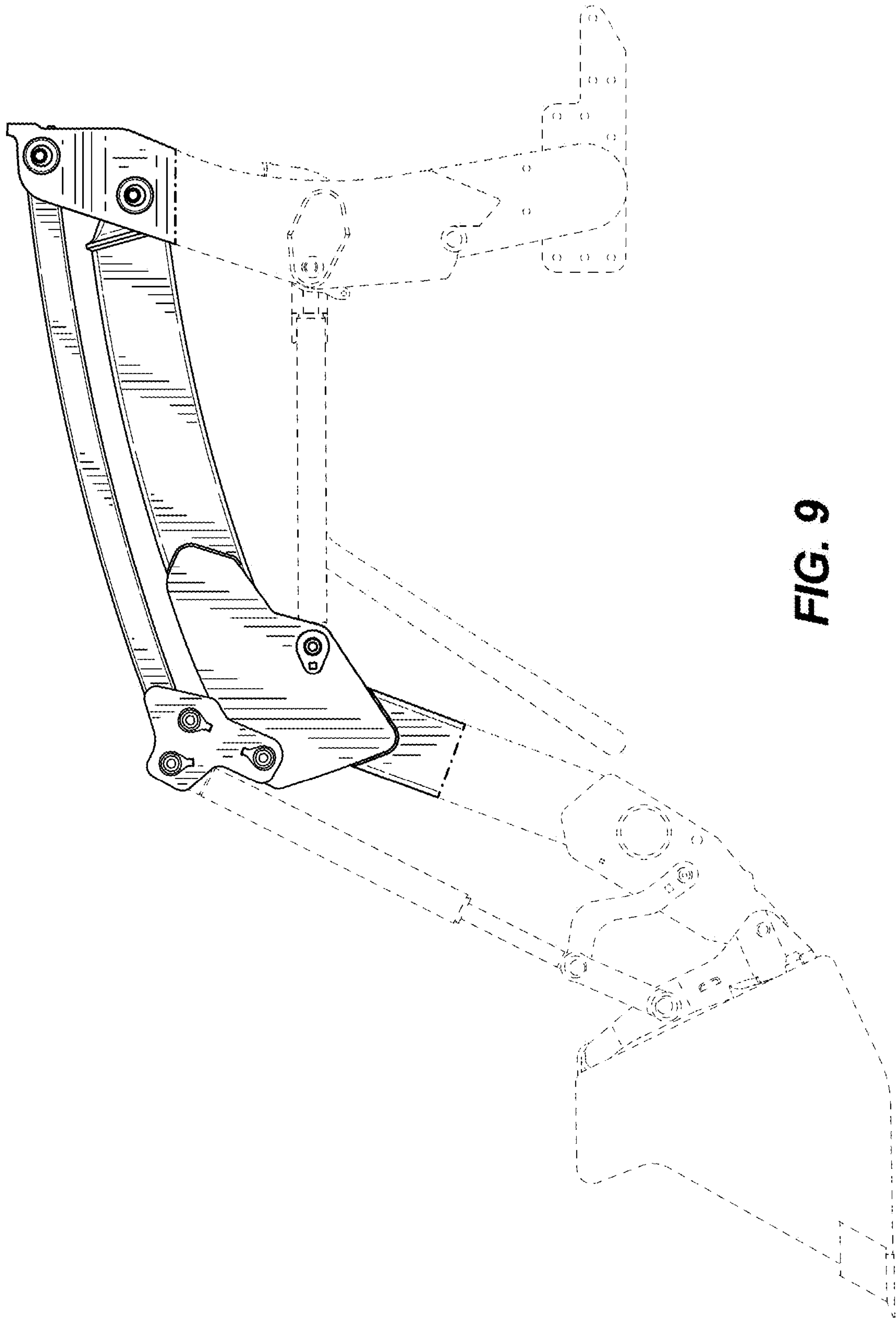


FIG. 9

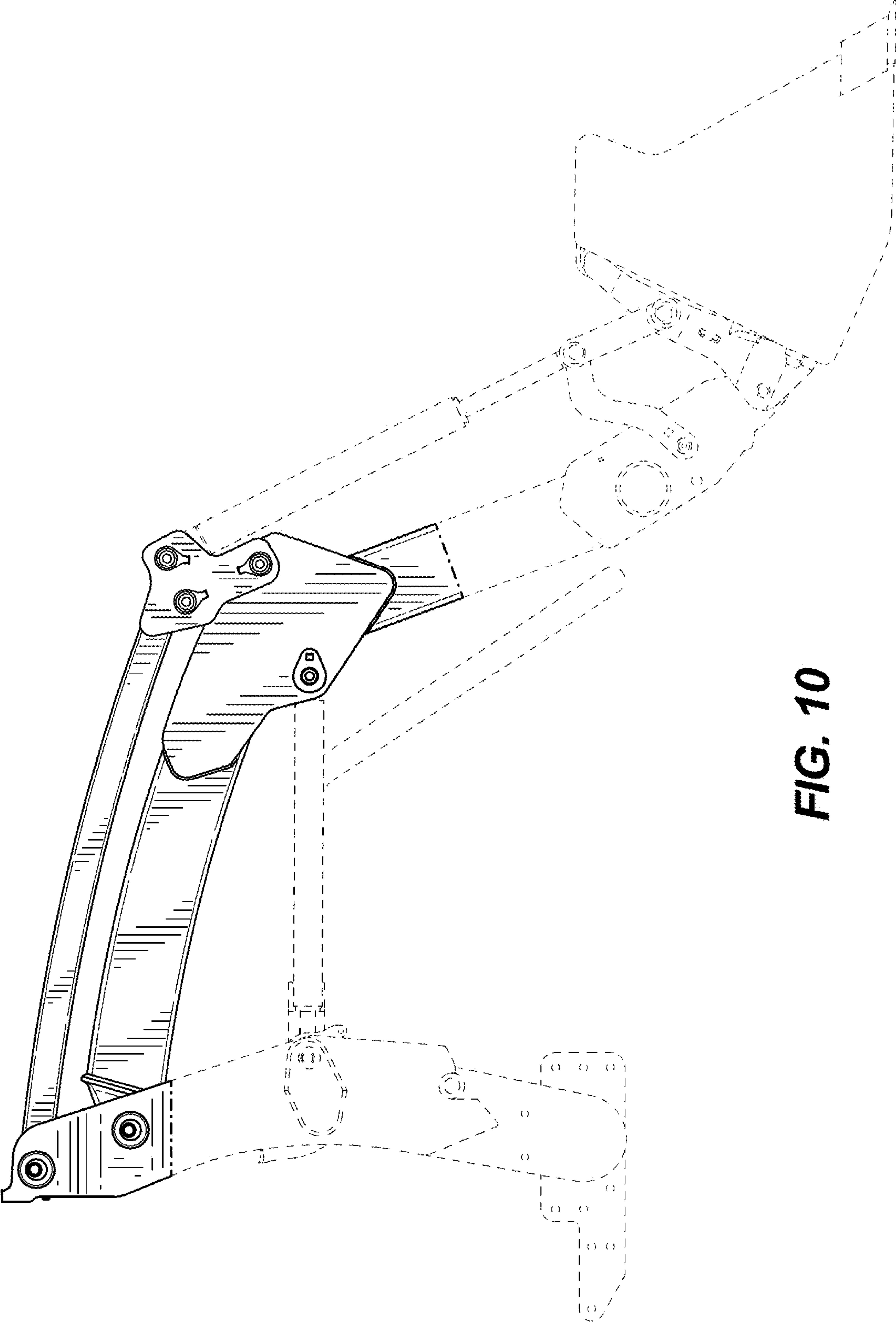


FIG. 10

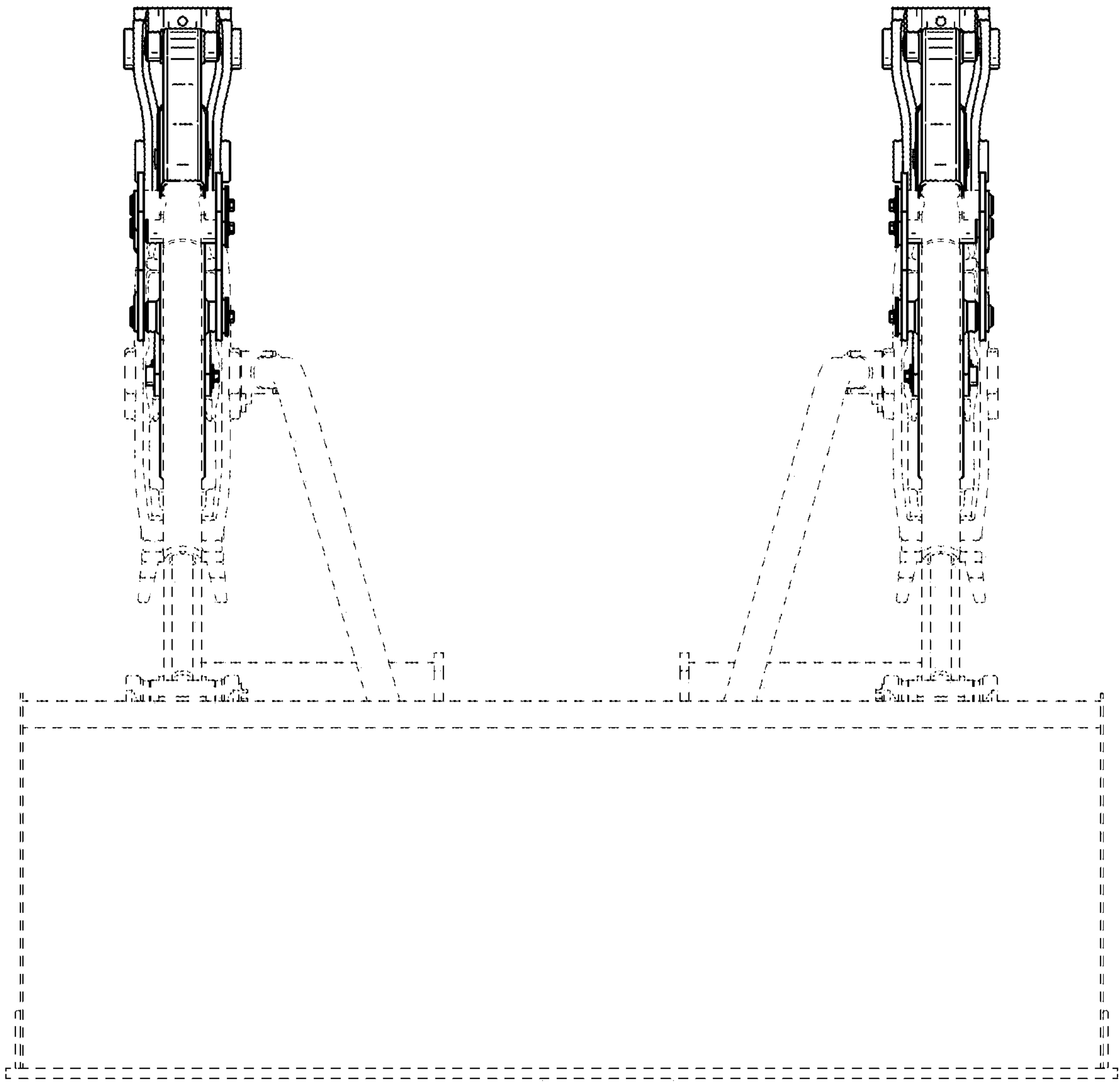


FIG. 11

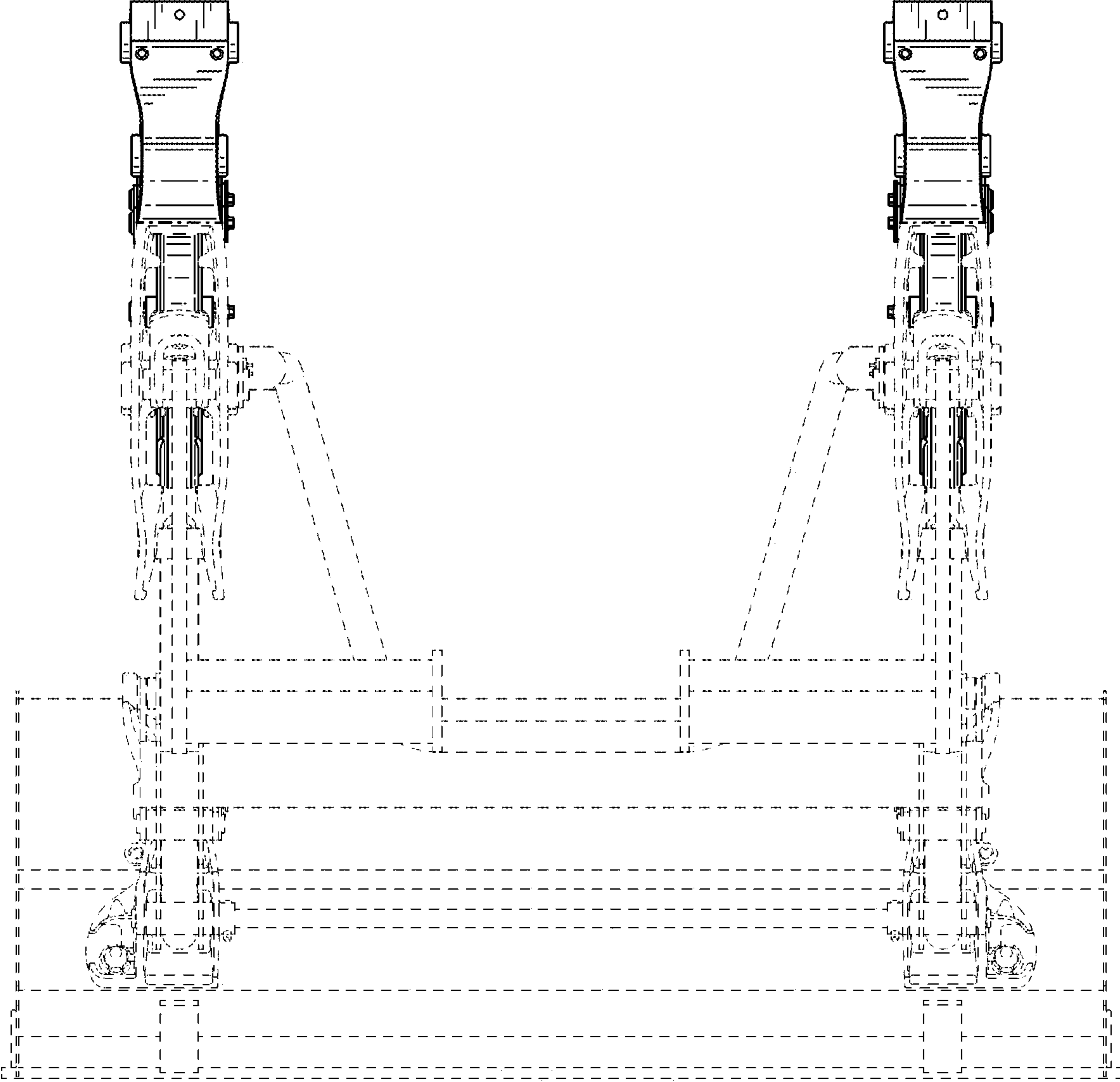


FIG. 12

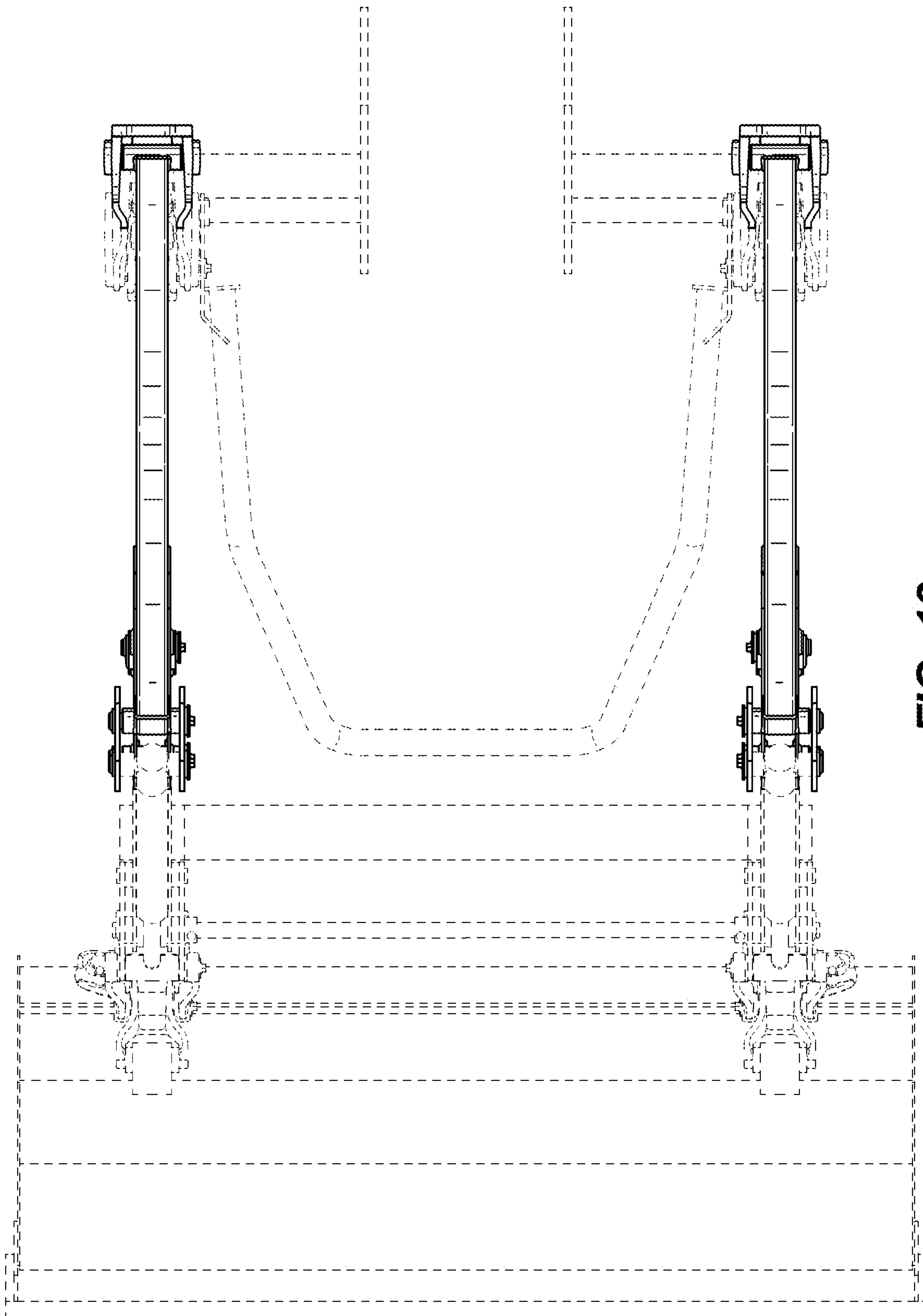


FIG. 13

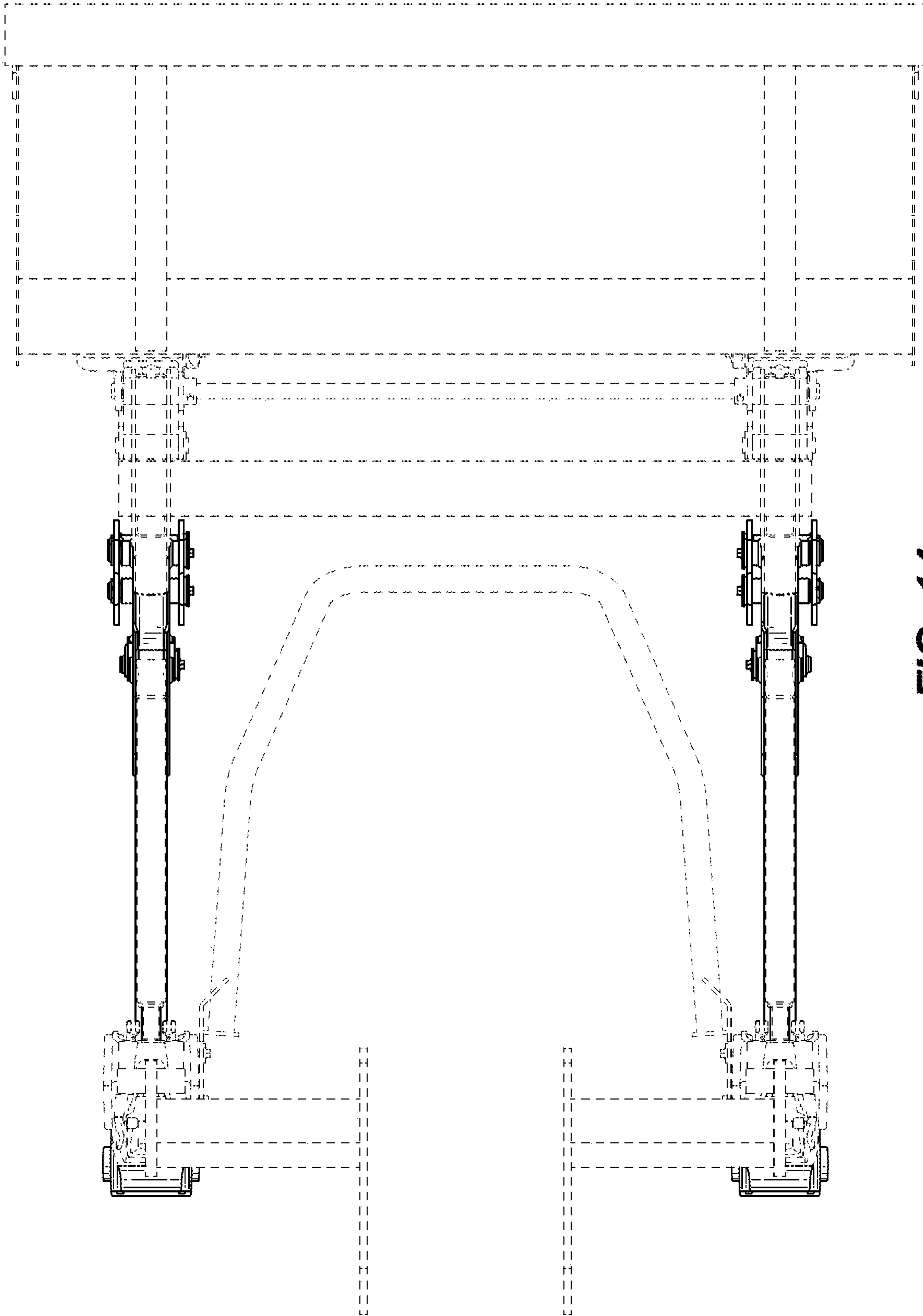


FIG. 14