



US00D943639S

(12) **United States Design Patent** (10) **Patent No.:** **US D943,639 S**
Scott et al. (45) **Date of Patent:** **** Feb. 15, 2022**

(54) **PORTABLE MIXER**
(71) Applicant: **Red Dog Mobile Shelters, LLC**,
Amarillo, TX (US)
(72) Inventors: **Rick Scott**, Lubbock, TX (US); **Tim Gragson**, Lubbock, TX (US); **Randy Lacy**, Lubbock, TX (US); **Oscar T. Scott, IV**, Amarillo, TX (US); **Dirk Derose**, Tulsa, OK (US)
(73) Assignee: **RED DOG MOBILE SHELTERS, LLC**, Amarillo, TX (US)
(**) Term: **15 Years**
(21) Appl. No.: **29/710,806**
(22) Filed: **Oct. 25, 2019**
(51) **LOC (13) Cl.** **15-04**
(52) **U.S. Cl.**
USPC **D15/19**
(58) **Field of Classification Search**
USPC D15/10, 12, 19, 21, 27, 28, 32, 33
CPC E01C 19/00; E01C 19/18
See application file for complete search history.

D268,586 S * 4/1983 Baum D15/19
D278,150 S * 3/1985 Burenga D15/19
D327,485 S * 6/1992 St. Ama D15/19
D477,331 S * 7/2003 Tsai D15/19
D504,135 S * 4/2005 Simpson D15/19
D527,391 S * 8/2006 Coli D15/19
D534,551 S * 1/2007 Kushlan D15/19
D611,067 S * 3/2010 Sweningson D15/10
D668,688 S * 10/2012 Kennard D15/19
D672,789 S * 12/2012 Bongiovanni D15/19
D760,807 S * 7/2016 Sutton D15/19
D781,925 S * 3/2017 Kanchibhotla D15/10
D784,418 S * 4/2017 Jin D15/10
10,259,140 B1 * 4/2019 Derose B28C 5/1246
D856,375 S * 8/2019 Mueller D15/19
D869,514 S * 12/2019 Andersson D15/19
2021/0237310 A1 * 8/2021 Scott B28C 5/0856

* cited by examiner

Primary Examiner — Michael C Stout
Assistant Examiner — Fitzgerald L Butac
(74) *Attorney, Agent, or Firm* — Russell Ng PLLC; Brian F. Russell

(57) **CLAIM**

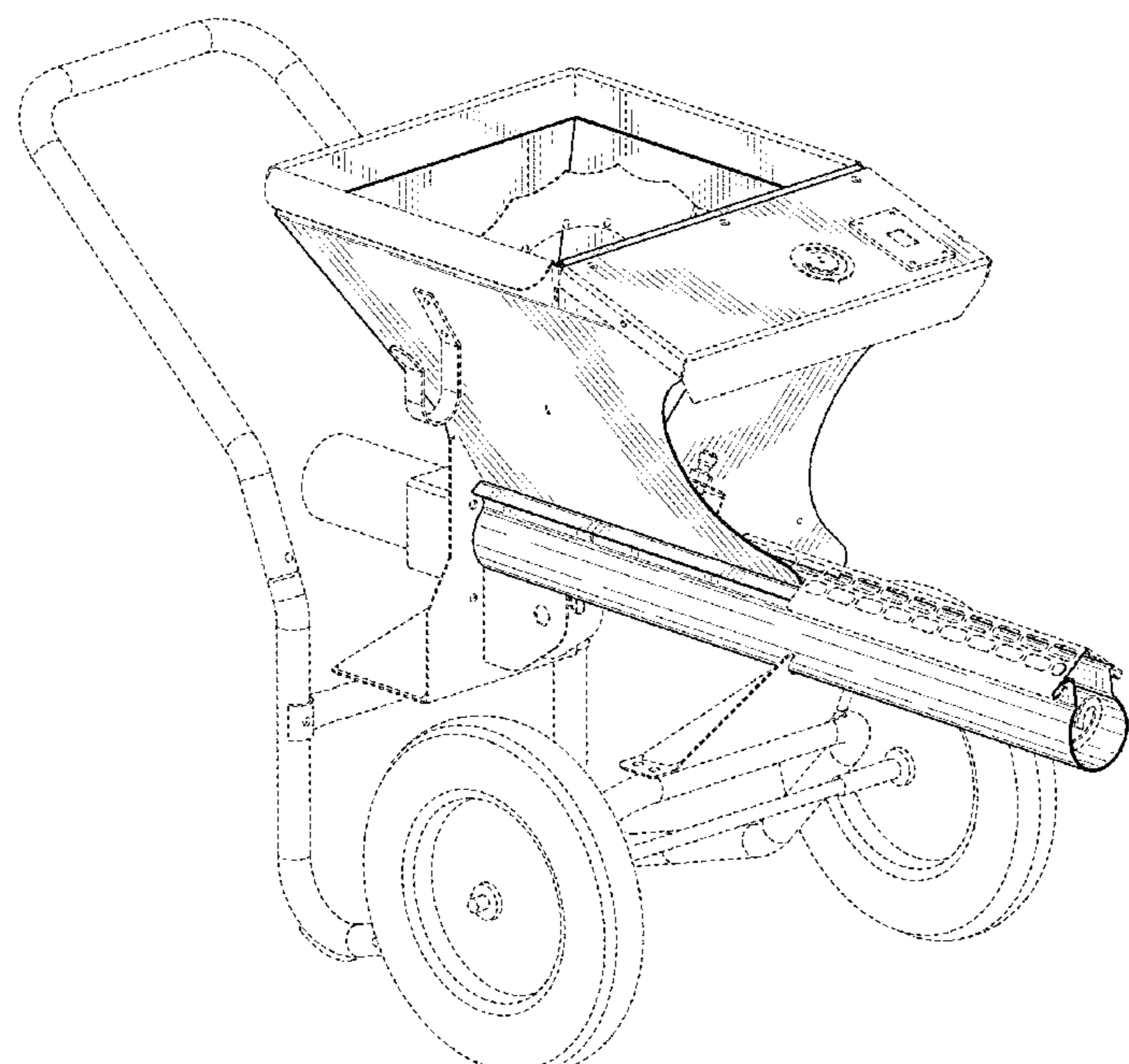
The ornamental design for a portable mixer, as shown and described.

DESCRIPTION

FIG. 1 is a perspective view of the portable mixer.
FIG. 2 is a front elevation view of the portable mixer.
FIG. 3 is a back elevation view of the portable mixer.
FIG. 4 is a left side elevation view of the portable mixer.
FIG. 5 is a right side elevation view of the portable mixer.
FIG. 6 is a top plan view of the portable mixer; and,
FIG. 7 is a bottom plan view of the portable mixer.
The broken lines show portions of a portable mixer which form no part of the claimed design.

1 Claim, 7 Drawing Sheets

(56) **References Cited**
U.S. PATENT DOCUMENTS
D156,414 S * 12/1949 Fleischmann D15/19
D164,358 S * 8/1951 Faber D15/19
D185,844 S * 8/1959 Yager D15/19
D187,717 S * 4/1960 Kayser D15/19
D196,638 S * 10/1963 Parker et al. D15/19
D245,006 S * 7/1977 Mills D15/19
D246,715 S * 12/1977 Clement D15/19
D256,800 S * 9/1980 Deen D15/19
D260,150 S * 8/1981 Palmer D15/19



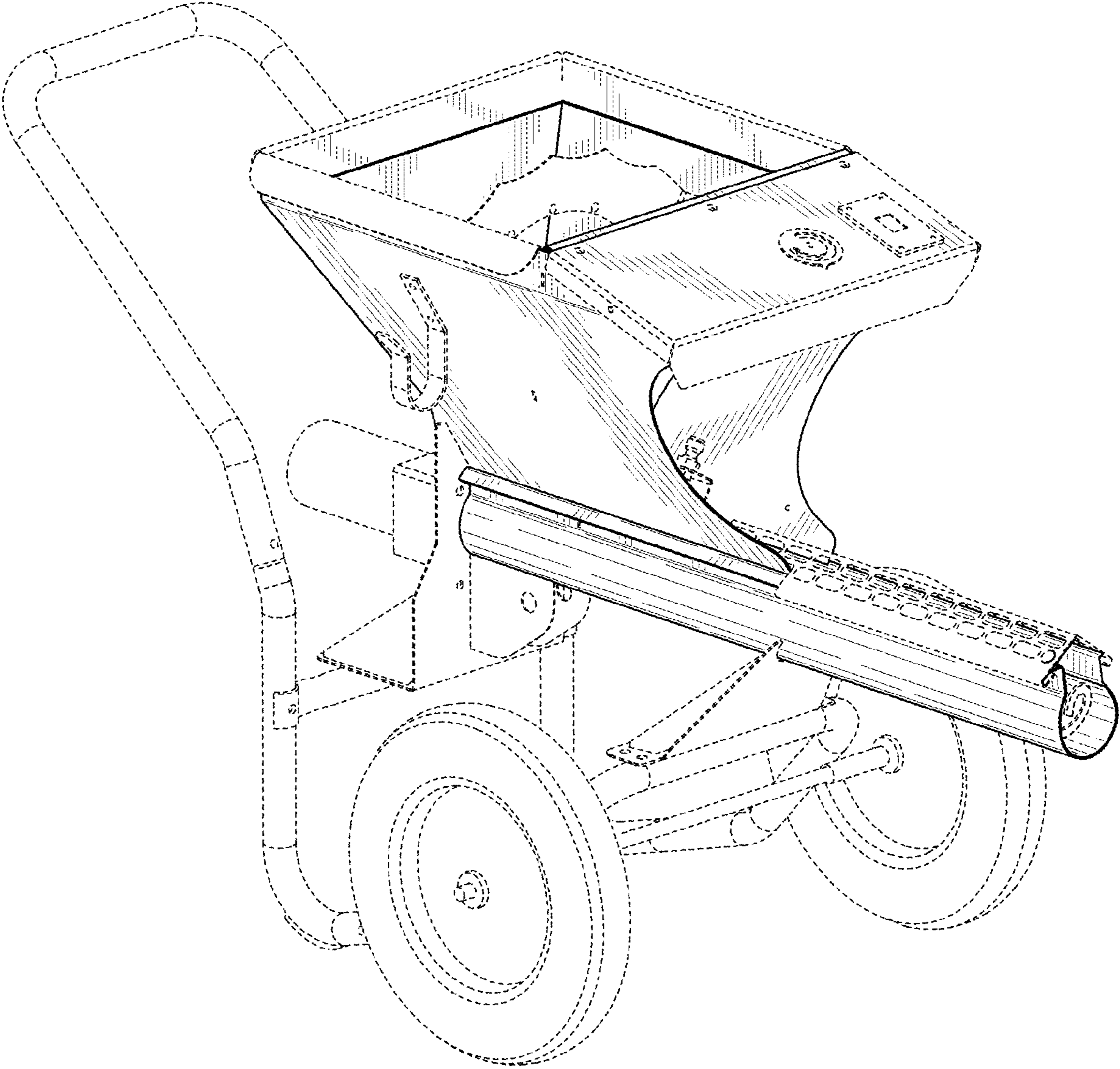


FIG. 1

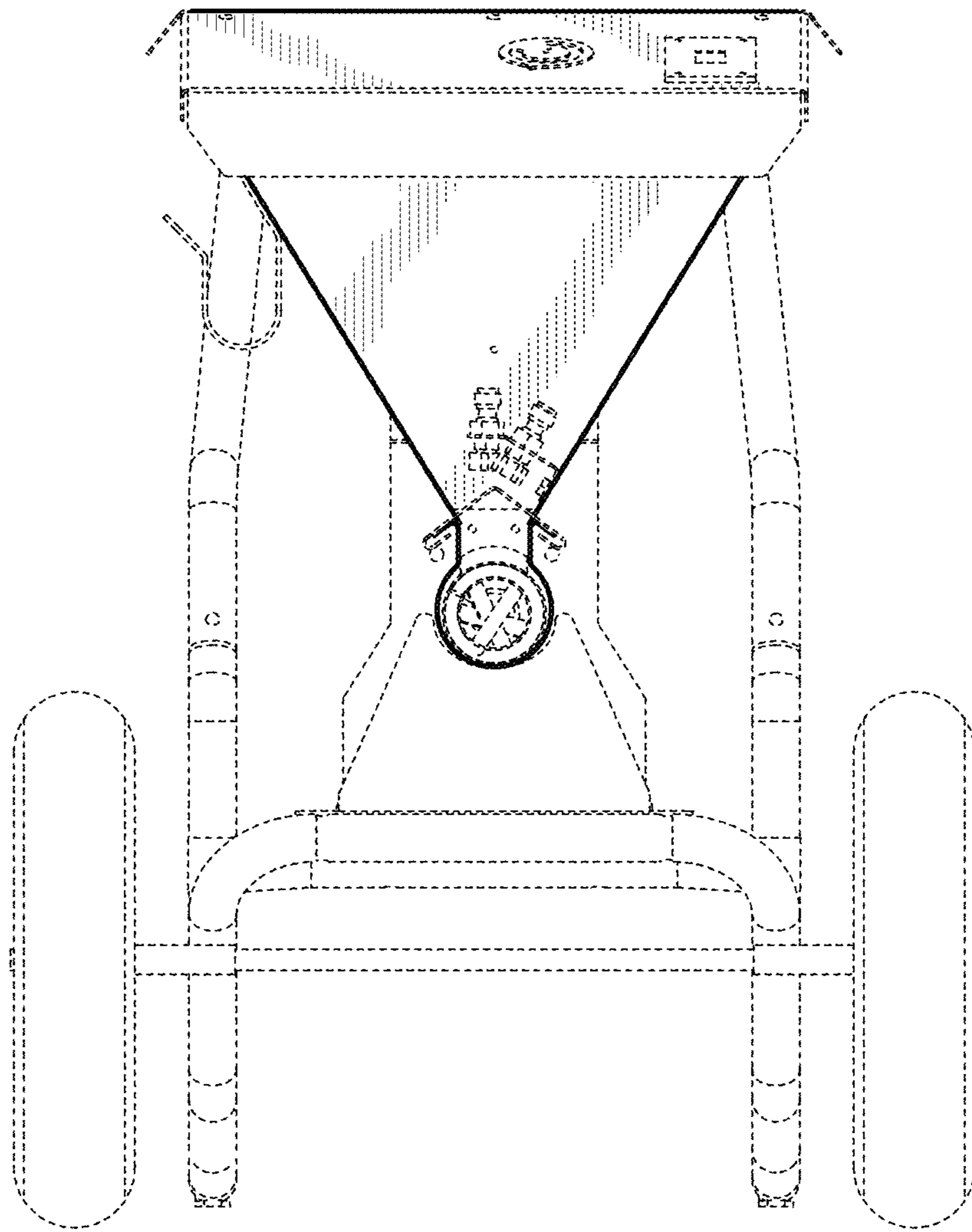


FIG. 2

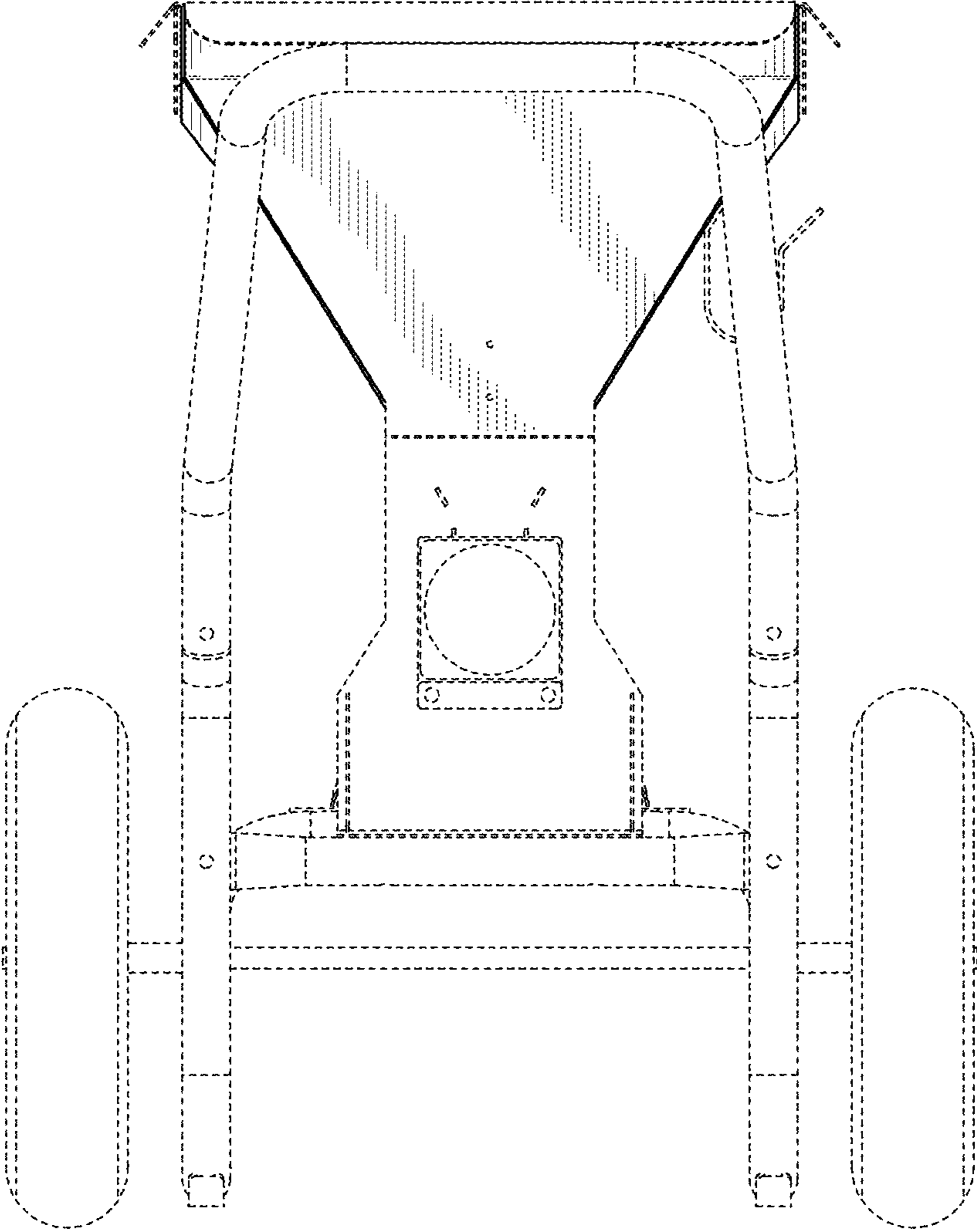


FIG. 3

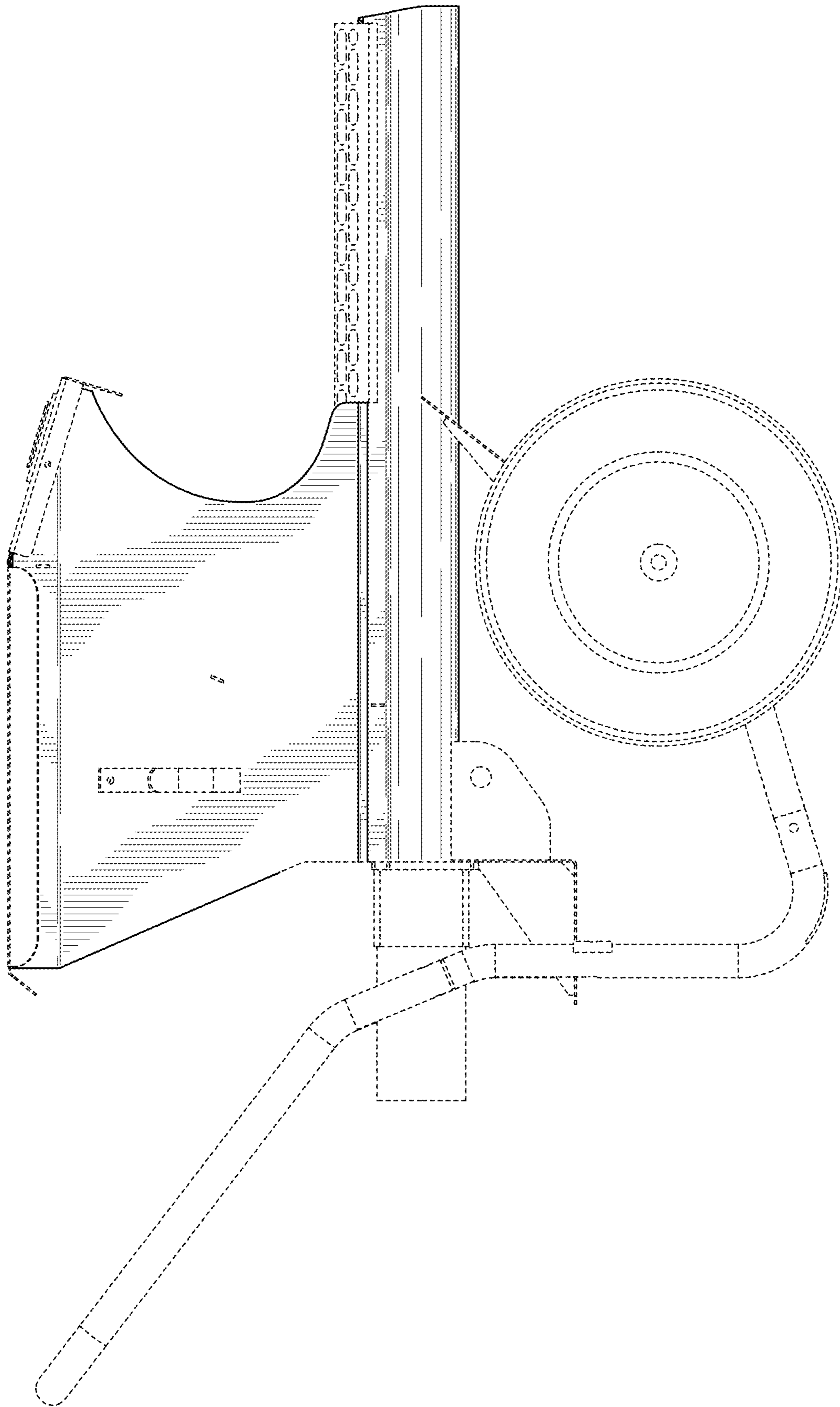


FIG. 4

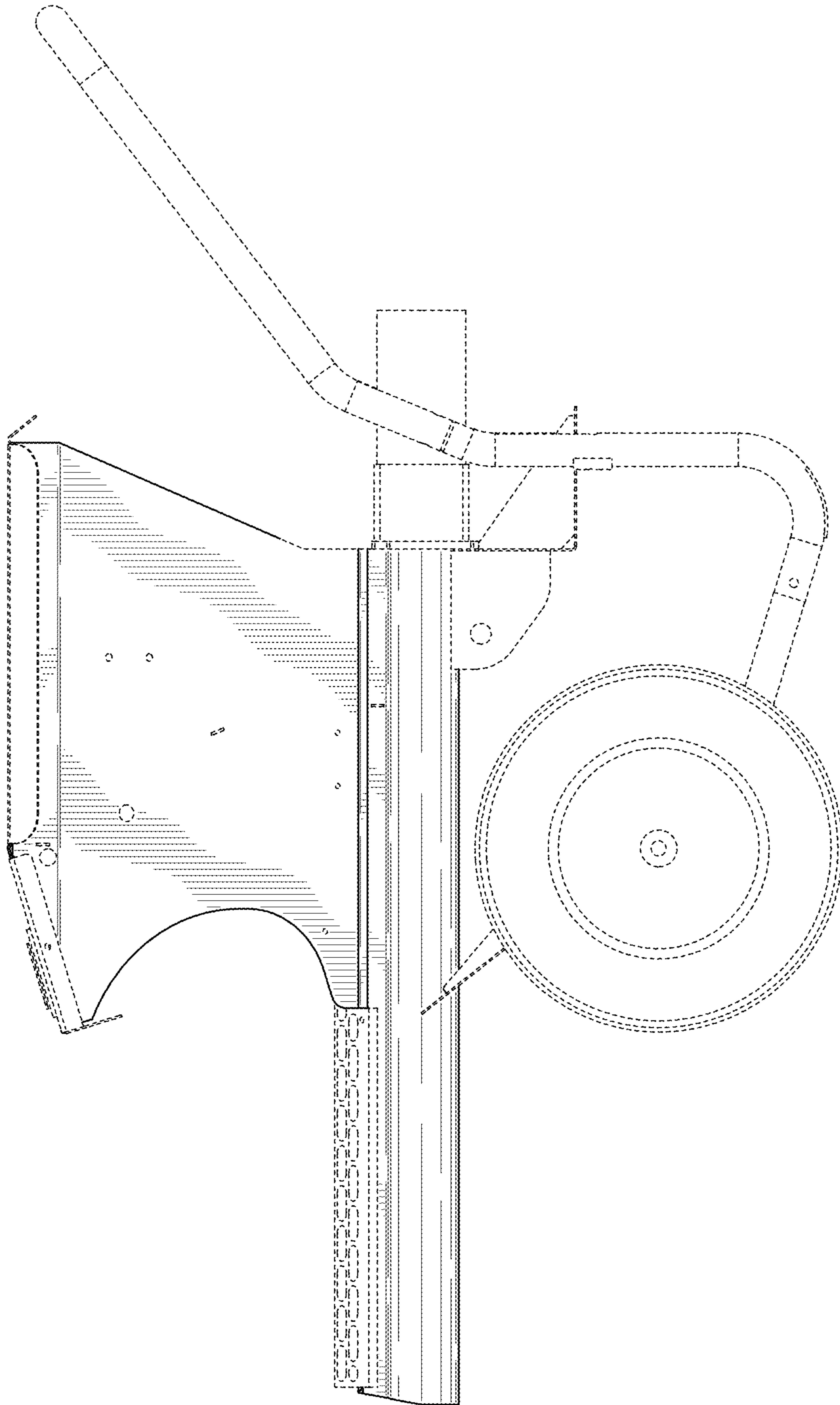


FIG. 5

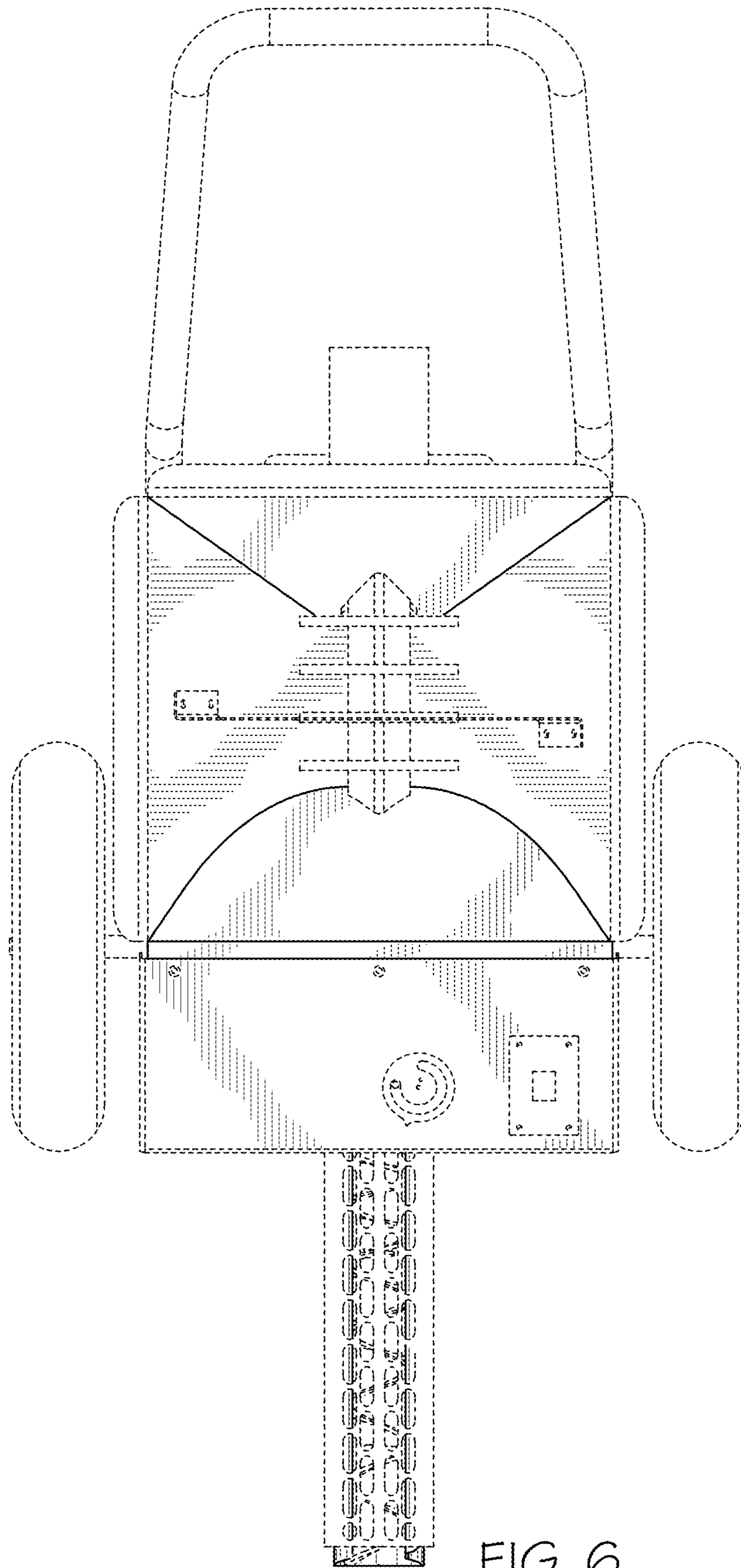


FIG. 6

