



US00D943638S

(12) **United States Design Patent** (10) **Patent No.:** **US D943,638 S**
Rauch et al. (45) **Date of Patent:** **** Feb. 15, 2022**

(54) **ROBOTIC MOWER WHEEL**
(71) Applicant: **Husqvarna AB**, Huskvarna (SE)
(72) Inventors: **Martin Rauch**, Stuttgart (DE);
Alexander Turesson, Enskede (SE)
(73) Assignee: **Husqvarna AB**, Huskvarna (SE)

(**) Term: **15 Years**

(21) Appl. No.: **29/748,111**

(22) Filed: **Aug. 27, 2020**

(30) **Foreign Application Priority Data**

Feb. 27, 2020 (EM) 007721360-0004

(51) **LOC (13) Cl.** **15-03**

(52) **U.S. Cl.**
USPC **D15/17; D12/204**

(58) **Field of Classification Search**
USPC D15/10-31; D12/204, 207, 208-212, 400
CPC B60B 7/04; B60B 7/01; B60B 7/06; B60B
7/00; B60B 7/02; B60B 3/02; B60B 3/04;
B60B 3/06; B60B 3/10; B60B 1/00;
B60B 1/08; B60B 1/10; B60B 1/12
See application file for complete search history.

(56) **References Cited**

U.S. PATENT DOCUMENTS

D325,011 S * 3/1992 Marking D12/210
D328,053 S * 7/1992 Marking D12/501
D466,962 S * 12/2002 Chen D21/779
D530,726 S * 10/2006 Martin D15/17
D770,539 S * 11/2016 Mast D15/17

D782,391 S * 3/2017 Schaedler B60C 11/0311
D12/501
D784,917 S * 4/2017 Schaedler D12/592
D792,332 S * 7/2017 Schaedler D12/568
D792,333 S * 7/2017 Schaedler D12/568
D864,256 S * 10/2019 Eidson D15/17
D882,640 S * 4/2020 Estey D15/17
10,899,169 B2 * 1/2021 Schaedler B60B 25/006

* cited by examiner

Primary Examiner — Mark A Goodwin

(74) *Attorney, Agent, or Firm* — Burr & Forman, LLP

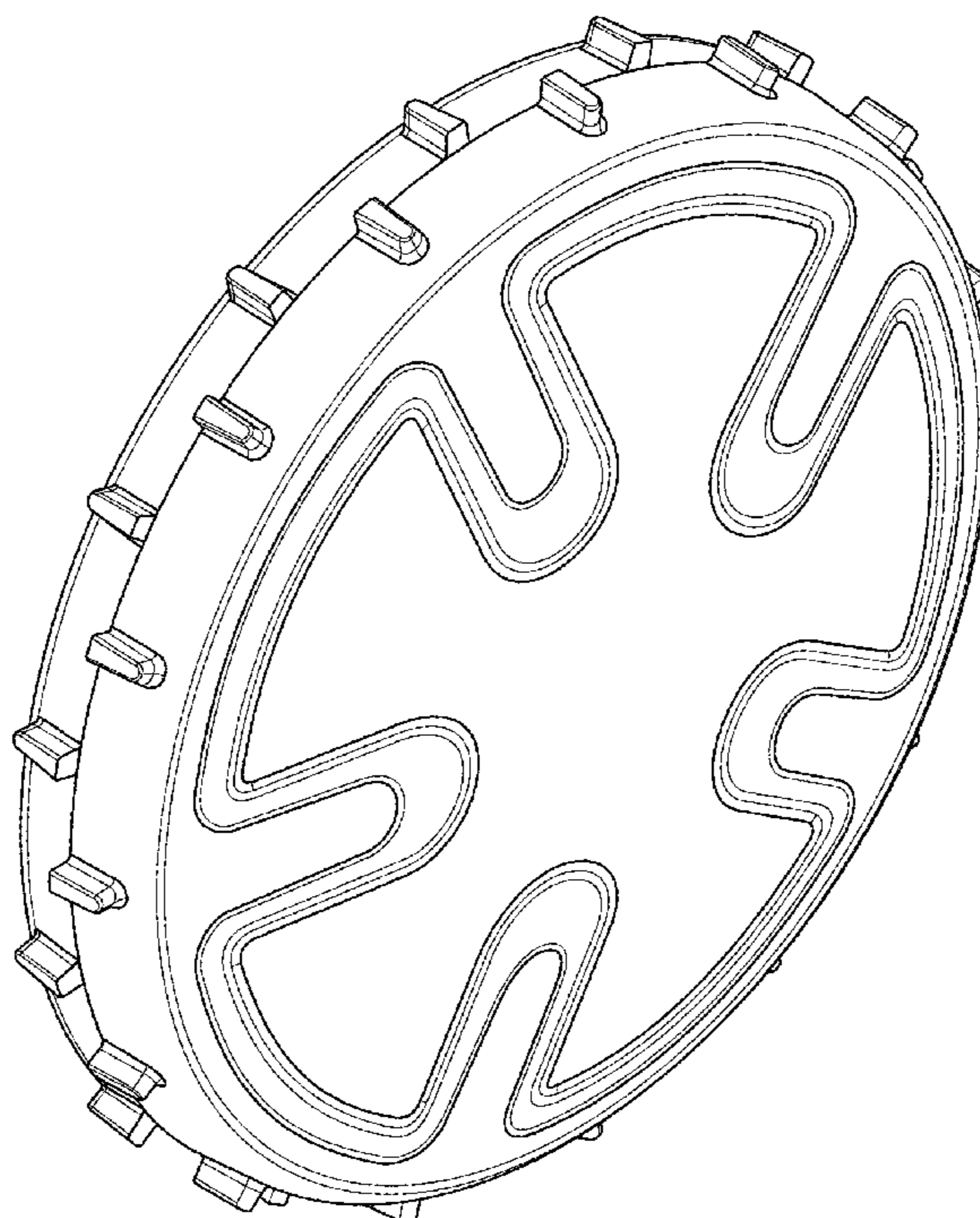
(57) **CLAIM**

The ornamental design for the robotic mower wheel, as shown and described.

DESCRIPTION

FIG. 1 is a perspective view of a robotic mower wheel in accordance with an embodiment of the present invention; FIG. 2 is a back view of the robotic mower wheel of FIG. 1; FIG. 3 is a front view of the robotic mower wheel of FIG. 1; FIG. 4 is a left side view of the robotic mower wheel of FIG. 1; FIG. 5 is a right side view of the robotic mower wheel of FIG. 1; FIG. 6 is a top view of the robotic mower wheel of FIG. 1; and, FIG. 7 is a bottom view of the robotic mower wheel of FIG. 1. The broken lines of the robotic mower wheel in FIGS. 1-7 form no part of the claimed design.

1 Claim, 5 Drawing Sheets



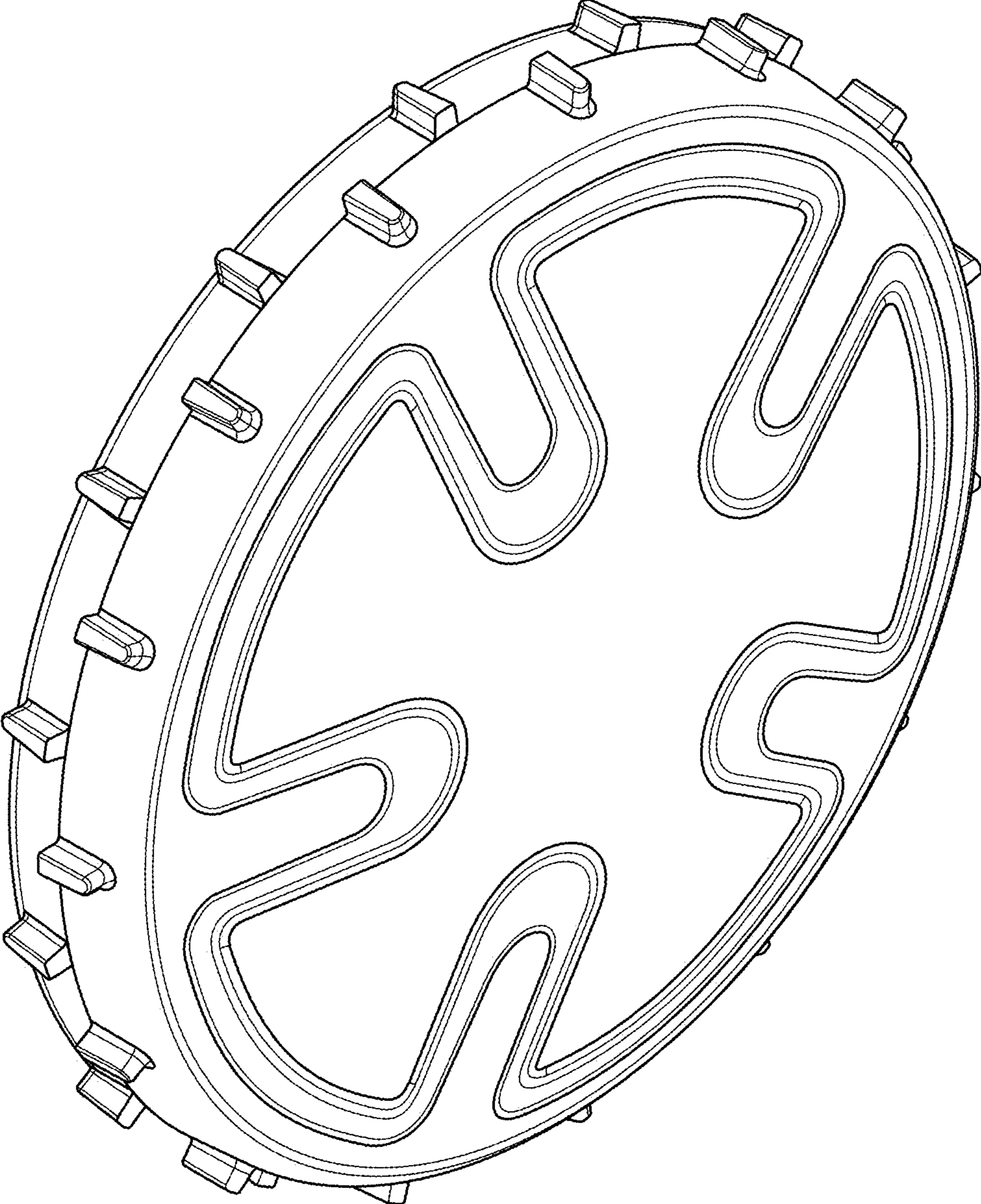


FIG. 1

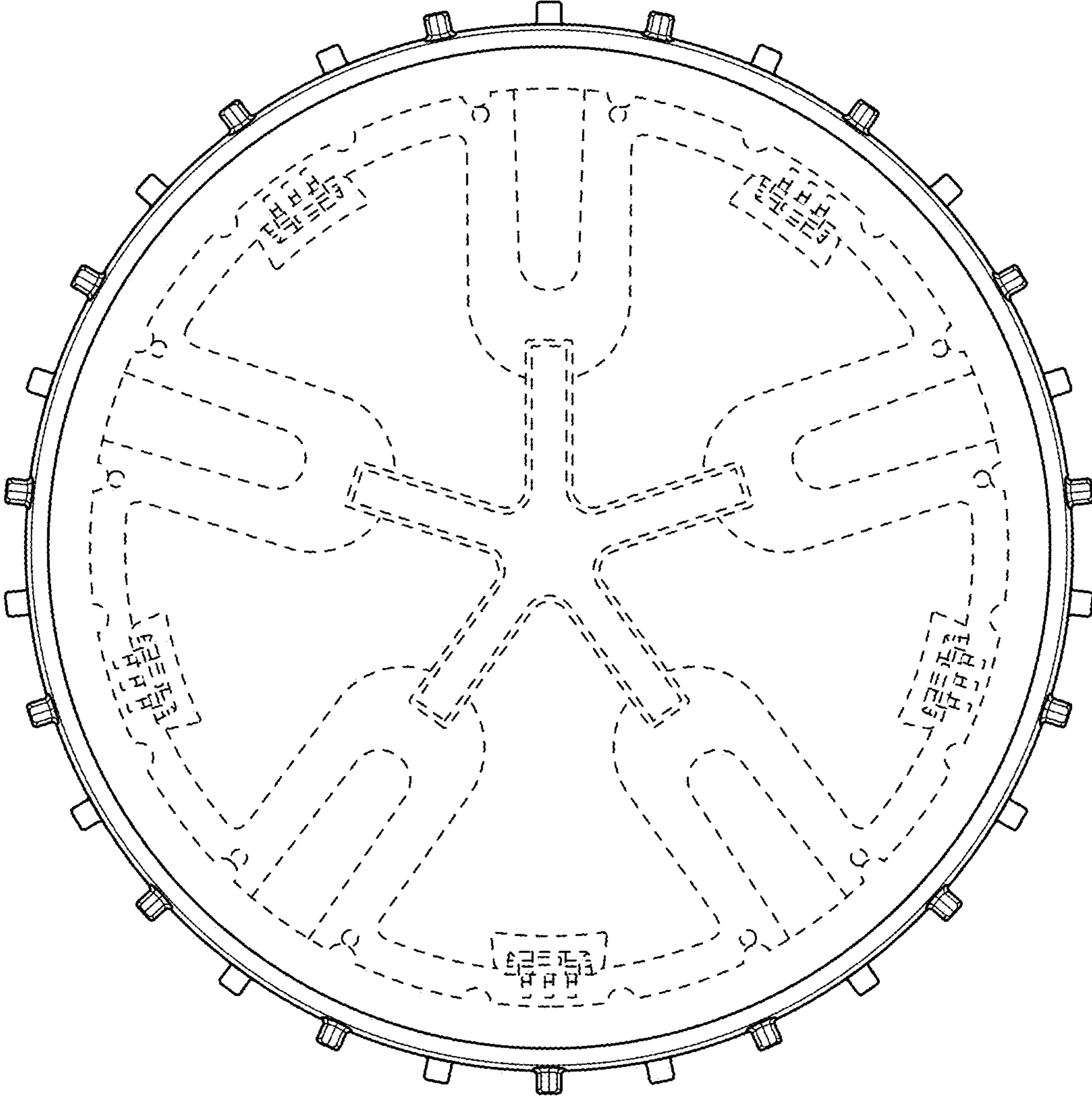


FIG. 2

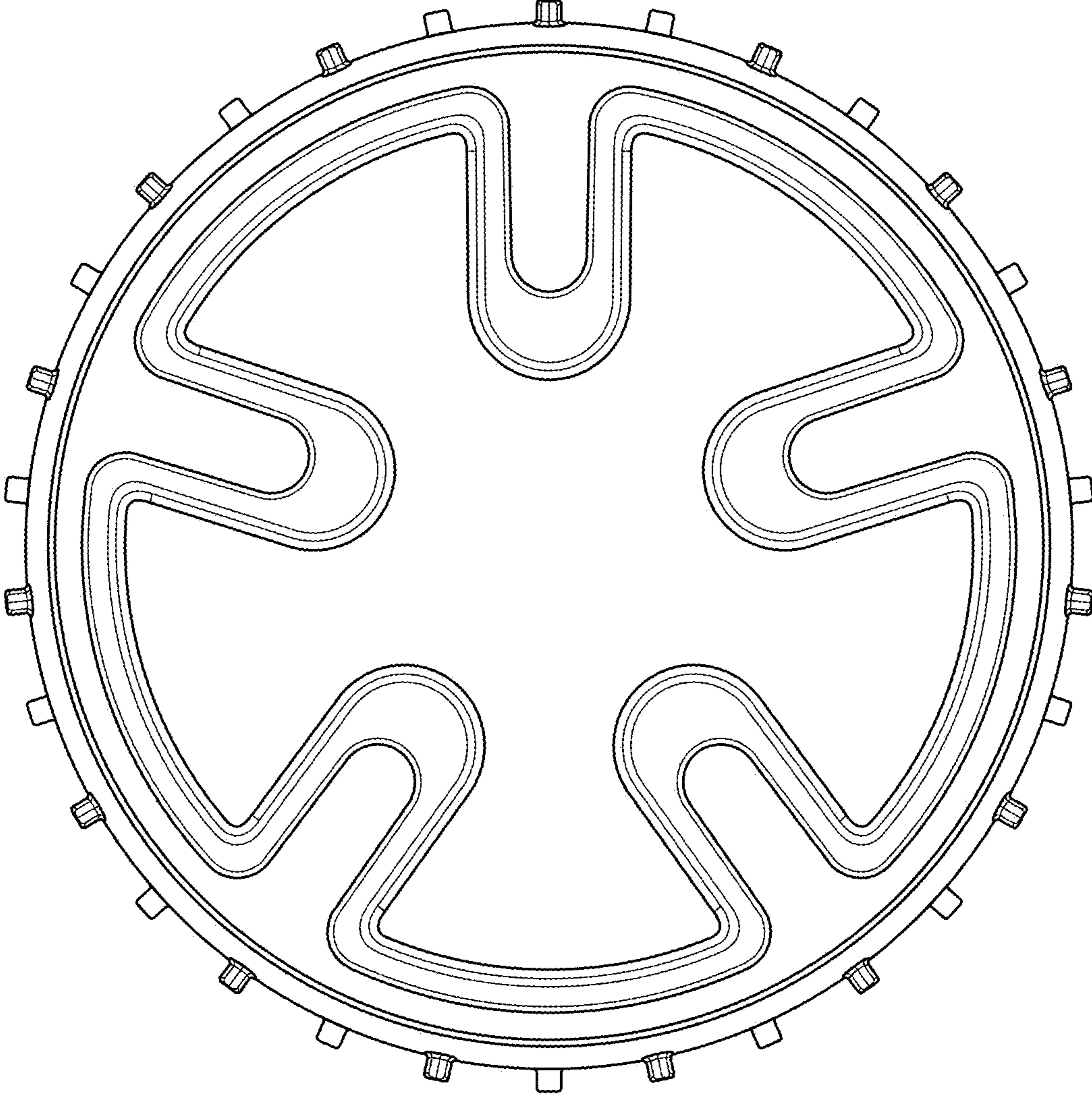


FIG. 3

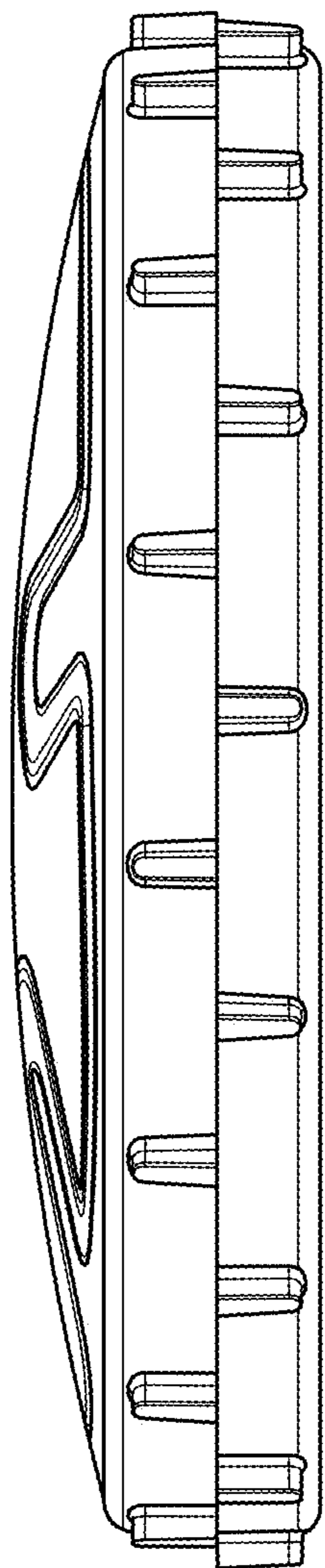


FIG. 4

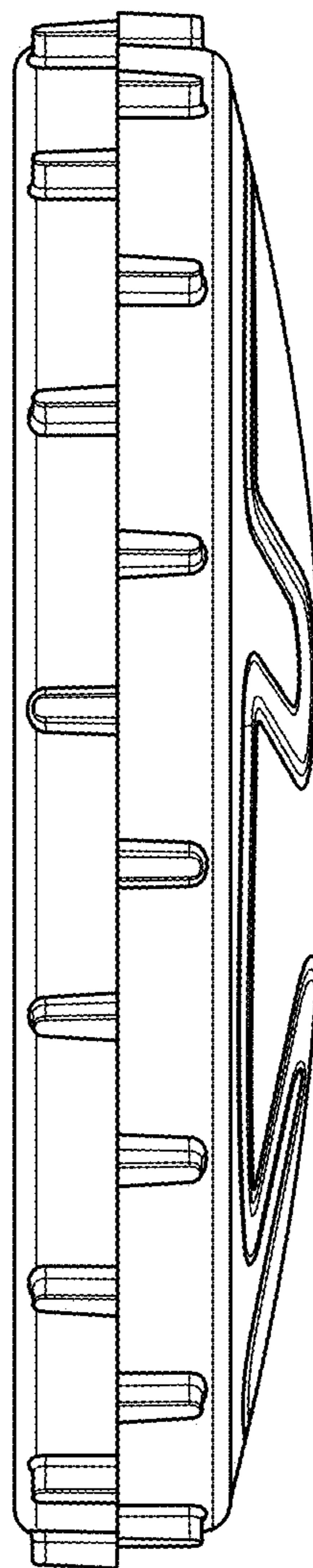


FIG. 5

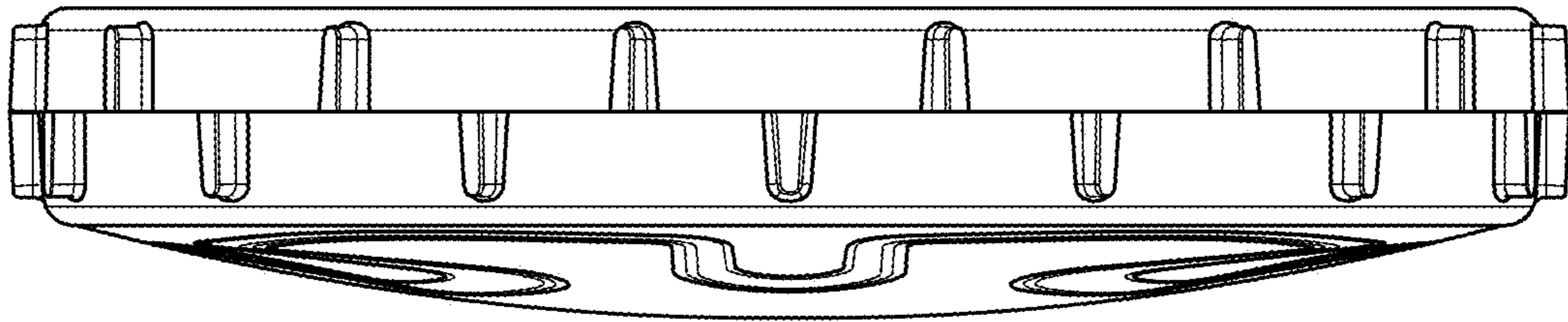


FIG. 6

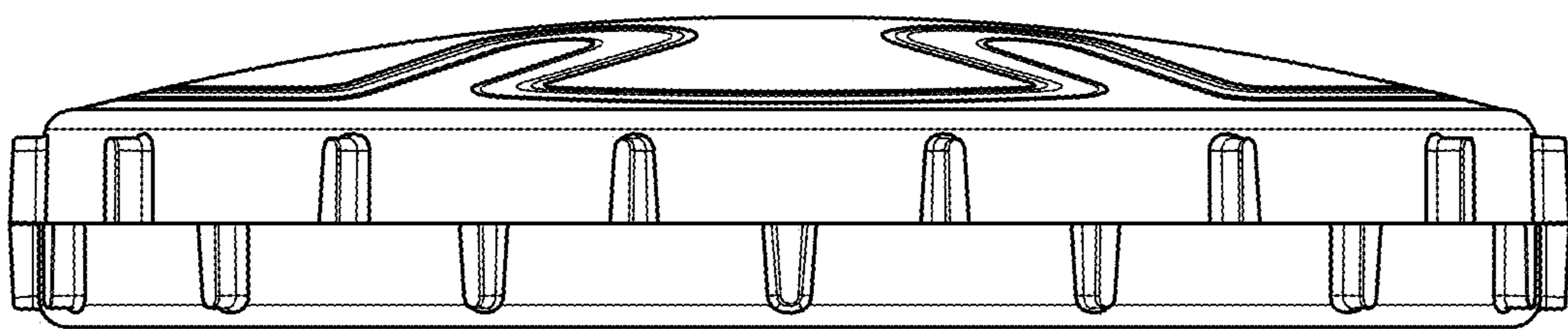


FIG. 7