



US00D943637S

(12) **United States Design Patent** (10) **Patent No.:** **US D943,637 S**  
**Fujii** (45) **Date of Patent:** **\*\* Feb. 15, 2022**

(54) **PISTON PUMP**

OTHER PUBLICATIONS

(71) Applicant: **KAWASAKI JUKOGYO**  
**KABUSHIKI KAISHA**, Kobe (JP)

(72) Inventor: **Tomoyuki Fujii**, Kobe (JP)

(73) Assignee: **KAWASAKI JUKOGYO**  
**KABUSHIKI KAISHA**, Kobe (JP)

(\*\*) Term: **15 Years**

(21) Appl. No.: **29/745,749**

(22) Filed: **Aug. 7, 2020**

(30) **Foreign Application Priority Data**

Feb. 12, 2020 (JP) ..... 2020-002638

(51) **LOC (13) Cl.** ..... **15-02**

(52) **U.S. Cl.**  
USPC ..... **D15/7**

(58) **Field of Classification Search**

USPC ..... D15/7, 9, 143, 148-149, 199; D23/225,  
D23/231-233, 235

CPC ..... F15B 15/16; F15B 15/26; F15B 15/1414;  
F15B 15/1919; F15B 15/14; F15B 15/00;  
F15B 15/08; F15B 15/18; F15B 15/20;  
F02M 37/04; F04D 29/4286

See application file for complete search history.

(56) **References Cited**

U.S. PATENT DOCUMENTS

D613,769 S \* 4/2010 Kitamura ..... D15/7  
D613,770 S \* 4/2010 Kitamura ..... D15/7  
D688,273 S \* 8/2013 Magri ..... D15/7  
D706,832 S \* 6/2014 Bayyouk ..... D15/7  
D786,309 S \* 5/2017 Meyer ..... D15/7  
D805,557 S \* 12/2017 Lanevongsa ..... D15/7  
2016/0348654 A1 \* 12/2016 Yasuda ..... F04B 27/22

Kawasaki, "Hydraulic Pumps", (site visited Aug. 10, 2021), KPM-US.com, URL:<<https://www.kpm-usa.com/products/hydraulic-pumps/>> (Year: 2021).\*

Danfoss, HIT 045/053/060/068 H1 Axial Piston Tandem Pumps, (Published Jul. 2018), Slimlinehydrotek.com website, URL:<<https://www.slimlinehydrotek.com/wp-content/uploads/2020/05/H1-Axial-Piston-Tandem-Pumps.pdf>> (Year: 2018).\*

\* cited by examiner

*Primary Examiner* — Sheryl Lane

*Assistant Examiner* — Mark T. Philipps

(74) *Attorney, Agent, or Firm* — Alleman Hall Creasman & Tuttle LLP

(57) **CLAIM**

The ornamental design for a piston pump, as shown and described.

**DESCRIPTION**

FIG. 1 is a top left side perspective view of an ornamental design for a piston pump showing our new design.

FIG. 2 is a bottom left side perspective view of the piston pump of FIG. 1.

FIG. 3 is a top right side perspective view of the piston pump of FIG. 1.

FIG. 4 is a bottom right side perspective view of the piston pump of FIG. 1.

FIG. 5 is a front view of the piston pump of FIG. 1.

FIG. 6 is a rear view of the piston pump of FIG. 1.

FIG. 7 is a left side view of the piston pump of FIG. 1.

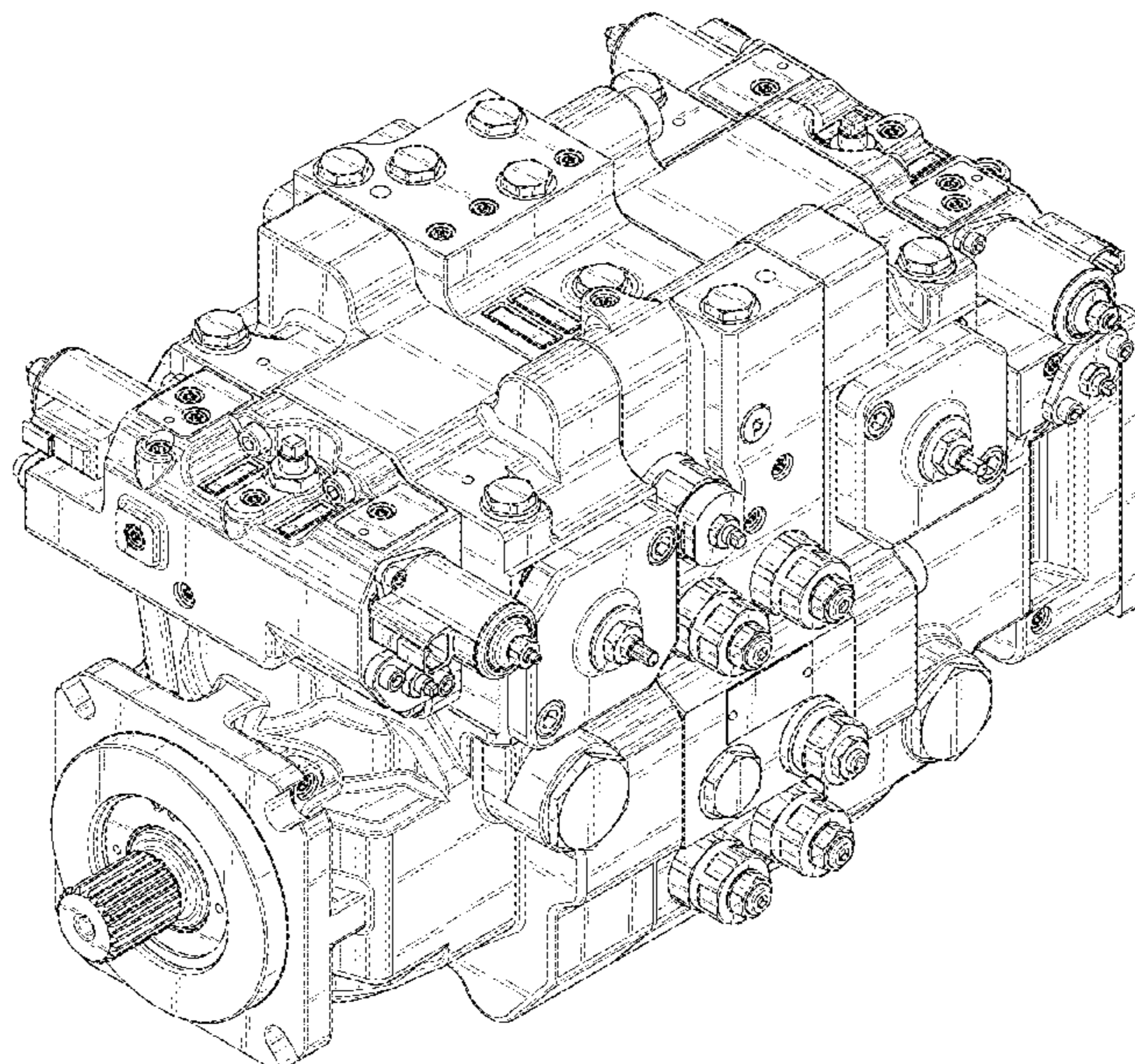
FIG. 8 is a right side view of the piston pump of FIG. 1.

FIG. 9 is a top view of the piston pump of FIG. 1; and,

FIG. 10 is a bottom view of the piston pump of FIG. 1.

This article is a tandem piston pump that can be used in, for example, construction machinery.

**1 Claim, 10 Drawing Sheets**



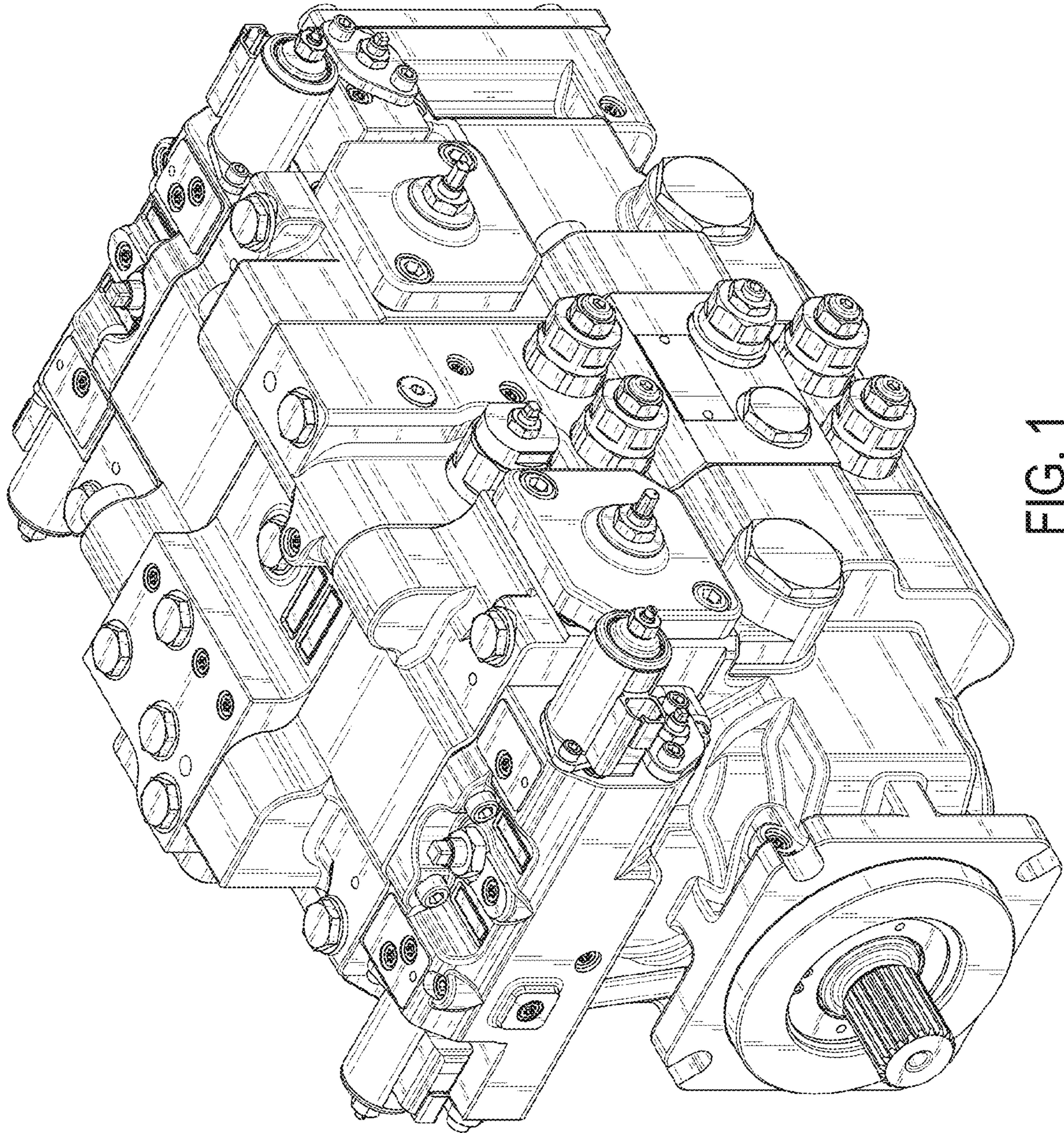


FIG. 1

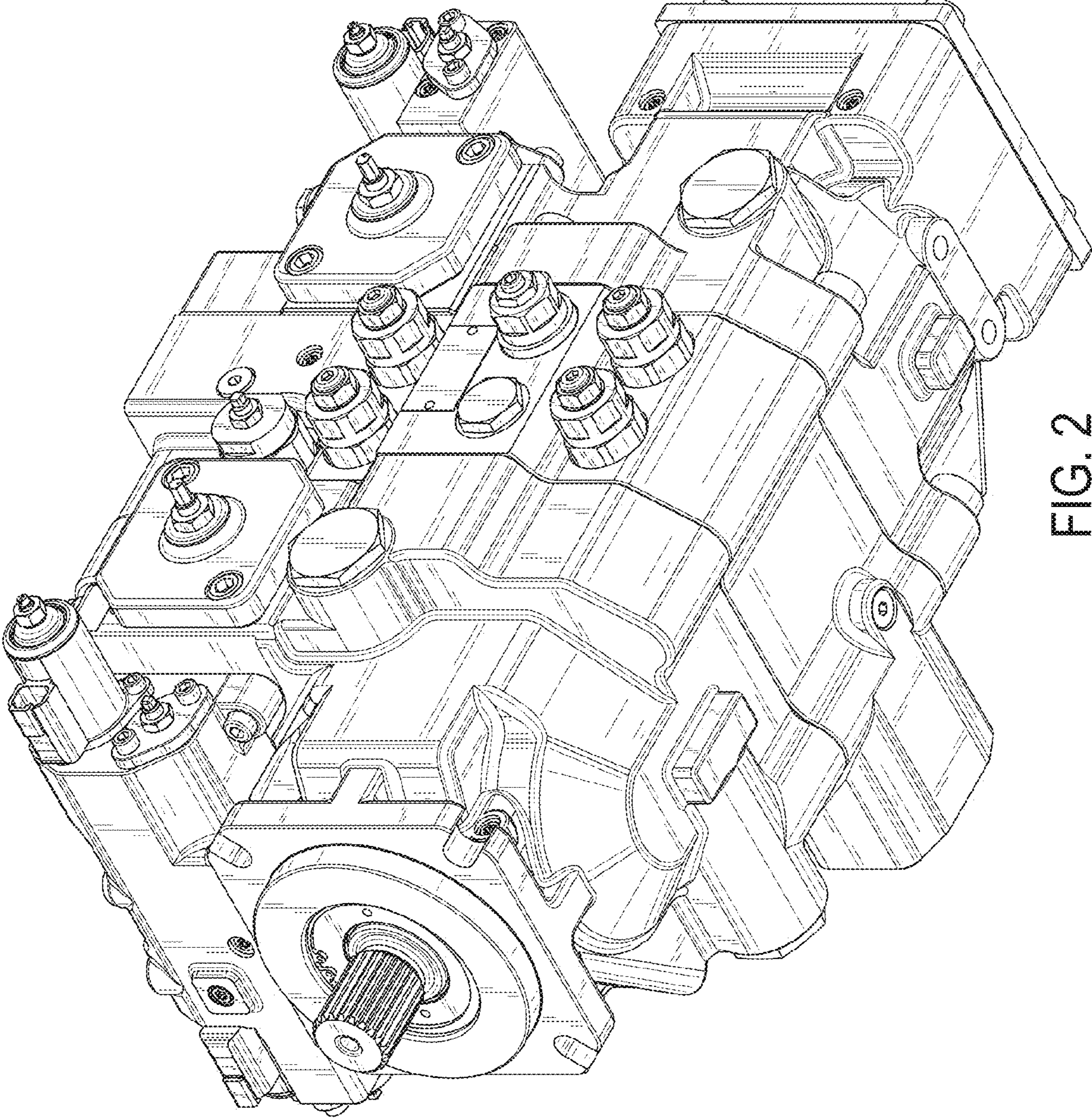


FIG. 2

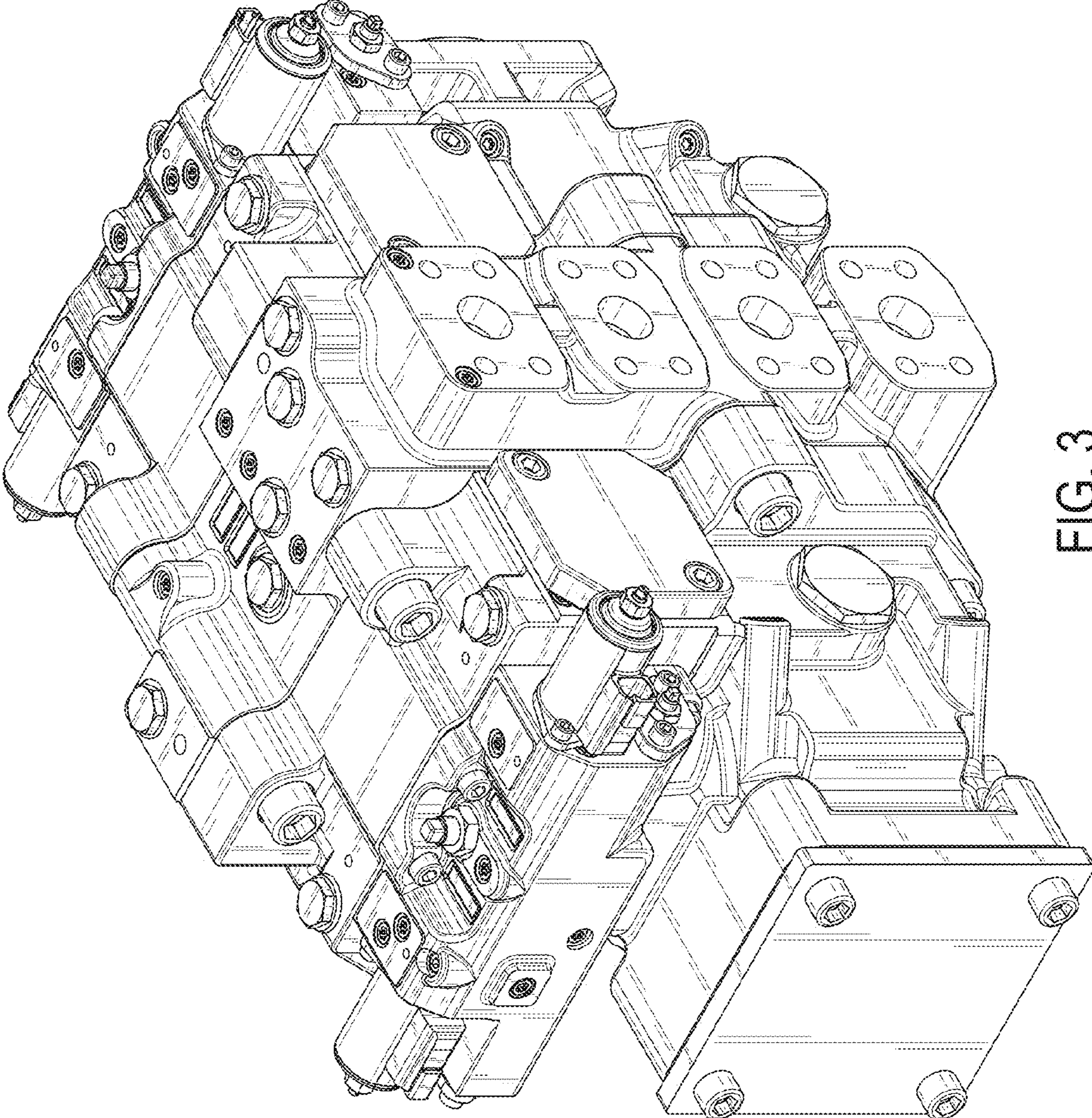


FIG. 3

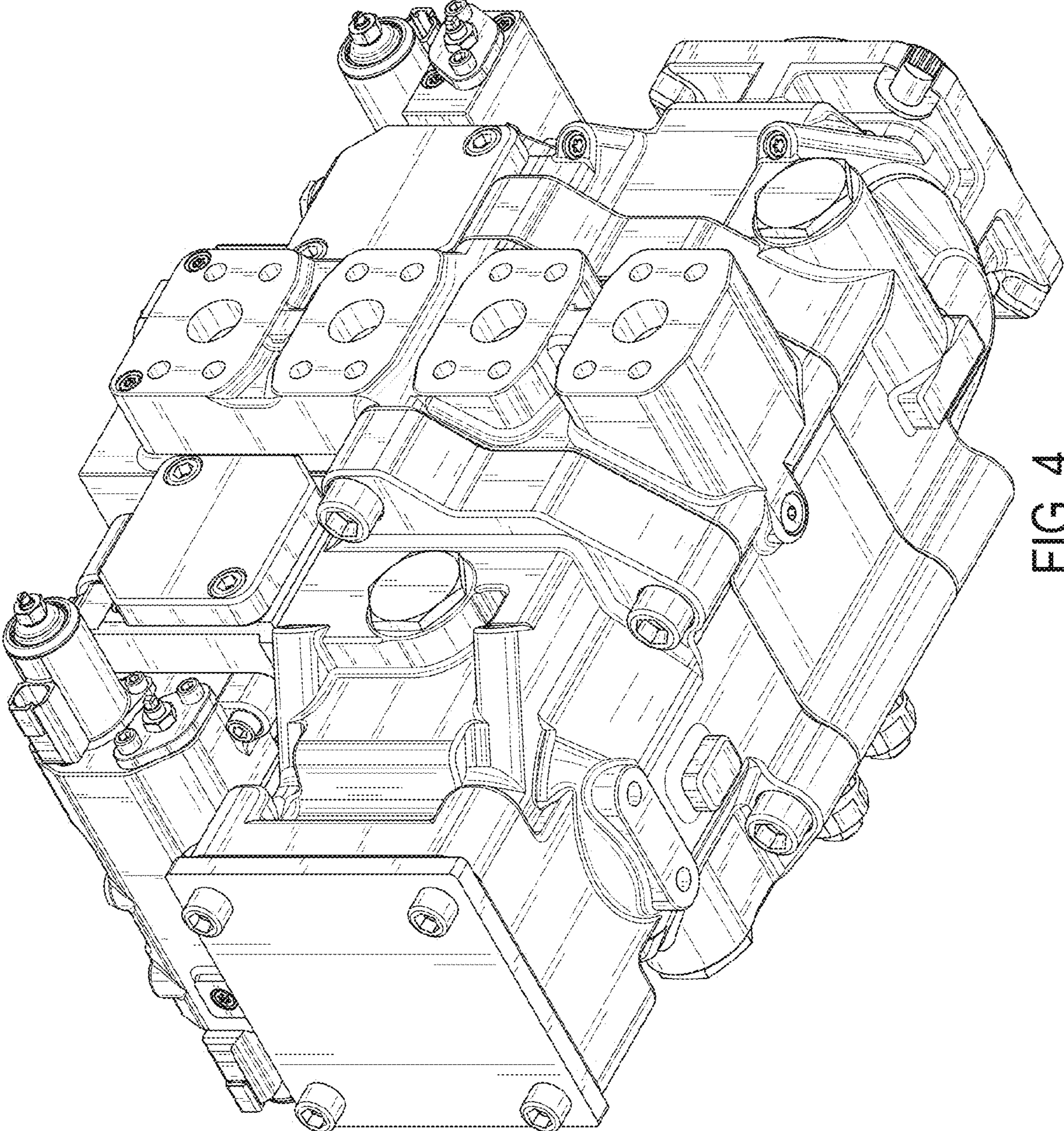


FIG. 4

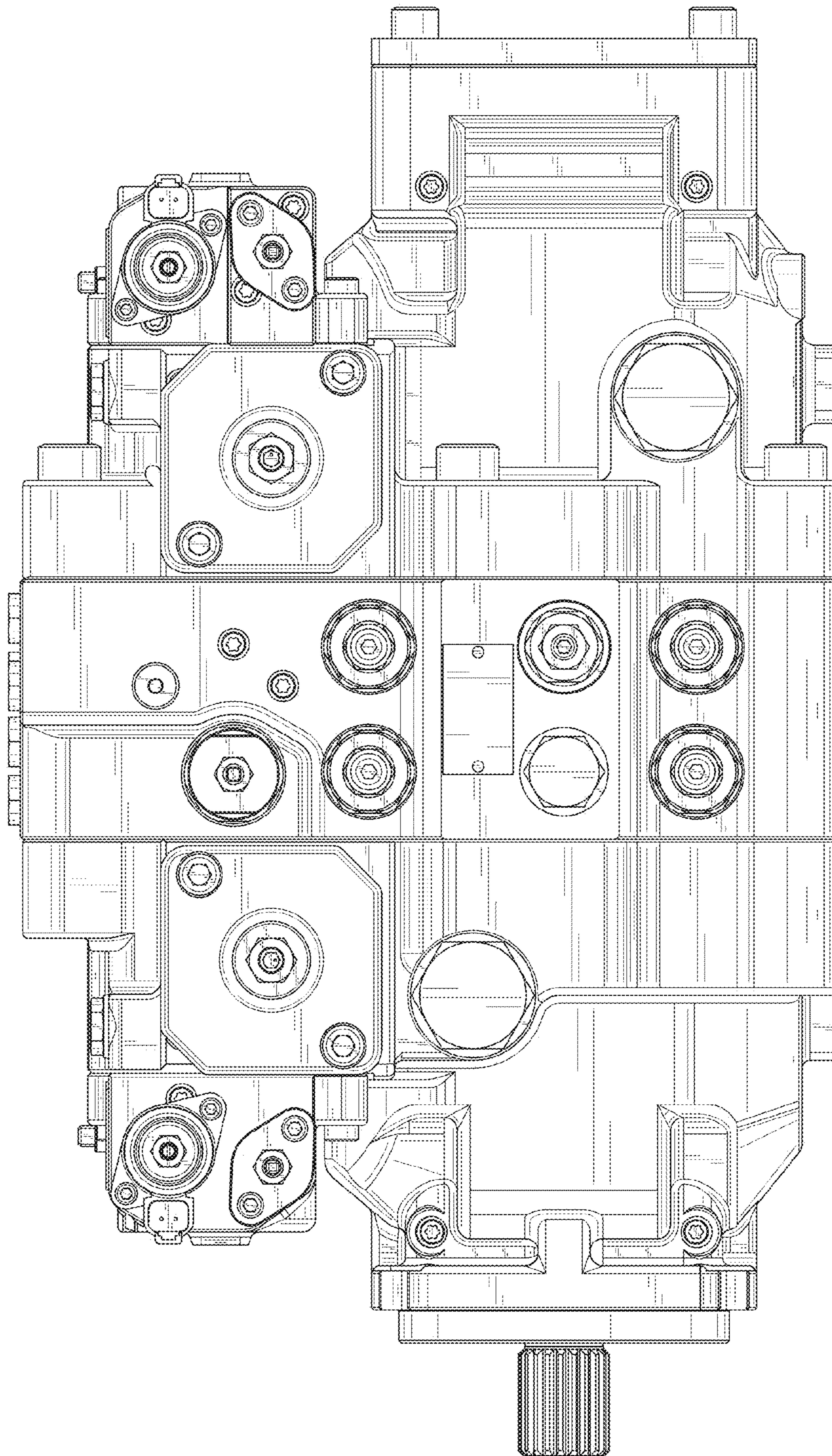


FIG. 5

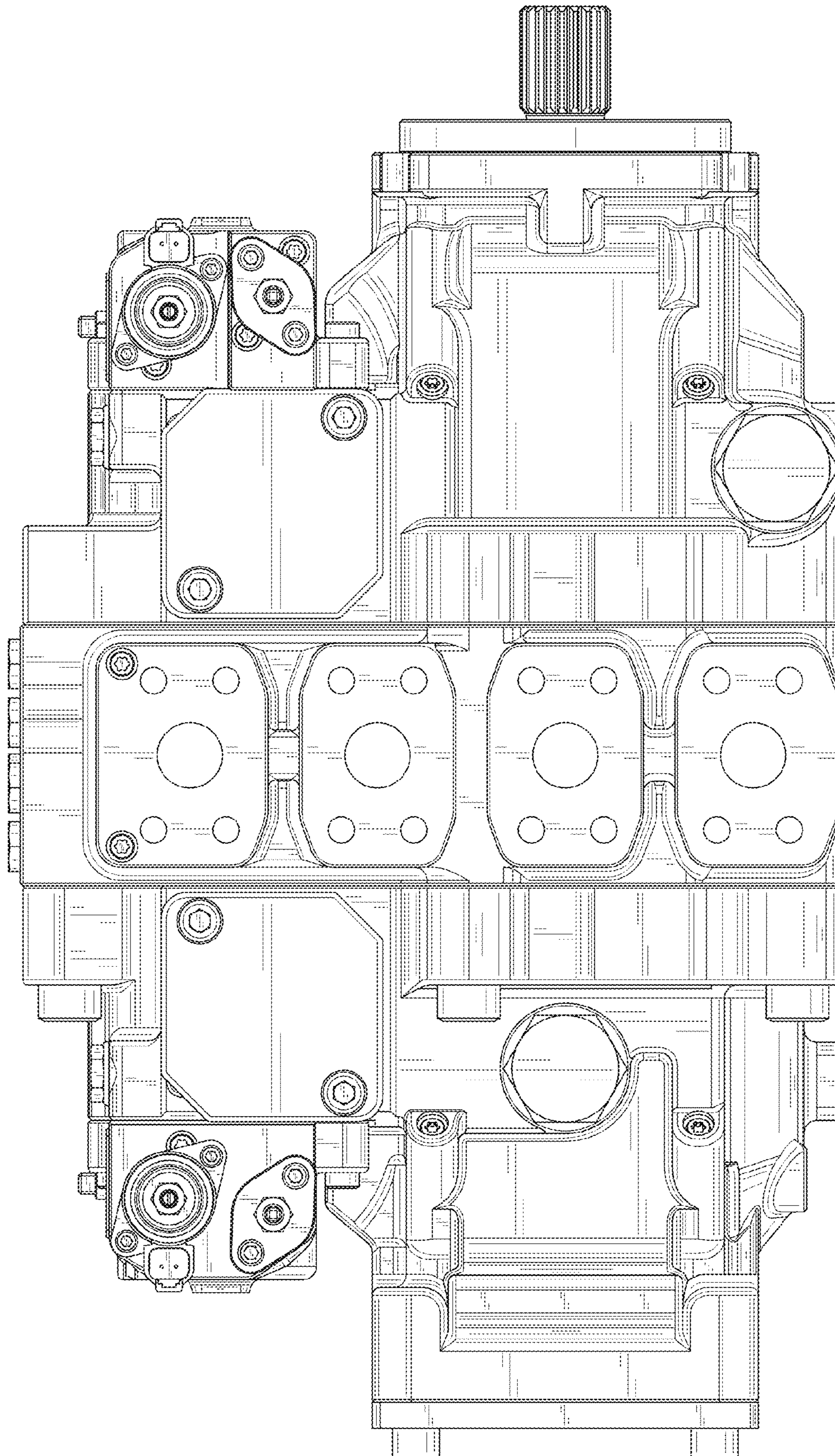


FIG. 6

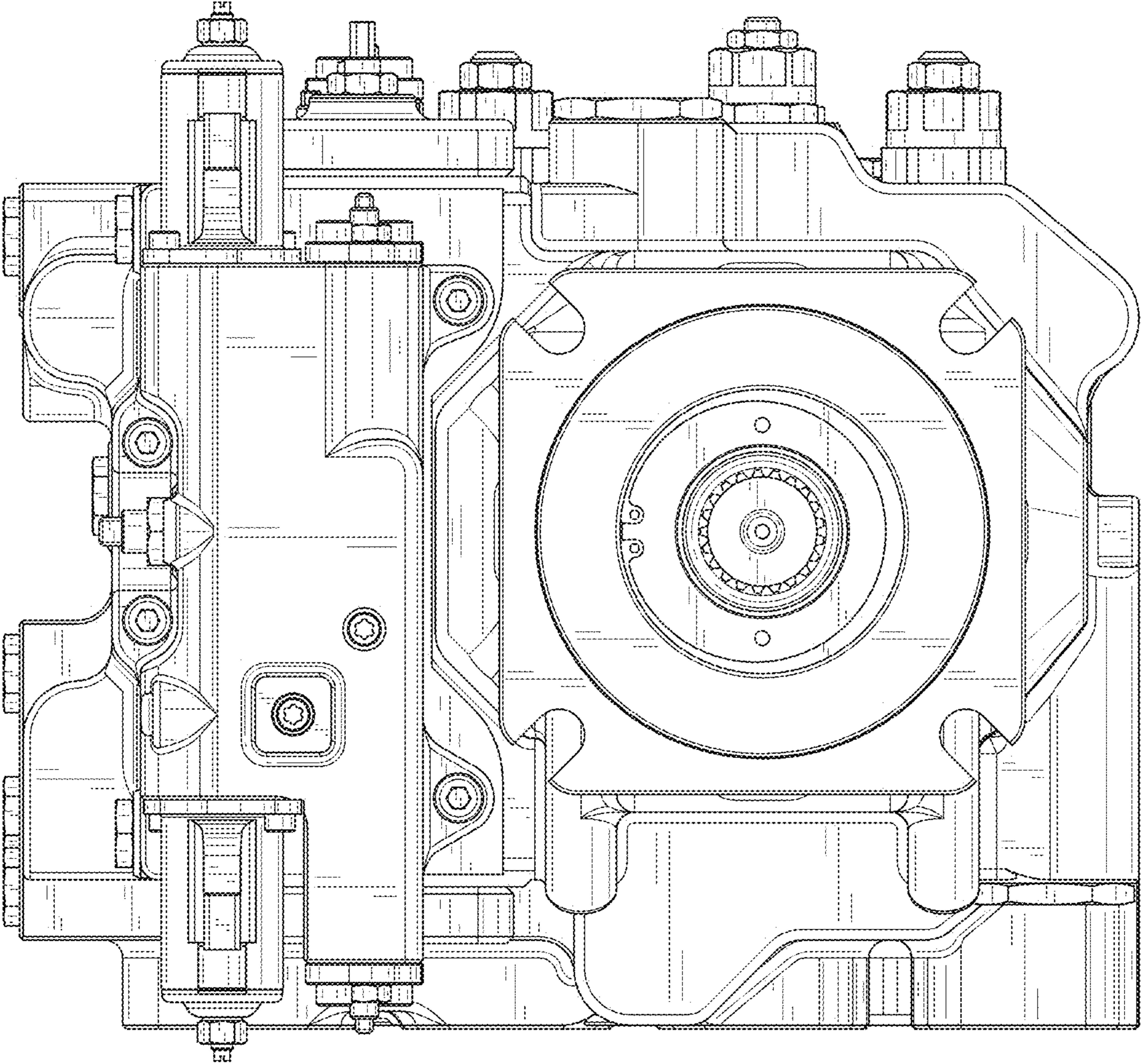


FIG. 7



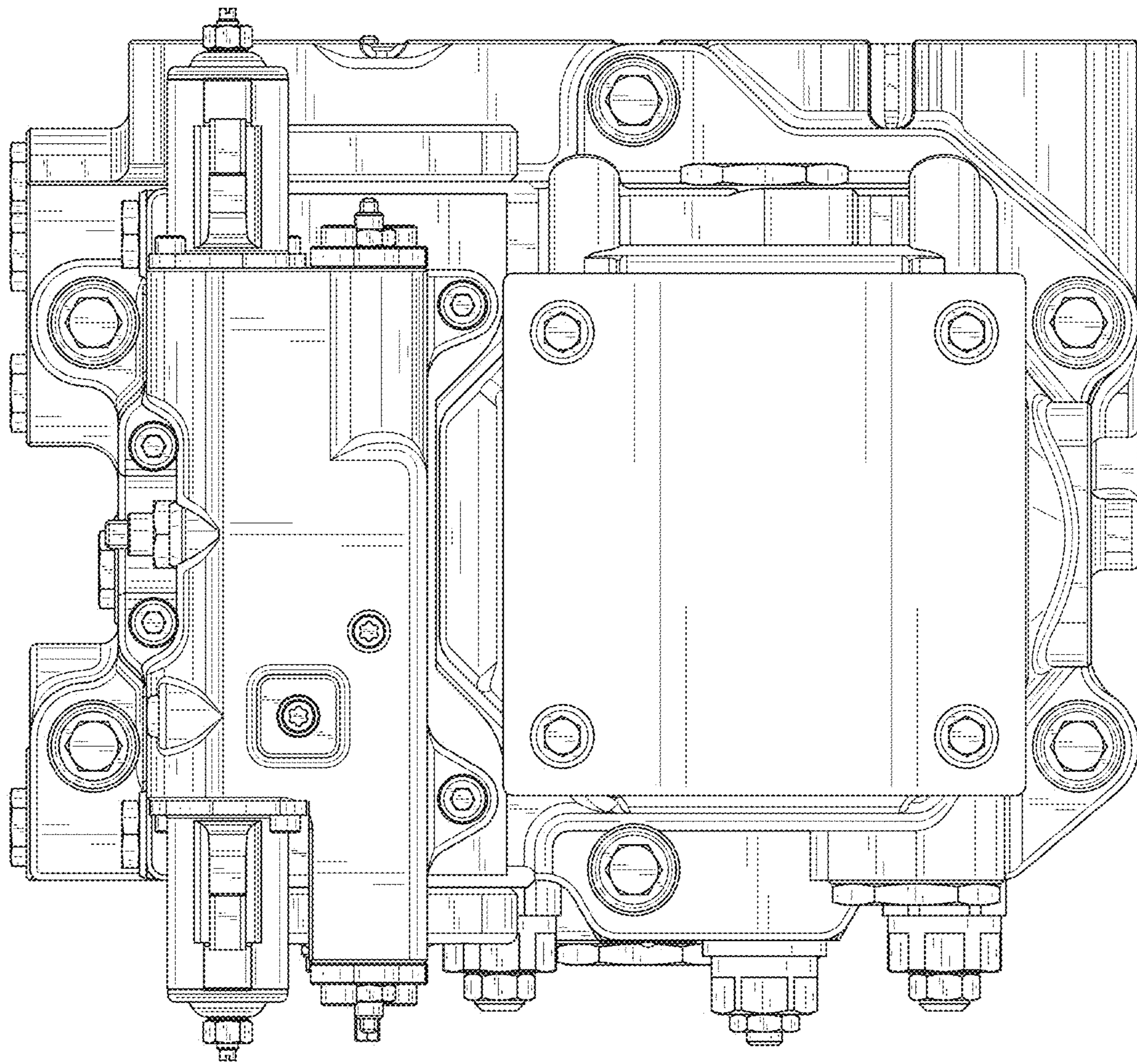


FIG. 8

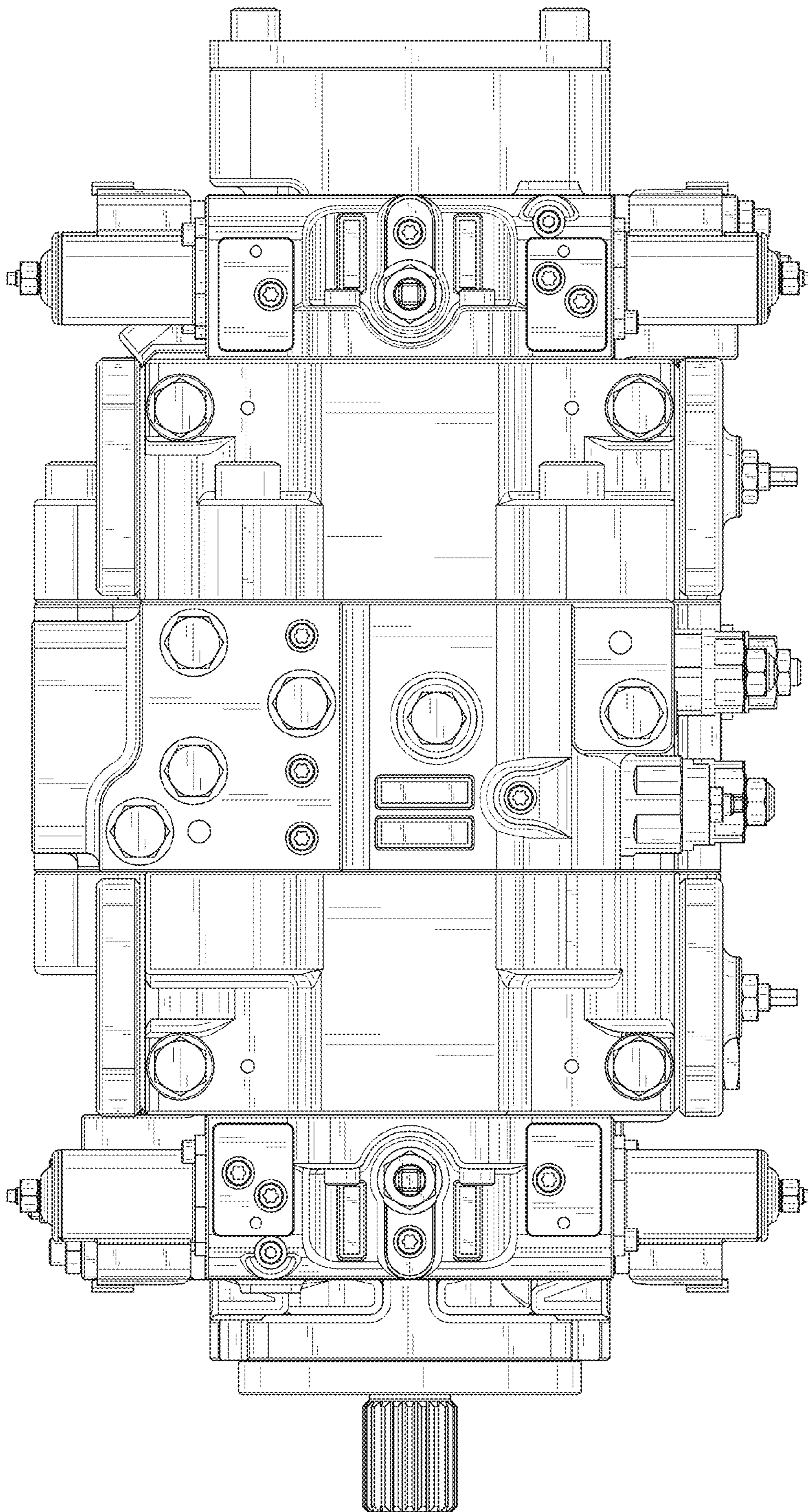


FIG. 9

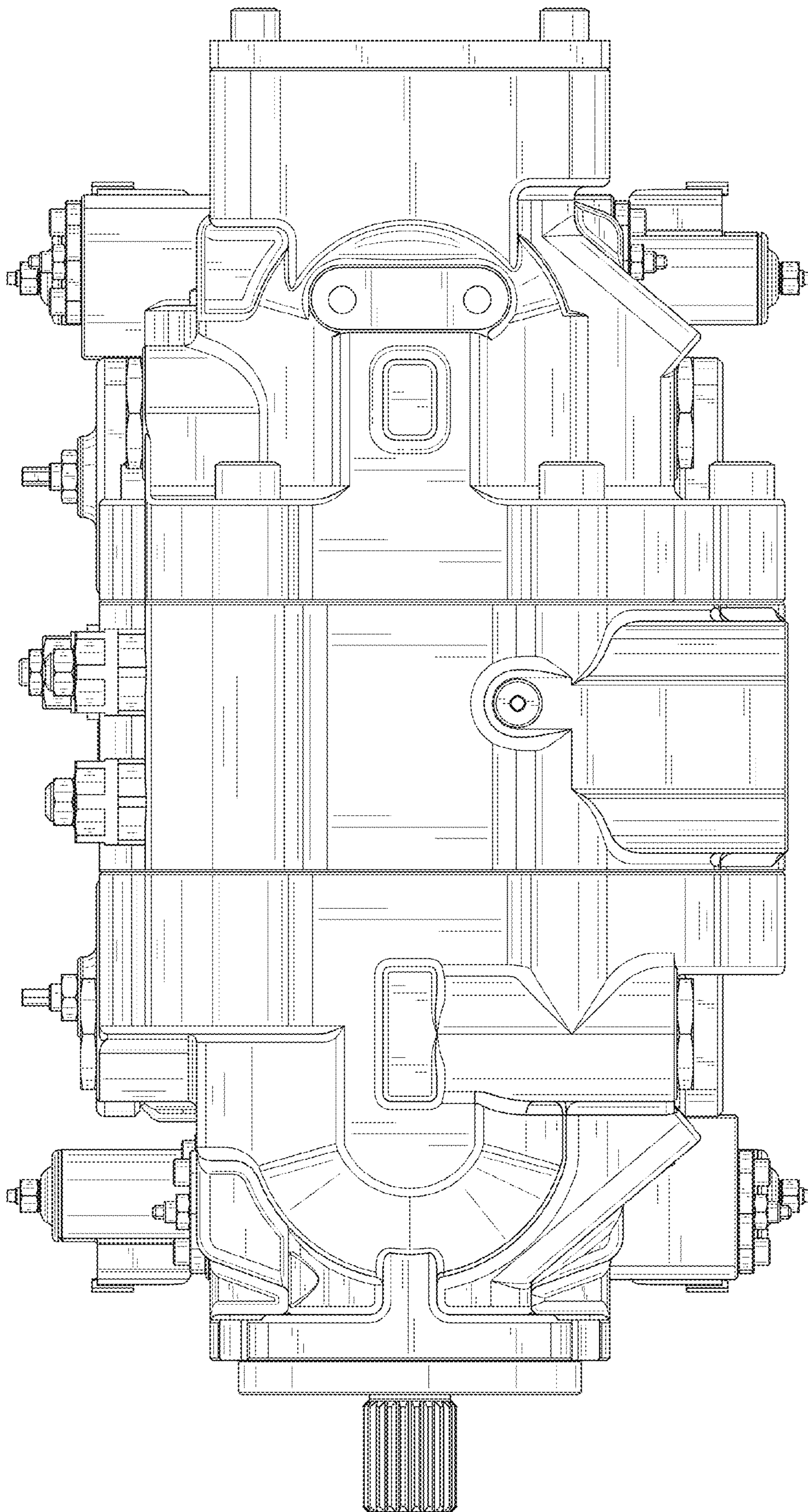


FIG. 10