



US00D943636S

(12) **United States Design Patent** (10) **Patent No.:** **US D943,636 S**  
**Beard et al.** (45) **Date of Patent:** **\*\* Feb. 15, 2022**

(54) **INFLATOR**

D415,500 S \* 10/1999 Poon ..... D15/7  
6,253,806 B1 7/2001 Sperry et al.  
D464,976 S \* 10/2002 Krieger ..... D15/9  
(Continued)

(71) Applicant: **Signode Industrial Group LLC**,  
Glenview, IL (US)

**FOREIGN PATENT DOCUMENTS**

(72) Inventors: **Anthony K. Beard**, Poyen, AR (US);  
**Joseph W. Gault**, Sheridan, AR (US)

AU 748188 B2 5/2002

(73) Assignee: **Signode Industrial Group LLC**,  
Tampa, FL (US)

**OTHER PUBLICATIONS**

(\*\*) Term: **15 Years**

Kobalt, 24V Cordless High Volume Inflator 24-Volt Lithium Ion (Li-Ion) Air Inflator , (site visited on Apr. 28, 2021), Lowe's website, URL:<<https://www.lowes.com/pd/Kobalt-24V-Cordless-High-Volume-Inflator-24-Volt-Lithium-Ion-Li-Ion-Air-Inflator-Power-Source-Battery/1001464244>> (Year: 2021).\*

(Continued)

(21) Appl. No.: **29/735,866**

(22) Filed: **May 26, 2020**

(51) **LOC (13) Cl.** ..... **15-02**

(52) **U.S. Cl.**  
USPC ..... **D15/7**

(58) **Field of Classification Search**  
USPC ..... D15/7-9; D24/108, 110, 111; D13/103,  
D13/107; D23/210, 225, 231, 232;  
D8/61, 68

CPC ..... B29C 73/00; F04B 17/03; F04B 49/00;  
F04B 53/00; F04B 35/06; F04B 33/005;  
F04B 17/06; E03B 5/00; B25B 21/00;  
B25B 21/02; B60S 5/04; B60S 5/046;  
F04D 25/0673

See application file for complete search history.

*Primary Examiner* — Sheryl Lane

*Assistant Examiner* — Mark T. Philipps

(74) *Attorney, Agent, or Firm* — Neal, Gerber &  
Eisenberg LLP

(57) **CLAIM**

The ornamental design for an inflator, as shown and described.

**DESCRIPTION**

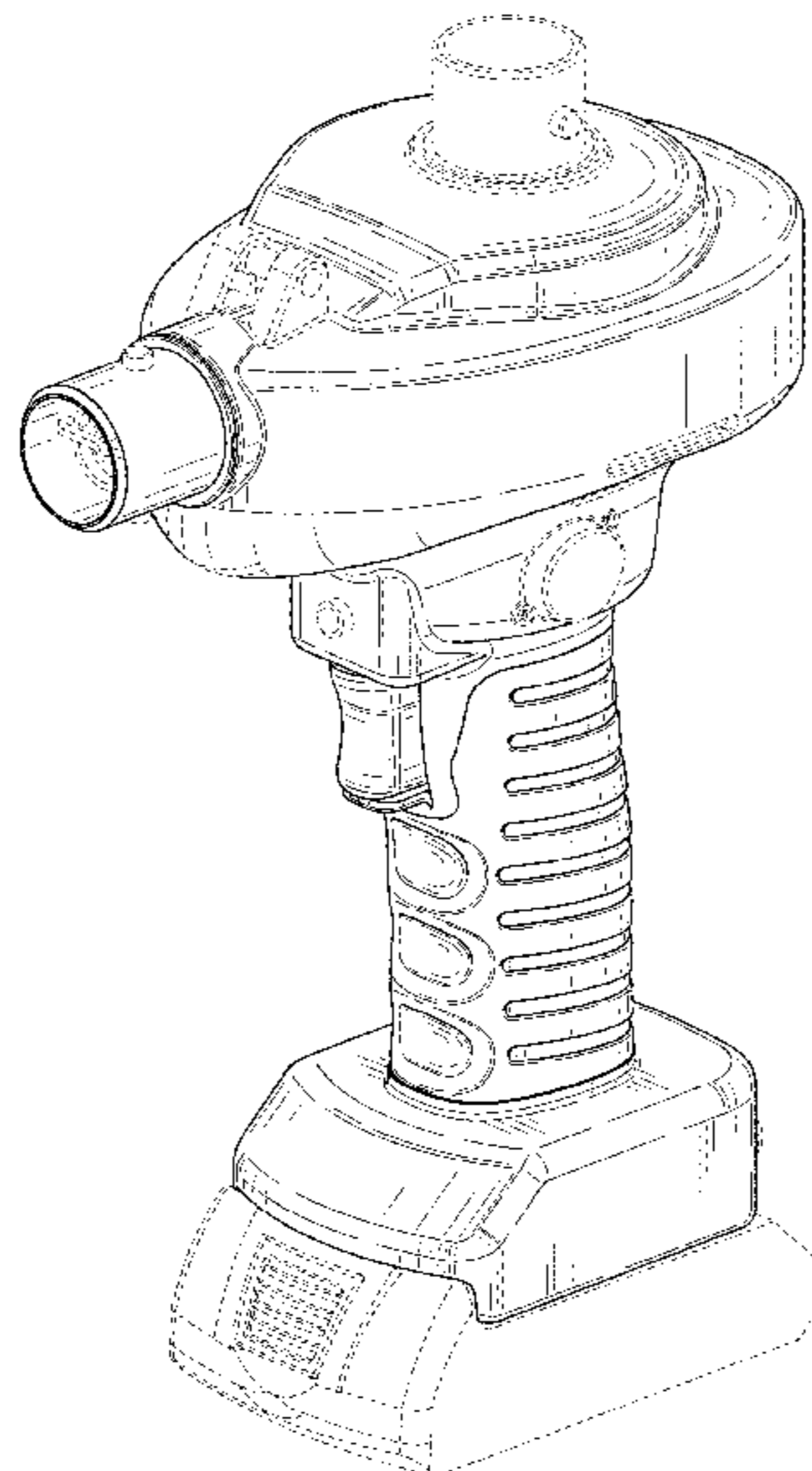
FIG. 1 is a perspective view of an inflator of our new design. FIG. 2 is a front elevational view of the inflator of FIG. 1. FIG. 3 is a back elevational view of the inflator of FIG. 1. FIG. 4 is a right-side elevational view of the inflator of FIG. 1. FIG. 5 is a left-side elevational view of the inflator of FIG. 1. FIG. 6 is a top plan view of the inflator of FIG. 1; and, FIG. 7 is a bottom plan view of the inflator of FIG. 1. The broken lines in the drawings depict portions of the inflator that form no part of the claimed design.

(56) **References Cited**

U.S. PATENT DOCUMENTS

4,102,364 A 7/1978 Leslie et al.  
4,146,069 A 3/1979 Angarola et al.  
4,146,070 A 3/1979 Angarola et al.  
4,872,492 A 10/1989 Mcanally et al.  
5,454,407 A 10/1995 Huza et al.  
5,566,728 A 10/1996 Lange  
5,806,572 A 9/1998 Voller  
5,829,492 A 11/1998 Gavronsky et al.  
5,862,843 A 1/1999 Corbitt

**1 Claim, 7 Drawing Sheets**



(56)

**References Cited**

U.S. PATENT DOCUMENTS

6,530,751 B1 3/2003 Song et al.  
 6,561,236 B1 5/2003 Sperry et al.  
 6,676,042 B2 1/2004 Howlett et al.  
 D486,159 S \* 2/2004 Poon ..... D15/7  
 D487,899 S \* 3/2004 Poon ..... D15/7  
 6,729,110 B2 5/2004 Sperry et al.  
 6,793,469 B2 9/2004 Chung  
 7,063,514 B1 6/2006 Wu  
 7,073,545 B2 7/2006 Smith et al.  
 7,127,762 B1 10/2006 Lau  
 7,320,347 B2 1/2008 Ramsey et al.  
 7,455,086 B1 11/2008 Elze et al.  
 7,571,500 B2 8/2009 Wu  
 7,588,425 B2 9/2009 Chung  
 7,610,929 B2 11/2009 Zielinski et al.  
 7,644,739 B1 1/2010 Vezzosi et al.  
 7,793,687 B2 9/2010 Smith et al.  
 7,913,724 B2 3/2011 Pansegrouw  
 7,980,799 B1 7/2011 Rioux et al.  
 D726,771 S 4/2015 Pansegrouw et al.  
 D764,551 S 8/2016 Fowler et al.

D805,109 S \* 12/2017 Exley ..... D15/7  
 D817,364 S \* 5/2018 He ..... D15/7  
 9,969,315 B2 5/2018 Beard et al.  
 D904,461 S \* 12/2020 Konantambigi ..... D15/7  
 2012/0114505 A1 5/2012 Pansegrouw et al.  
 2013/0139601 A1 6/2013 Tschantz et al.  
 2015/0034196 A1 2/2015 Petrucci et al.  
 2018/0187687 A1\* 7/2018 Yakubova ..... F04B 39/121

OTHER PUBLICATIONS

Ryobi 18-Volt ONE+ Lithium-Ion Cordless High Volume Power Inflator Kit with 1.3 Ah Battery and 18-Volt Charger, available before Apr. 10, 2019 at [https://www.homedepot.com/p/RYOBI-18-Volt-ONE-Lithium-Ion-Cordless-High-Volume-Power-Inflator-Kit-with-1-3-Ah-Battery-and-18-Volt-Charger-P738KN/305986956?MERCH=REC-\\_-PIPHorizontal2\\_rr\\_-308692506\\_-305986956\\_-\\_-N](https://www.homedepot.com/p/RYOBI-18-Volt-ONE-Lithium-Ion-Cordless-High-Volume-Power-Inflator-Kit-with-1-3-Ah-Battery-and-18-Volt-Charger-P738KN/305986956?MERCH=REC-_-PIPHorizontal2_rr_-308692506_-305986956_-_-N).  
 “SuperFlow Inflation System”, Shippers Products, Sheridan, AR, available before Aug. 1, 2018 (2 pages).

\* cited by examiner

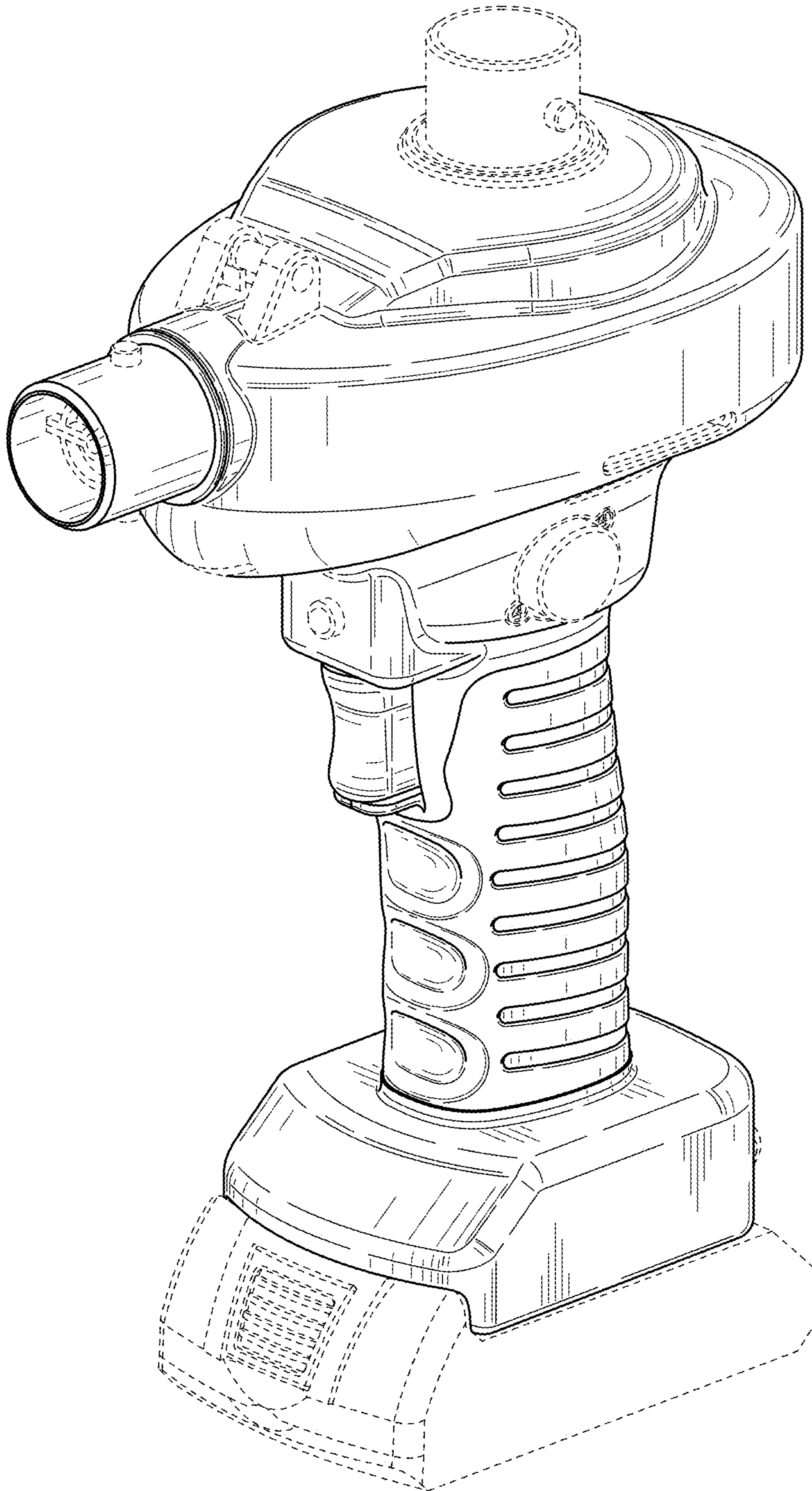


FIG. 1

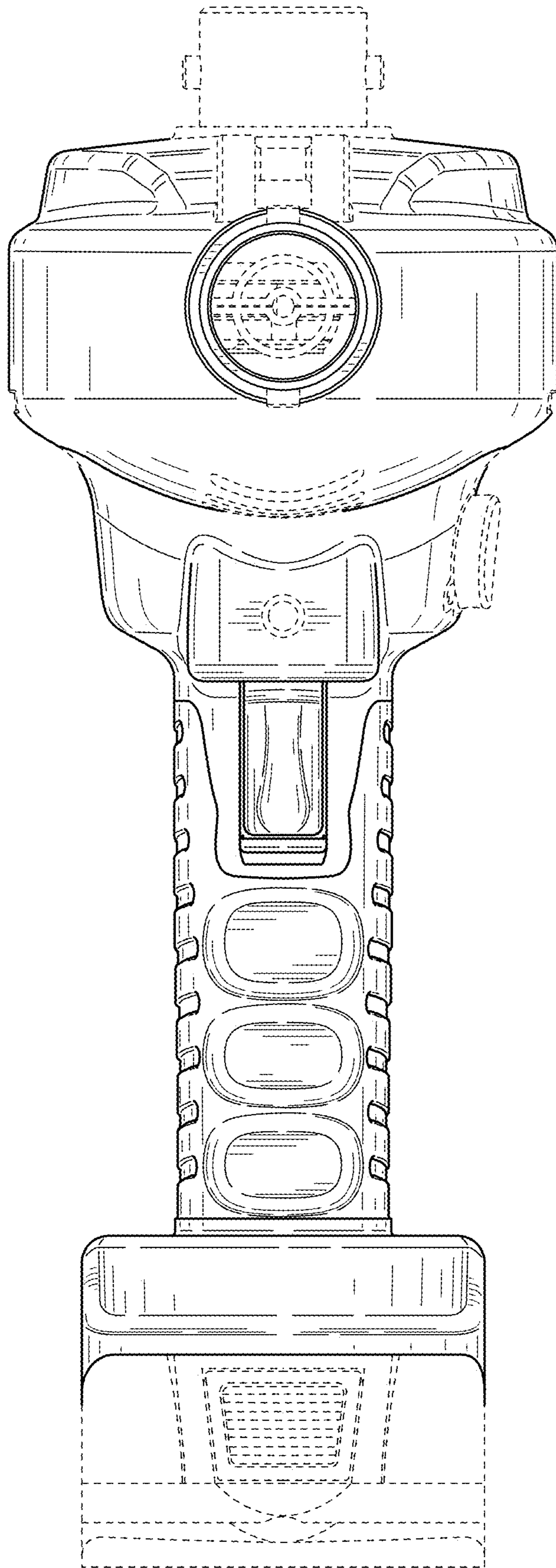


FIG. 2

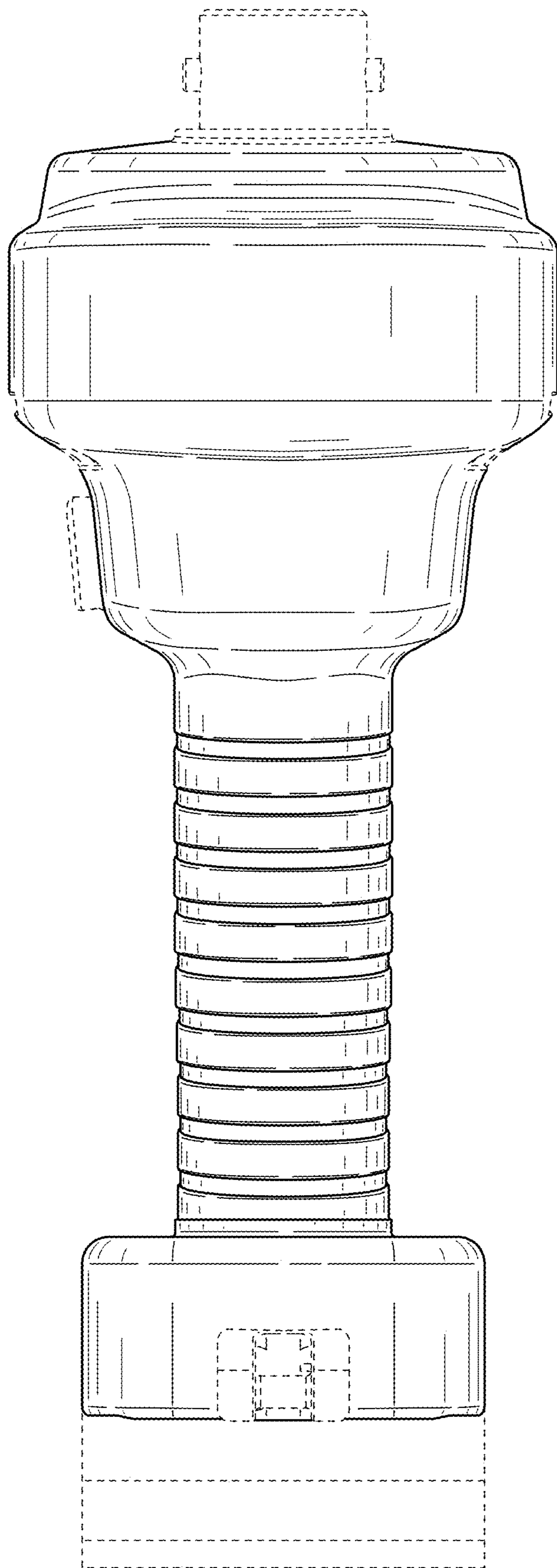


FIG. 3

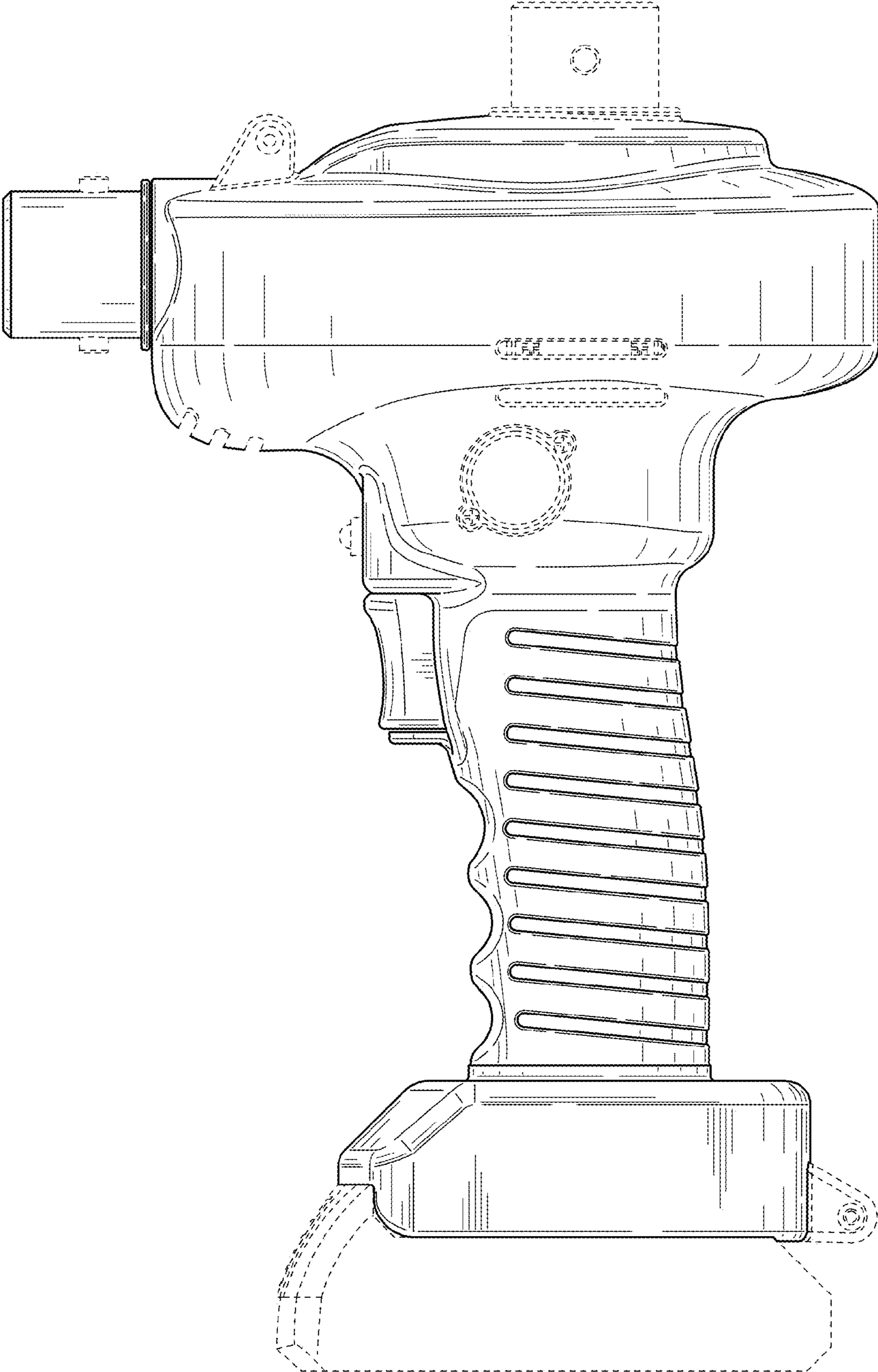


FIG. 4

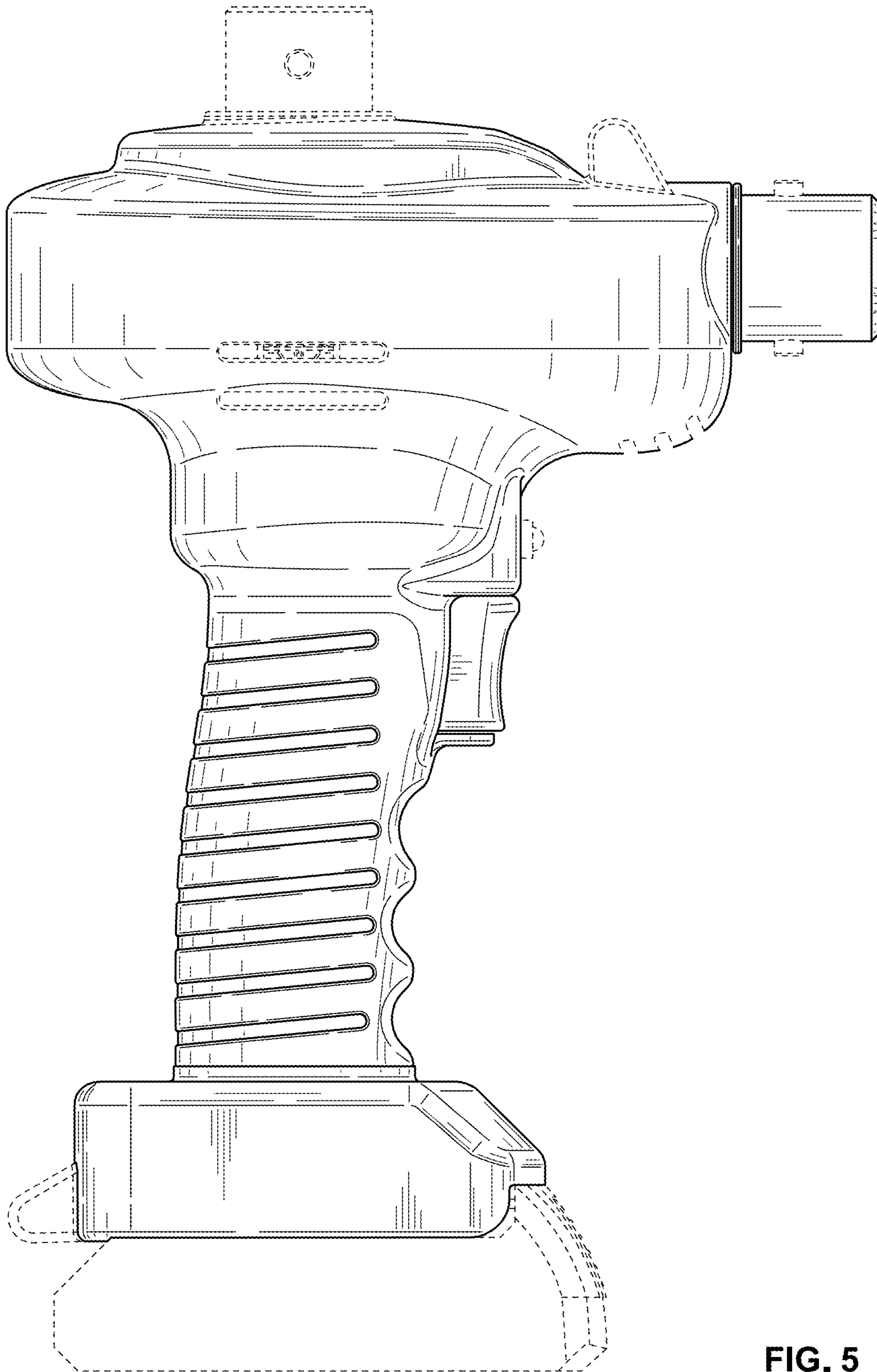


FIG. 5

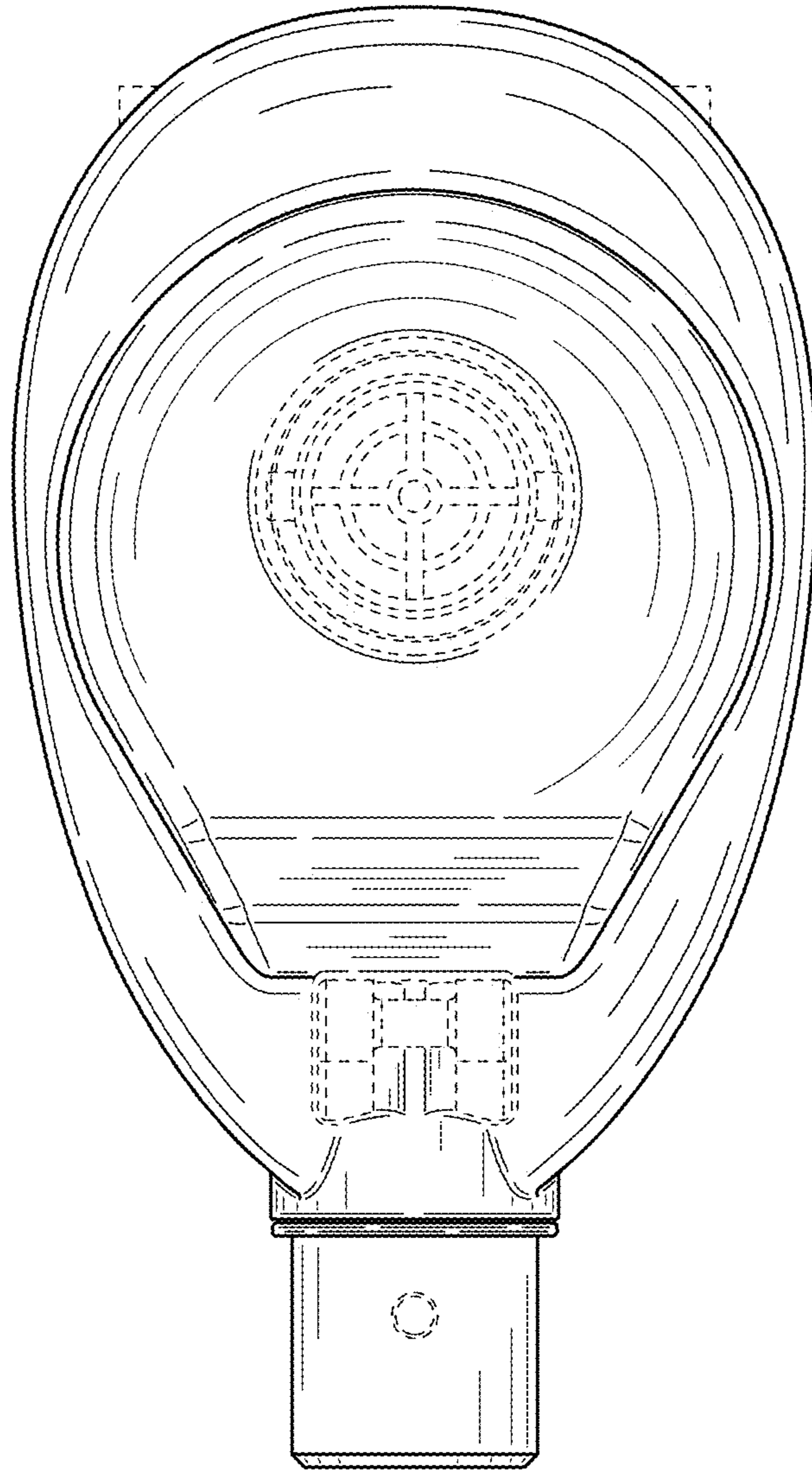


FIG. 6



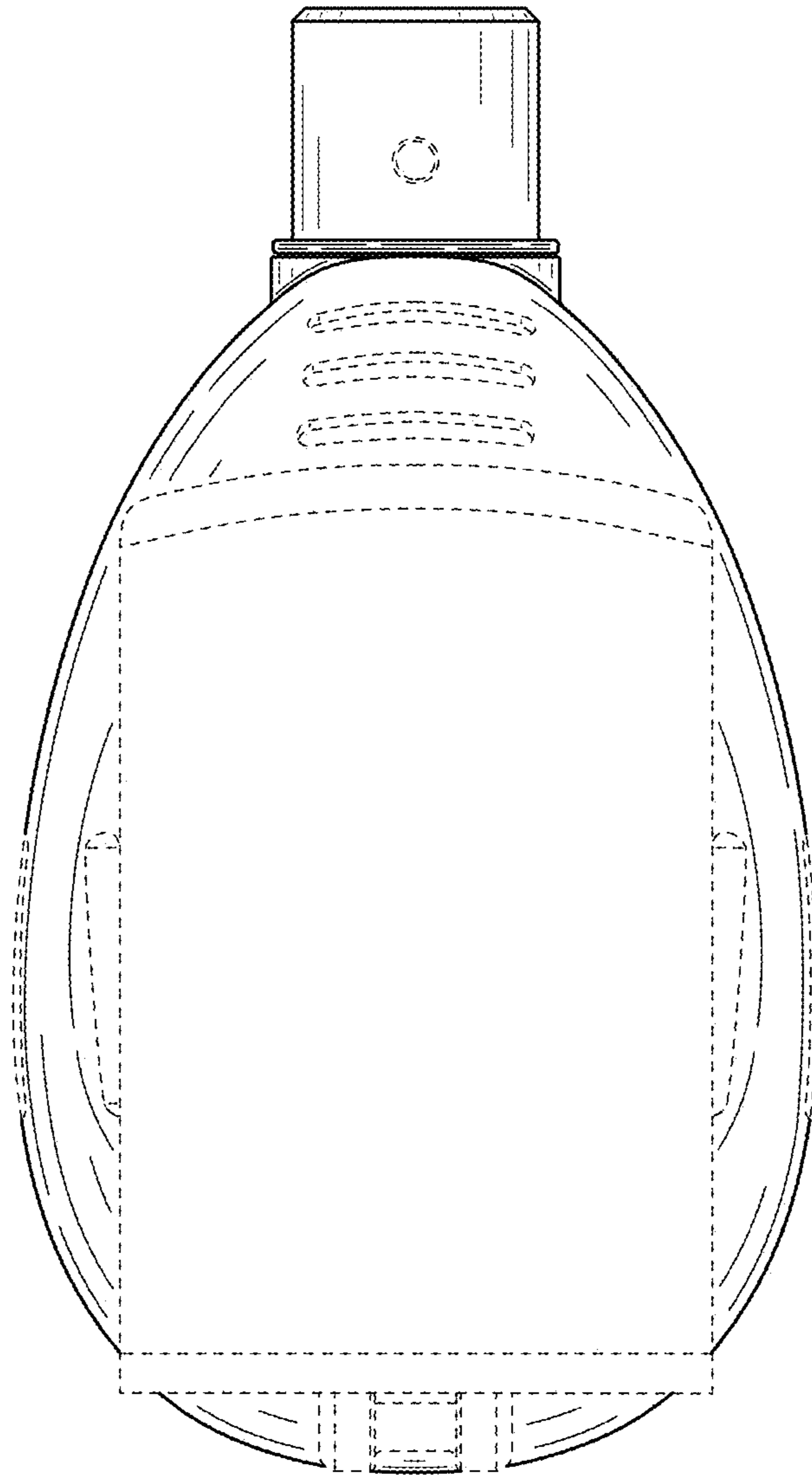


FIG. 7