



US00D943635S

(12) **United States Design Patent**
Bink et al.

(10) **Patent No.:** **US D943,635 S**
(45) **Date of Patent:** **** Feb. 15, 2022**

(54) **AIR CLEANER COVER AND ENGINE
INCORPORATING THE SAME**

(71) Applicant: **Kohler Co.**, Kohler, WI (US)

(72) Inventors: **Benjamin J. Bink**, St. Cloud, WI (US);
Shankar Mathur Seetharaman,
Sheboygan, WI (US); **Alexander A.
Yosick**, Howards Grove, WI (US);
Steven M. Stenz, Plymouth, WI (US);
Bruce M. Lefeber, Plymouth, WI (US)

(73) Assignee: **Kohler Co.**

(**) Term: **15 Years**

(21) Appl. No.: **29/737,704**

(22) Filed: **Jun. 11, 2020**

Related U.S. Application Data

(62) Division of application No. 29/621,368, filed on Oct.
6, 2017, now Pat. No. Des. 890,900.

(51) **LOC (13) Cl.** **15-01**

(52) **U.S. Cl.**
USPC **D15/5**

(58) **Field of Classification Search**
USPC D12/107, 114, 115, 117, 126, 179, 182,
D12/223; D15/1-9, 9.1, 9.2; D23/364,
D23/365
CPC F02M 35/02; F02M 35/024; F02C 7/052
See application file for complete search history.

(56) **References Cited**

U.S. PATENT DOCUMENTS

5,307,771 A 5/1994 Stahel, II et al.
D422,537 S * 4/2000 Pink D12/126
D517,672 S 3/2006 Schmitt et al.
D529,514 S 10/2006 Maeda et al.
D529,925 S 10/2006 Strandell et al.

D540,819 S 4/2007 Schmitt et al.
D540,928 S 4/2007 Matel et al.
D540,929 S 4/2007 Kowis et al.
D541,303 S 4/2007 Drew et al.
D560,275 S 1/2008 Glass et al.
D600,252 S 9/2009 Yan et al.
D600,599 S * 9/2009 Watanabe D12/126
D679,289 S 4/2013 Tiefenthaler
D701,886 S * 4/2014 Maeda D15/5
D708,987 S * 7/2014 Nash D12/114
D733,186 S * 6/2015 Bink D15/5
D735,767 S 8/2015 Andren et al.
D735,768 S 8/2015 Andren et al.

(Continued)

Primary Examiner — Michael C Stout

Assistant Examiner — Fritzgerald L Butac

(74) *Attorney, Agent, or Firm* — The Belles Group, P.C.

(57) **CLAIM**

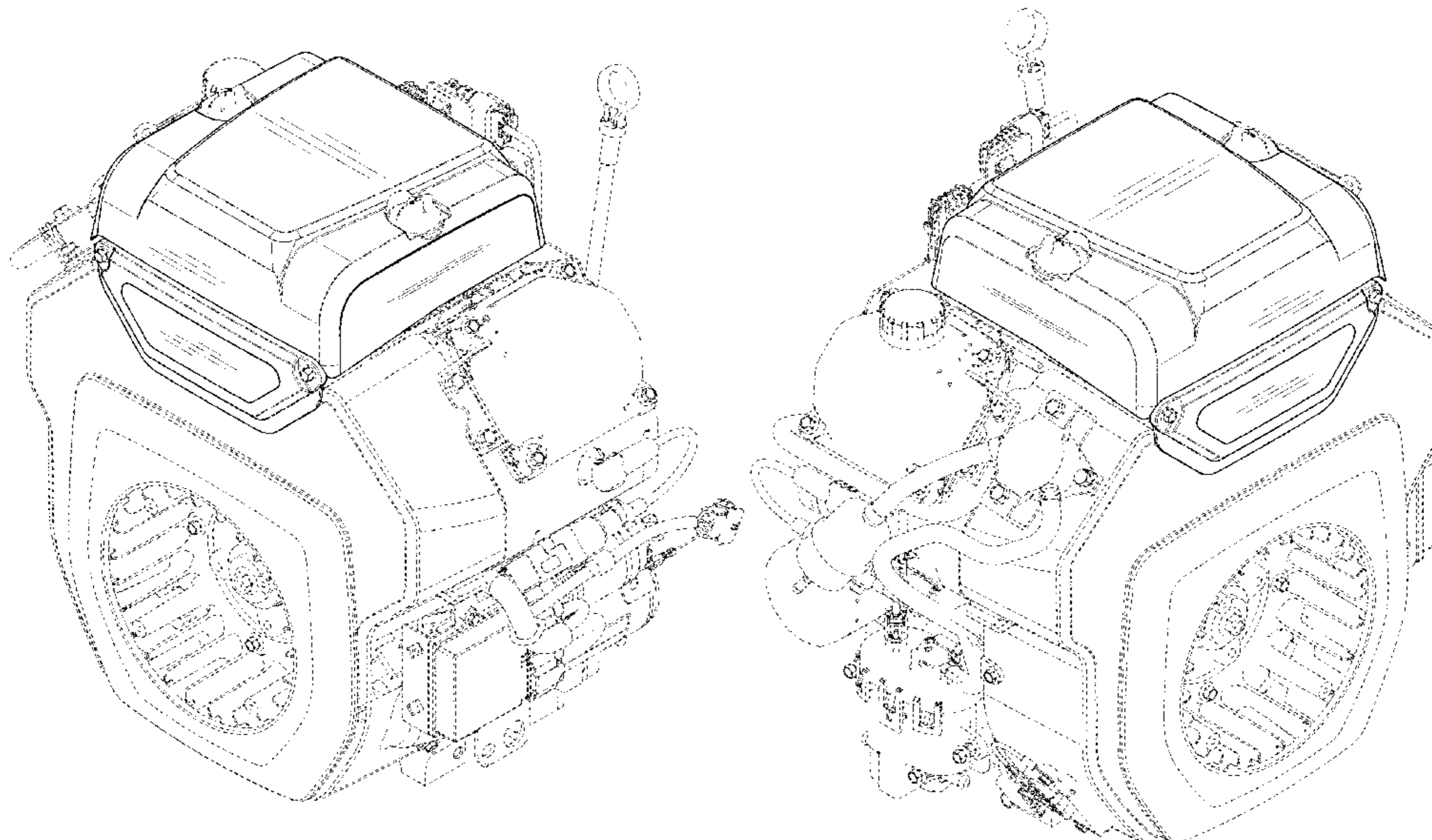
The ornamental design for an air cleaner cover and engine incorporating the same, as shown and described.

DESCRIPTION

FIG. 1 is a front-right perspective view of an engine according to the new design;
FIG. 2 is a front-left perspective view thereof;
FIG. 3 is a rear-left perspective view thereof;
FIG. 4 is a rear-right perspective view thereof;
FIG. 5 is a front elevation view thereof;
FIG. 6 is a rear elevation view thereof;
FIG. 7 is a right-side elevation view thereof;
FIG. 8 is a left-side elevation view thereof;
FIG. 9 is a top plan view thereof; and,
FIG. 10 is a bottom plan view thereof.

The broken lines show portions of an air cleaner cover and engine incorporating the same which form no part of the claimed design. The broken lines are also for the purpose of showing environmental structure, and form no part of the claimed design.

1 Claim, 10 Drawing Sheets



(56)

References Cited

U.S. PATENT DOCUMENTS

D742,923	S	11/2015	Andren et al.	
D742,924	S	11/2015	Andren et al.	
D753,727	S *	4/2016	Bink	D15/5
D795,298	S *	8/2017	Hanna	D15/5
D800,784	S	10/2017	Collins	
D863,361	S *	10/2019	VerSchave	D15/5
D888,767	S *	6/2020	Cenan	D15/5
D890,900	S *	7/2020	Bink	D23/364
D898,772	S *	10/2020	McGinley	D15/5
D911,391	S *	2/2021	Wegner	D15/5
D912,094	S *	3/2021	Wegner	D15/5
D918,267	S *	5/2021	Salvini	D15/5

* cited by examiner

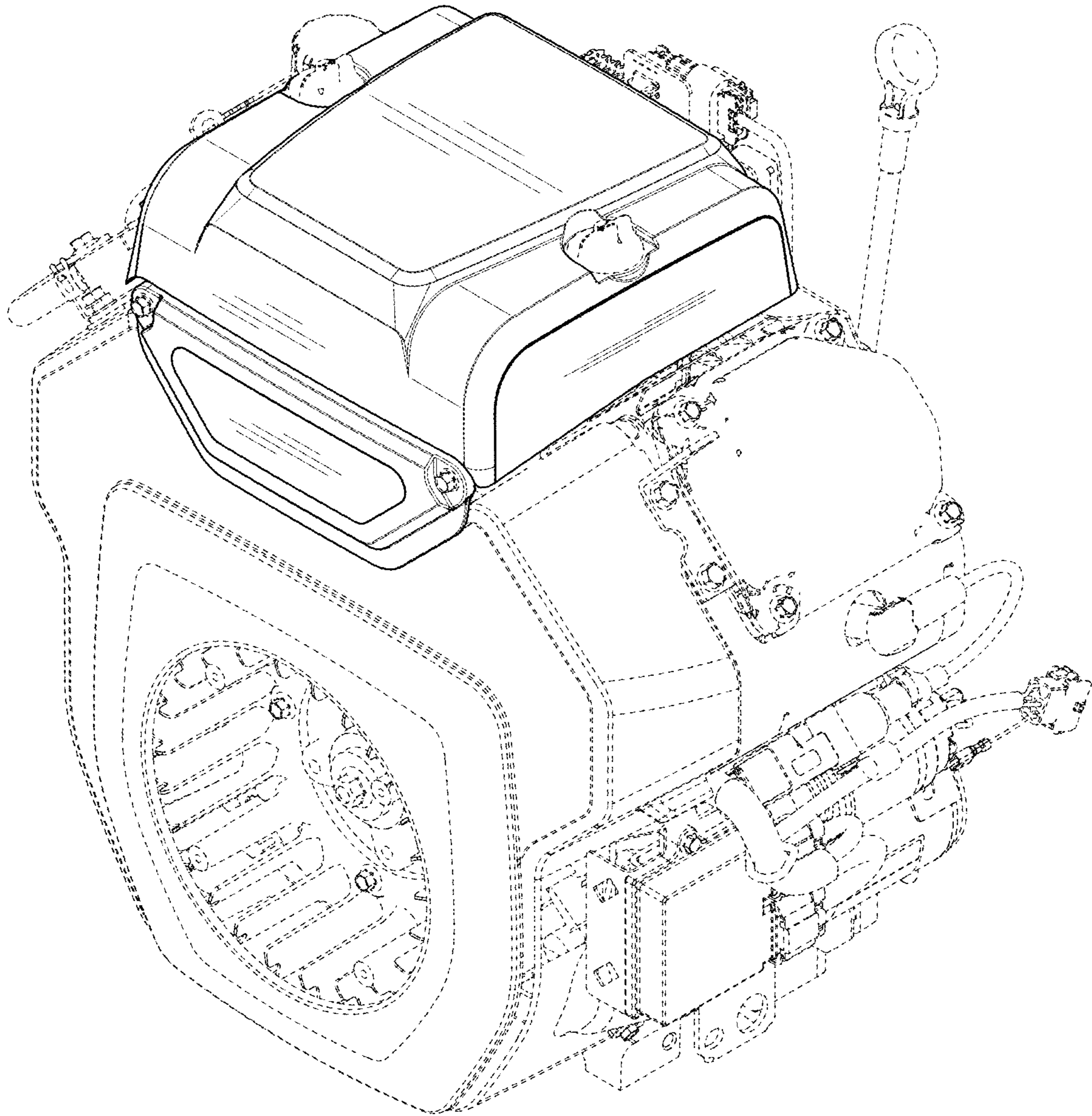


FIG. 1

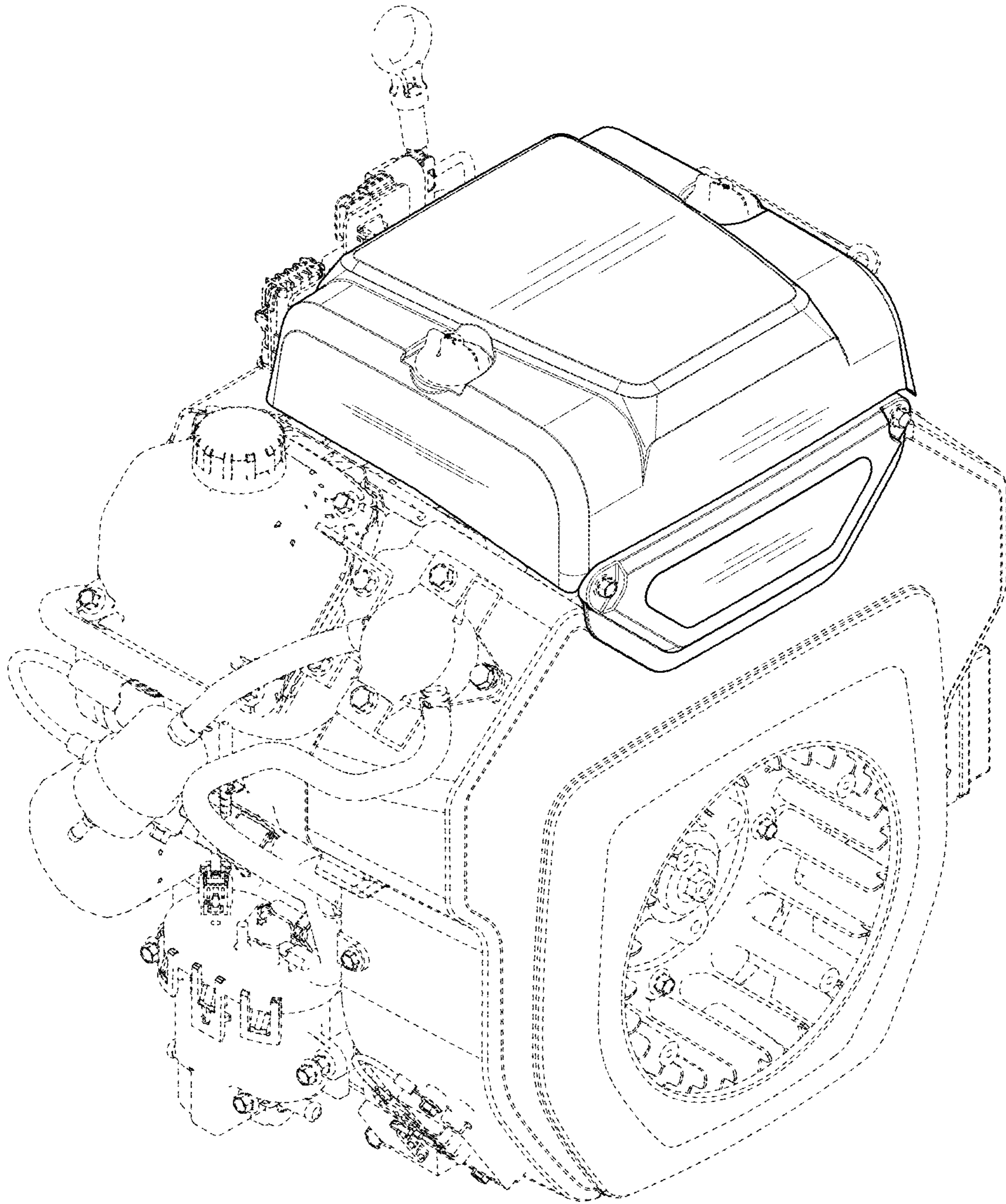


FIG. 2

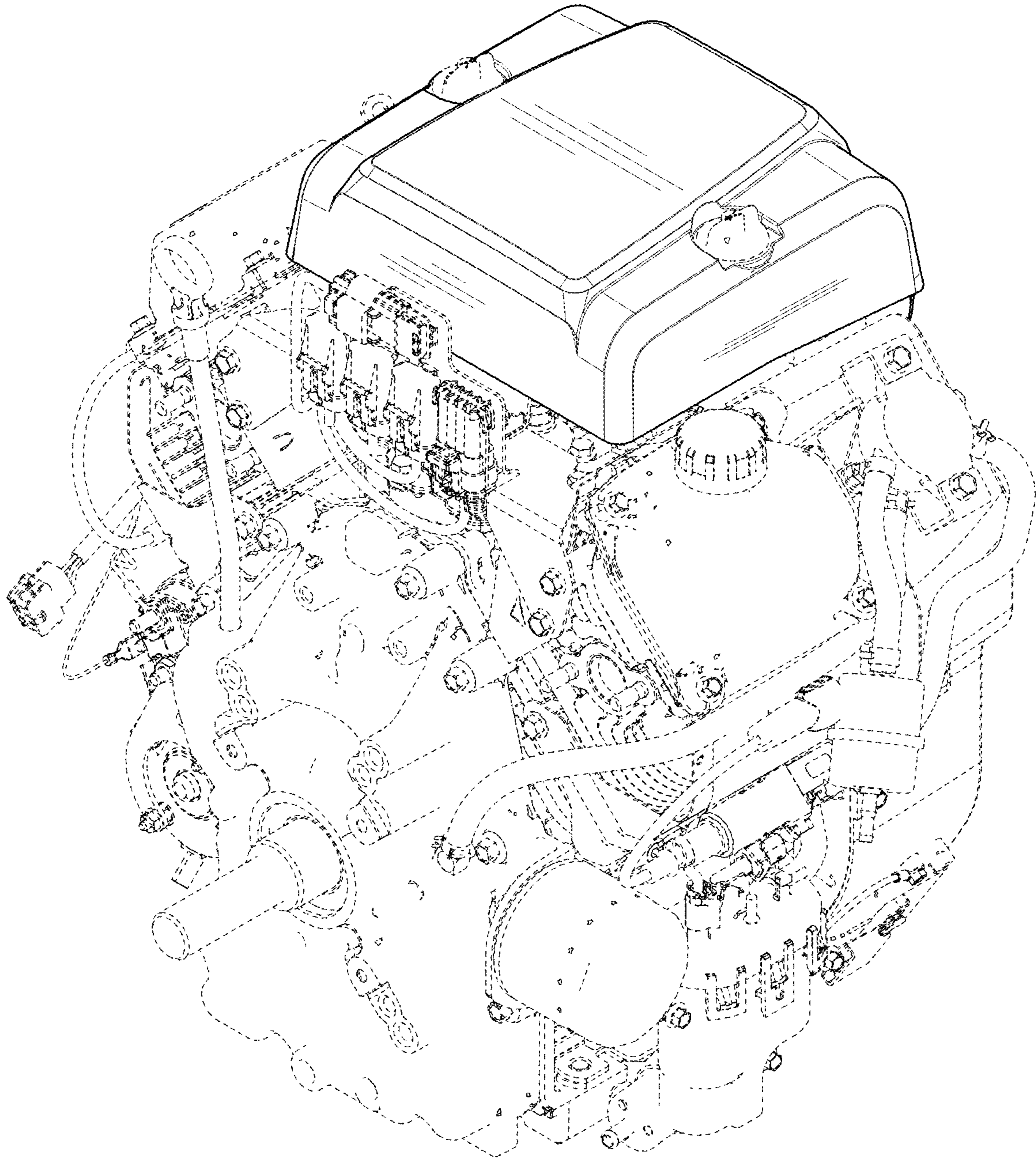


FIG. 3

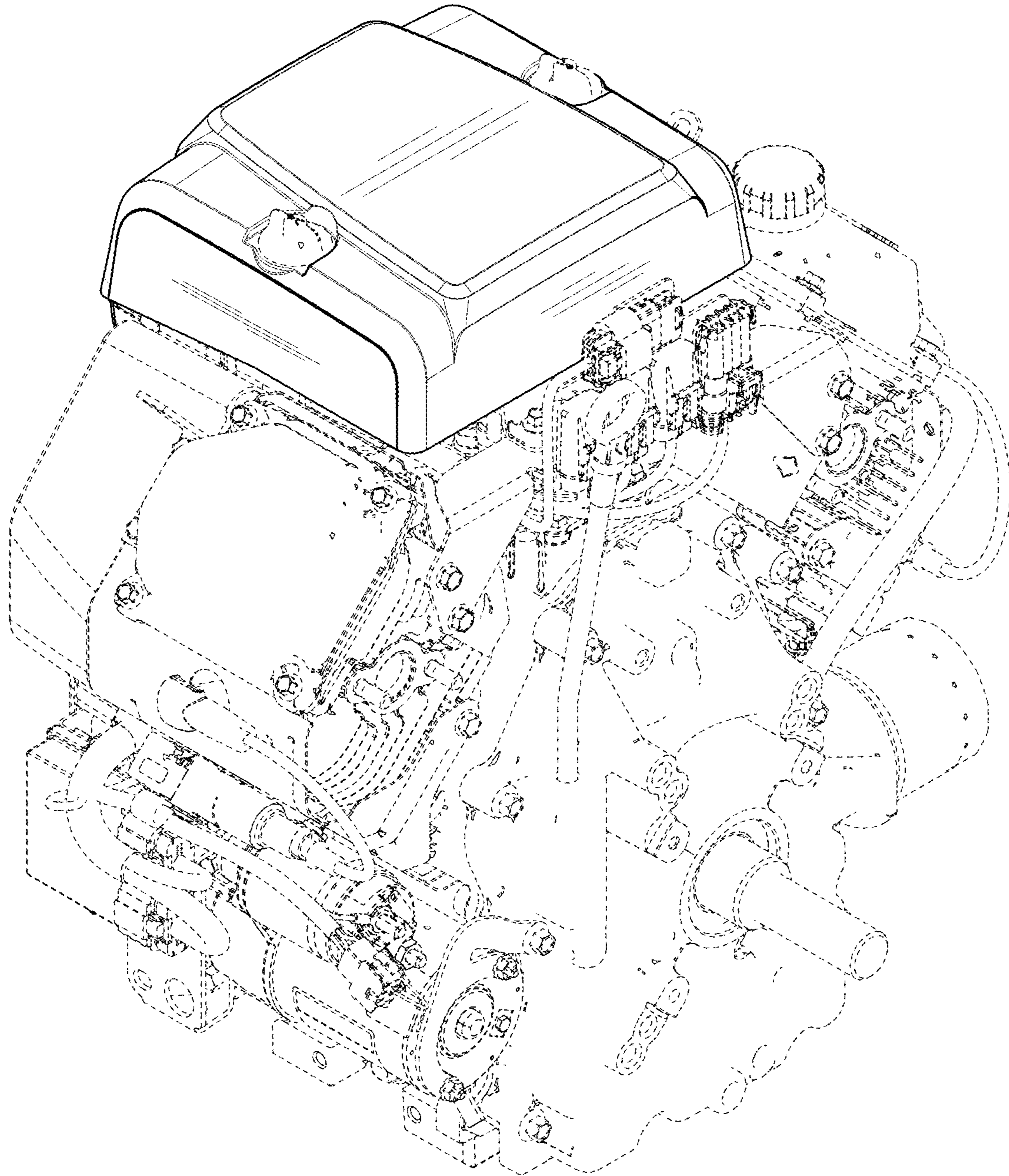


FIG. 4

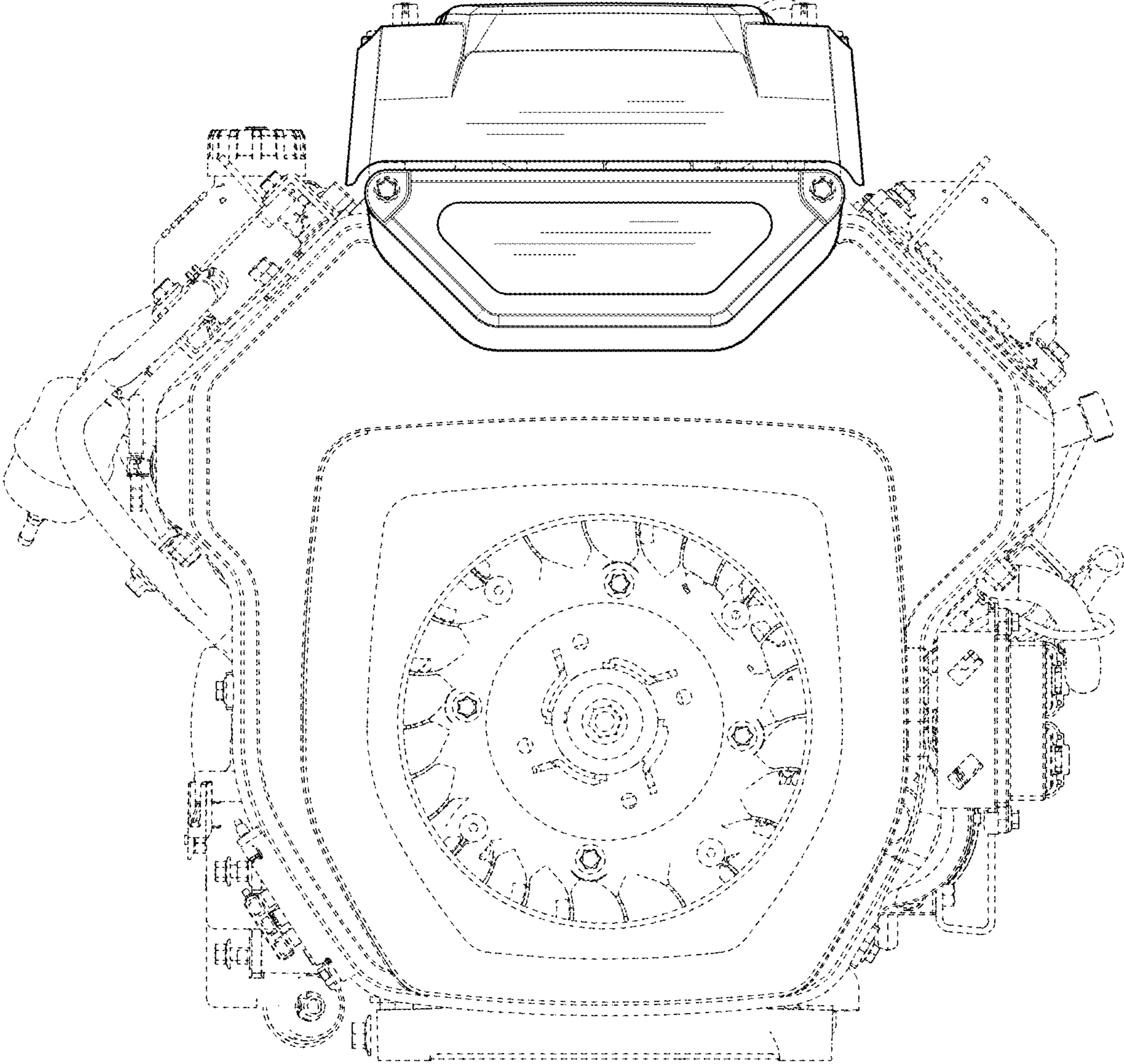


FIG. 5

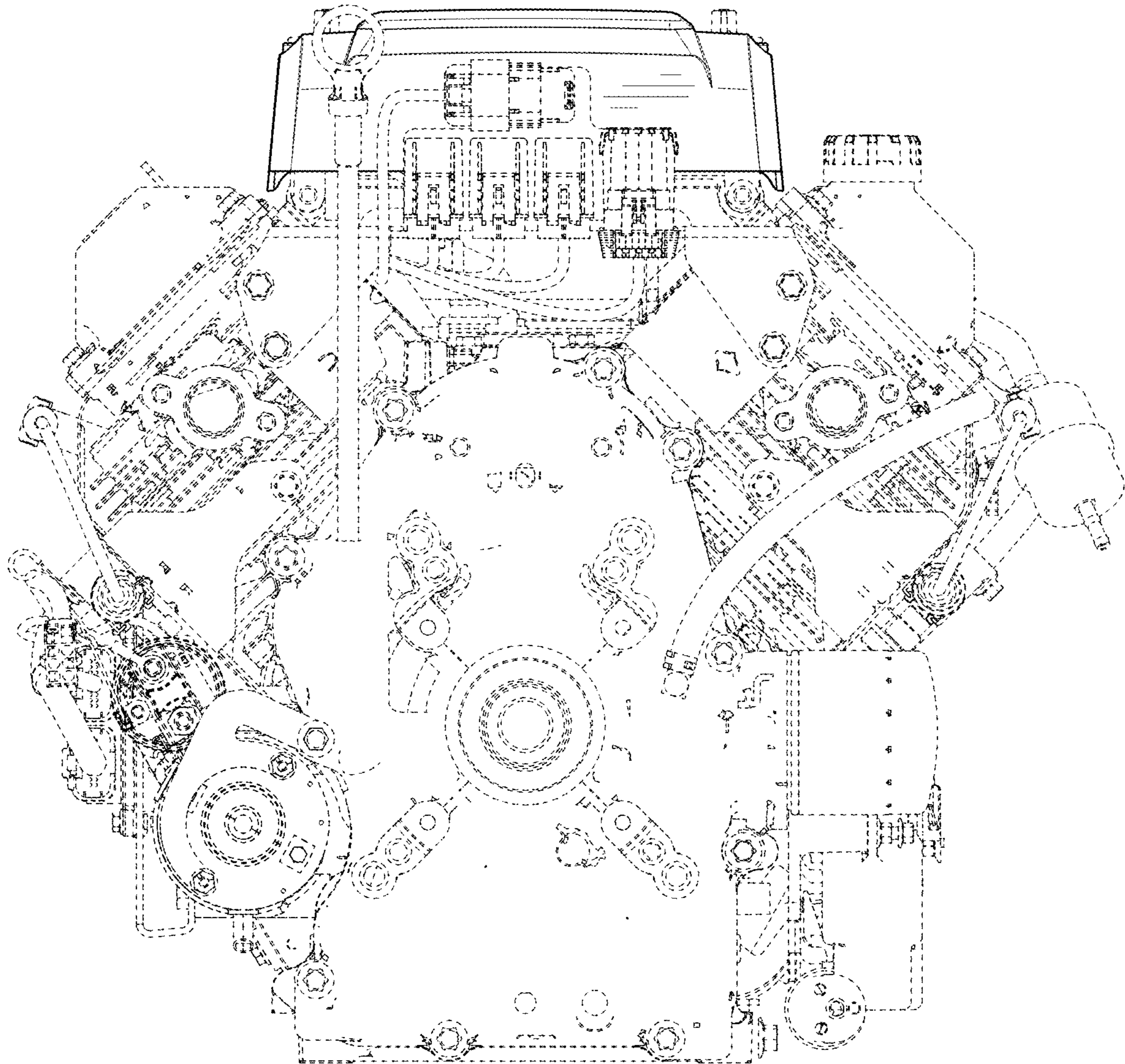


FIG. 6

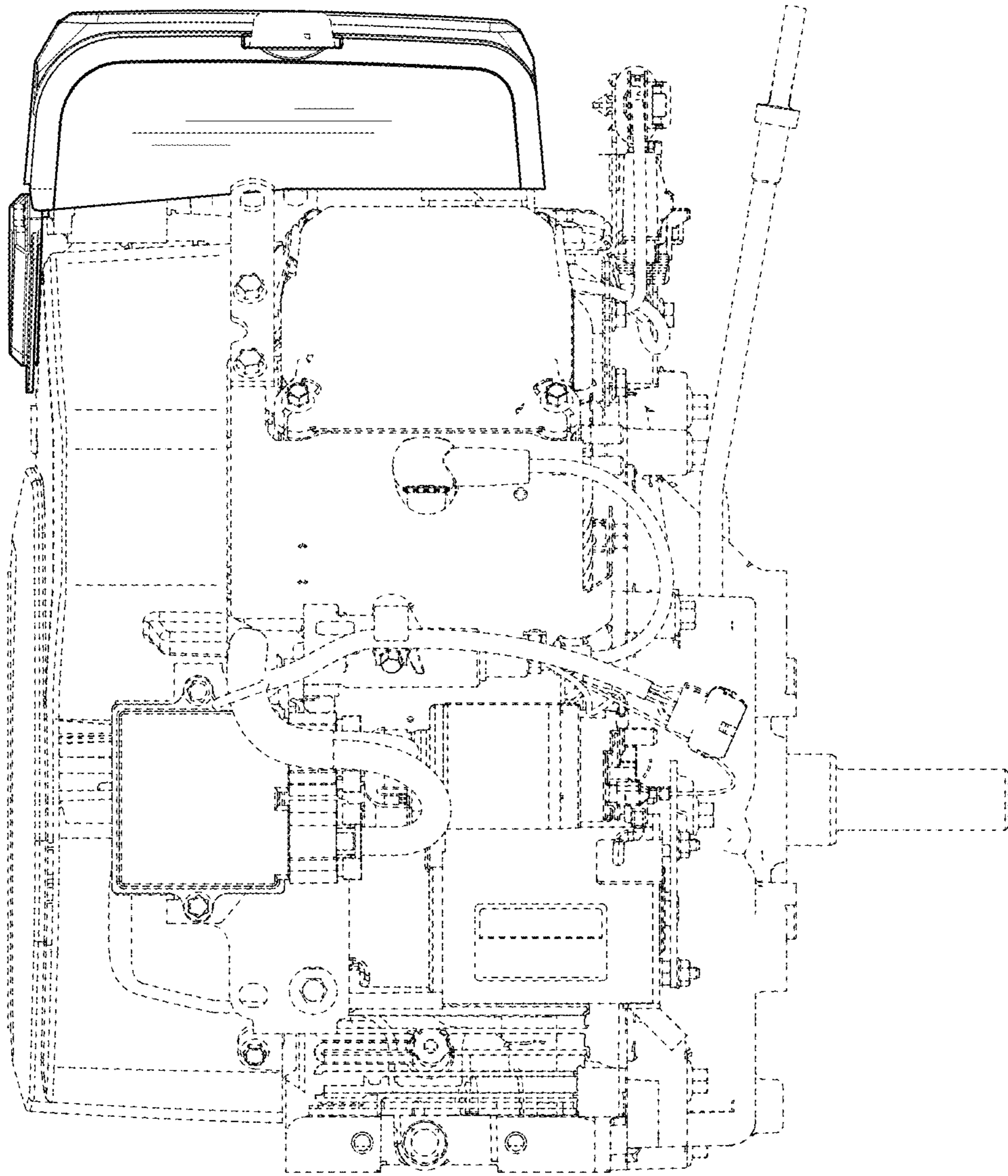


FIG. 7

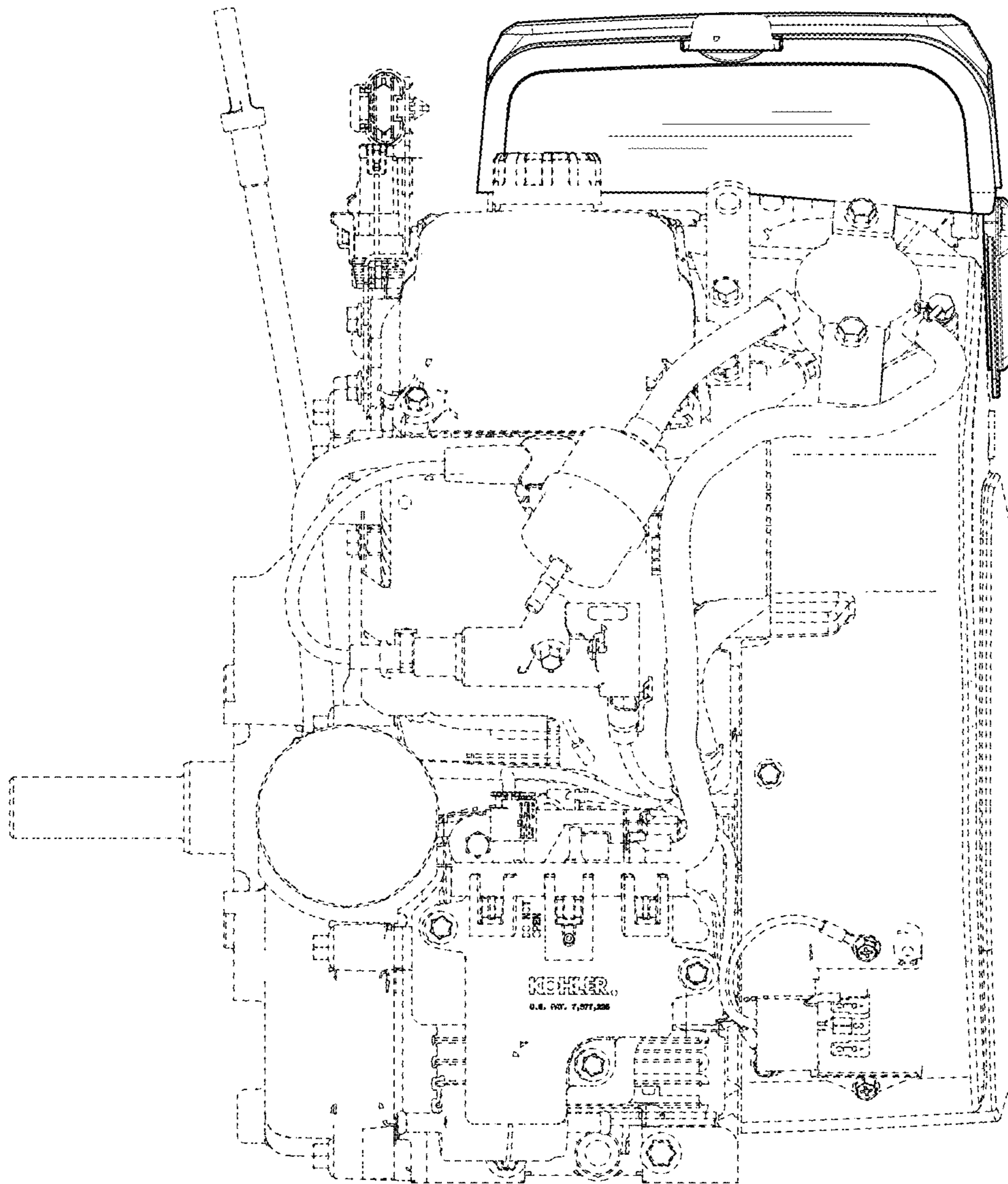


FIG. 8

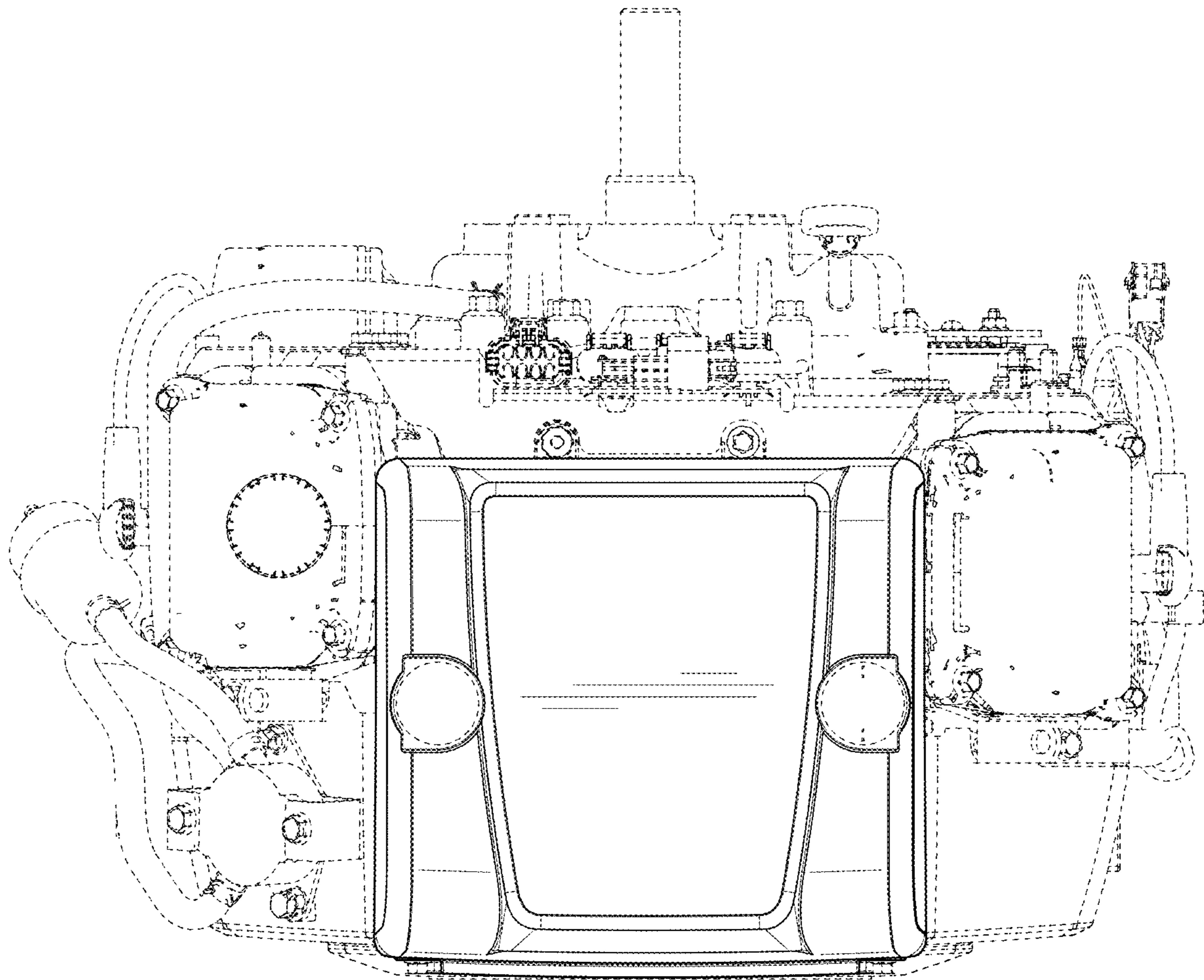


FIG. 9

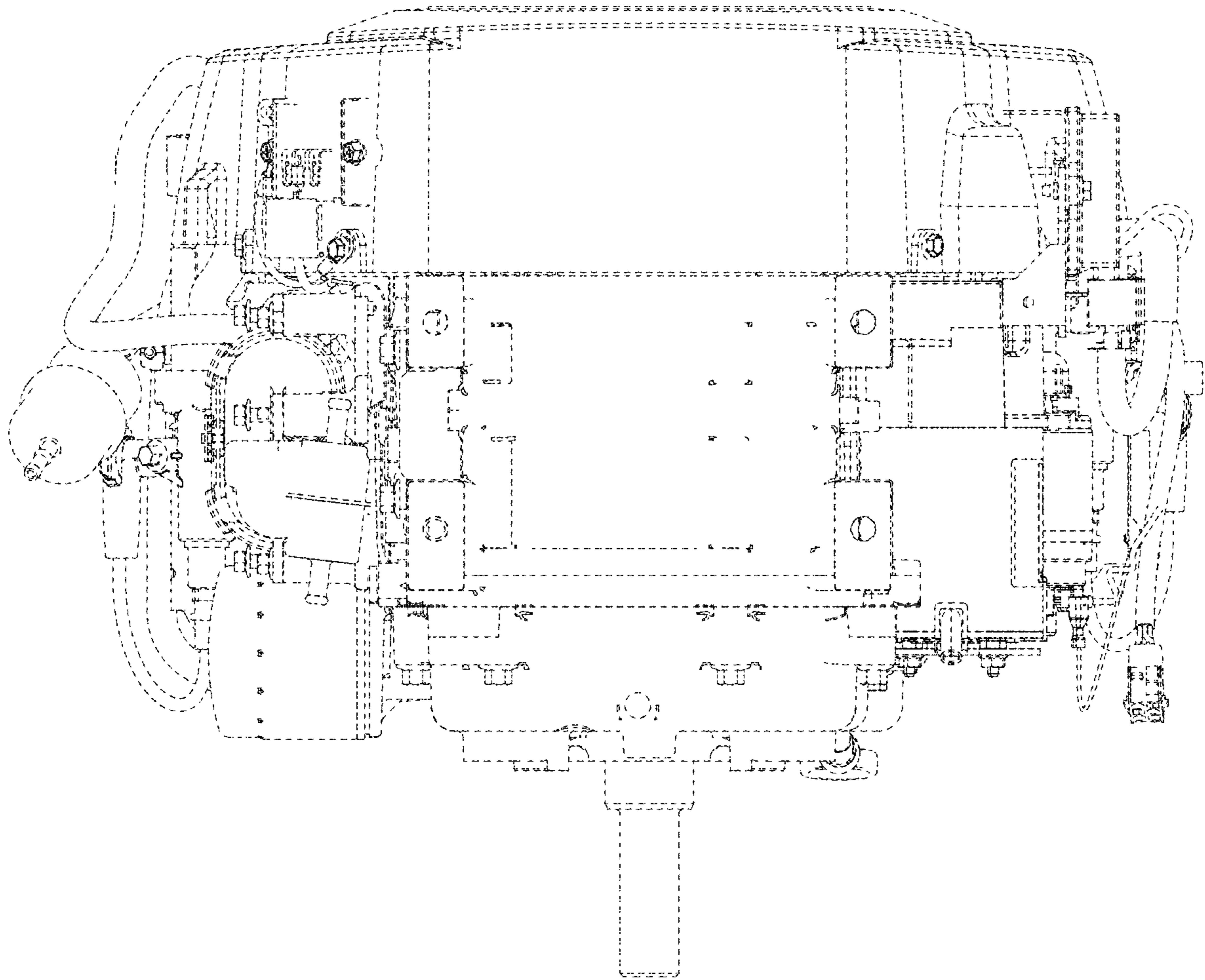


FIG. 10