



US00D943634S

(12) **United States Design Patent** (10) **Patent No.:** **US D943,634 S**
Bennett et al. (45) **Date of Patent:** **** Feb. 15, 2022**

(54) **SNORKEL SYSTEM**
(71) Applicant: **OMIX-ADA, INC.**, Ann Arbor, MI (US)
(72) Inventors: **Patrick W. Bennett**, Gainesville, GA (US); **Eric Lance Russell**, Lilburn, GA (US)
(73) Assignee: **OMIX-ADA, INC.**, Ann Arbor, MI (US)

D642,199 S 7/2011 Luxon et al.
D648,745 S 11/2011 Luxon et al.
D670,743 S * 11/2012 Ewringmann D15/28
D687,071 S 7/2013 Bennett
D687,072 S 7/2013 Bennett
8,960,347 B2 2/2015 Bennett
9,234,484 B2 1/2016 Lewington et al.
D774,101 S 12/2016 Delgado
9,683,527 B2 6/2017 Tallman
(Continued)

(**) Term: **15 Years**

WO 2017/183268 A1 10/2017

(21) Appl. No.: **29/729,364**

OTHER PUBLICATIONS

(22) Filed: **Mar. 26, 2020**

Black Coated RAM Air Snorkel Intake System Kit for 07-11 JK Jeep Wrangler 3.8 V6, ebay.com, last accessed Oct. 22, 2018.

(51) **LOC (13) Cl.** **15-01**

(Continued)

(52) **U.S. Cl.**

USPC **D15/5**

(58) **Field of Classification Search**

USPC D15/1-5

CPC B60K 13/02; F02M 35/10013

See application file for complete search history.

Primary Examiner — Ania Aman

(74) *Attorney, Agent, or Firm* — The Dobrusin Law Firm, P.C.

(56) **References Cited**

(57) **CLAIM**

The ornamental design for a snorkel system, as shown and described.

U.S. PATENT DOCUMENTS

DESCRIPTION

3,987,862 A 10/1976 Lindstone
4,157,902 A * 6/1979 Tokar F02M 35/024
55/385.3
4,366,878 A 1/1983 Warf
5,671,802 A 9/1997 Rogers
6,152,096 A 11/2000 Setsuda
6,287,354 B1 9/2001 Nozaki
6,314,931 B1 11/2001 Yasuda et al.
6,530,443 B1 3/2003 Tsuruta et al.
D636,408 S 4/2011 Luxon et al.
D636,787 S 4/2011 Luxon et al.
D636,788 S 4/2011 Luxon et al.
D637,205 S 5/2011 Luxon et al.
D637,206 S 5/2011 Luxon et al.
D637,623 S 5/2011 Luxon et al.
D638,446 S 5/2011 Luxon et al.

FIG. 1 is a perspective view of a snorkel system showing our design.

FIG. 2 is a front view of FIG. 1.

FIG. 3 is a side view of FIG. 1.

FIG. 4 is another side view of FIG. 1.

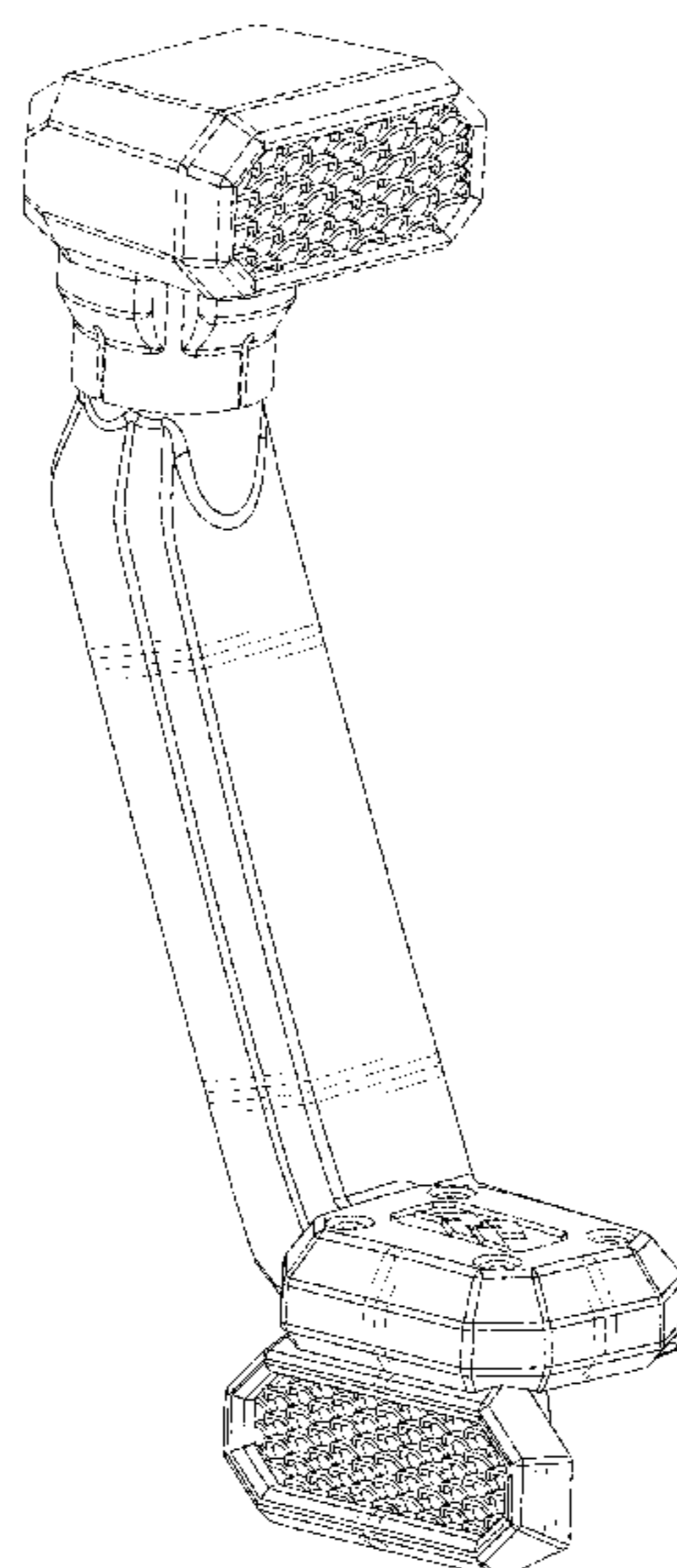
FIG. 5 is a top view of FIG. 1.

FIG. 6 is a bottom elevational view of FIG. 1; and,

FIG. 7 is a back view of FIG. 1.

The broken lines are used to show unclaimed portions of the snorkel system and form no part of the claimed design.

1 Claim, 6 Drawing Sheets



(56)

References Cited

U.S. PATENT DOCUMENTS

9,909,542 B2 3/2018 Rother
 10,131,222 B1 11/2018 Tier et al.
 10,393,076 B1 8/2019 Freeman et al.
 10,428,773 B1 10/2019 Bennett et al.
 10,711,744 B2* 7/2020 Bennett F02M 35/10013
 D896,142 S * 9/2020 Bennett D12/190
 D896,277 S * 9/2020 Bennett D15/5
 D905,117 S * 12/2020 Bennett D15/5
 D927,555 S * 8/2021 Bennett D15/5
 2002/0023792 A1 2/2002 Bouffard et al.
 2005/0217625 A1 10/2005 Niaken et al.
 2006/0065231 A1 3/2006 Nozaki et al.
 2006/0185639 A1 8/2006 Rosenbaum
 2006/0219209 A1 10/2006 Tsuruta et al.
 2006/0230728 A1 10/2006 Tsuruta et al.
 2007/0012274 A1 1/2007 Kawatani
 2009/0260906 A1 10/2009 Hartland et al.
 2010/0078239 A1 4/2010 Beloy
 2010/0083928 A1 4/2010 Saito et al.
 2014/0008136 A1 1/2014 Bennett

2015/0240760 A1 8/2015 Lewington et al.
 2017/0130681 A1 5/2017 Tallman
 2017/0130682 A1 5/2017 Tallman
 2017/0260939 A1 9/2017 Williams
 2018/0319270 A1 11/2018 Tier et al.
 2020/0132027 A1* 4/2020 Bennett B60K 13/02
 2021/0115884 A1* 4/2021 Ketterhagen F02M 35/164
 2021/0122231 A1* 4/2021 Tanaka F01P 3/18
 2021/0170860 A1* 6/2021 Ciccone B60K 13/02
 2021/0190019 A1* 6/2021 Vite Cadena F02M 35/10006
 2021/0246853 A1* 8/2021 Lowstedt F02M 35/086

OTHER PUBLICATIONS

AEV Jeep Wrangler JK Snorkel Pre Filter, Sam's 4x4, sams4X4.com, last accessed Oct. 22, 2018.
 Potentially Related U.S. Appl. No. 29/667,519, filed Oct. 23, 2018.
 Potentially Related U.S. Appl. No. 29/667,886, filed Oct. 25, 2018.
 Potentially Related U.S. Appl. No. 16/171,428, filed Oct. 26, 2018.
 Potentially Related U.S. Appl. No. 29/667,549, filed Oct. 23, 2018.

* cited by examiner

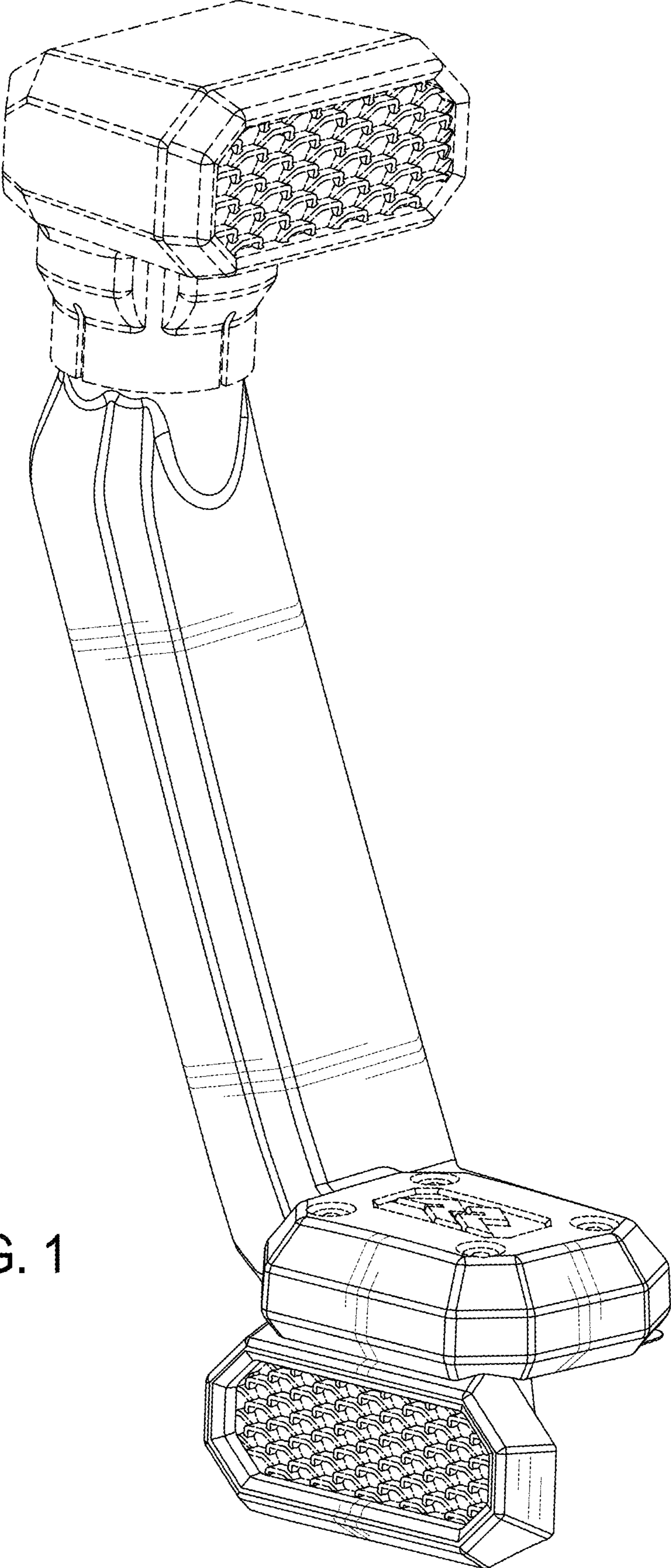


FIG. 1

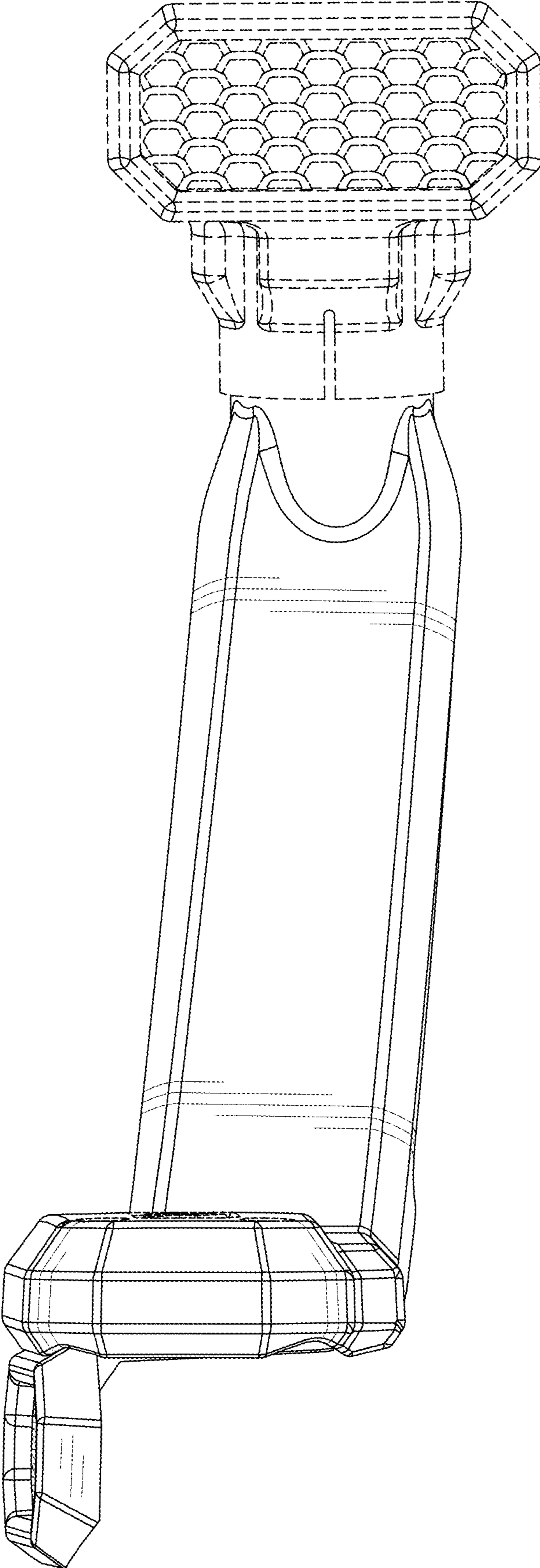


FIG. 2

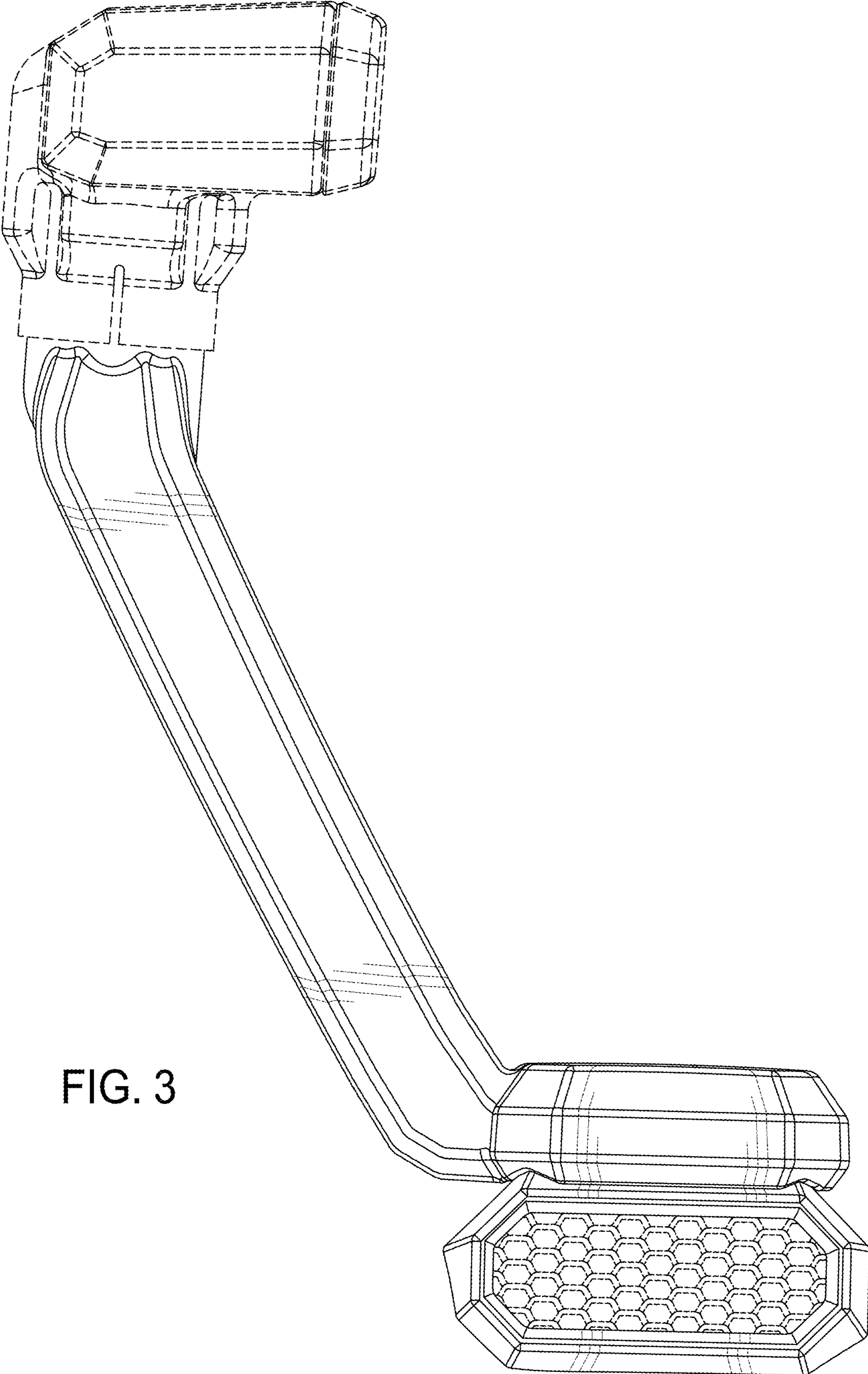


FIG. 3

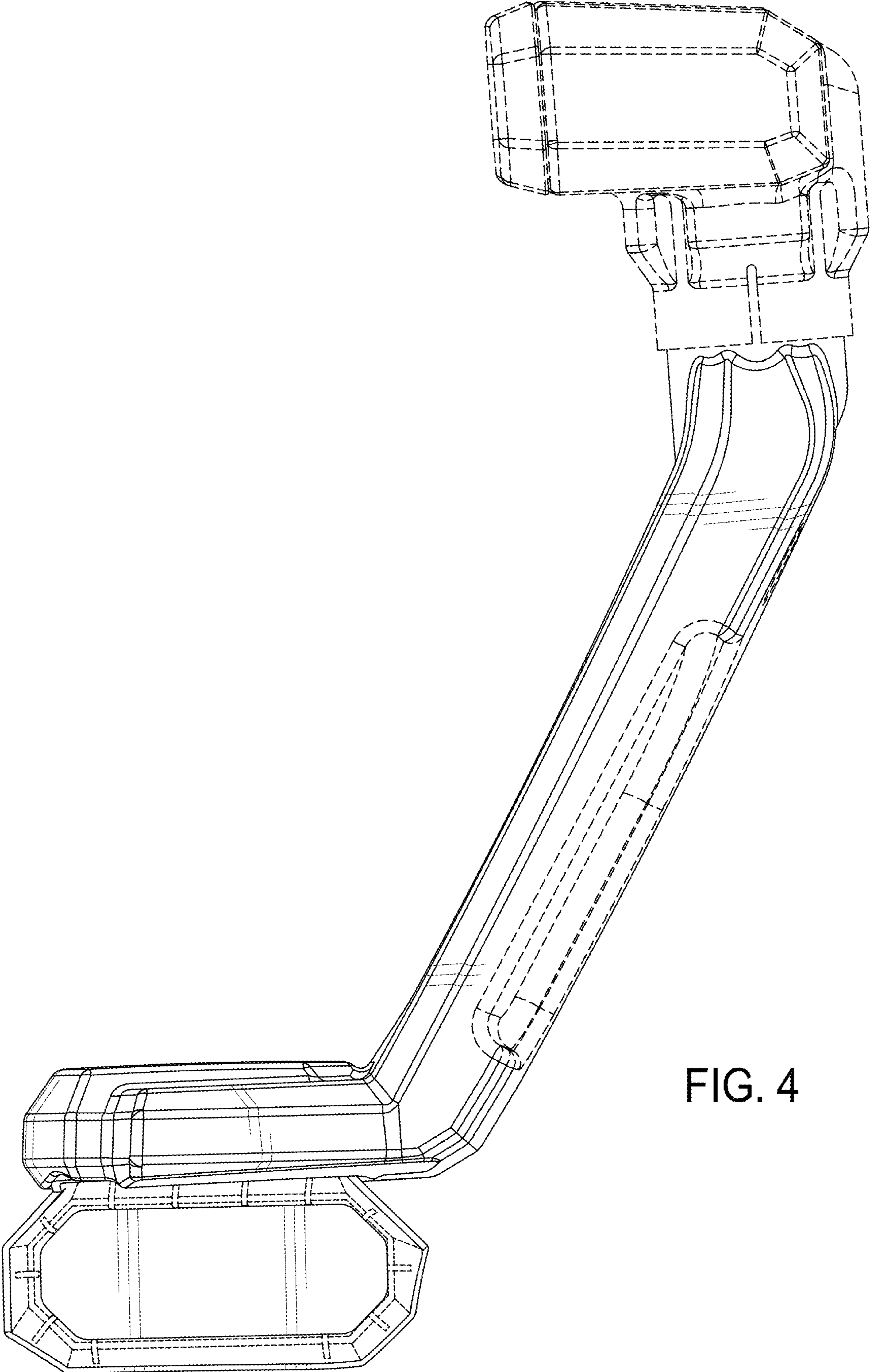


FIG. 4

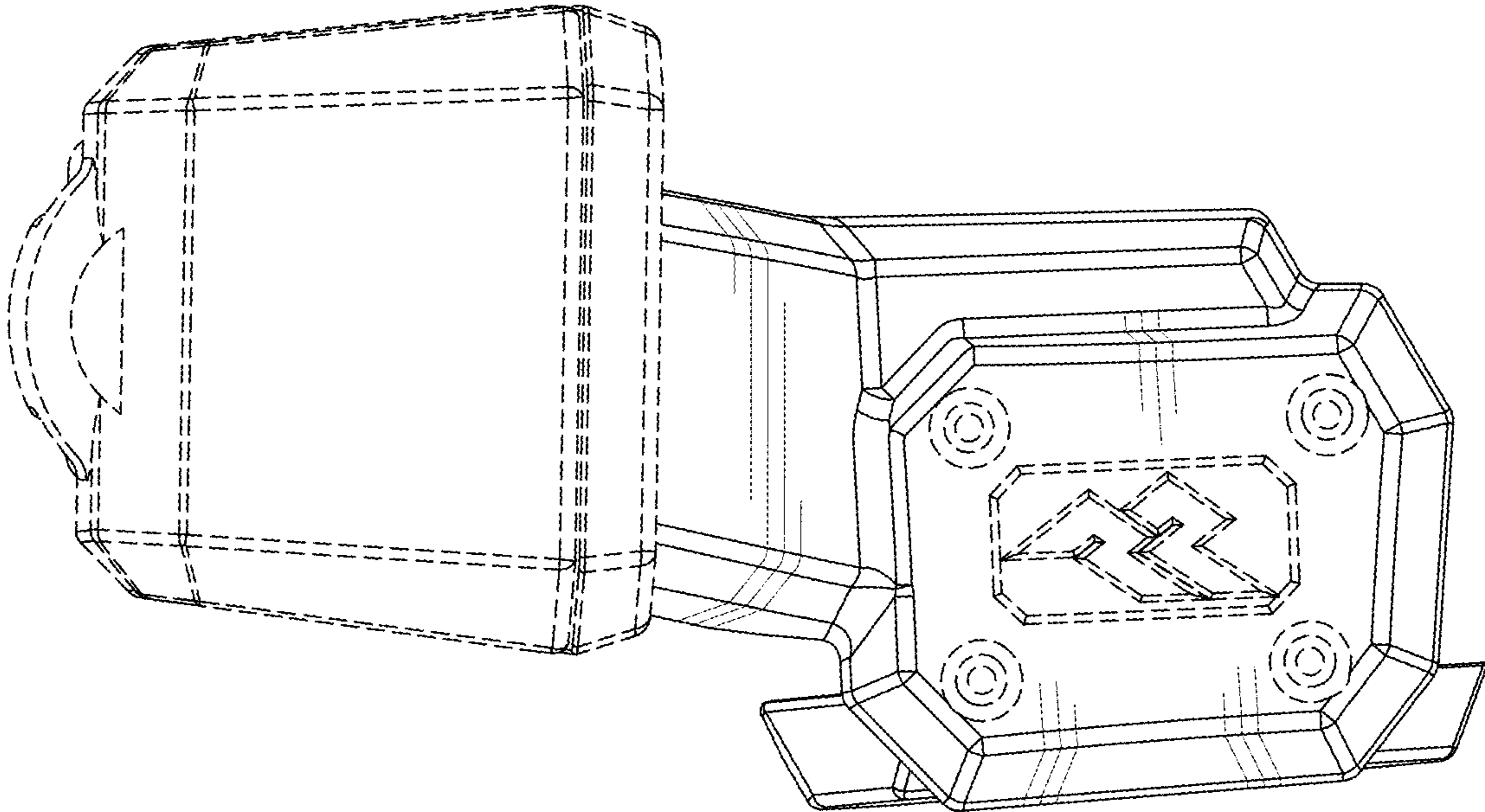


FIG. 5

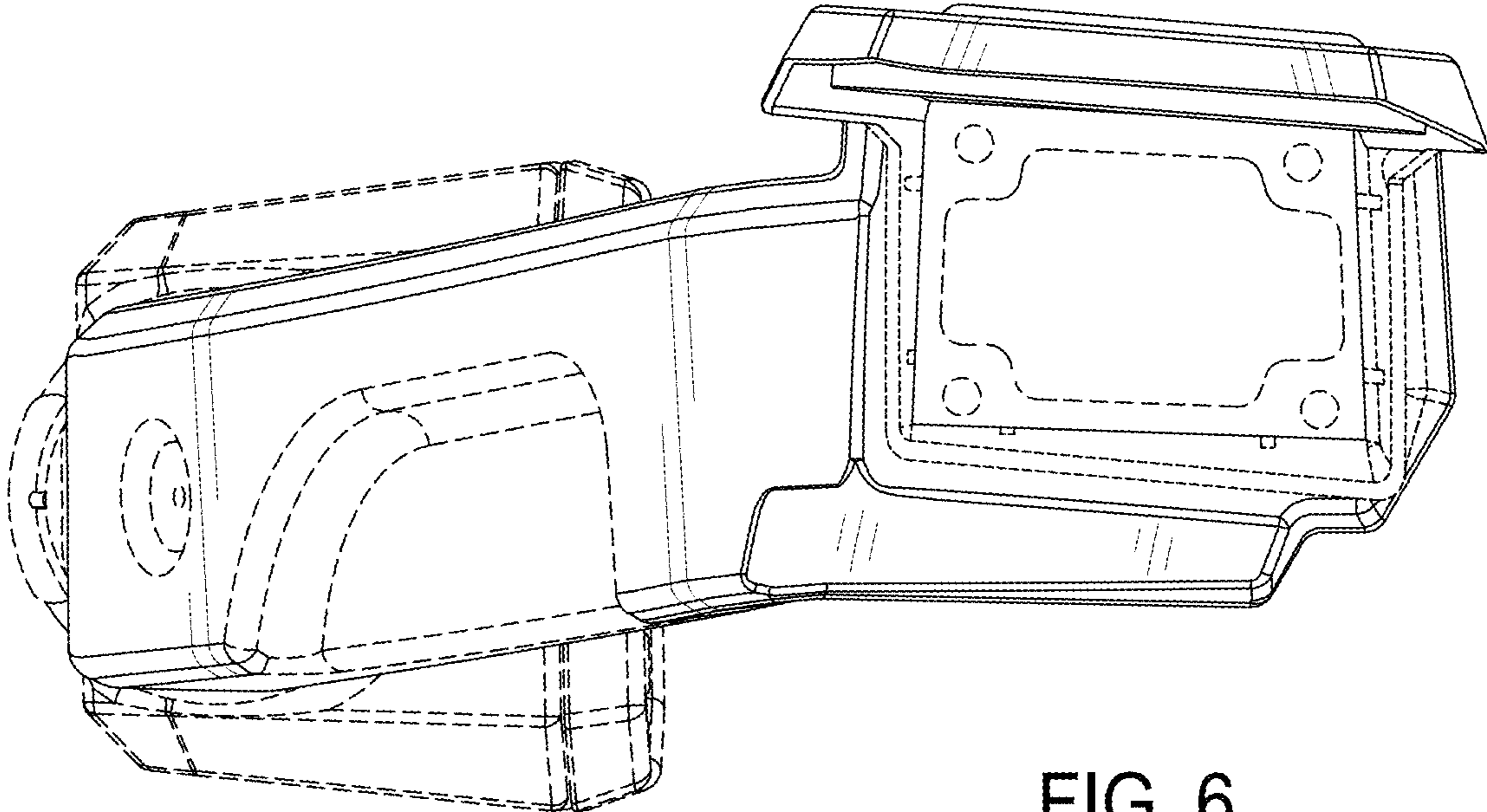


FIG. 6

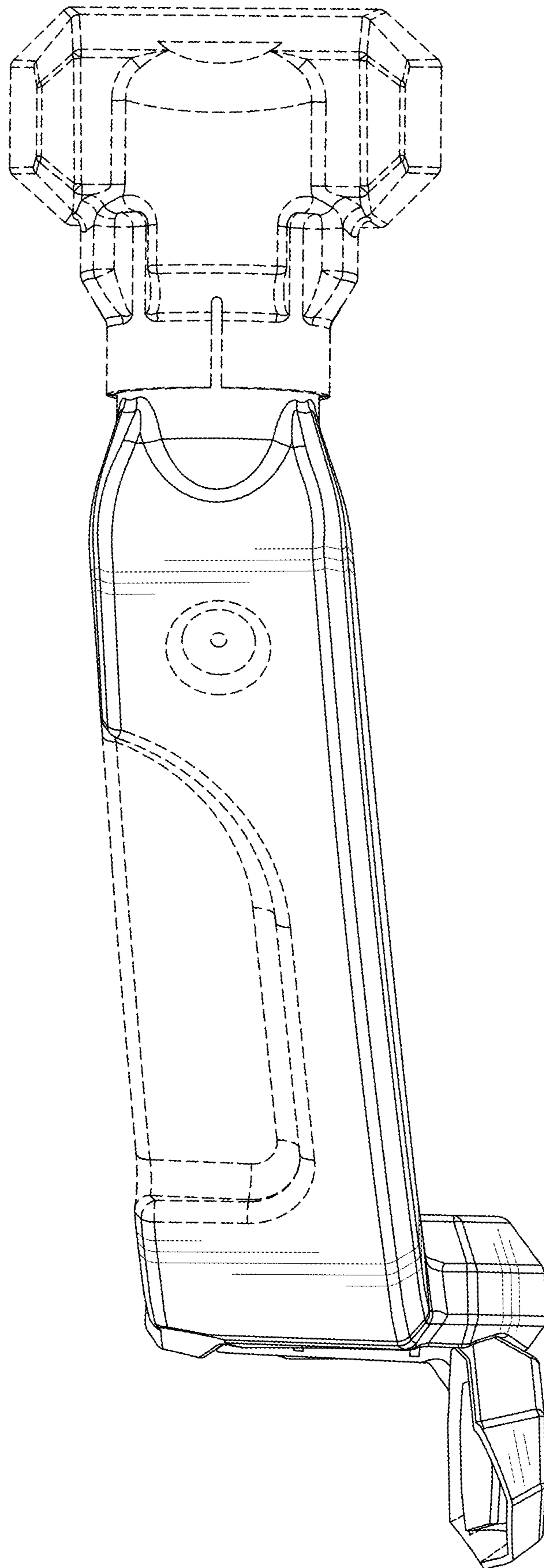


FIG. 7