

US00D943633S

(12) **United States Design Patent**
Alexander

(10) **Patent No.:** **US D943,633 S**

(45) **Date of Patent:** **** Feb. 15, 2022**

(54) **RECOIL STARTER HOUSING**

(71) Applicant: **FNA Group, Inc.**, Pleasant Prairie, WI (US)

(72) Inventor: **Gus Alexander**, Inverness, IL (US)

(73) Assignee: **FNA GROUP, INC.**, Pleasant Prairie, WI (US)

(**) Term: **15 Years**

(21) Appl. No.: **29/708,670**

(22) Filed: **Oct. 8, 2019**

(51) **LOC (13) Cl.** **15-01**

(52) **U.S. Cl.**
USPC **D15/5; D15/17**

(58) **Field of Classification Search**

USPC D15/1, 3-6, 11, 14, 17, 20, 28
CPC .. F01M 5/00; F16M 1/026; F02B 3/02; F02B 37/013; F02B 77/02; F02B 77/11; F02B 77/13; F02B 13/00-06; F02B 61/00; F02P 3/02; F01P 1/06; F02N 3/02; F02N 5/02; F02N 5/04

See application file for complete search history.

(56) **References Cited**

U.S. PATENT DOCUMENTS

D353,381	S	*	12/1994	Yoshida	D15/1
D444,478	S	*	7/2001	Shimizu	D15/1
D540,255	S	*	4/2007	Maeda	D13/113
D549,241	S	*	8/2007	Giddens	D15/5
D589,056	S	*	3/2009	Matsuoka	D15/1
D605,661	S	*	12/2009	Koehl	D15/1
D629,014	S	*	12/2010	Osumi	D15/1
D634,333	S	*	3/2011	Johnson	D15/1
D648,754	S	*	11/2011	Yuzuriha	D15/17
D668,264	S	*	10/2012	Tiefenthaler	D15/5
D689,522	S	*	9/2013	Johnson	D15/1
D723,062	S	*	2/2015	Isono	D15/5
RE45,913	E	*	3/2016	Giddens	D15/5
D859,468	S	*	9/2019	Akamine	D15/1
D861,040	S	*	9/2019	Raskin	D15/5
D924,272	S	*	7/2021	Lien	D15/1
D925,845	S	*	7/2021	Alexander	D32/15

(Continued)

OTHER PUBLICATIONS

Steve, "Clean Machine 3400psi 2.5gpm", (published Jun. 4, 2020), Homedepot.com website reviews, URL:<https://www.homedepot.com/p/SIMPSON-Clean-Machine-by-3400-PSI-at-2-5-GPM-Cold-Water-Residential-Gas-Pressure-Washer-CM61083/312650606?source=shoppingads&locale=en-US&mtc=Shopping-B-F_D281-G-D281-028_031_PRESSUR_WASH-NA-NA-NA-SMART-NA-NA-SMART_SHP-71700000080837636-58700006820161828-92700061594993434&gclid=CjwKCAjwy7CKBhBMEiwA0Eb7aqTS6ySY1ds9R4v0ZJZhlpTHgWE2QVoacNGhGvHynLAqdKWSAwmBvRoCZzgQAvD_BwE&gclsrc=aw.ds#overlay> (Year: 2020).*

Primary Examiner — Sheryl Lane

Assistant Examiner — Mark T. Philipps

(74) *Attorney, Agent, or Firm* — Steven E. Jedlinski; Jeffrey T. Placker; Holland & Knight LLP

(57) **CLAIM**

The ornamental design for a recoil starter housing, as shown and described.

DESCRIPTION

FIG. 1 is a top-front-right perspective view of a recoil starter housing;

FIG. 2 is a top-front-left perspective view thereof;

FIG. 3 is a top-rear-right perspective view thereof;

FIG. 4 is a top-front-left perspective view thereof;

FIG. 5 is a bottom-rear perspective view thereof;

FIG. 6 is a bottom-right perspective view thereof;

FIG. 7 is a bottom-rear perspective view thereof, with the recoil mechanism removed for clarity;

FIG. 8 is a left elevation view thereof;

FIG. 9 is a right elevation view thereof;

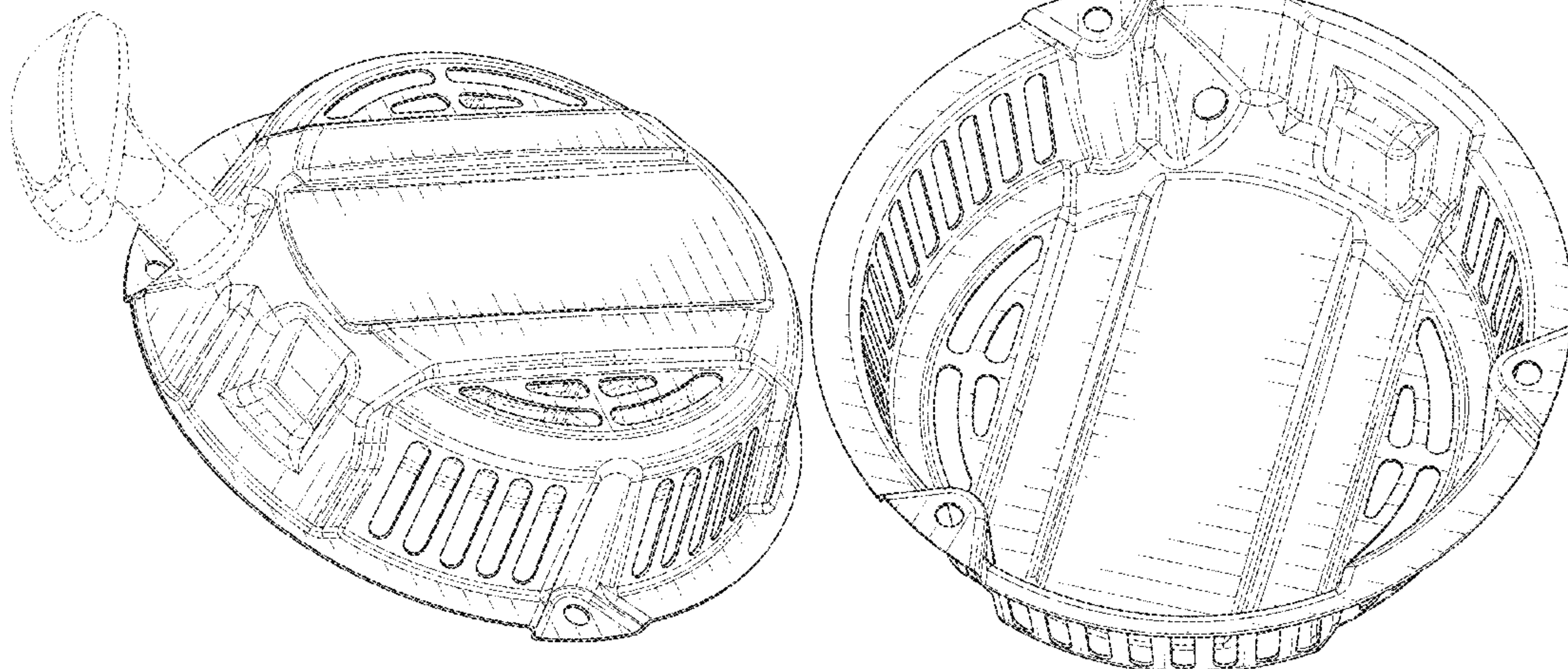
FIG. 10 is rear elevation view thereof;

FIG. 11 is a front elevation view thereof; and,

FIG. 12 is a top plan view thereof.

The broken lines are included for the purpose of illustrating portions of the recoil starter housing that form no part of the claimed design.

1 Claim, 11 Drawing Sheets



(56)

References Cited

U.S. PATENT DOCUMENTS

2006/0081209 A1* 4/2006 Hashiba F16D 41/12
123/185.3
2013/0019822 A1* 1/2013 Raasch F02N 3/02
123/41.65
2015/0135884 A1* 5/2015 Watanabe F02N 3/02
74/502.2
2016/0281597 A1* 9/2016 Kase F02N 3/02
2018/0045160 A1* 2/2018 Maki F01P 1/06
2020/0347812 A1* 11/2020 Hashizume F02N 19/001

* cited by examiner

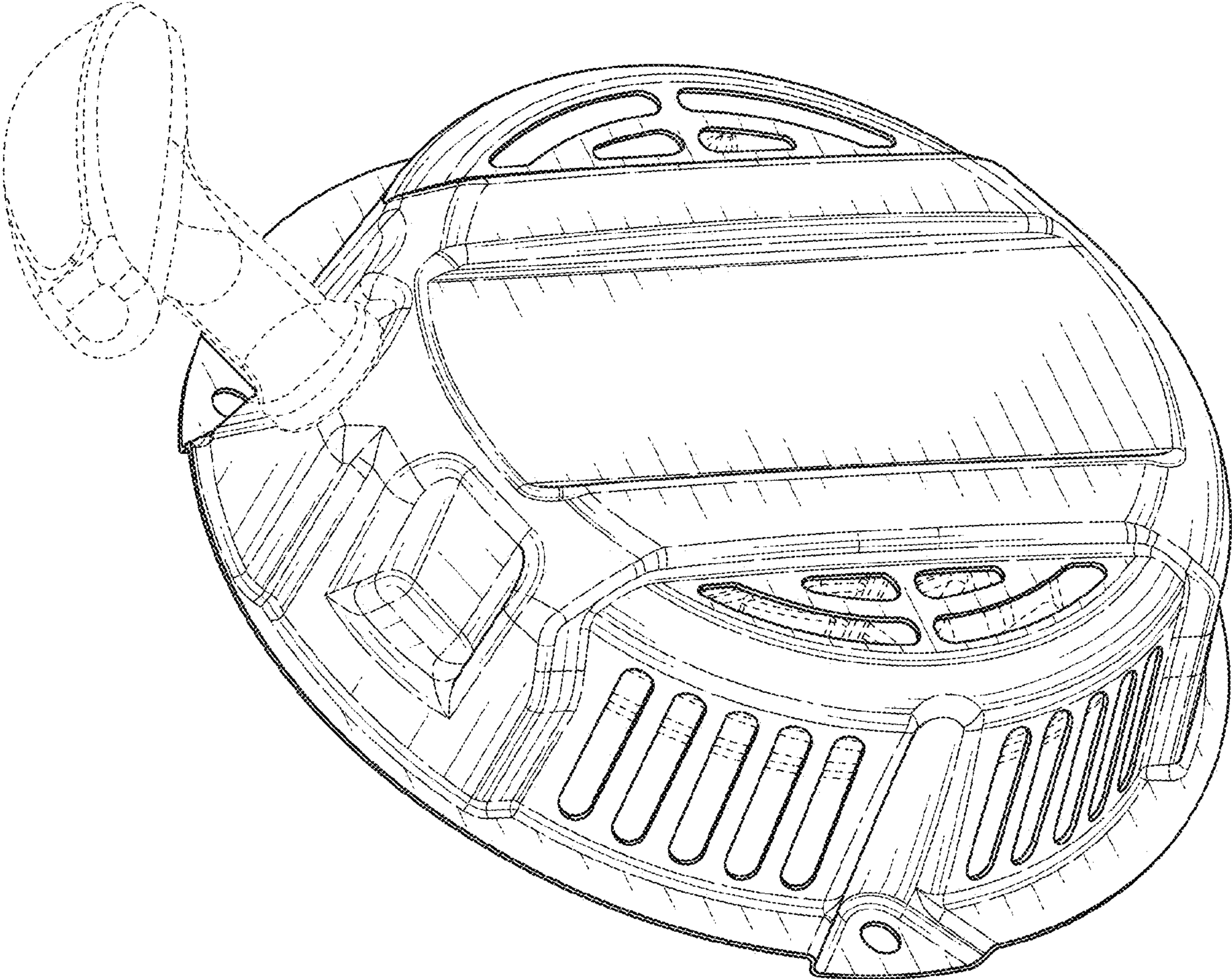


FIG. 1

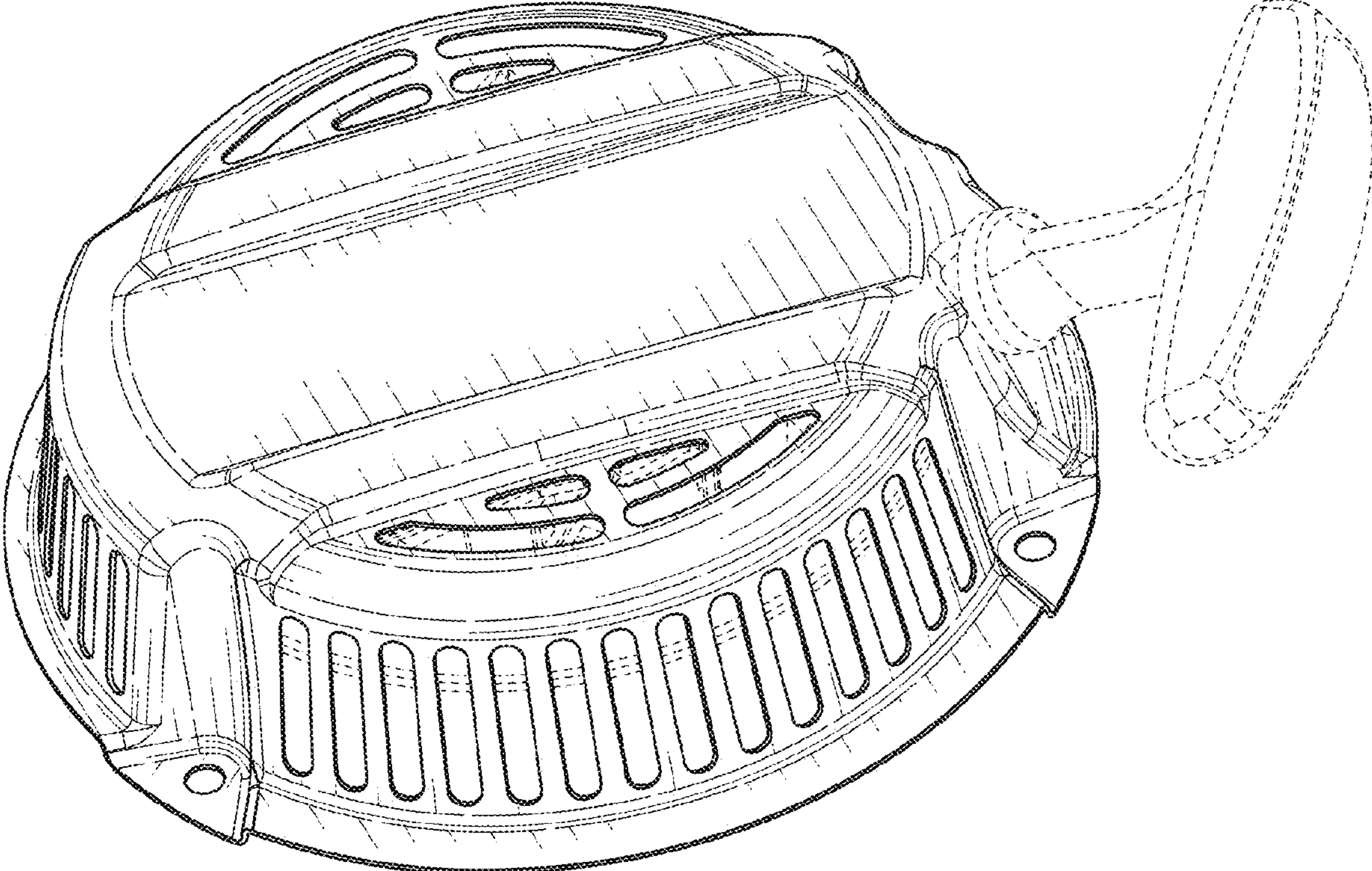


FIG. 2

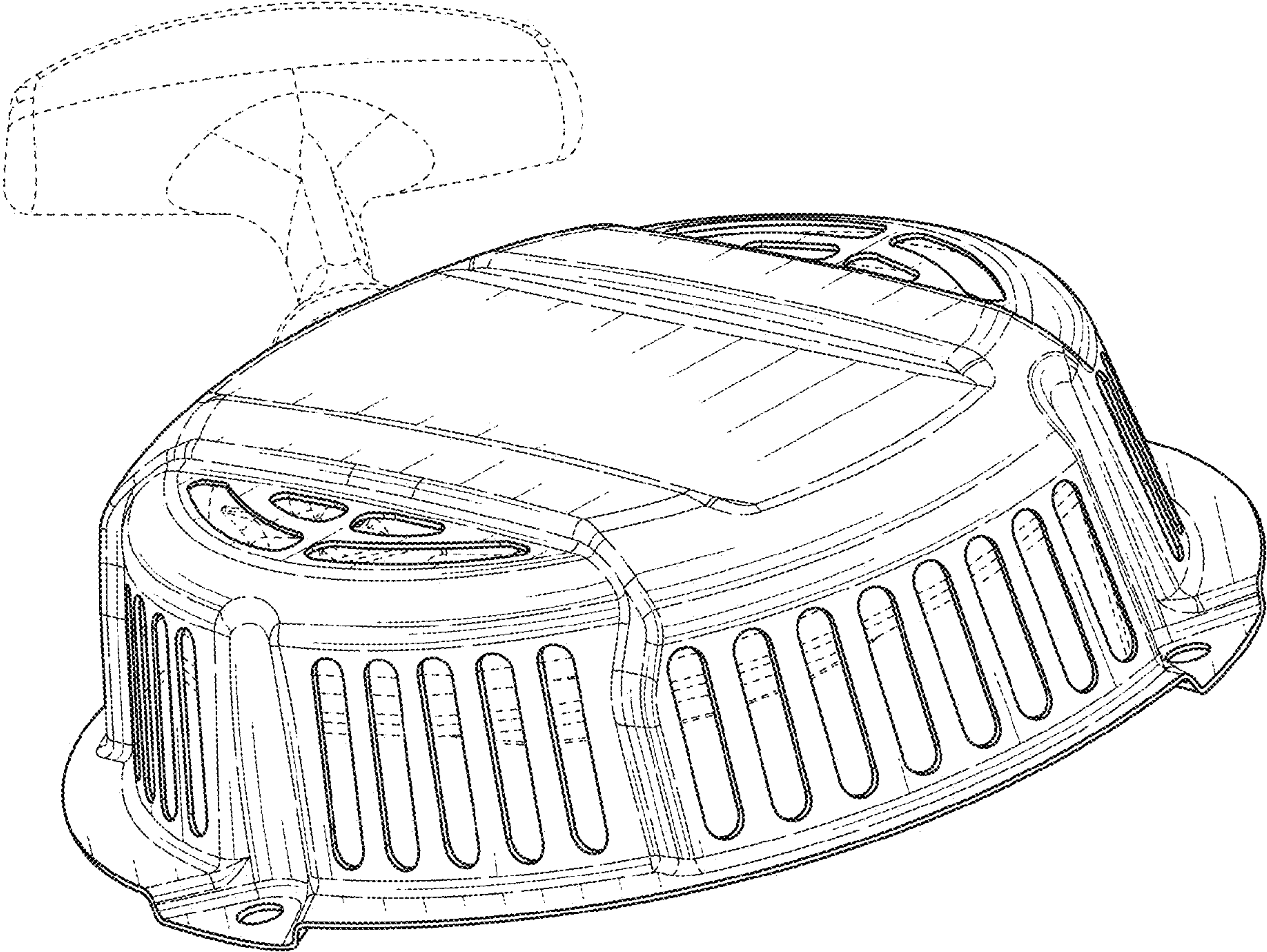


FIG. 3

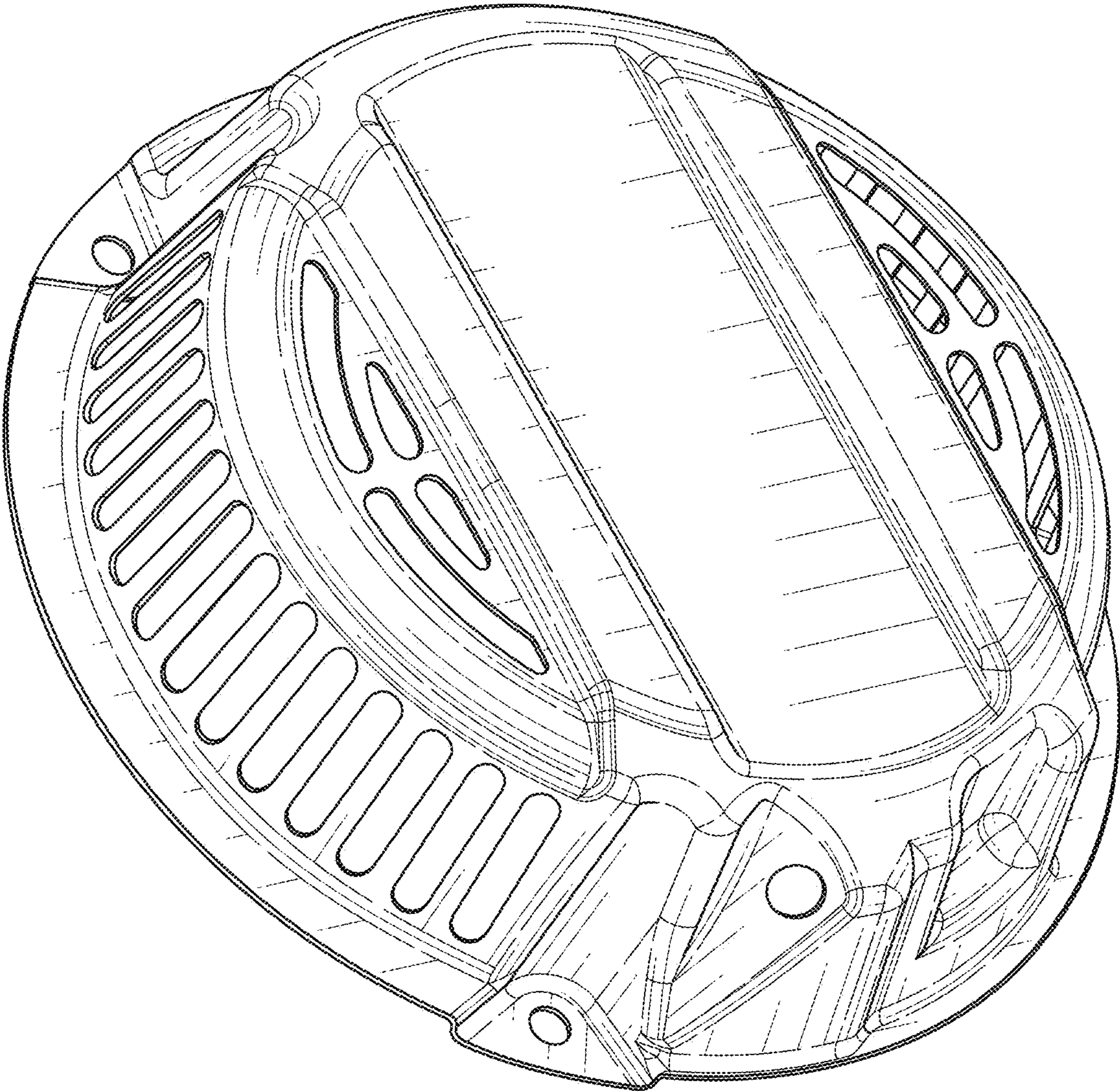


FIG. 4

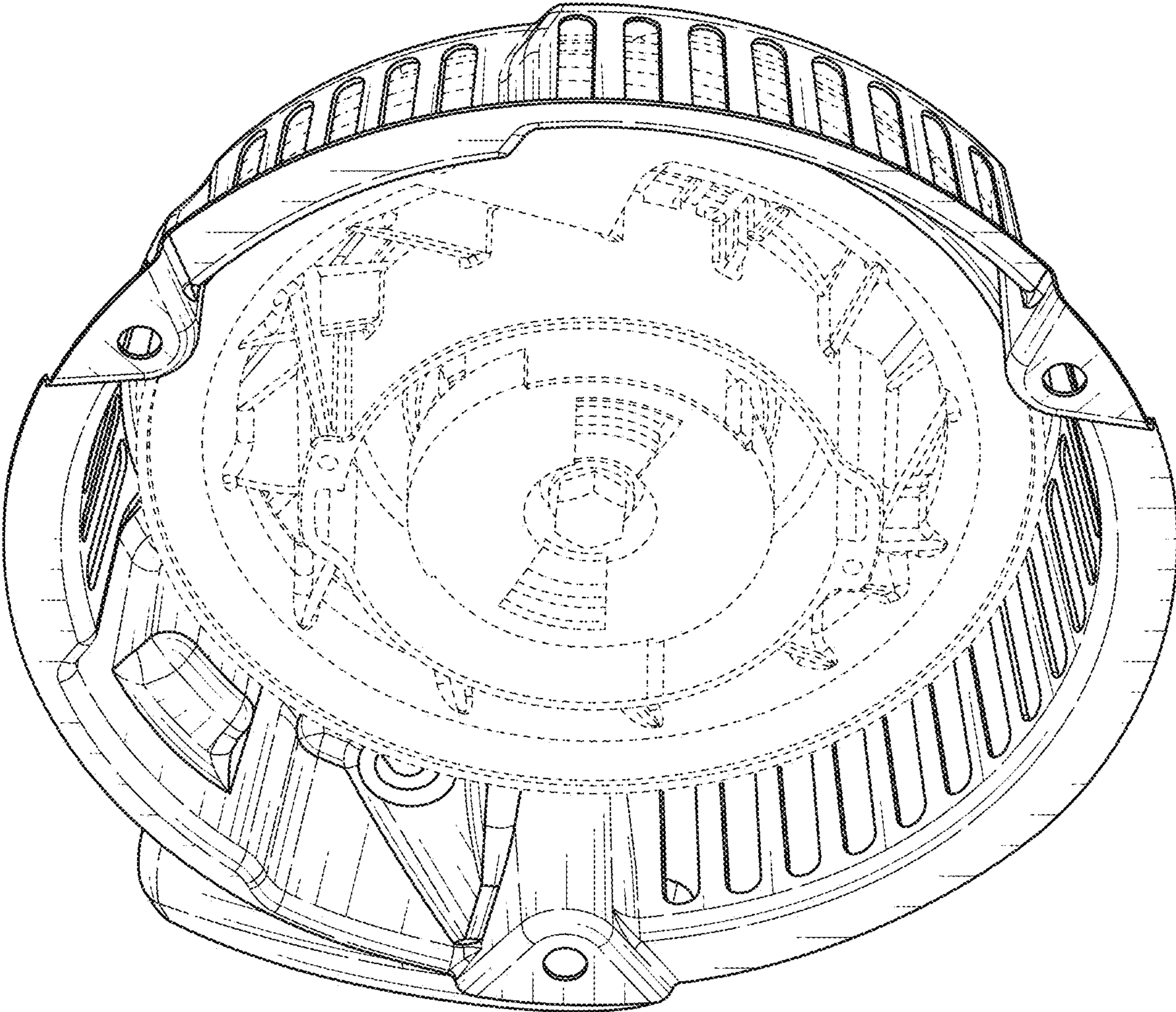


FIG. 5

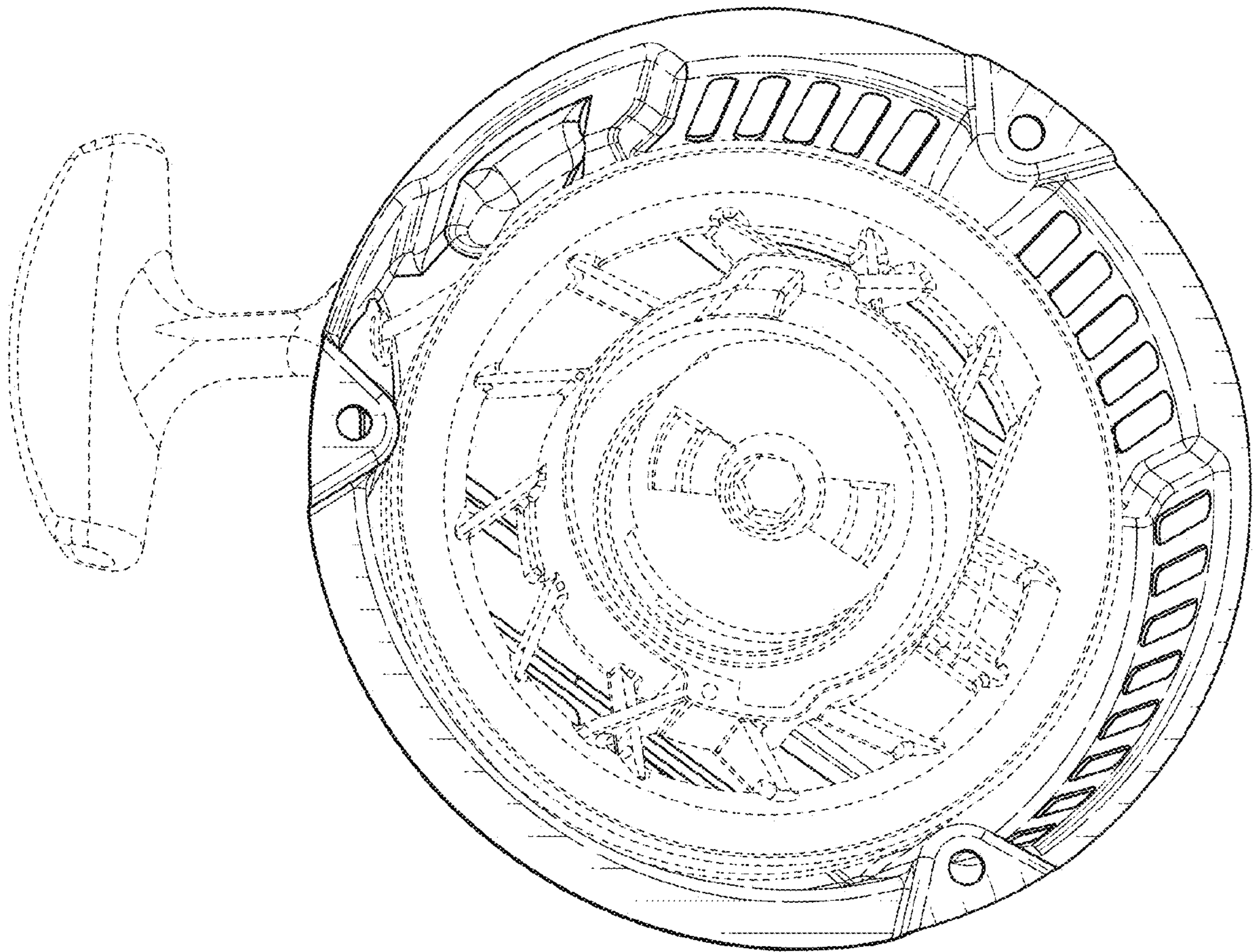


FIG. 6

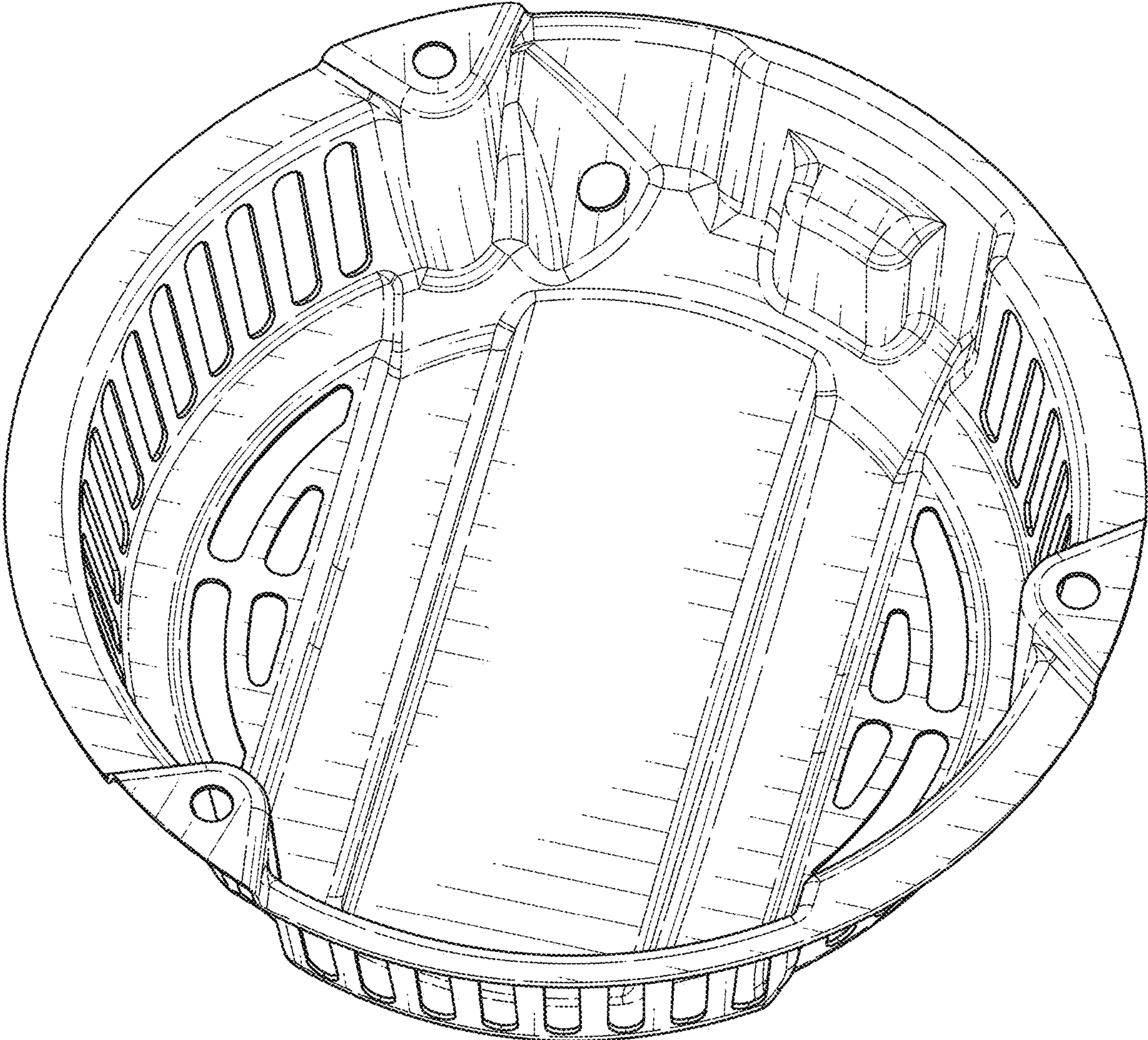


FIG. 7

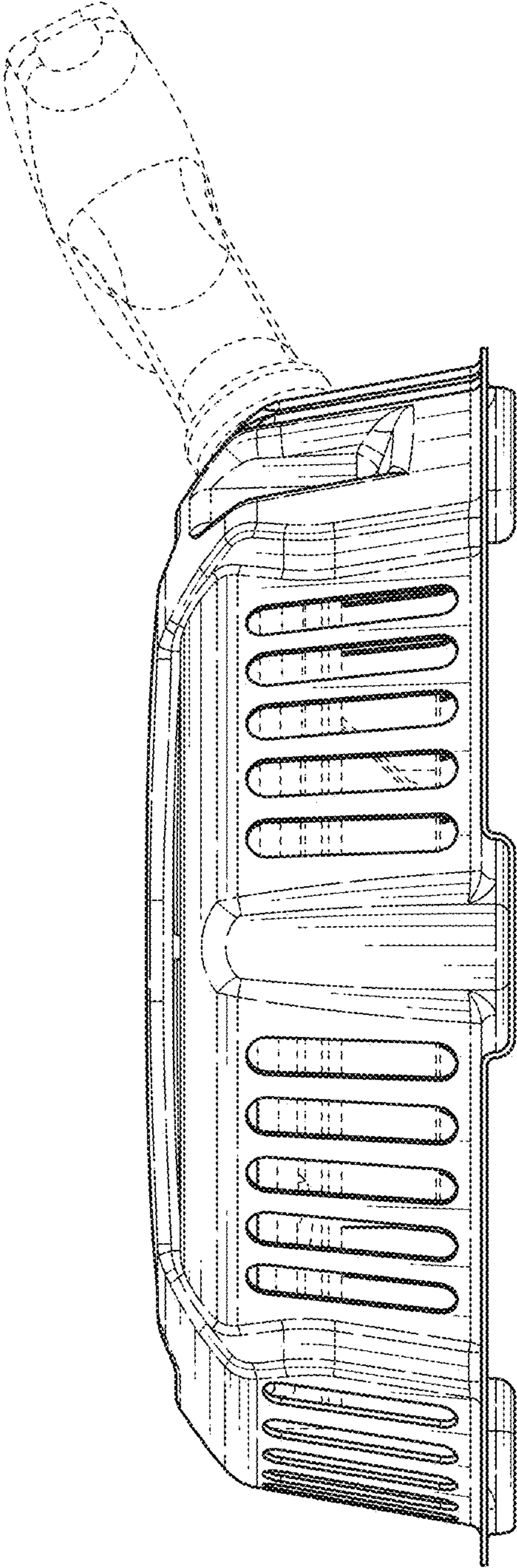


FIG. 8

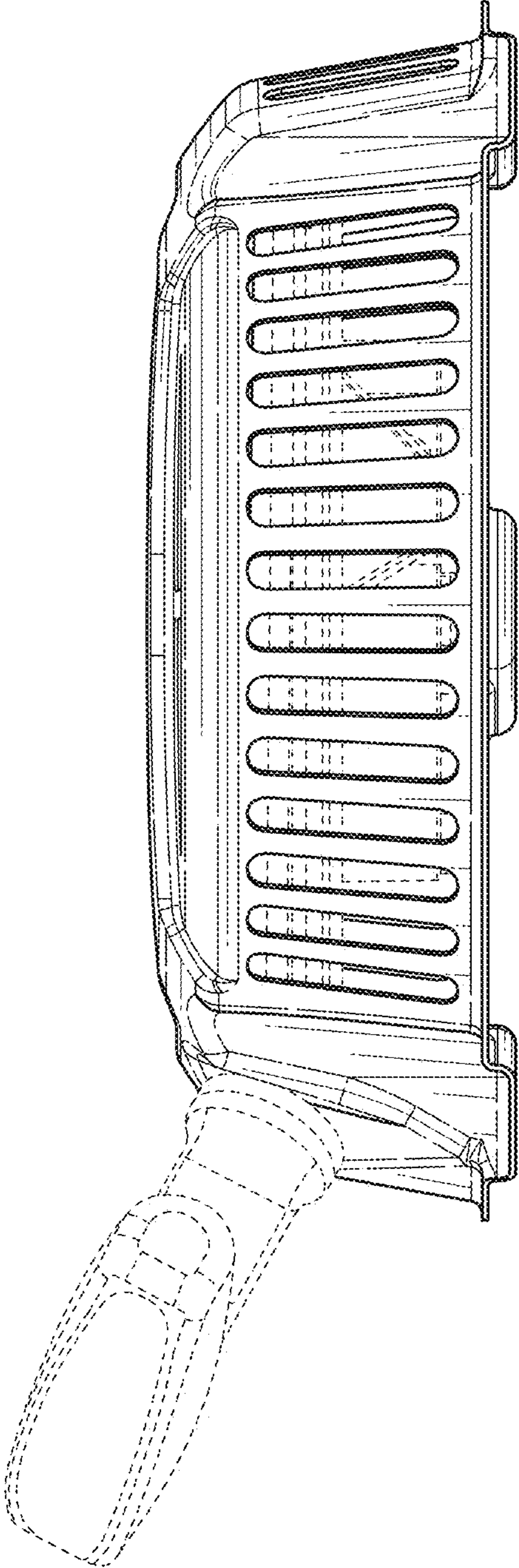


FIG. 9

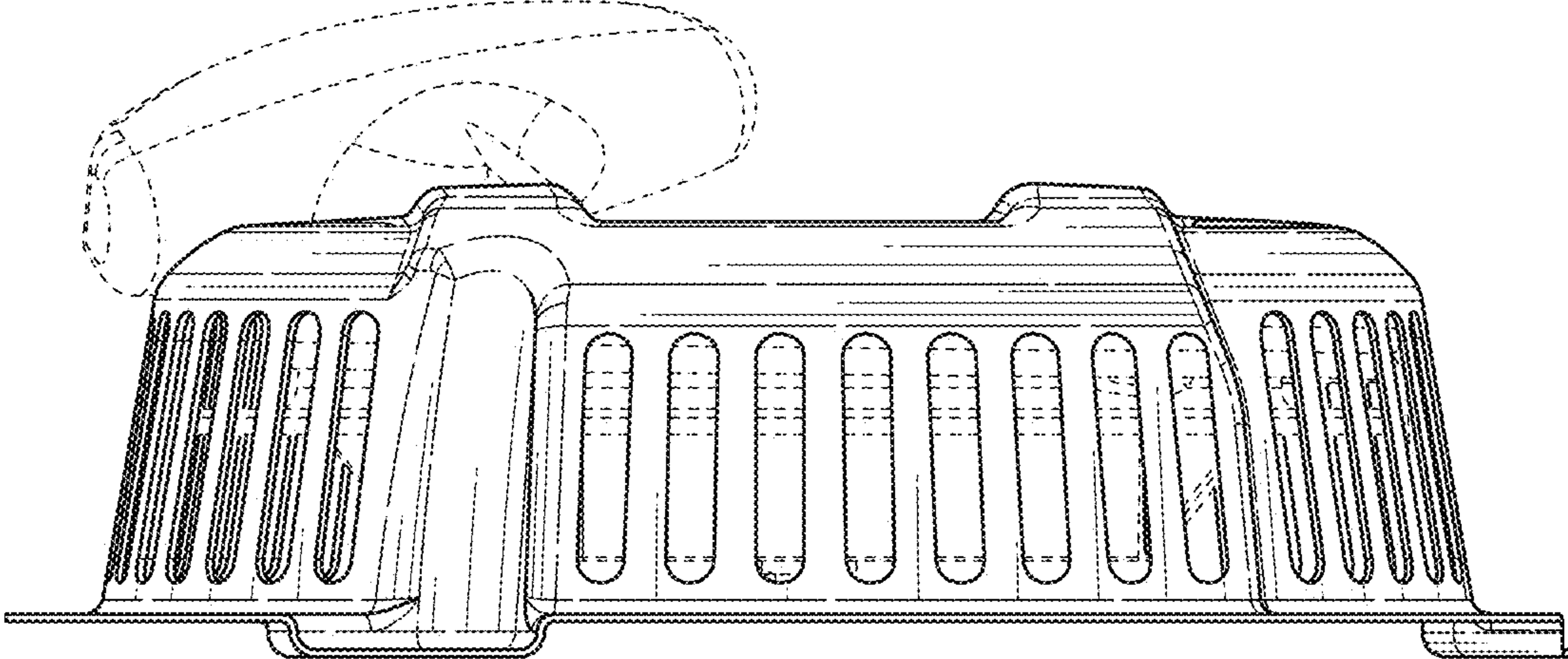


FIG. 10

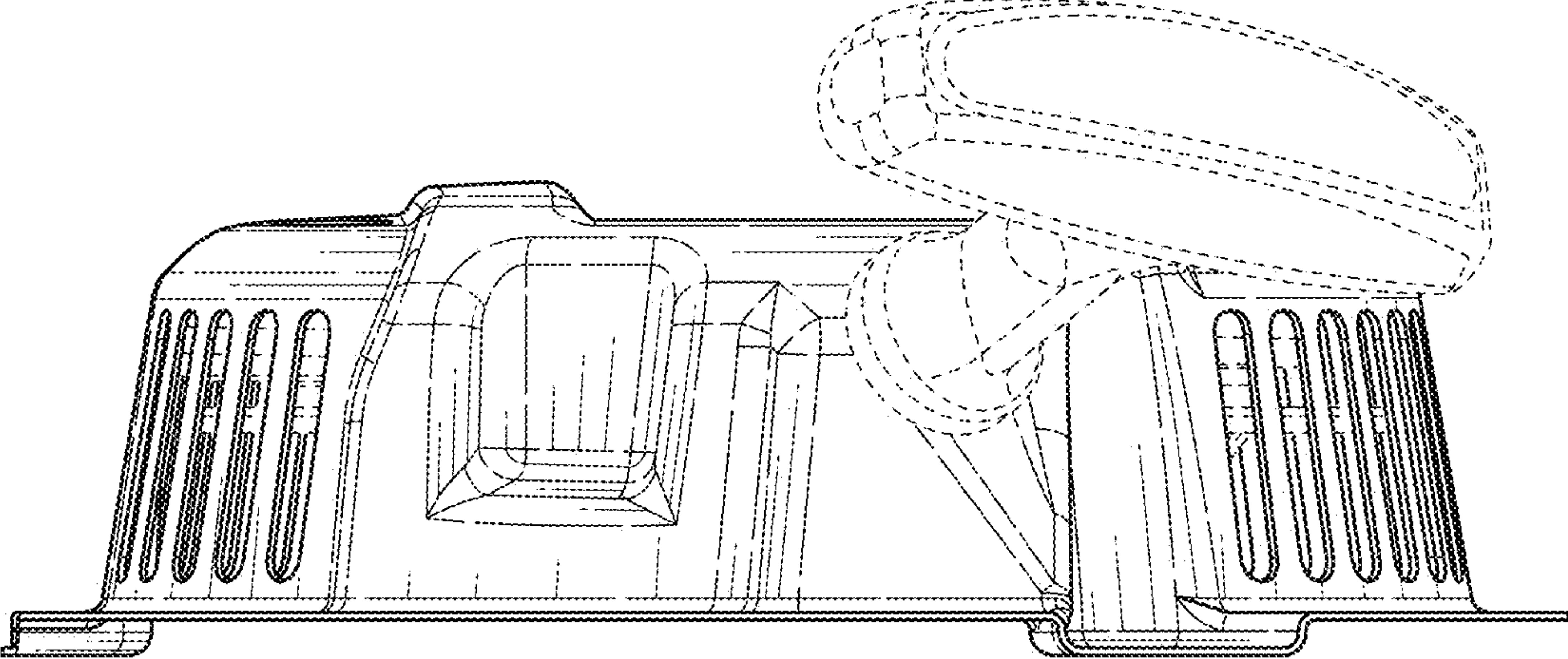


FIG. 11

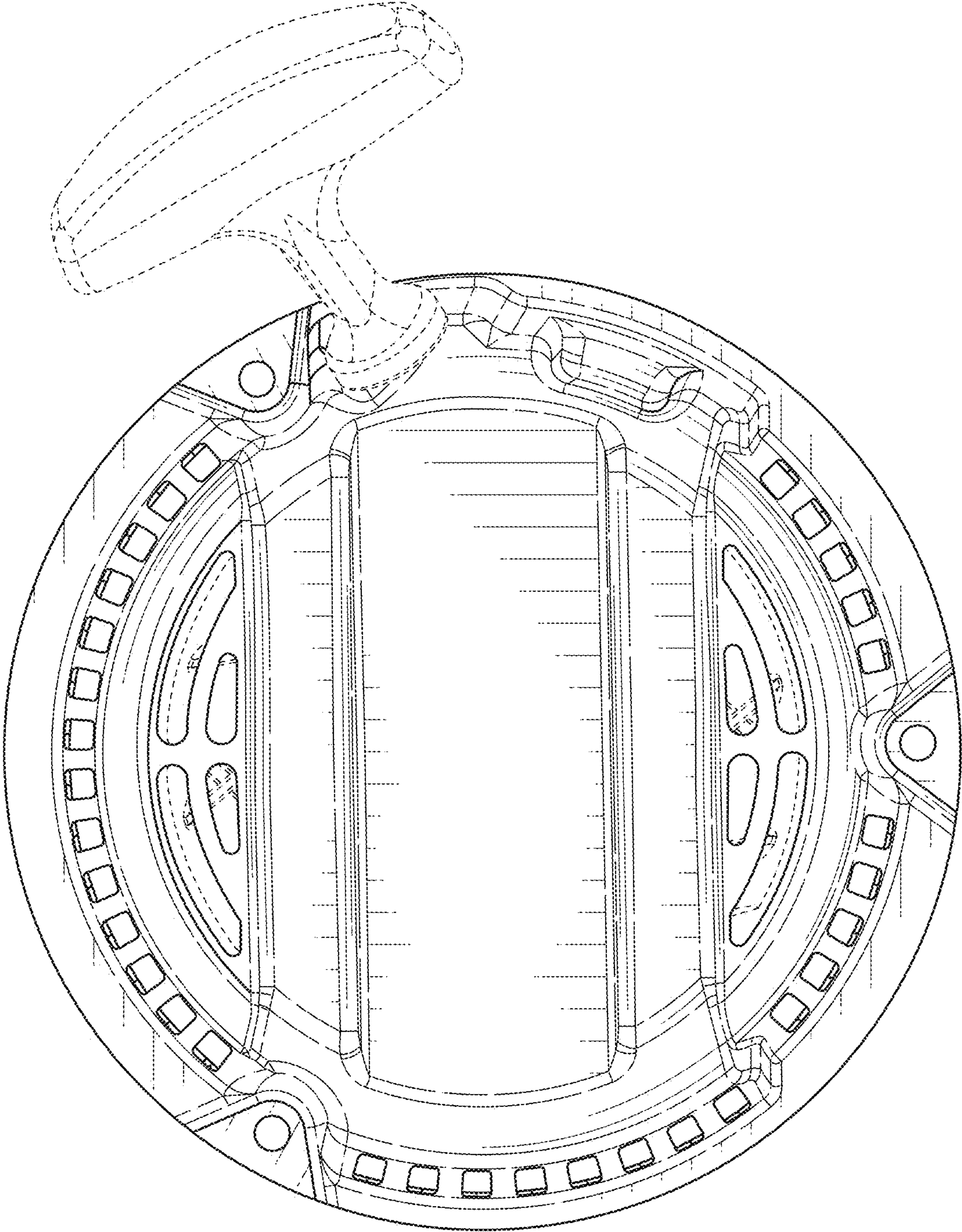


FIG. 12