

US00D943632S

(12) **United States Design Patent** (10) **Patent No.:** **US D943,632 S**
Downey (45) **Date of Patent:** **** Feb. 15, 2022**

(54) **TROLLING MOTOR FOOT PEDAL**
(71) Applicant: **Brunswick Corporation**, Mettawa, IL (US)
(72) Inventor: **Kevin T. Downey**, Rockford, MI (US)
(73) Assignee: **Brunswick Corporation**, Mettawa, IL (US)
(**) Term: **15 Years**

(21) Appl. No.: **29/697,009**
(22) Filed: **Jul. 3, 2019**
(51) **LOC (13) Cl.** **15-01**
(52) **U.S. Cl.**
USPC **D15/4**
(58) **Field of Classification Search**
USPC D15/4, 72; D17/20, 99; D24/179
CPC B63H 20/007; B63H 20/02; B63H 21/21;
B63H 21/265; B63H 21/213; B63H 21/26
See application file for complete search history.

(56) **References Cited**
U.S. PATENT DOCUMENTS
D408,827 S * 4/1999 Cook, III D15/4
D455,437 S * 4/2002 Knight D15/4
6,468,117 B1 * 10/2002 Healey B63H 21/213
440/7

(Continued)
FOREIGN PATENT DOCUMENTS
CA 2895863 C * 10/2017
OTHER PUBLICATIONS
Koetsier, Nathan D., "Trolling Motor Foot Pedal," Unpublished U.S. Appl. No. 29/696,282, filed Jun. 26, 2019.

Primary Examiner — Ania Aman

(74) *Attorney, Agent, or Firm* — Andrus Intellectual Property Law, LLP

(57) **CLAIM**

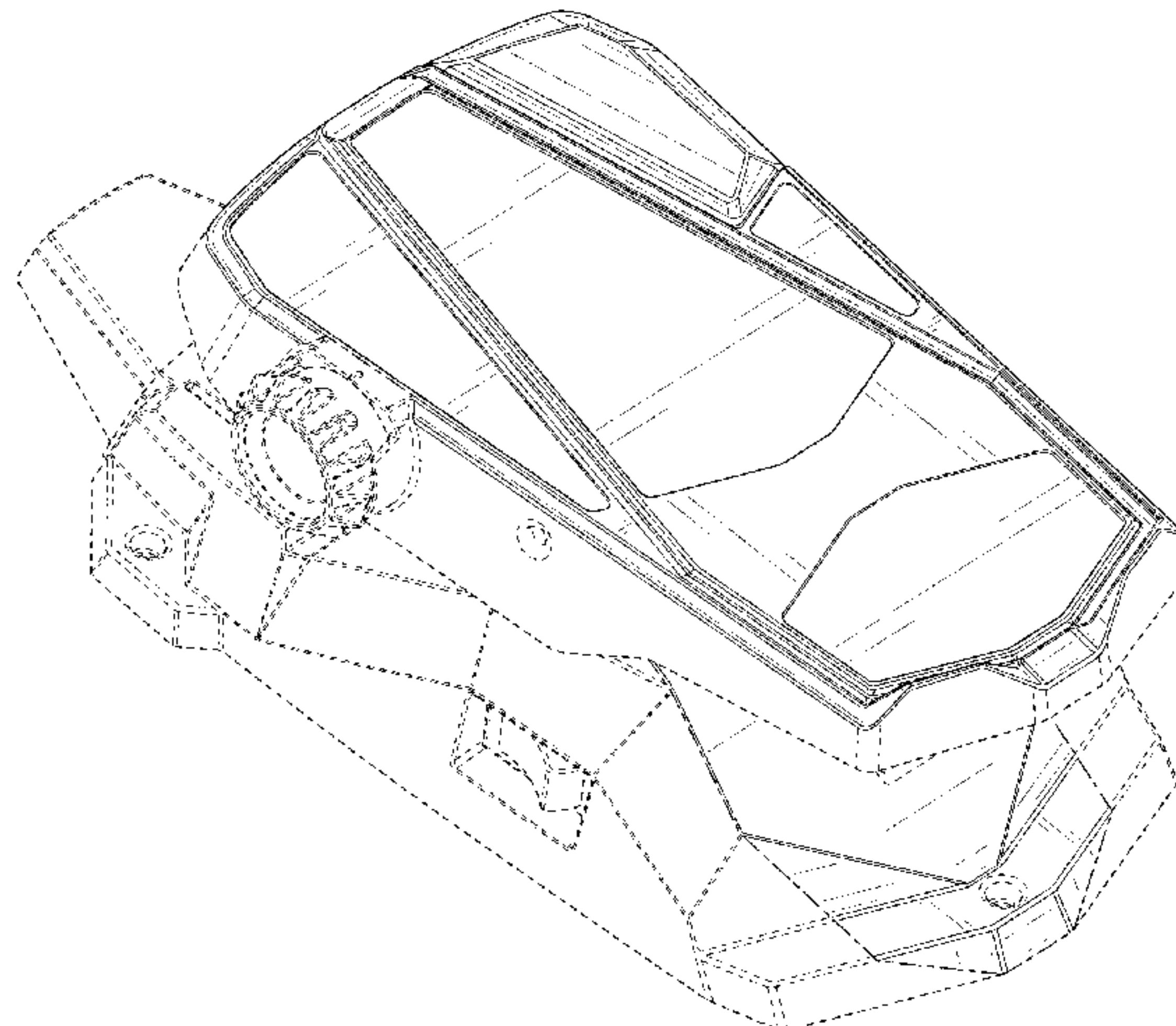
The ornamental design for a trolling motor foot pedal, as shown and described.

DESCRIPTION

FIG. 1 is a left rear perspective view of a first embodiment of a trolling motor foot pedal according to my new and ornamental design;
FIG. 2 is a rear elevation view thereof;
FIG. 3 is a front elevation view thereof;
FIG. 4 is a left side elevation view thereof;
FIG. 5 is a right side elevation view thereof;
FIG. 6 is a top plan view thereof;
FIG. 7 is a bottom plan view thereof;
FIG. 8 is a left rear perspective view of a second embodiment of a trolling motor foot pedal according to my new and ornamental design;
FIG. 9 is a rear elevation view thereof;
FIG. 10 is a front elevation view thereof;
FIG. 11 is a left side elevation view thereof;
FIG. 12 is a right side elevation view thereof;
FIG. 13 is a top plan view thereof;
FIG. 14 is a bottom plan view thereof;
FIG. 15 is a left rear perspective view of a third embodiment of a trolling motor foot pedal according to my new and ornamental design;
FIG. 16 is a rear elevation view thereof;
FIG. 17 is a front elevation view thereof;
FIG. 18 is a left side elevation view thereof;
FIG. 19 is a right side elevation view thereof;
FIG. 20 is a top plan view thereof; and,
FIG. 21 is a bottom plan view thereof.

The portions of the trolling motor foot pedal shown in broken lines form no part of the claimed design. The dash-dot broken lines separating portions of the trolling motor foot pedal shown in solid lines from portions of the

(Continued)



trolling motor foot pedal shown in broken lines represent the boundaries of the claimed design; the broken lines form no part of the claimed design.

1 Claim, 21 Drawing Sheets

(56)

References Cited

U.S. PATENT DOCUMENTS

D886,863	S *	6/2020	Bailey	D15/4
D905,757	S *	12/2020	Domke	D15/4
D925,605	S *	7/2021	Bailey	D15/4
2013/0257316	A1 *	10/2013	Perry	H02K 7/116 318/15
2019/0176950	A1 *	6/2019	Whiteside	B63H 25/42
2020/0172219	A1 *	6/2020	Schroeder	B63H 20/007

* cited by examiner

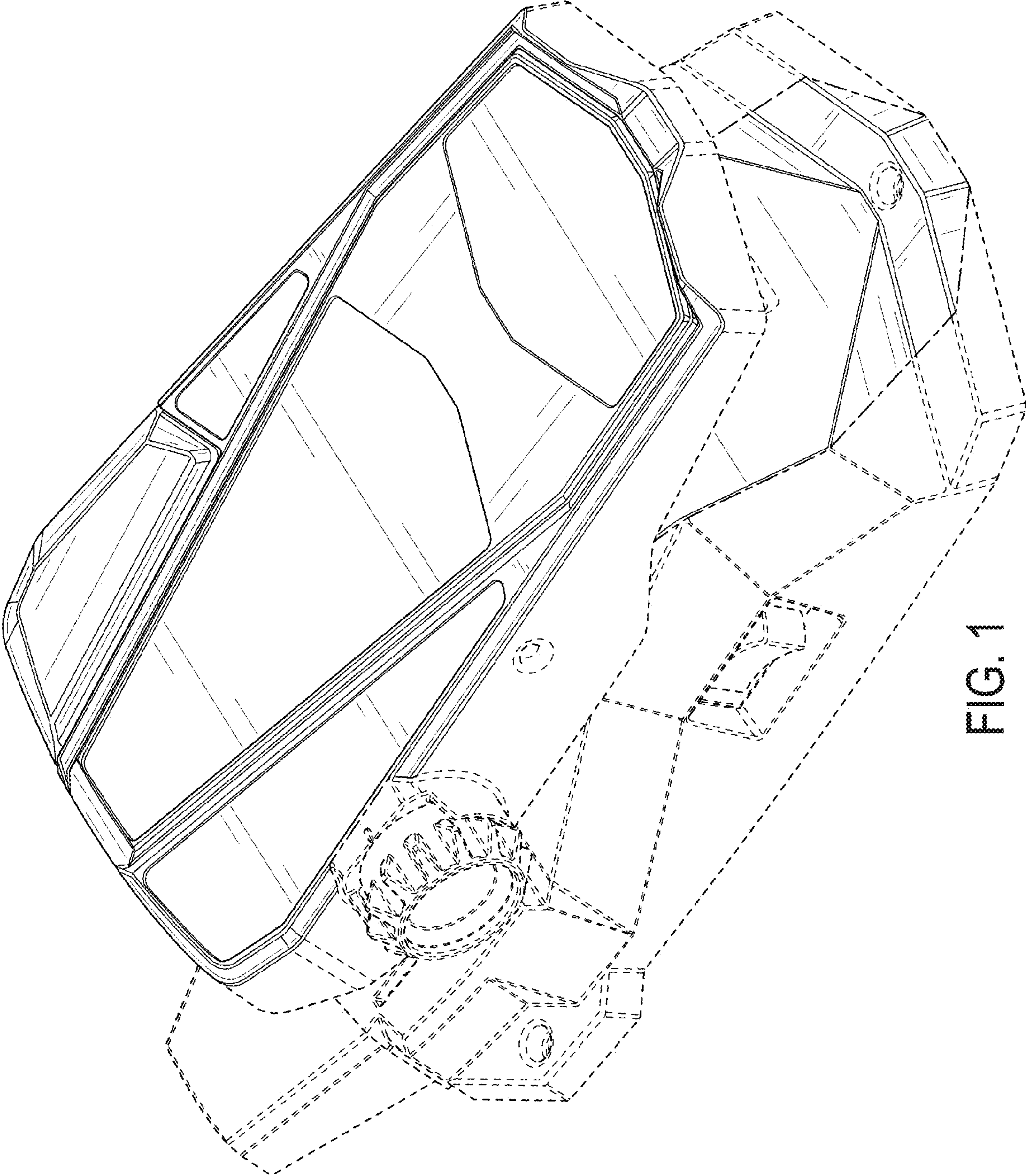


FIG. 1

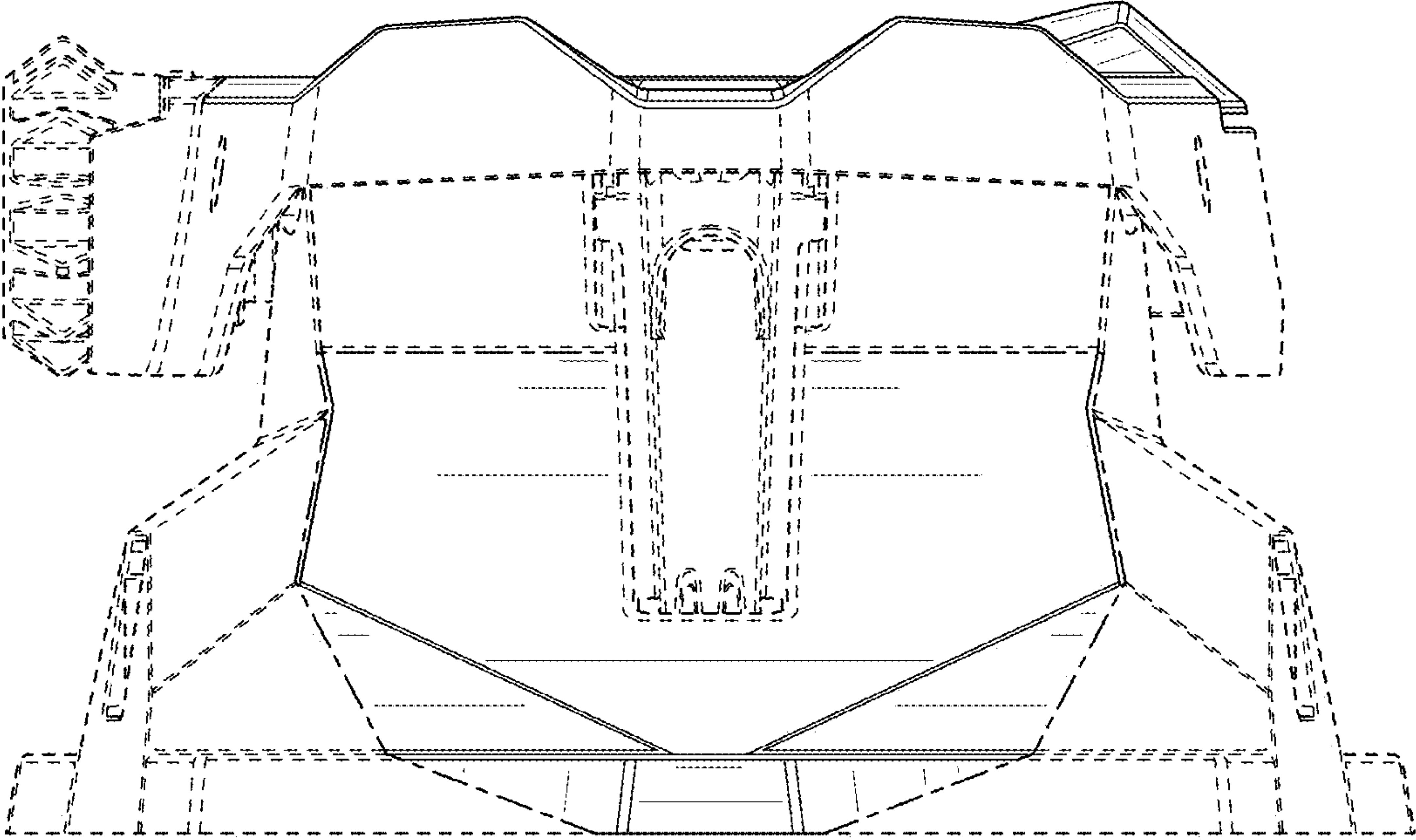


FIG. 2

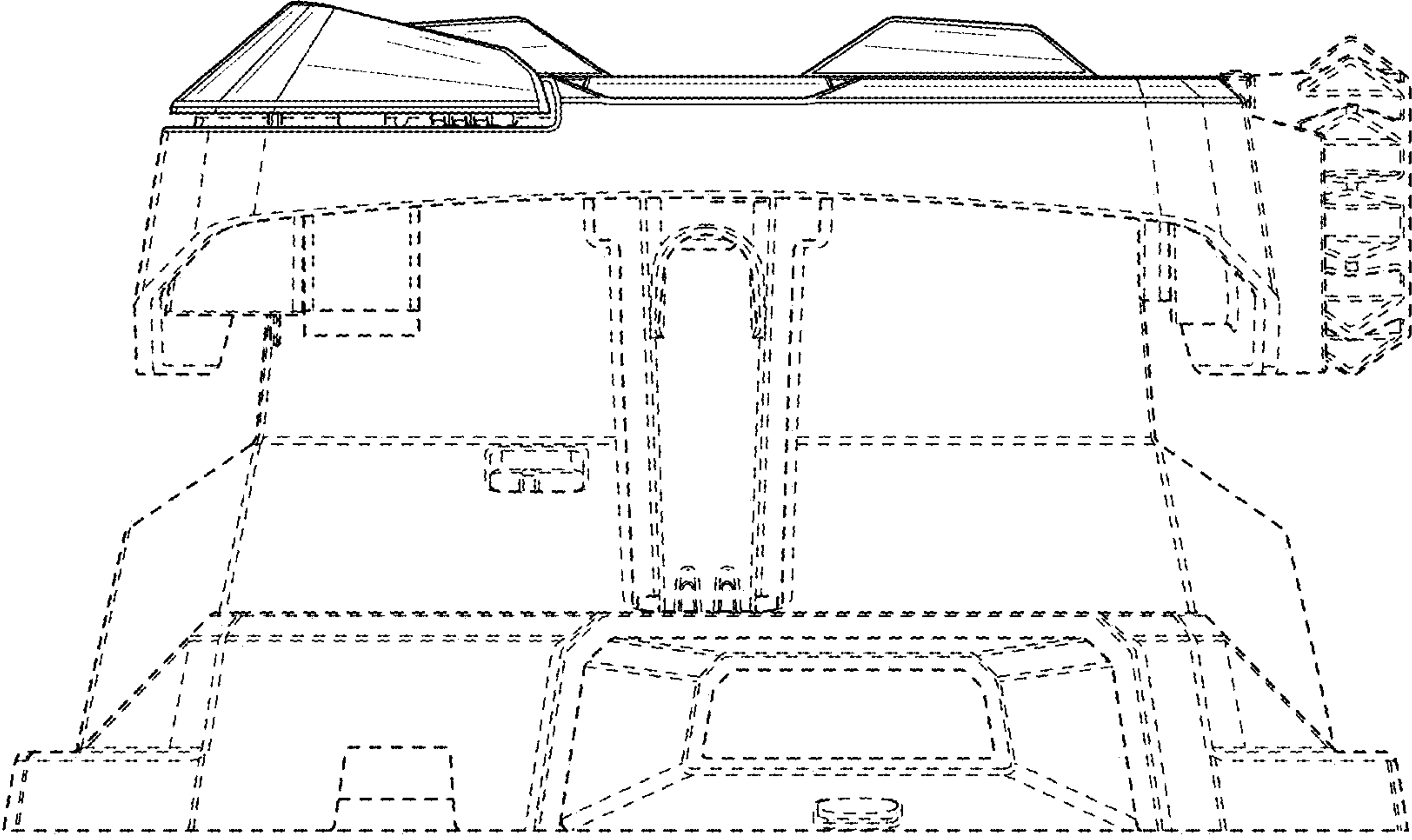


FIG. 3

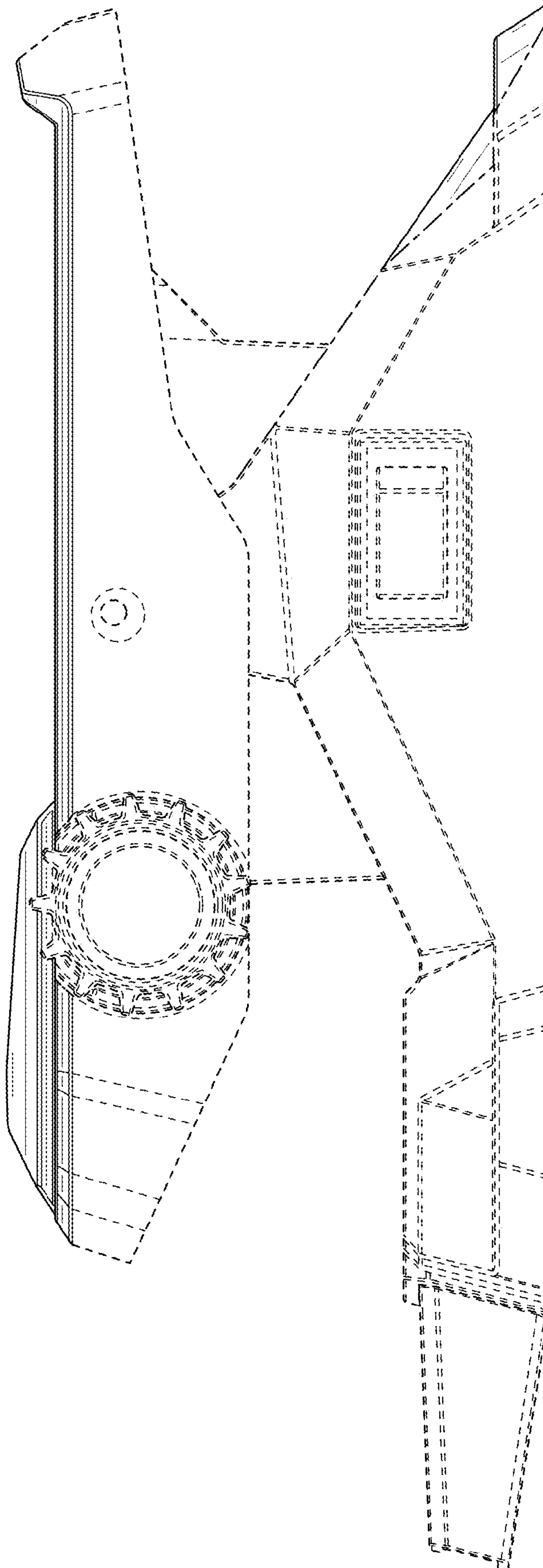


FIG. 4

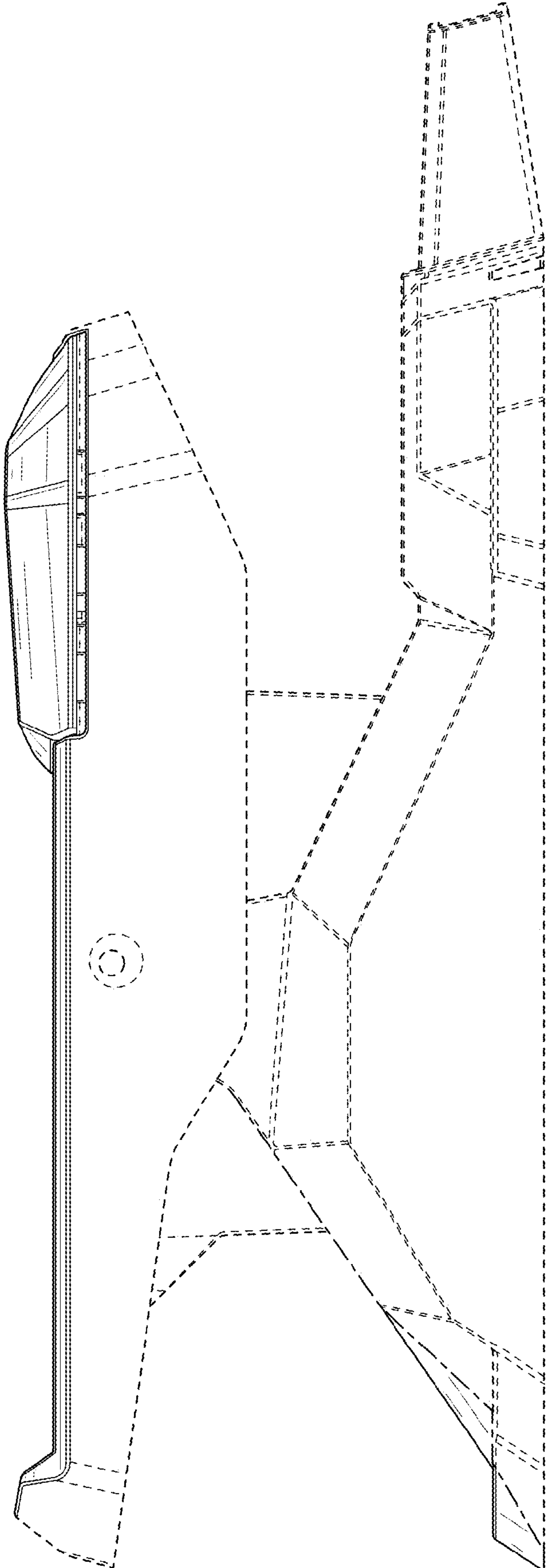


FIG. 5

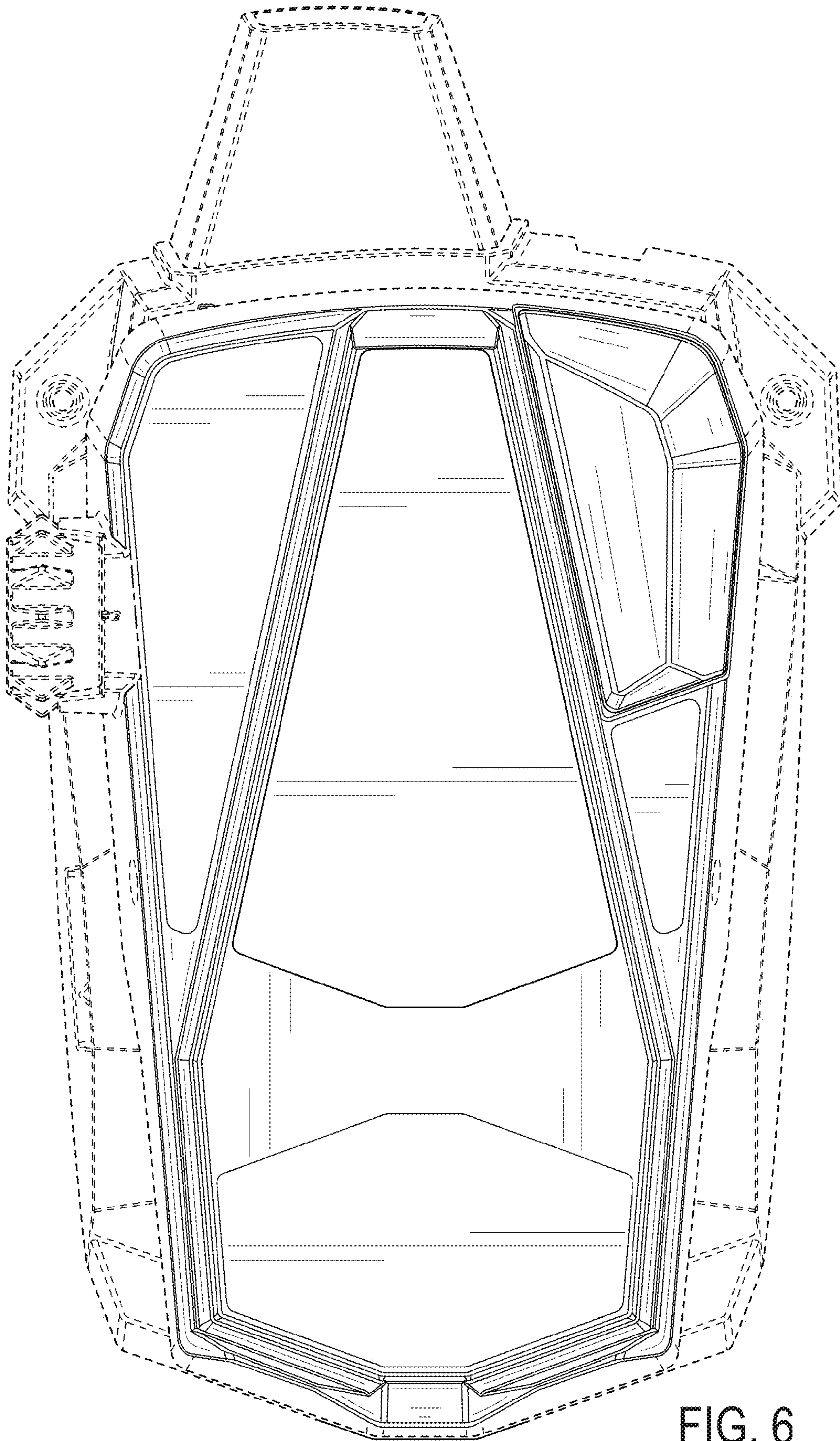


FIG. 6

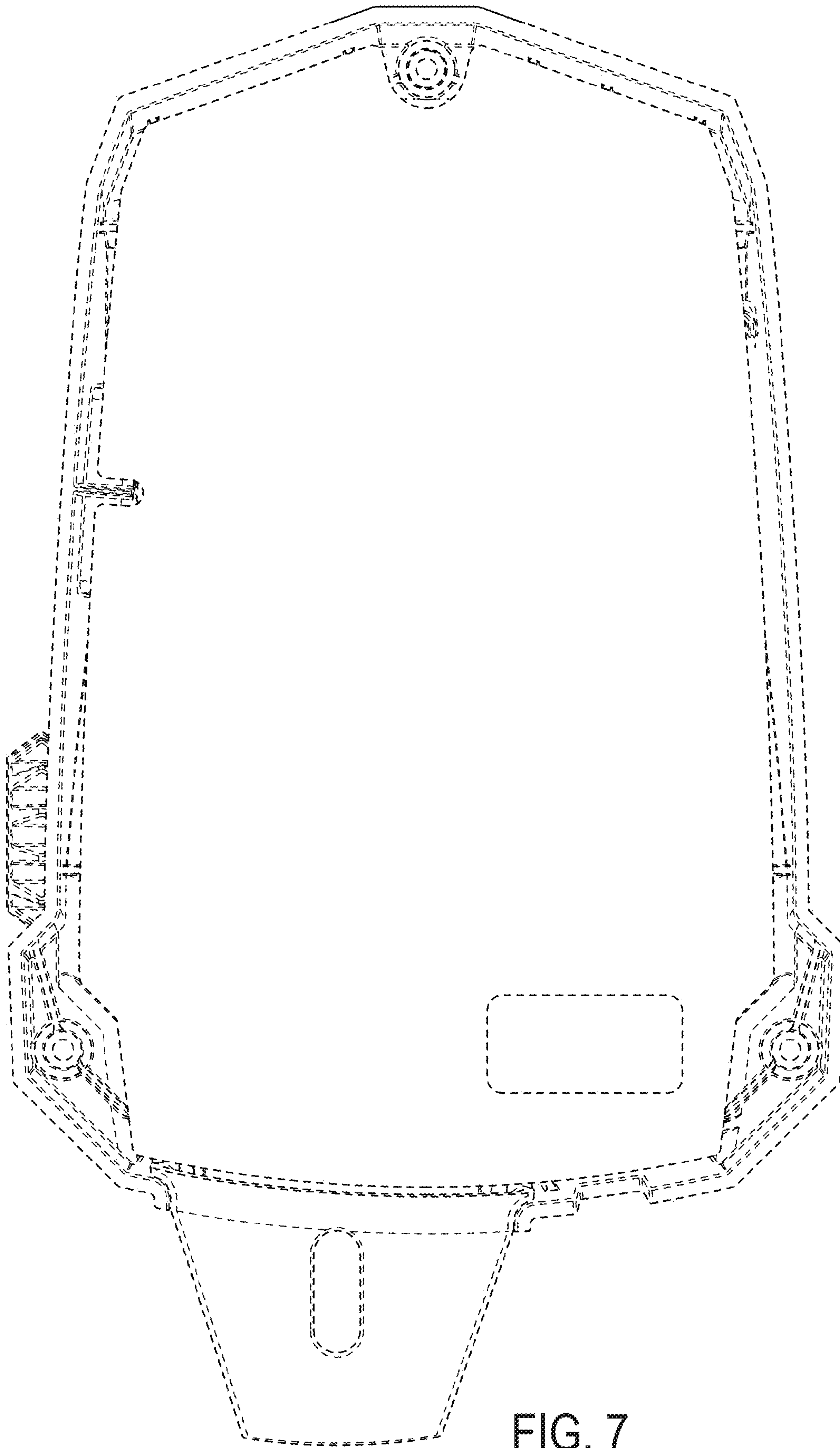


FIG. 7

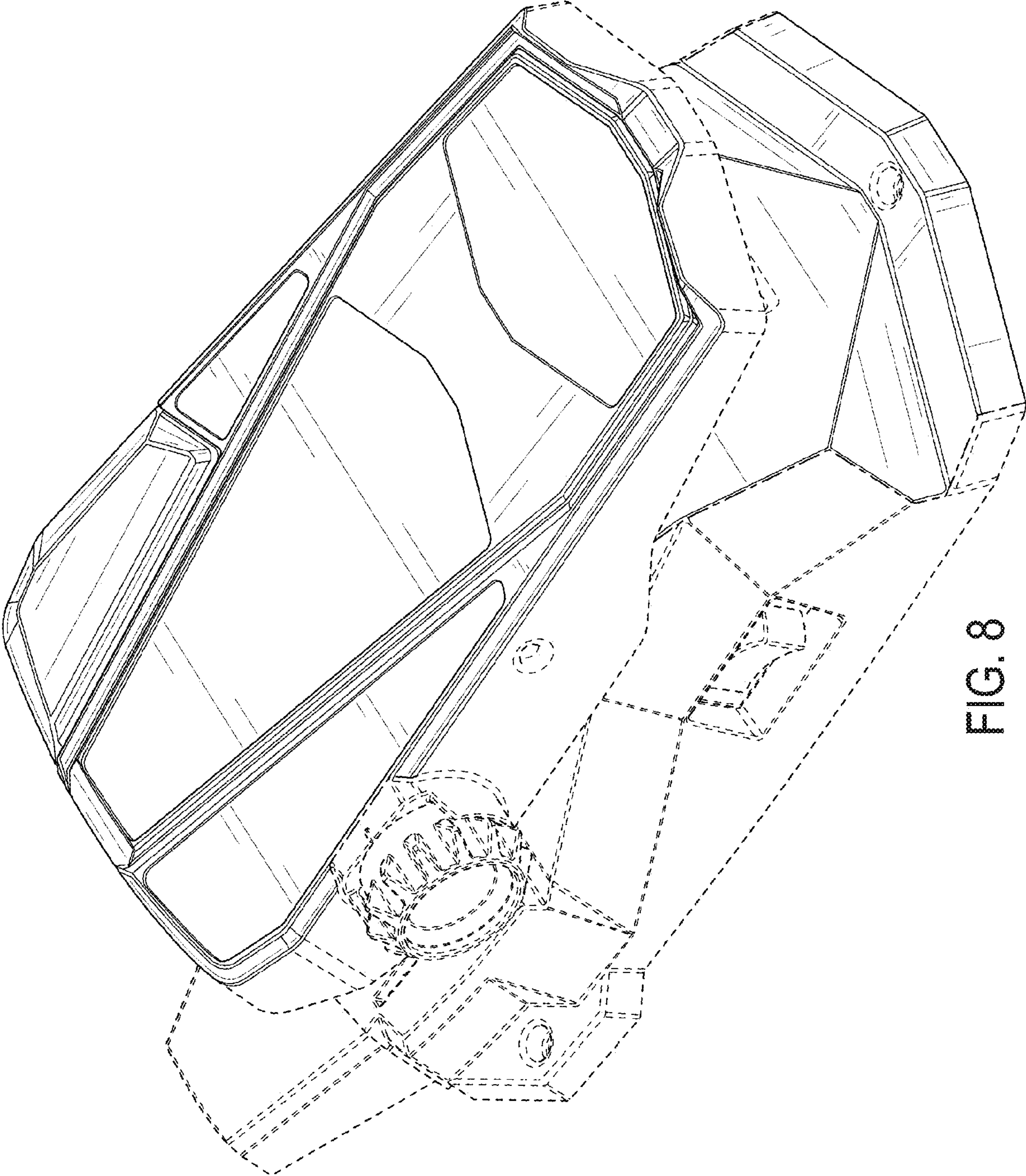


FIG. 8

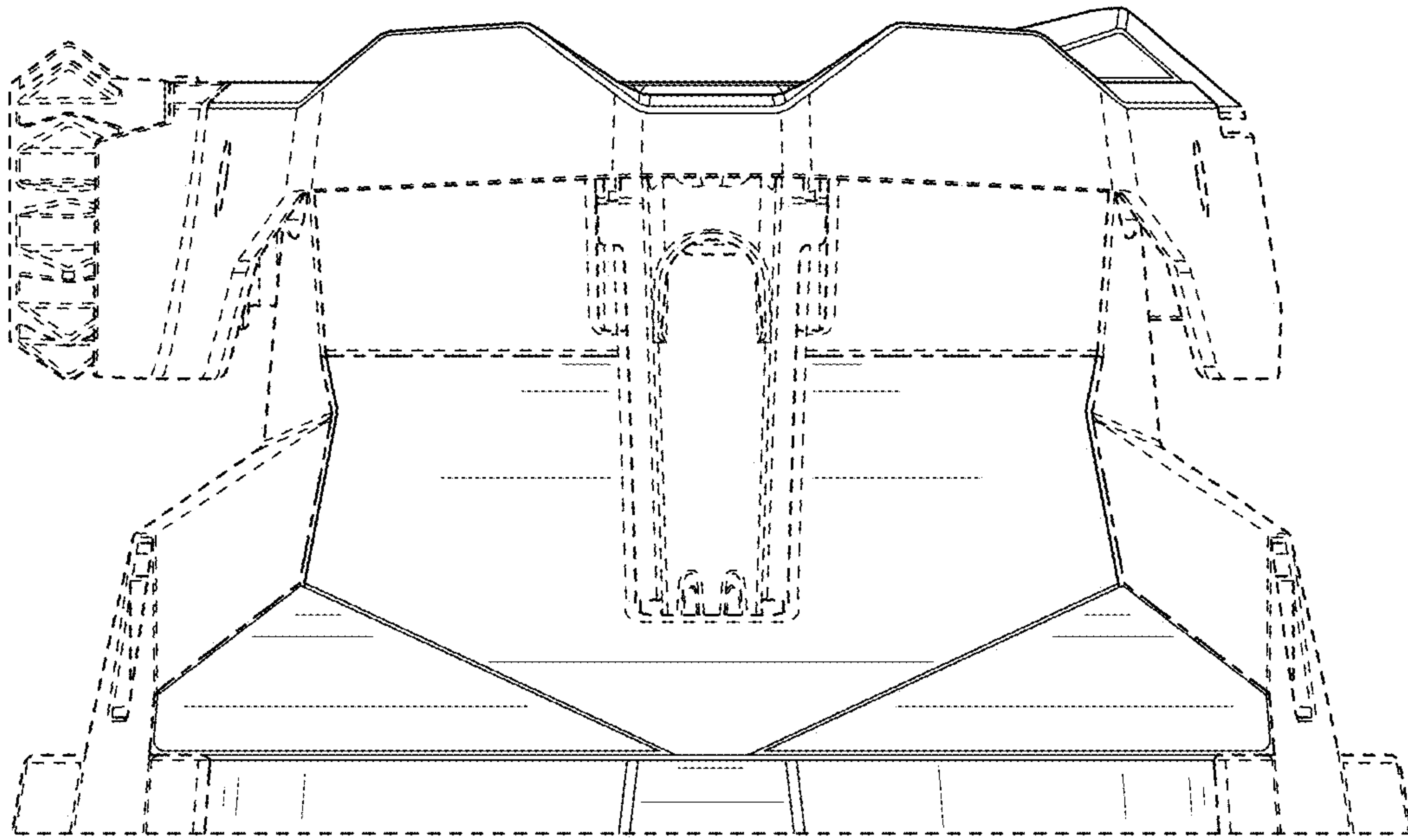


FIG. 9

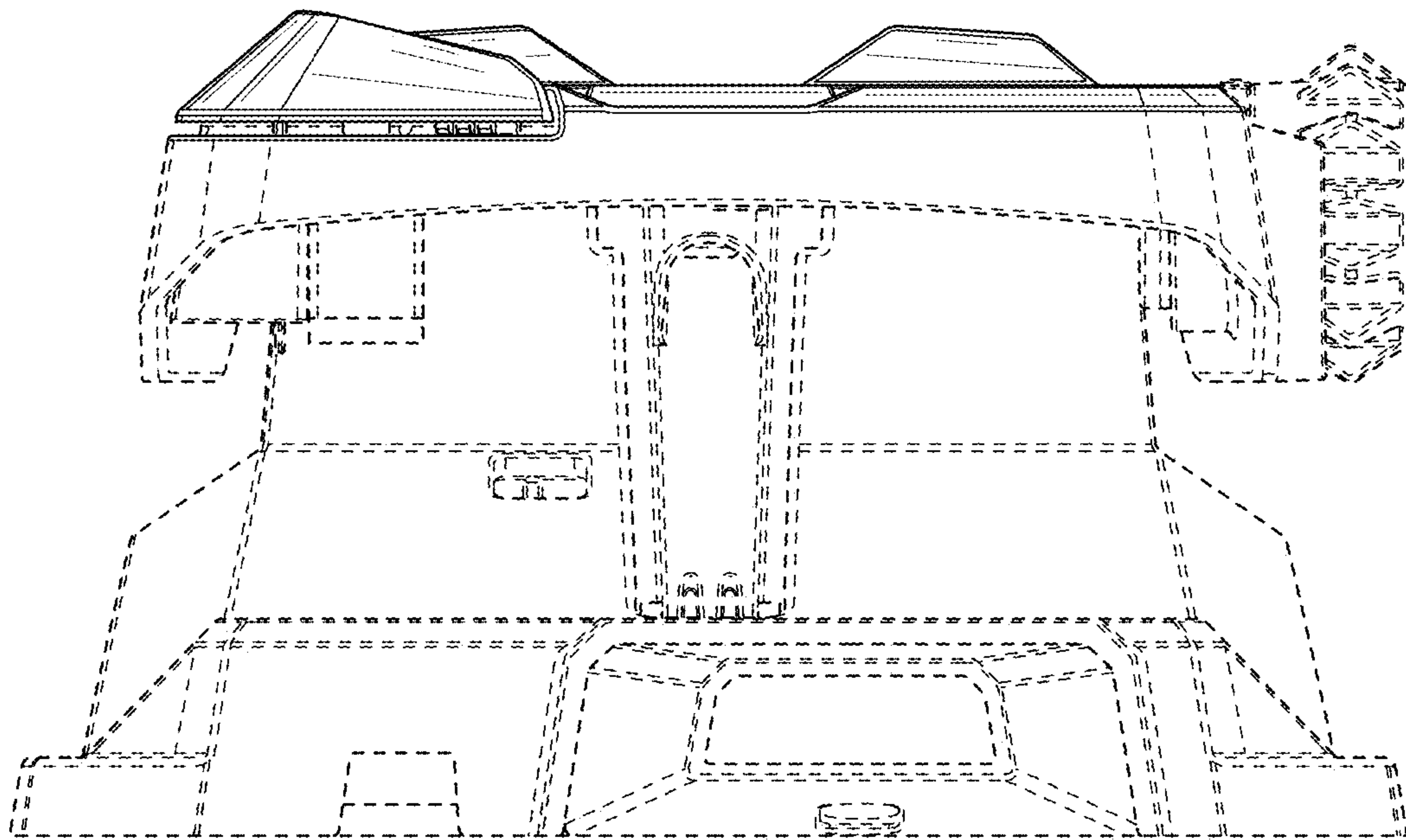


FIG. 10

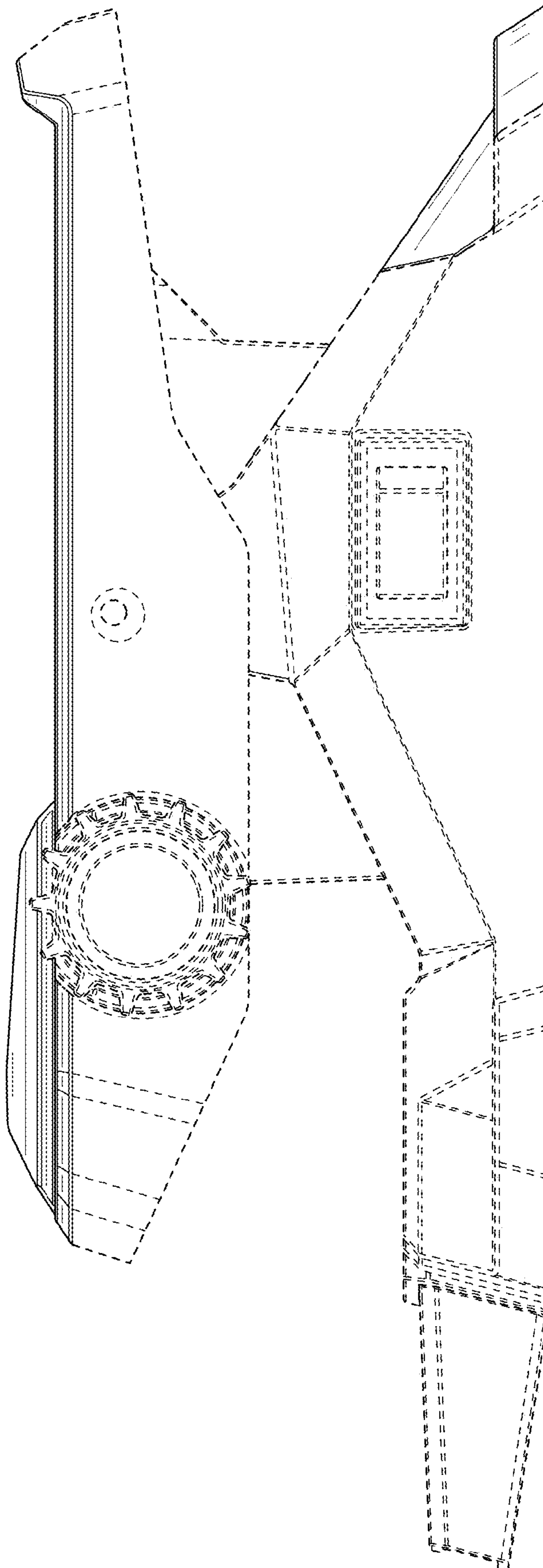


FIG. 11

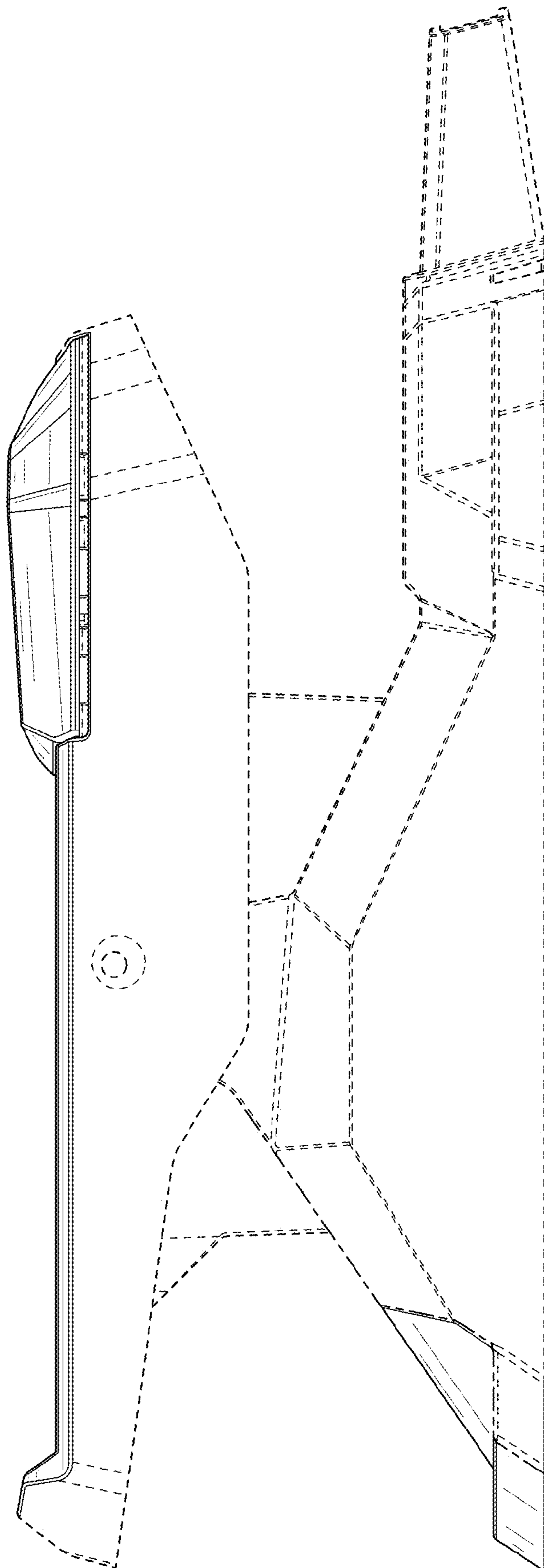


FIG. 12

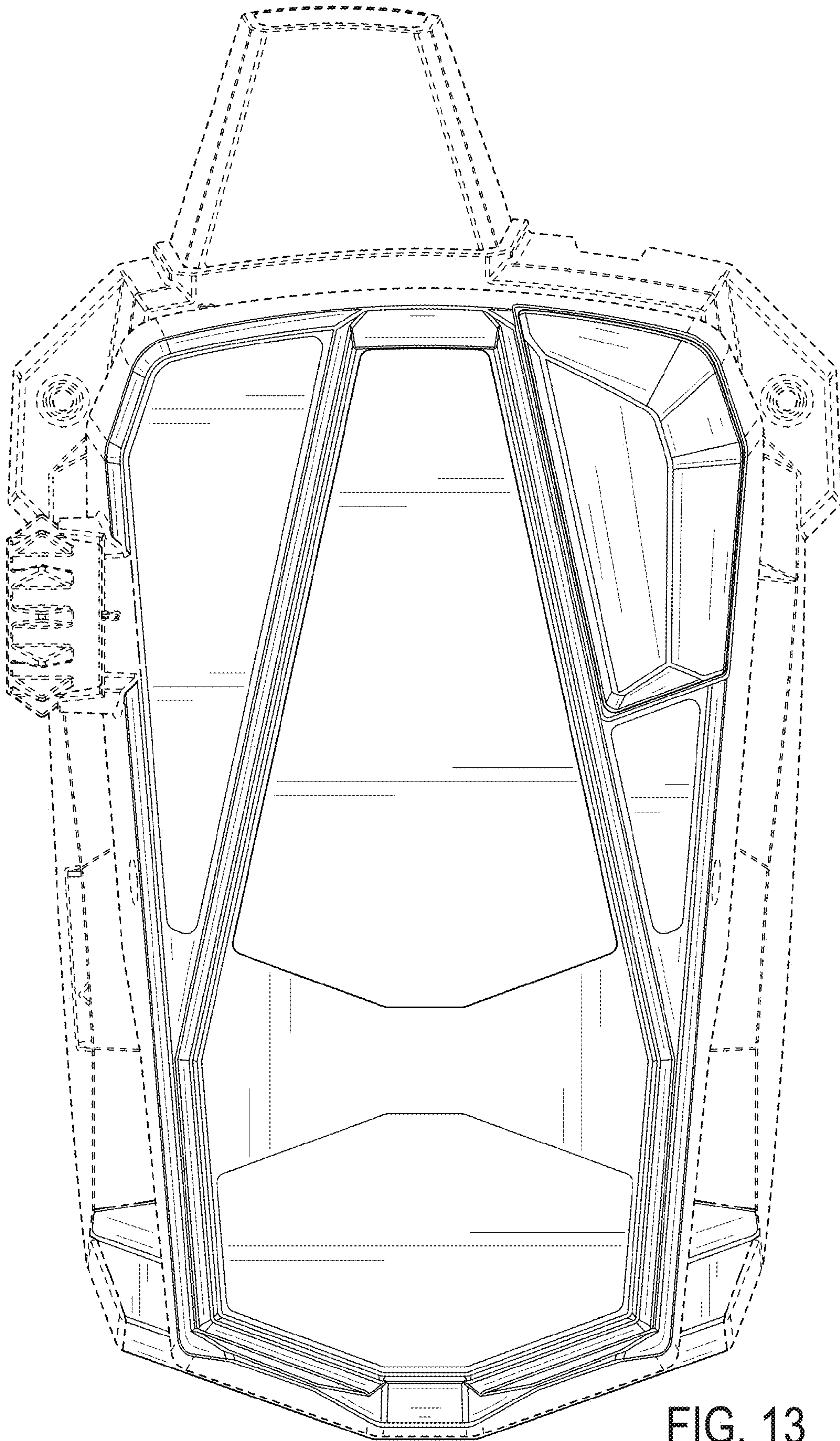


FIG. 13

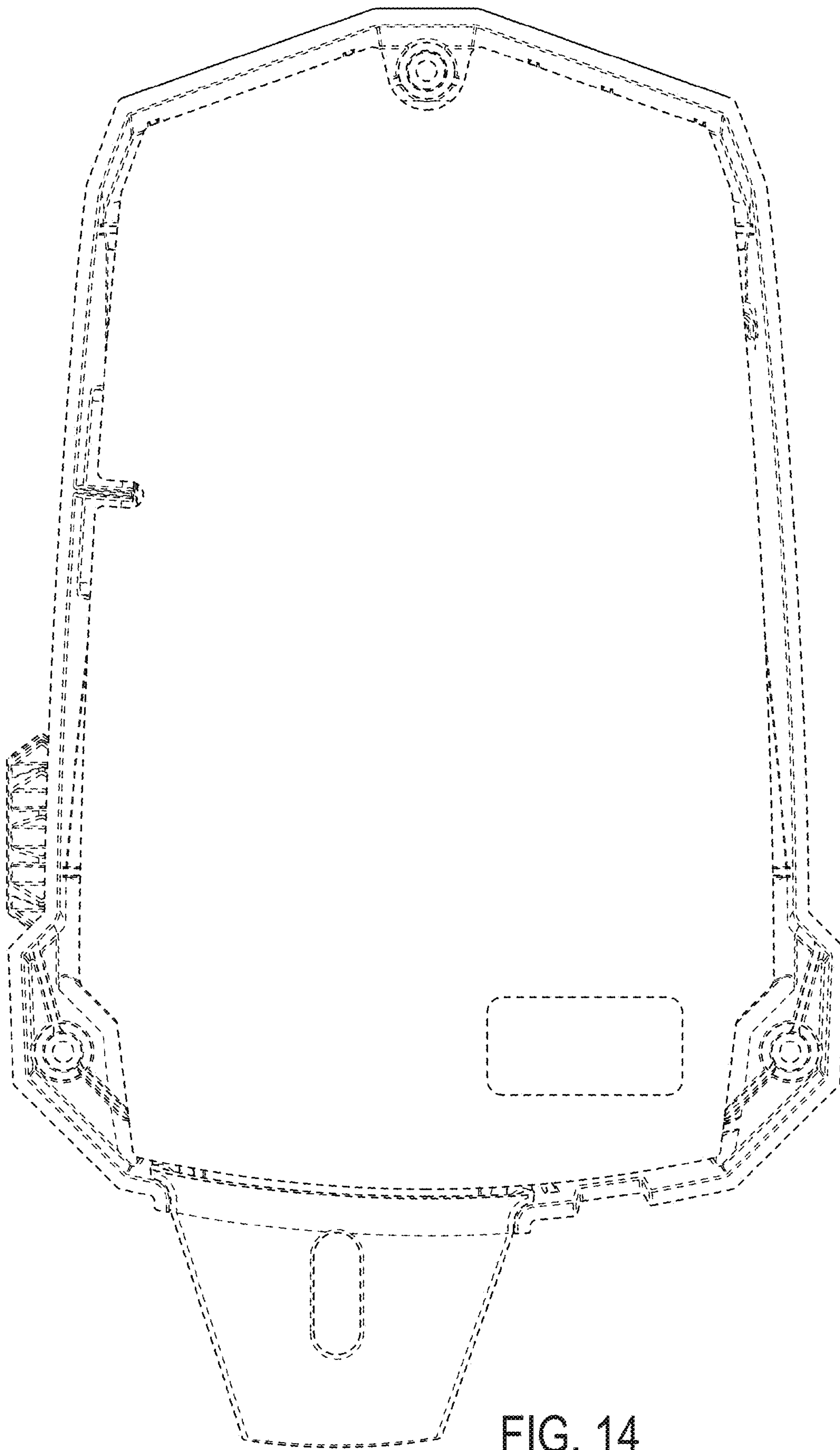


FIG. 14

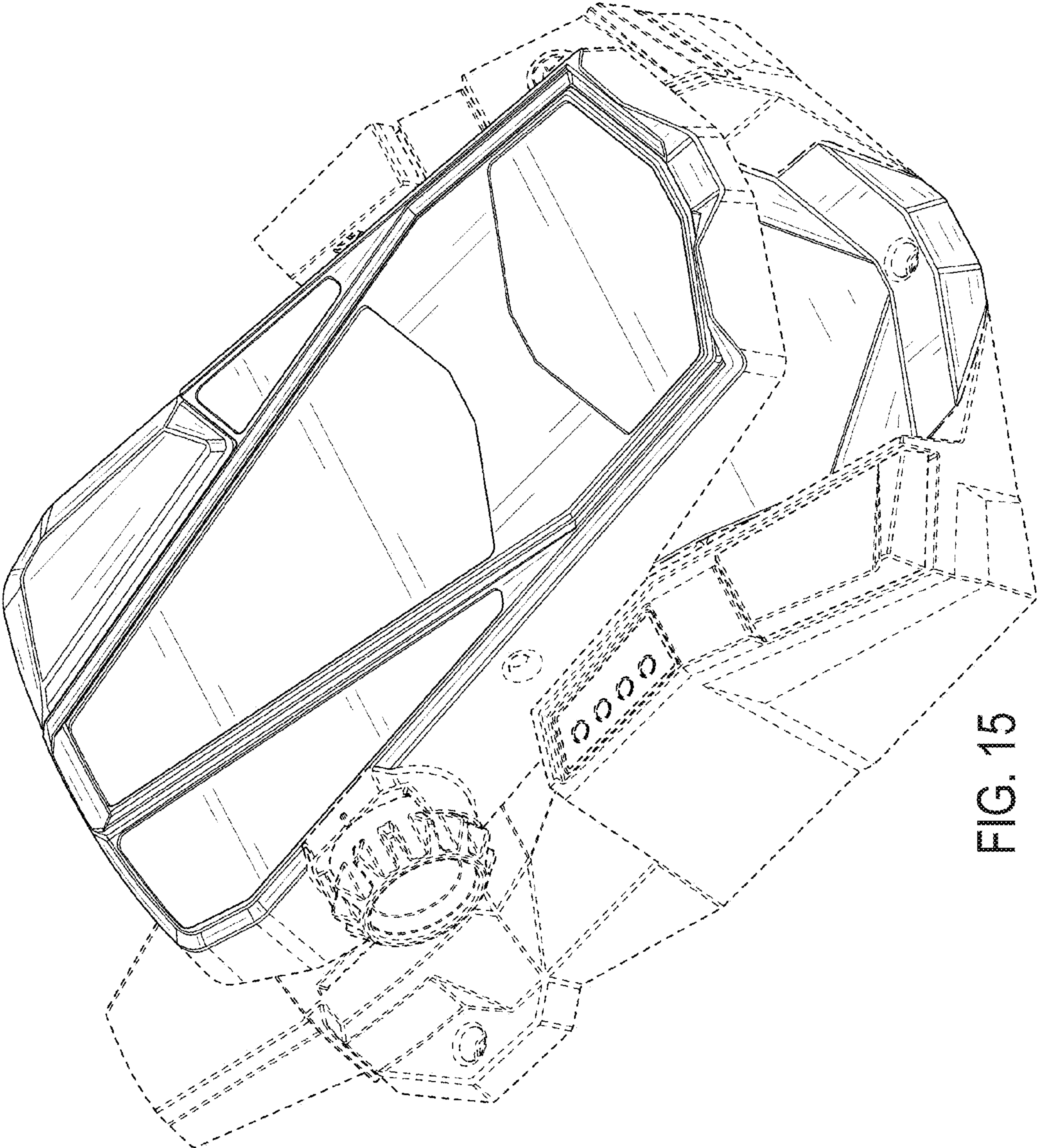


FIG. 15

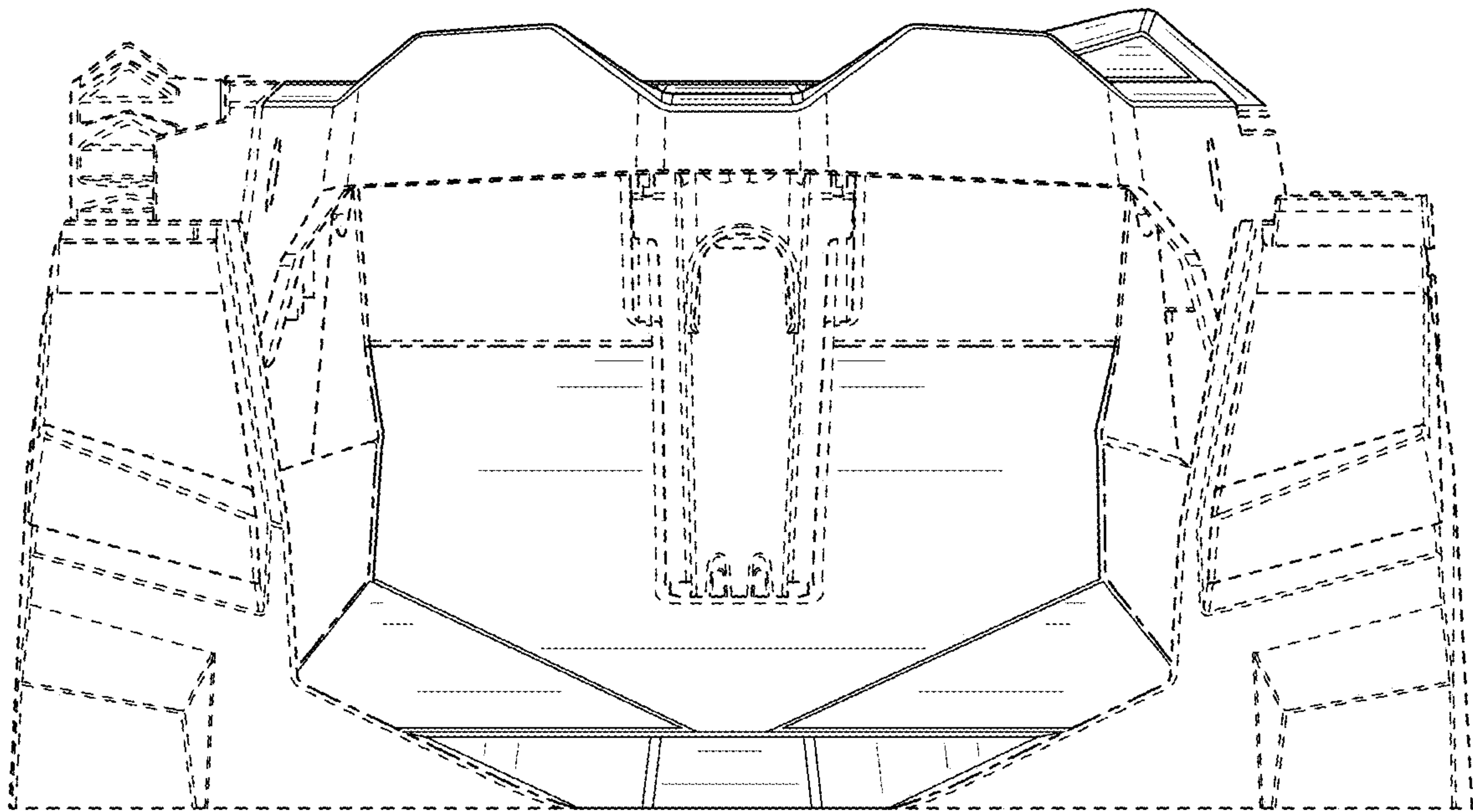


FIG. 16

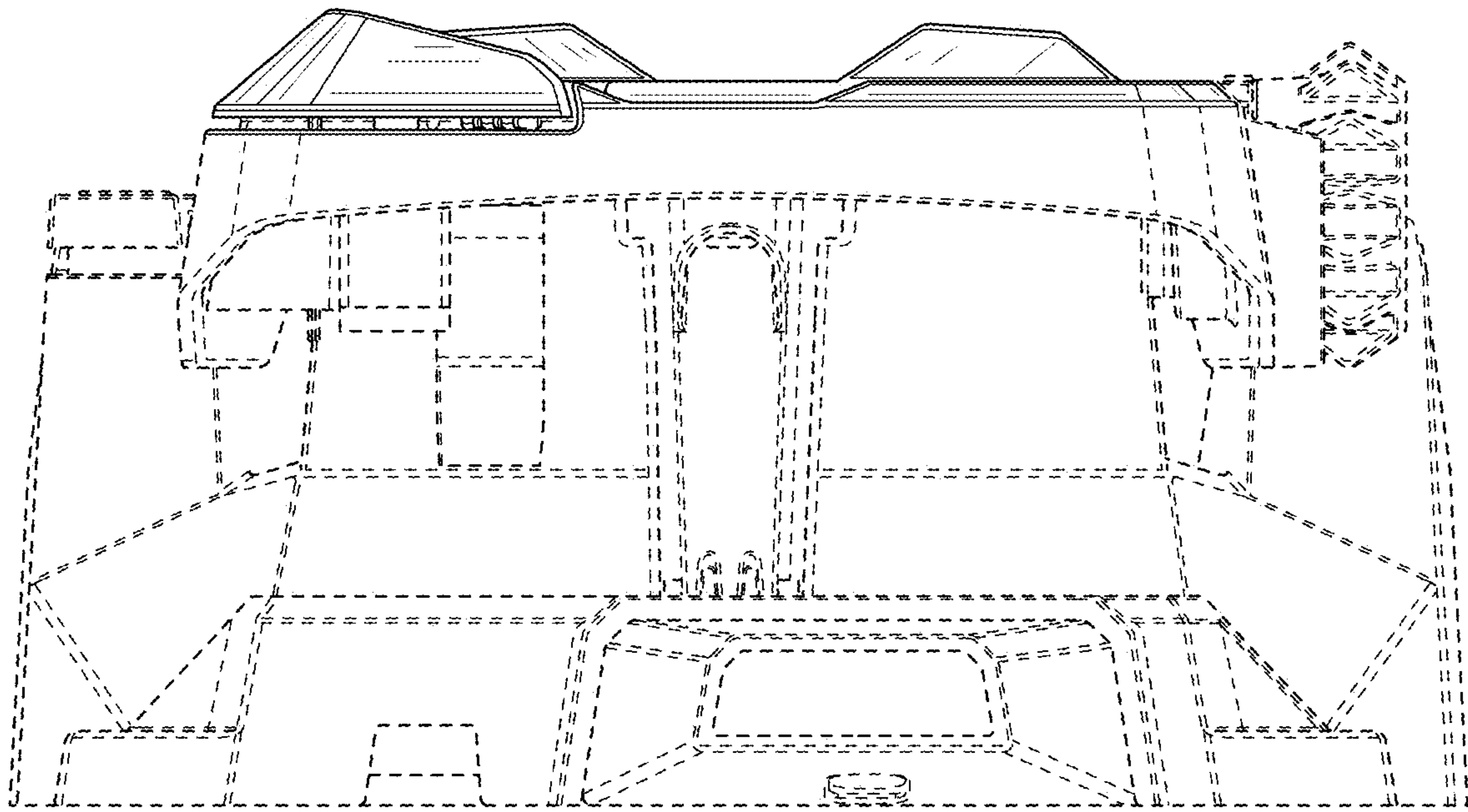


FIG. 17

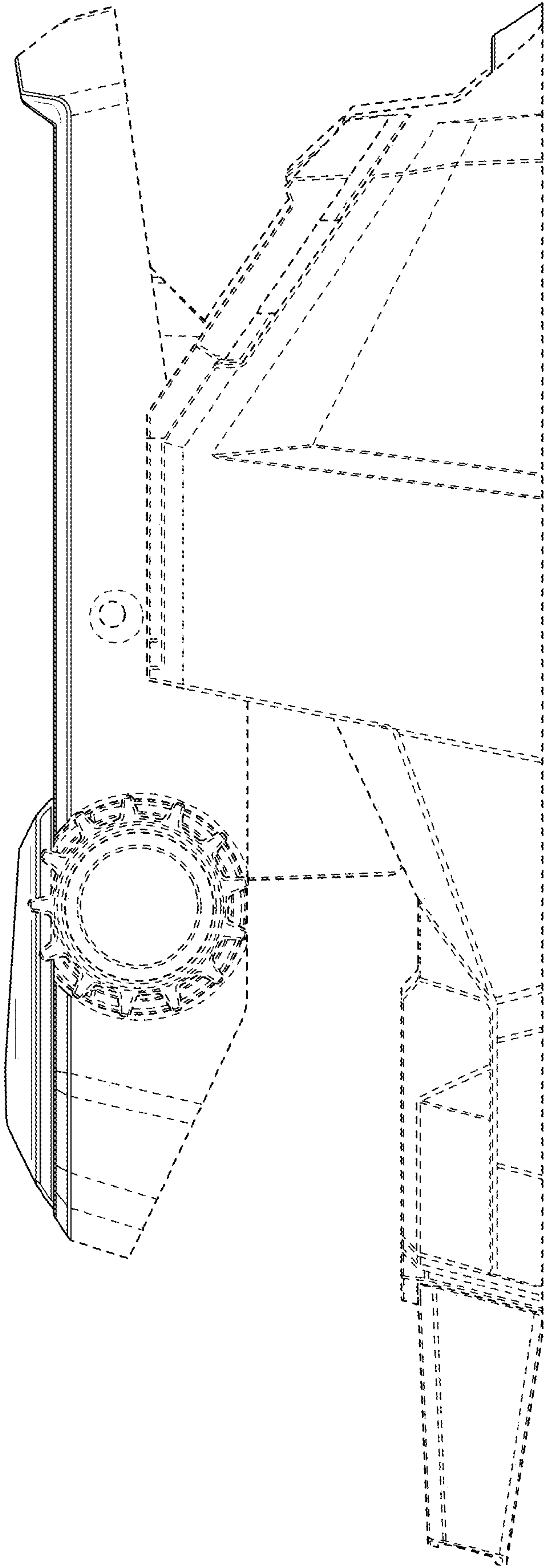


FIG. 18

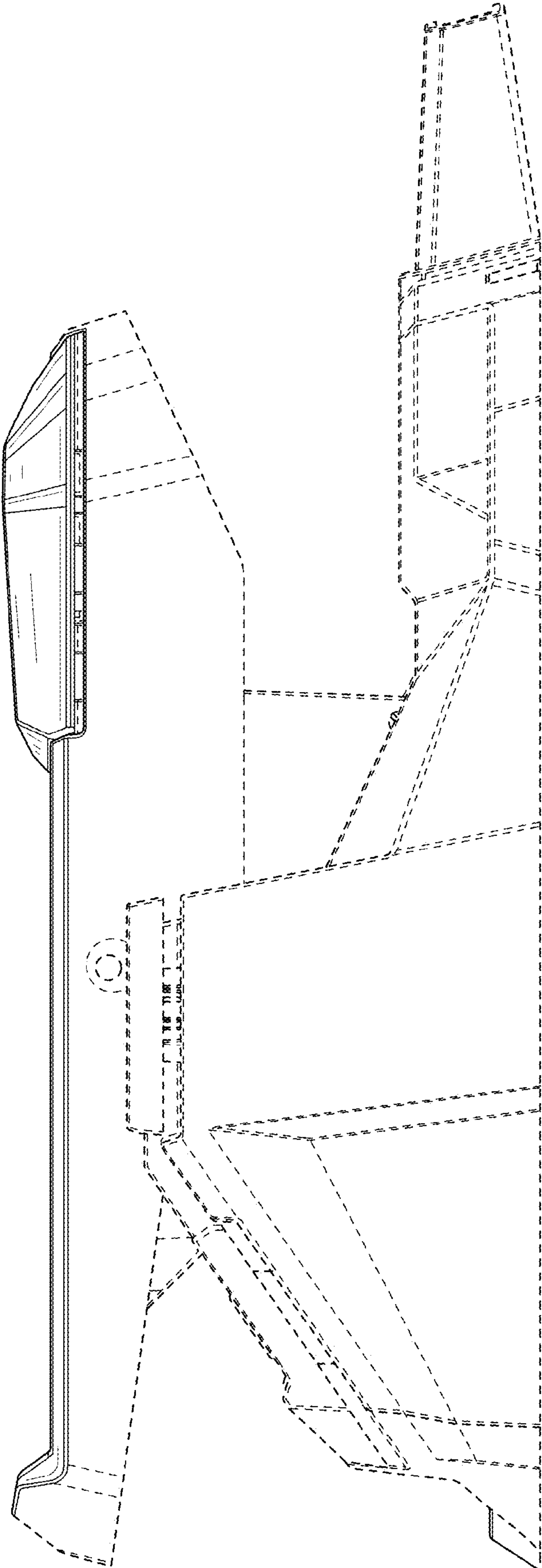


FIG. 19

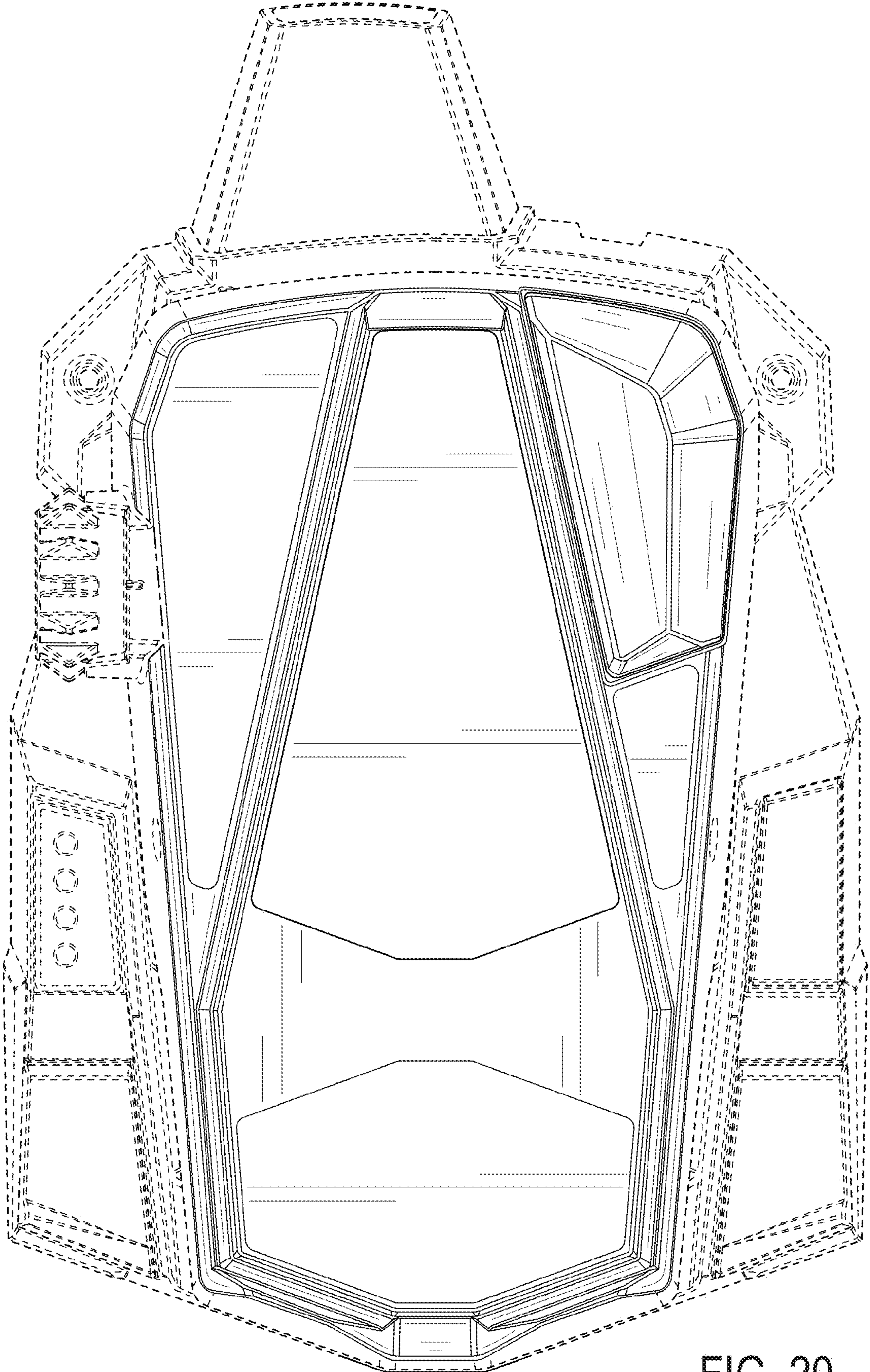


FIG. 20

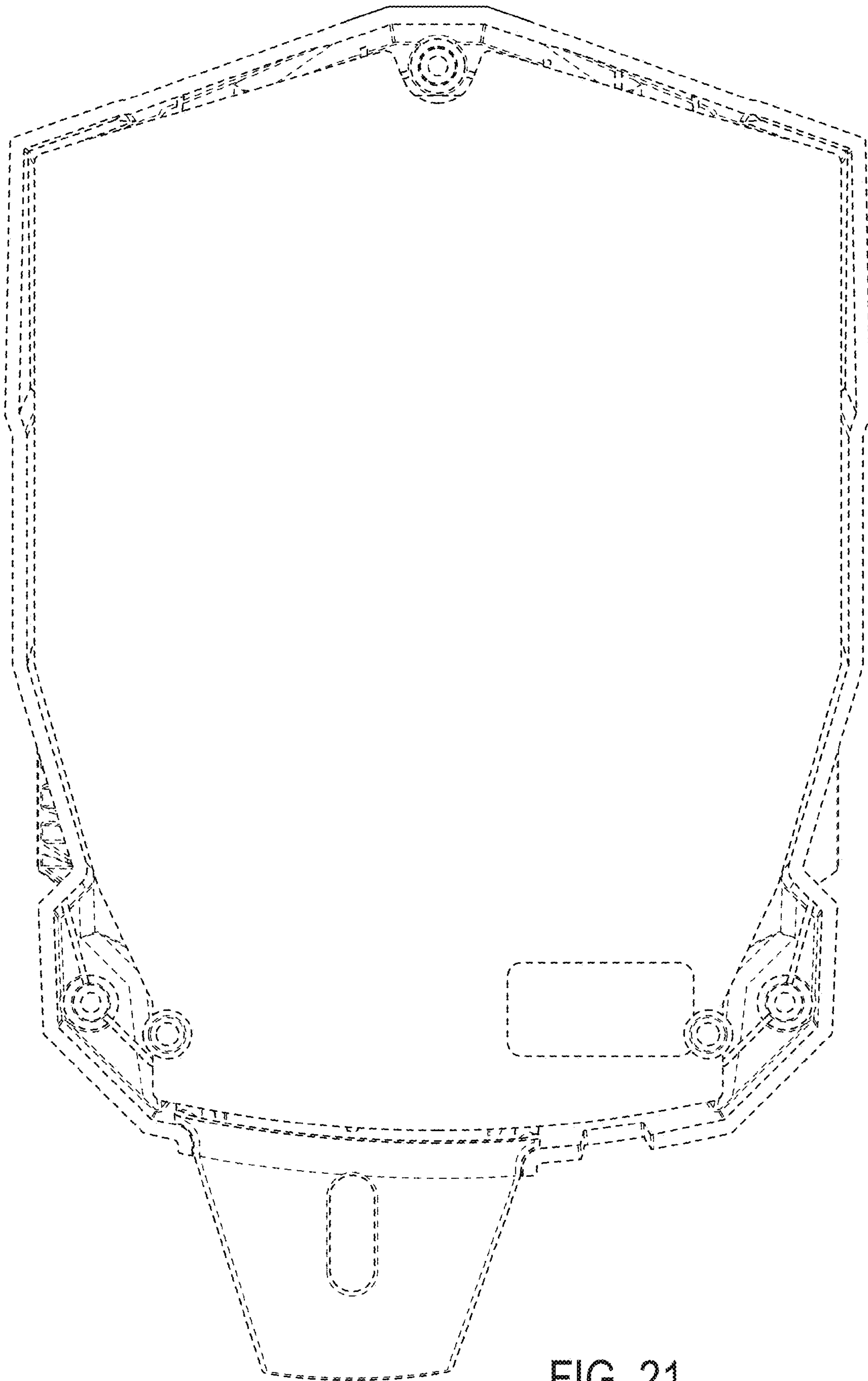


FIG. 21