

US00D943612S

(12) **United States Design Patent** (10) **Patent No.:** **US D943,612 S**
Lockley et al. (45) **Date of Patent:** **** Feb. 15, 2022**

(54) **DISPLAY SCREEN OR PORTION THEREOF WITH GRAPHICAL USER INTERFACE**

(71) Applicant: **Timeshifter, Inc.**, Southampton, NY (US)

(72) Inventors: **Steven Lockley**, Somerville, MA (US); **Tony Hanna**, Copenhagen (DK); **Jacob Ravn**, Hammenhoeg (SE); **Mickey Beyer-Clausen**, Southampton, NY (US)

(73) Assignee: **Timeshifter, Inc.**, Southampton, NY (US)

(**) Term: **15 Years**

(21) Appl. No.: **29/788,830**

(22) Filed: **Aug. 3, 2021**

Related U.S. Application Data

(62) Division of application No. 29/663,981, filed on Sep. 20, 2018, now Pat. No. Des. 926,778.

(51) **LOC (13) Cl.** **14-04**

(52) **U.S. Cl.**
USPC **D14/485**; D14/492

(58) **Field of Classification Search**
USPC D14/485-495; D20/10, 11, 22-33, 39, D20/40

CPC G06F 3/048-04897; G06F 19/3406; G06F 15/0266; A61M 21/00; G16H 10/20; G16H 20/30; A61B 5/02; F24F 11/001; F24F 11/008; G05B 15/02

See application file for complete search history.

(56) **References Cited**

U.S. PATENT DOCUMENTS

D755,827 S * 5/2016 Anzures D14/486
D777,208 S * 1/2017 Oh D14/492

D795,288 S * 8/2017 McColl D14/488
D827,661 S * 9/2018 Pirklbauer D14/486
10,386,999 B2 * 8/2019 Burns G06F 3/0482
D867,388 S * 11/2019 Lee D14/486
D870,133 S * 12/2019 Desch D14/486
D897,362 S * 9/2020 Lockley D14/486
D921,012 S * 6/2021 Connors D14/485
D926,778 S * 8/2021 Lockley D14/485
2016/0269540 A1 * 9/2016 Butcher G06F 3/015
2018/0335939 A1 * 11/2018 Karunamuni G06F 9/445
2019/0366032 A1 * 12/2019 Lockley A61M 21/02

OTHER PUBLICATIONS

Twitter post entitled "The biggest hassle about traveling, soon doesn't need to be a hassle anymore!" 1 page, posted Aug. 24, 2017 by user "@timeshifterapp". Retrieved from Internet: <https://twitter.com/timeshifterapp/status/900762769925996548> (Year: 2017).*

(Continued)

Primary Examiner — Ian F Whitmore

(74) *Attorney, Agent, or Firm* — Daniel C. Pierron; Widerman Malek, PL

(57) **CLAIM**

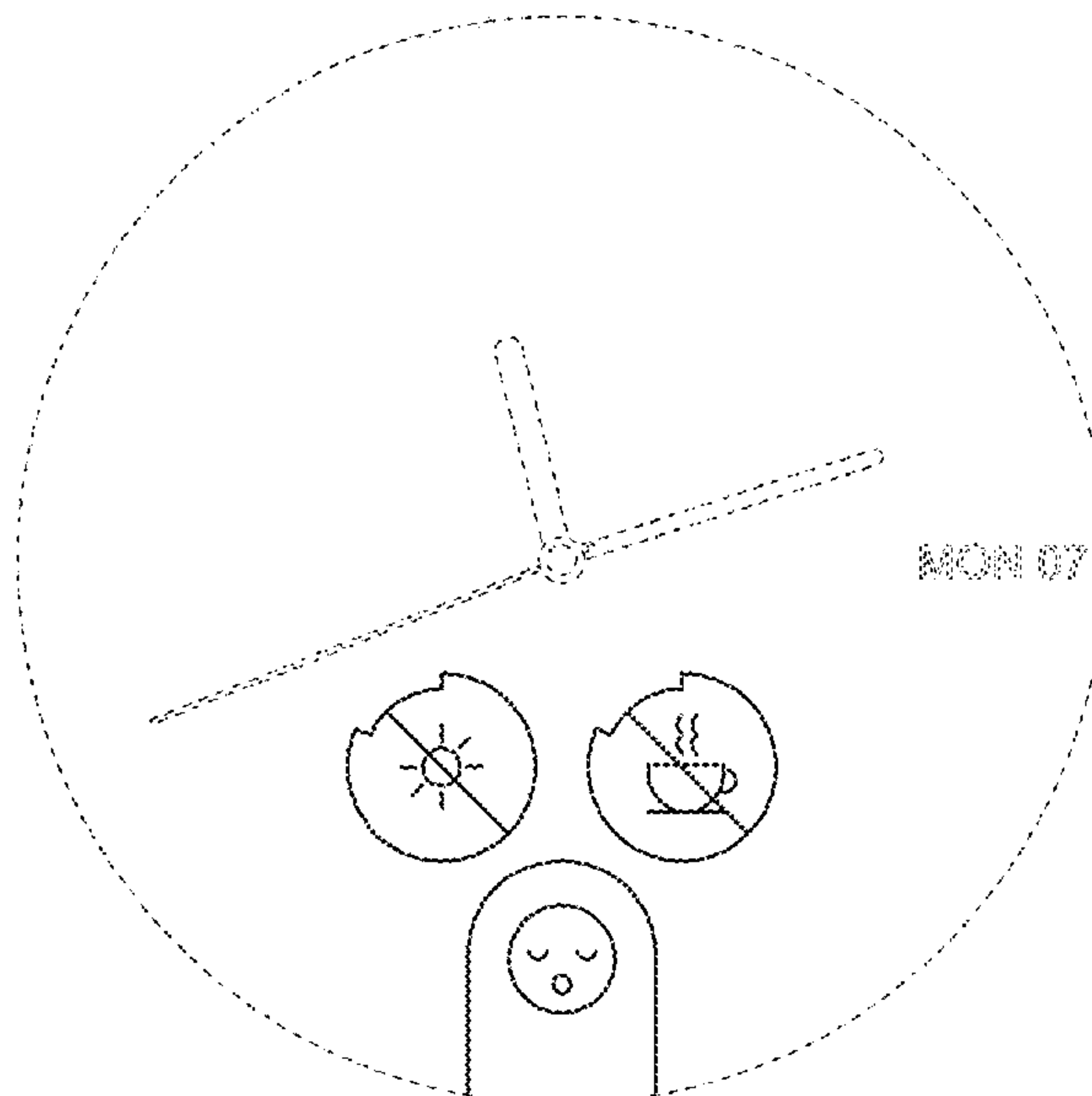
The ornamental design for a display screen or portion thereof with graphical user interface, as shown and described.

DESCRIPTION

The FIGURE is a front view of a display screen or portion thereof with a graphical user interface according to the claimed design.

The dashed broken lines depict portions of the graphical user interface and form no part of the claimed design. The dot-dash broken line depicts the perimeter of a display screen or portion thereof and forms no part of the claimed design.

1 Claim, 1 Drawing Sheet



(56)

References Cited

OTHER PUBLICATIONS

Timeshifter® for PC-Windows 7,8,10 and Mac, apkforpc.us [online], published on Jun. 21, 2018, [retrieved on Jan. 28, 2021], retrieved from the Internet <URL: www.apkforpc.us/timeshifter®-for-pc-windows-7810-and-mac-apk/com.timeshifter.timeshifter.html> (Year: 2018).*

U.S. Appl. No. 29/663,981, filed Sep. 20, 2018.

* cited by examiner

