



US00D943598S

(12) **United States Design Patent** (10) **Patent No.:** **US D943,598 S**
Kim et al. (45) **Date of Patent:** **** Feb. 15, 2022**

(54) **STAND FOR MONITOR**

(71) Applicant: **LG ELECTRONICS INC.**, Seoul (KR)
 (72) Inventors: **Yeonjin Kim**, Seoul (KR); **Daihyung Ryu**, Seoul (KR); **Seokkyu Kang**, Seoul (KR); **Yongsoo Kim**, Seoul (KR)
 (73) Assignee: **LG ELECTRONICS INC.**, Seoul (KR)

(**) Term: **15 Years**

(21) Appl. No.: **35/510,579**

(22) Filed: **Apr. 10, 2020**

(80) **Hague Agreement Data**

Int. Filing Date: **Apr. 10, 2020**
 Int. Reg. No.: **DM/207788**
 Int. Reg. Date: **Apr. 10, 2020**
 Int. Reg. Pub. Date: **Oct. 16, 2020**

(30) **Foreign Application Priority Data**

Oct. 21, 2019 (KR) 30-2019-0049771

(51) **LOC (13) Cl.** **14-02**

(52) **U.S. Cl.**
USPC **D14/451**

(58) **Field of Classification Search**

USPC D14/126, 239, 336, 371-382, 448, 450,
 D14/451, 217, 316, 335, 340, 452;
 D21/329, 332, 515; D6/310, 312
 CPC G06F 1/16; G06F 1/1601; G06F 1/1637;
 H04N 5/64; H05K 5/0204; H05K 5/0004;
 H05K 5/0017; H05K 5/0217

See application file for complete search history.

(56) **References Cited**

U.S. PATENT DOCUMENTS

D710,357 S *	8/2014	Quijano	D14/374
D788,782 S *	6/2017	Lim	D14/451
D826,229 S *	8/2018	Teo	D14/374
D888,067 S *	6/2020	Seo	D14/451
D902,218 S *	11/2020	Lee	D14/451
D918,908 S *	5/2021	Kang	D14/375

* cited by examiner

Primary Examiner — Keli L Hill

(74) *Attorney, Agent, or Firm* — Birch, Stewart, Kolasch & Birch, LLP

(57) **CLAIM**

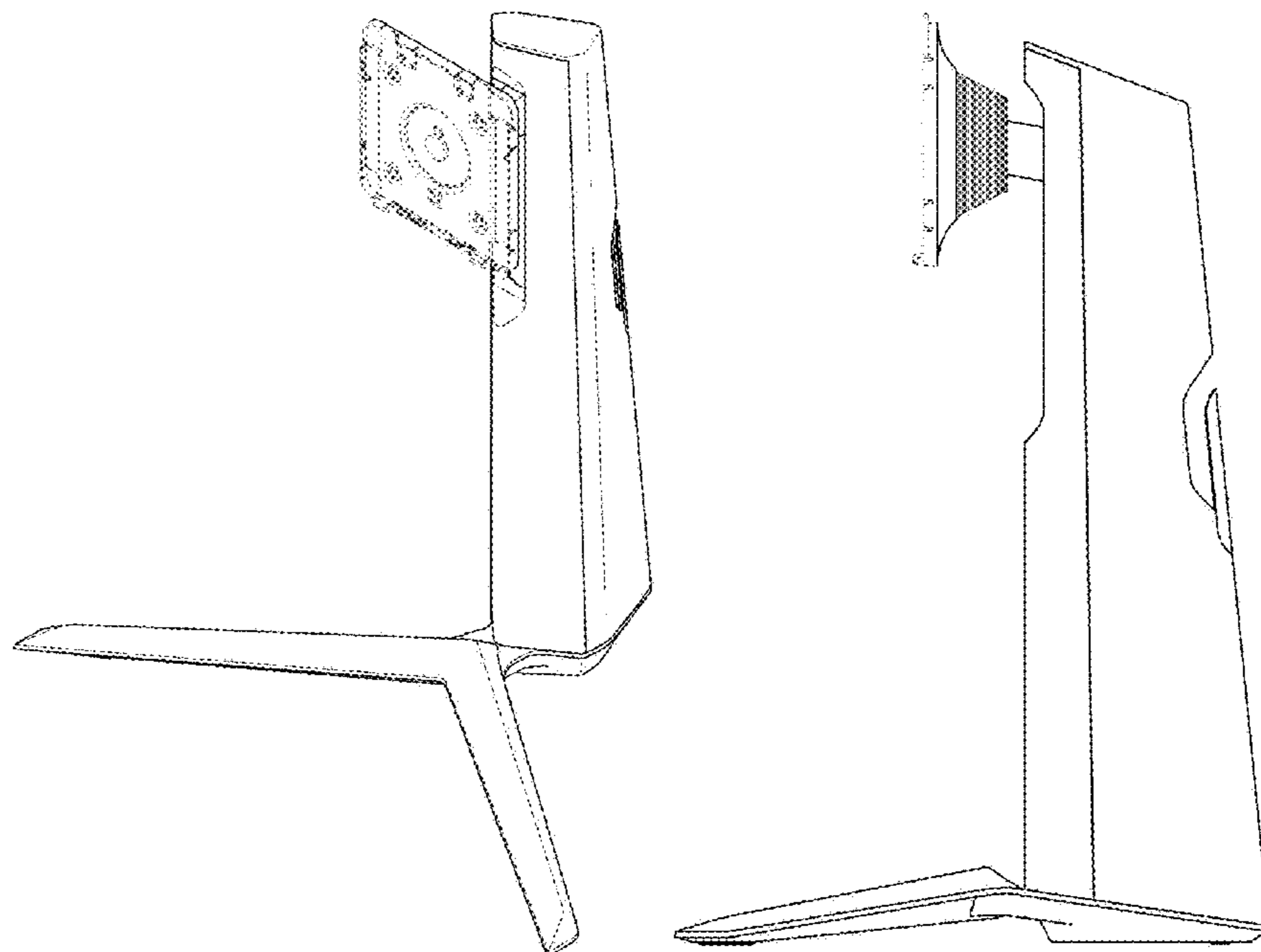
The ornamental design for a stand for monitor, as shown and described.

DESCRIPTION

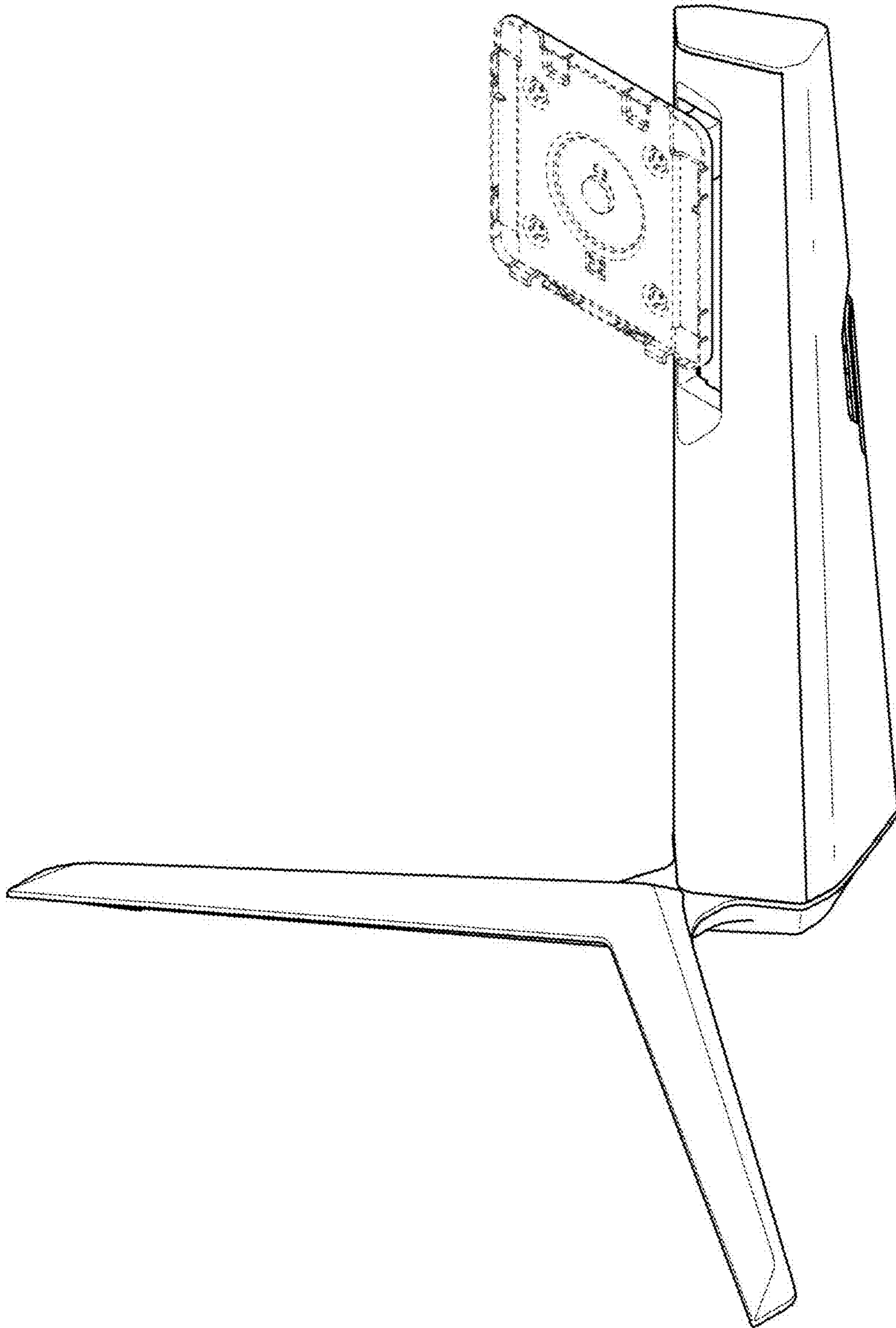
1. Stand for monitor
- 1.1 : Perspective
- 1.2 : Rear perspective view
- 1.3 : Front
- 1.4 : Back
- 1.5 : Left
- 1.6 : Right
- 1.7 : Top
- 1.8 : Bottom
- 1.9 : Reference

The broken lines indicate portions of the article and a monitor that form no part of the claimed design; reproduction 1.9 is a reference view showing a state which the subject design is installed on the monitor.

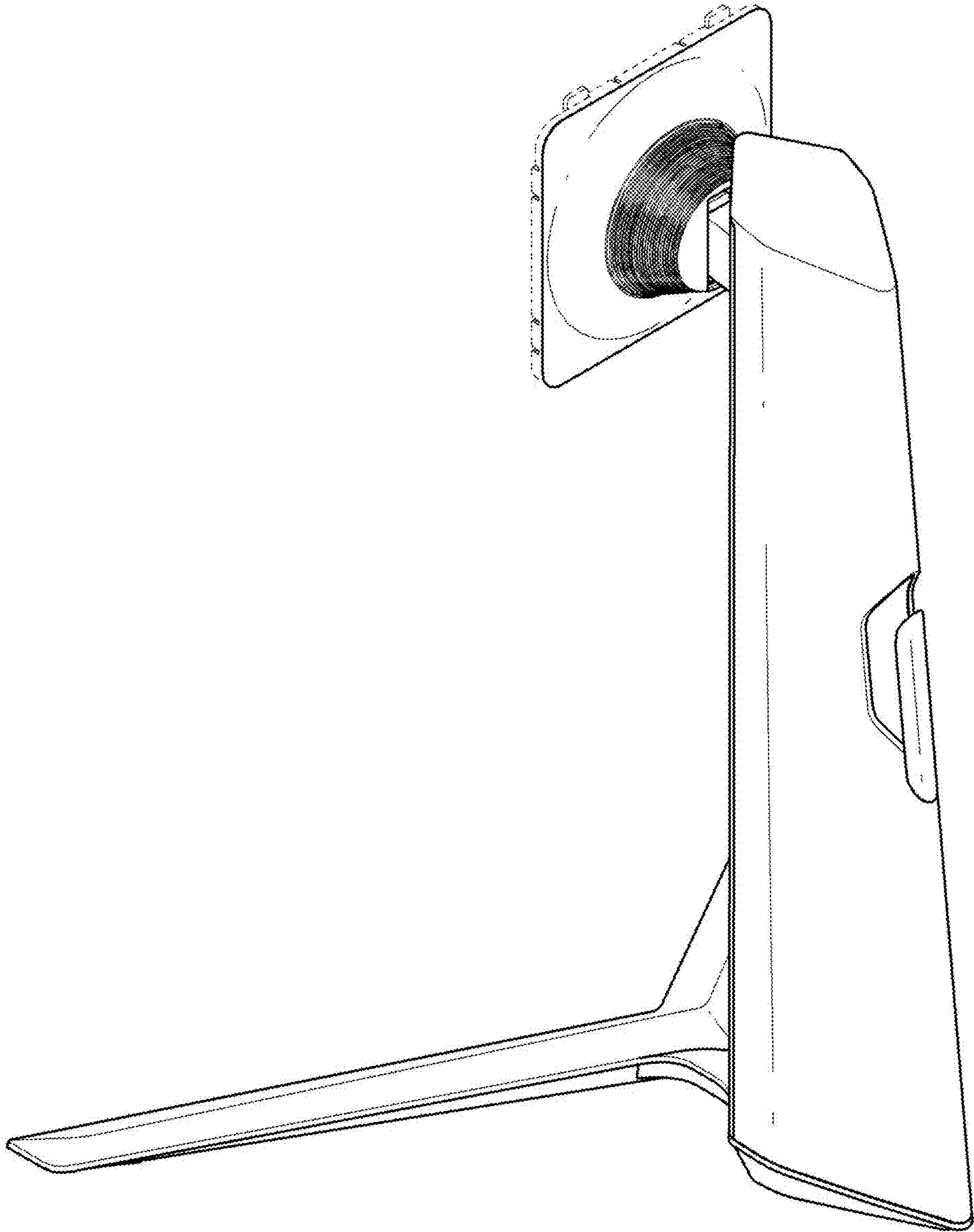
1 Claim, 9 Drawing Sheets



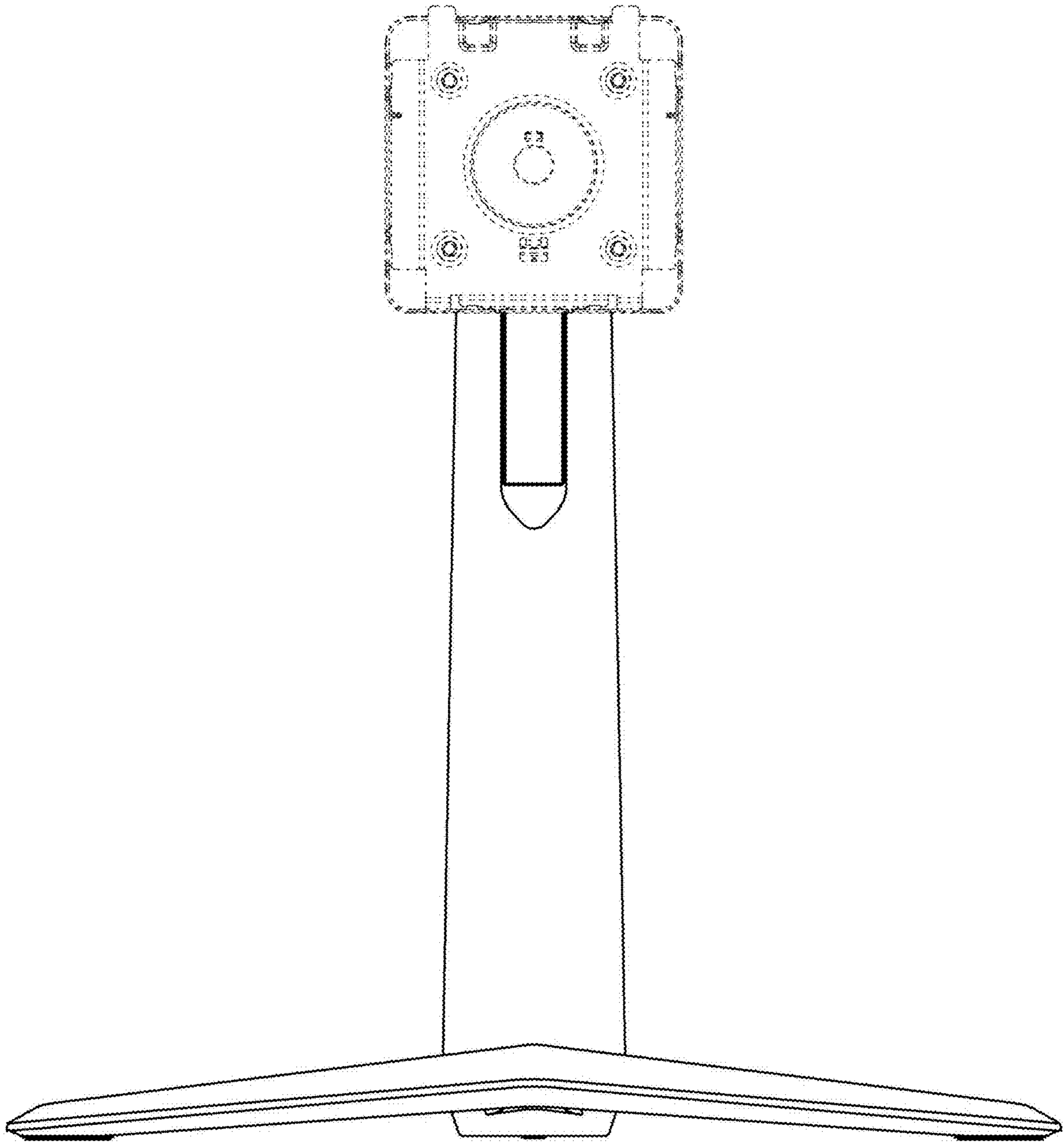
1.1



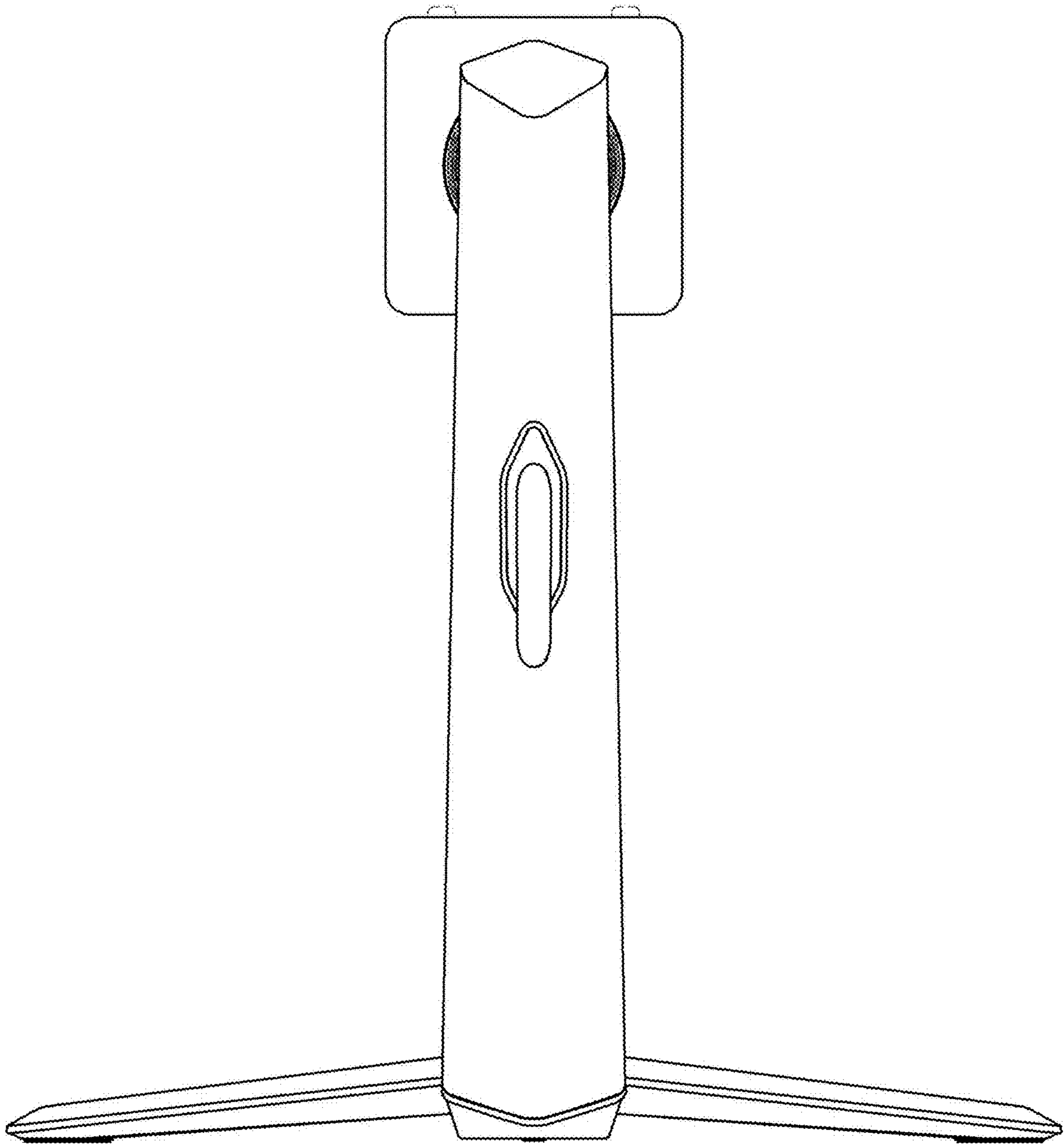
1.2



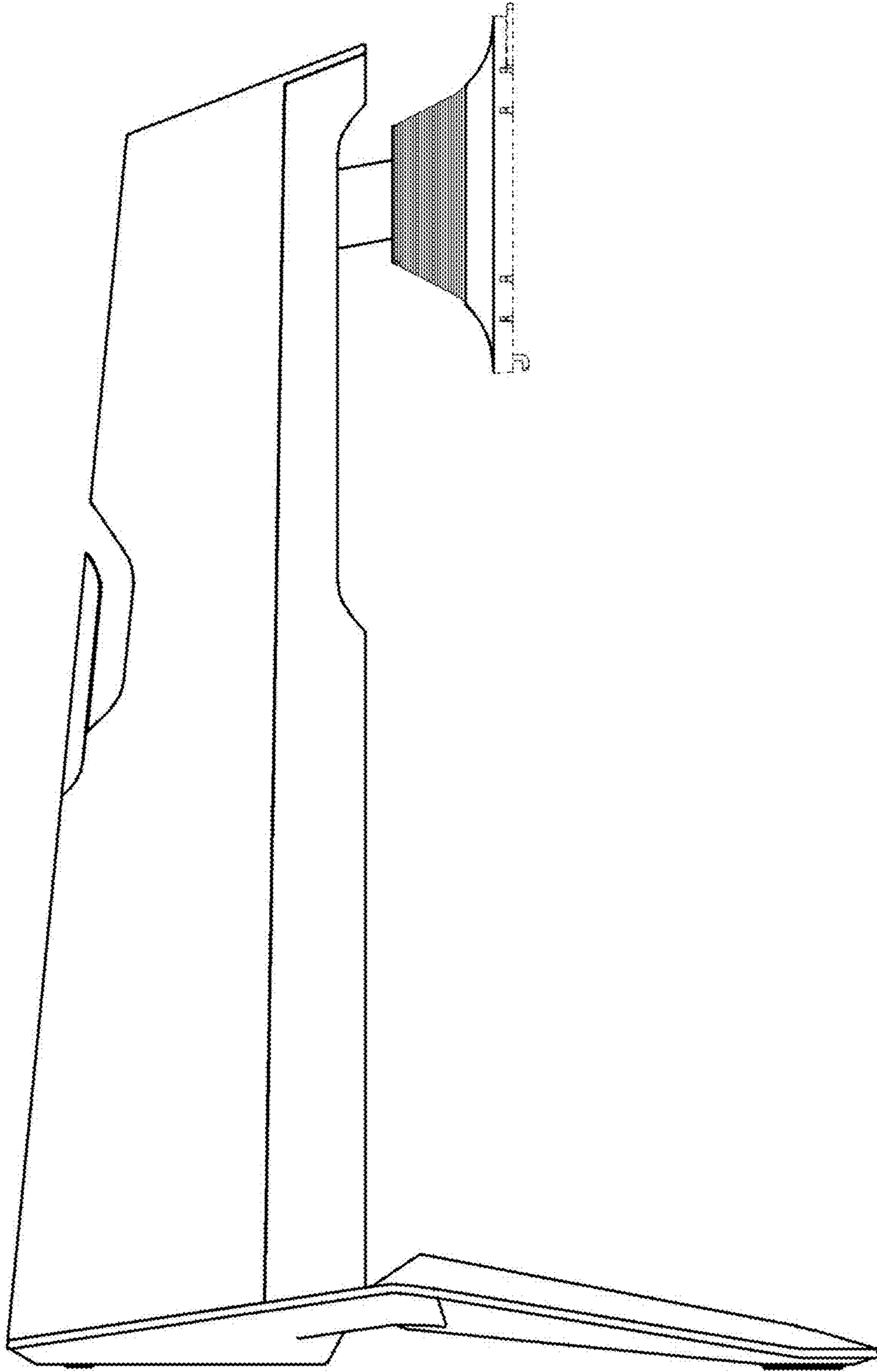
1.3



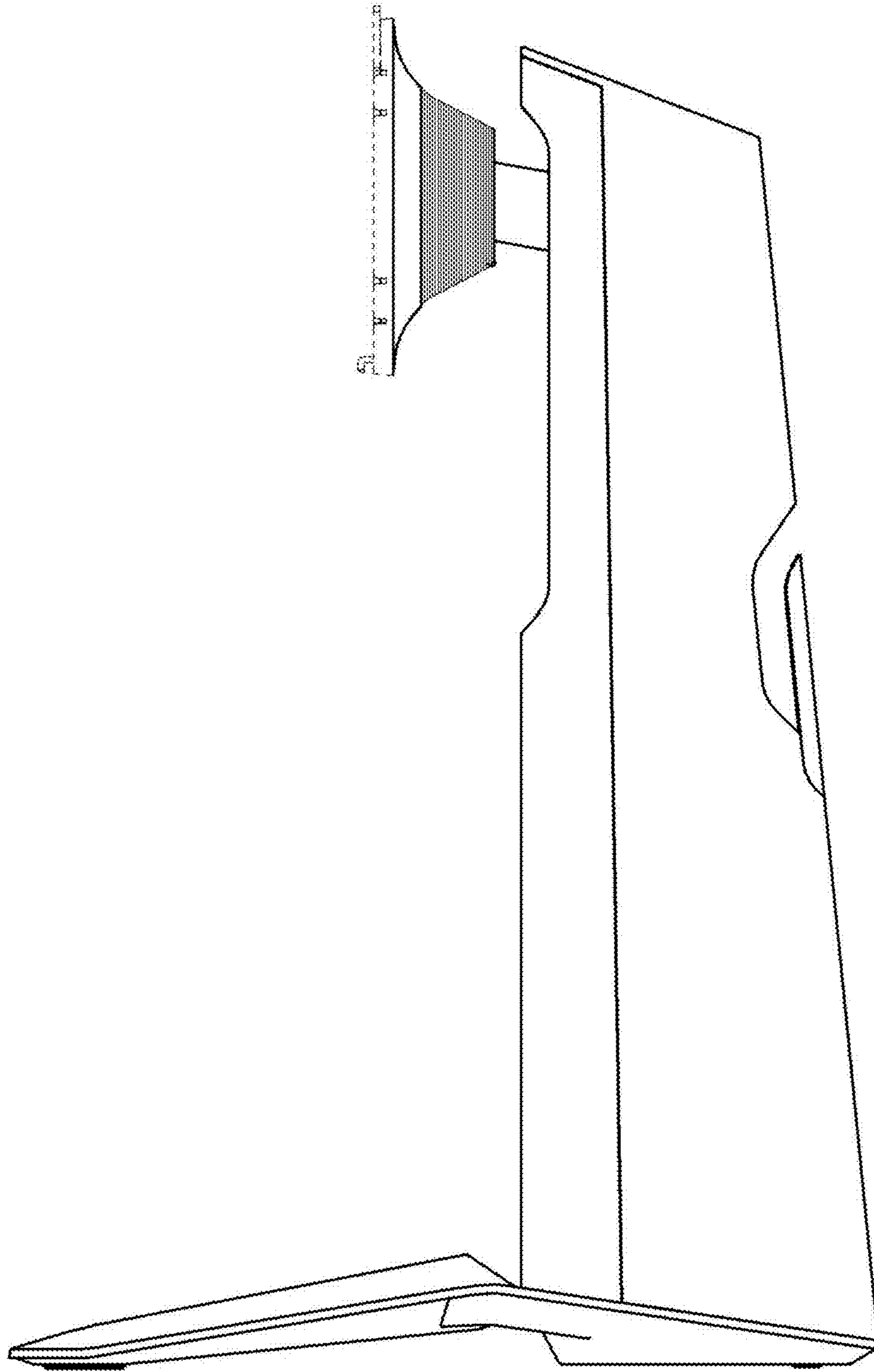
1.4



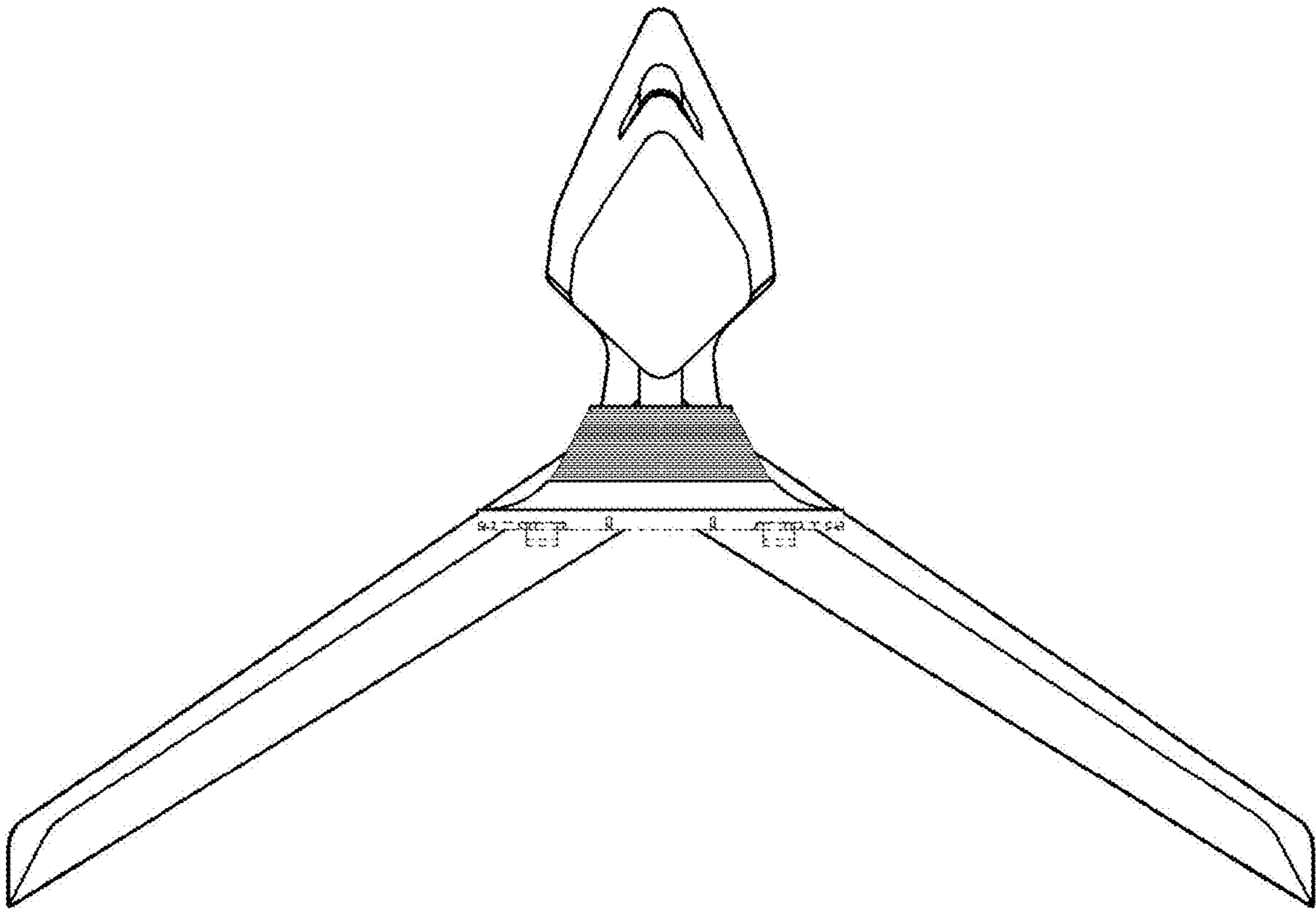
1.5



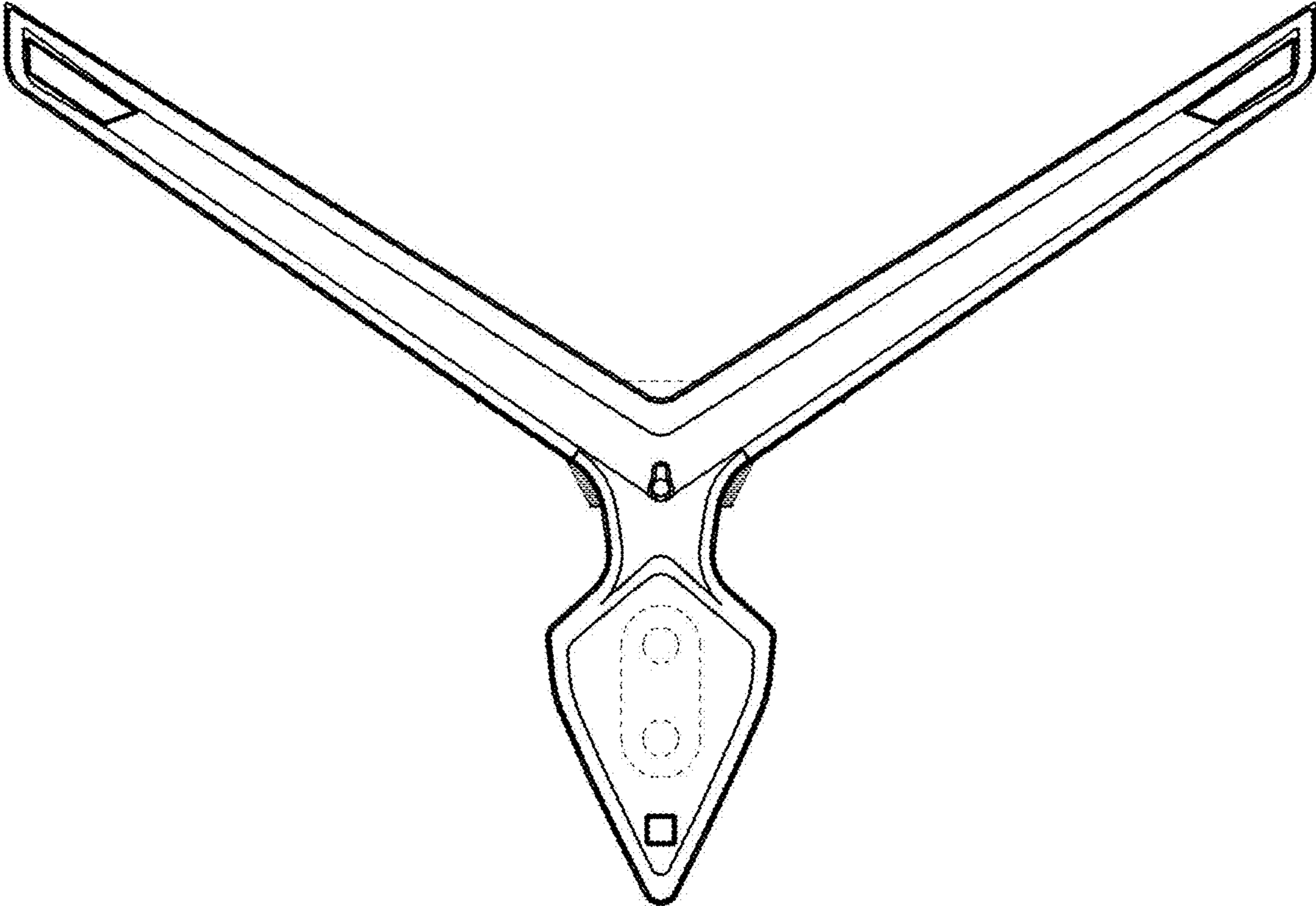
1.6



1.7



1.8



1.9

