



US00D943597S

(12) **United States Design Patent**  
**Feng**

(10) **Patent No.:** **US D943,597 S**

(45) **Date of Patent:** **\*\* Feb. 15, 2022**

(54) **LAPTOP STAND**

(71) Applicant: **SHENZHEN BESTQI INNOVATION TECHNOLOGY CO., LTD**, Shenzhen (CN)

(72) Inventor: **Keni Feng**, Shenzhen (CN)

(73) Assignee: **SHENZHEN BESTQI INNOVATION TECHNOLOGY CO., LTD**, Shenzhen (CN)

(\*\*) Term: **15 Years**

(21) Appl. No.: **29/772,959**

(22) Filed: **Mar. 5, 2021**

(51) **LOC (13) Cl.** ..... **08-07**

(52) **U.S. Cl.**  
USPC ..... **D14/447**

(58) **Field of Classification Search**  
USPC ..... D14/447, 432, 434, 439, 440, 451, 452, D14/457, 239, 253; D8/363, 373, 380; D6/406.3, 406.4, 406.5, 406.6; D12/415  
CPC ..... A47B 21/04; A47B 2097/006; A47B 2097/005; A47B 2023/049; A45C 2011/002; A45C 2011/003; F16M 2200/00; F16M 13/00

See application file for complete search history.

(56) **References Cited**

**U.S. PATENT DOCUMENTS**

D468,542 S 1/2003 Hennekes et al.  
D483,771 S 12/2003 Esswein

D589,964 S *	4/2009	Heggland	.....	D14/434
D792,417 S *	7/2017	Xiang	.....	D14/447
D903,689 S *	12/2020	Zheng	.....	D14/447
D907,640 S *	1/2021	Huang	.....	D14/447
D907,644 S *	1/2021	Li	.....	D14/447
D920,338 S *	5/2021	Chen	.....	D14/447
D923,631 S *	6/2021	Chen	.....	D14/447
D923,632 S *	6/2021	Li	.....	D14/447
D928,790 S *	8/2021	Hong	.....	D14/447
D936,662 S *	11/2021	Gao	.....	D14/447
D938,433 S *	12/2021	Huang	.....	D14/447

\* cited by examiner

*Primary Examiner* — Angela J Lee

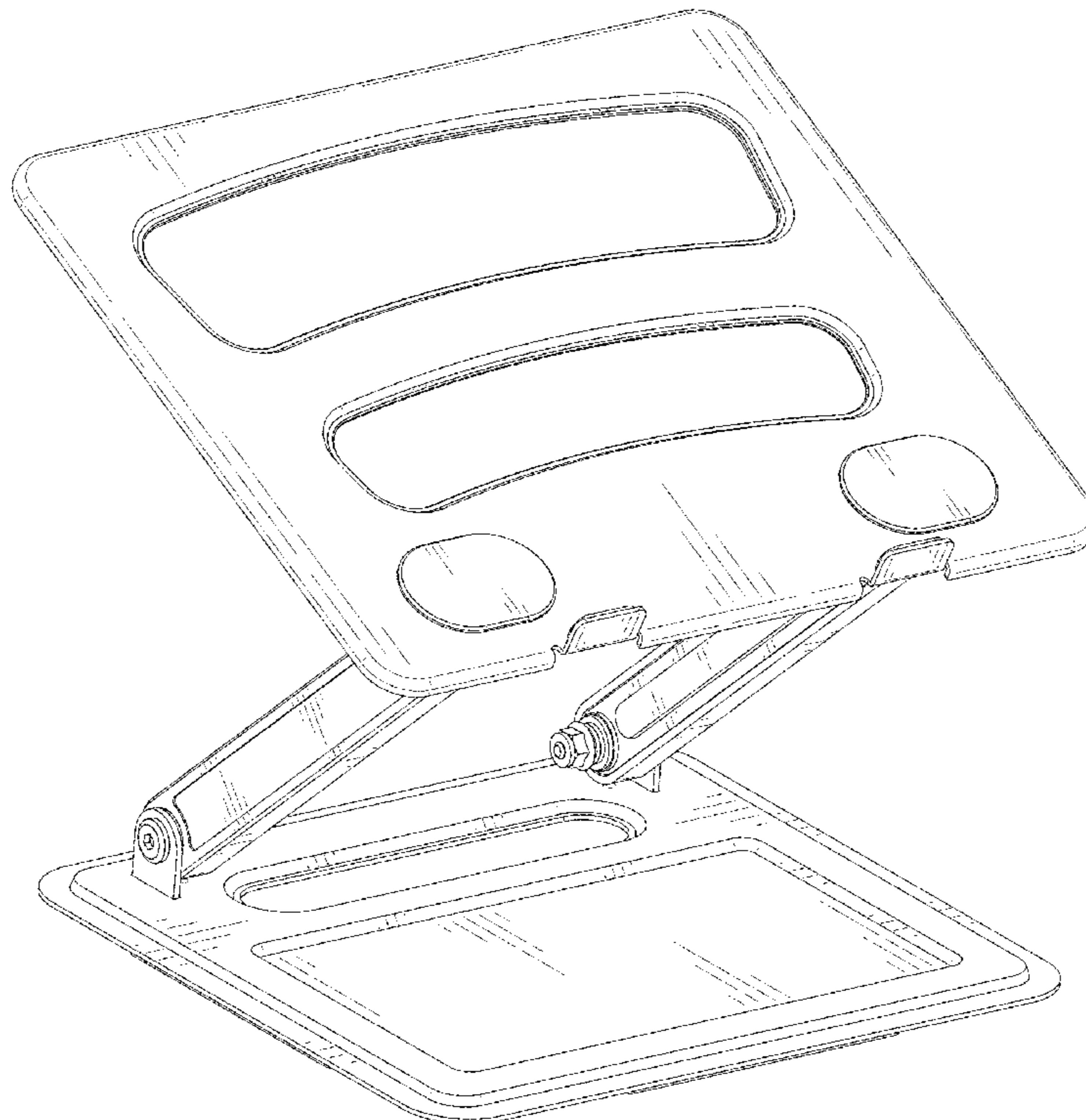
(57) **CLAIM**

The ornamental design for a laptop stand, as shown and described.

**DESCRIPTION**

FIG. 1 is a perspective view of a laptop stand showing my new design;  
FIG. 2 is another perspective view thereof;  
FIG. 3 is a front elevational view thereof;  
FIG. 4 is a rear elevational view thereof;  
FIG. 5 is a left side elevational view thereof;  
FIG. 6 is a right side elevational view thereof;  
FIG. 7 is a top plan view thereof;  
FIG. 8 is a bottom plan view thereof; and,  
FIG. 9 is a perspective view of the laptop stand where the laptop stand is in a folded state.  
The broken lines in the drawings depict portions of the laptop stand that form no part of the claimed design.

**1 Claim, 9 Drawing Sheets**



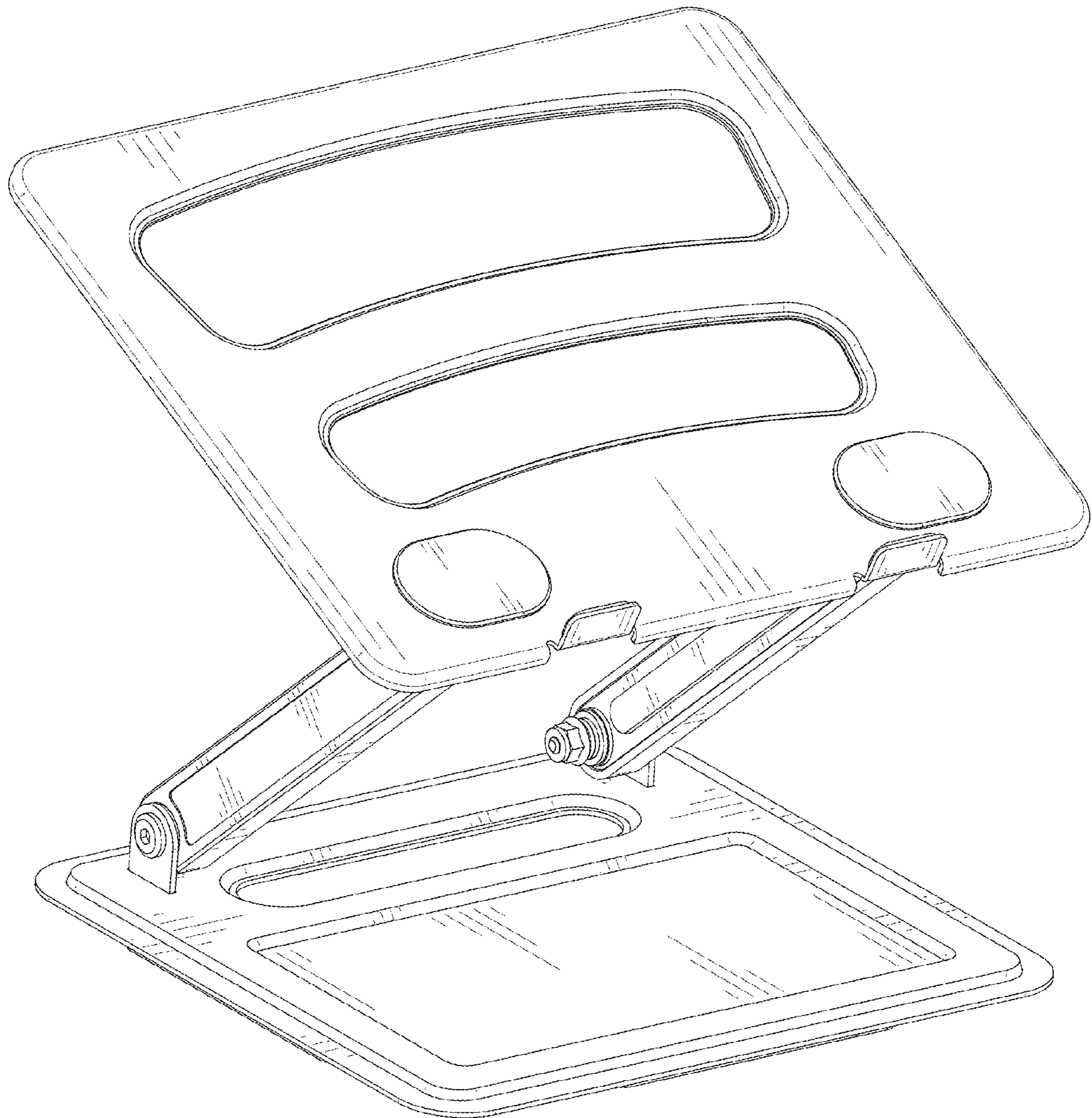


FIG. 1

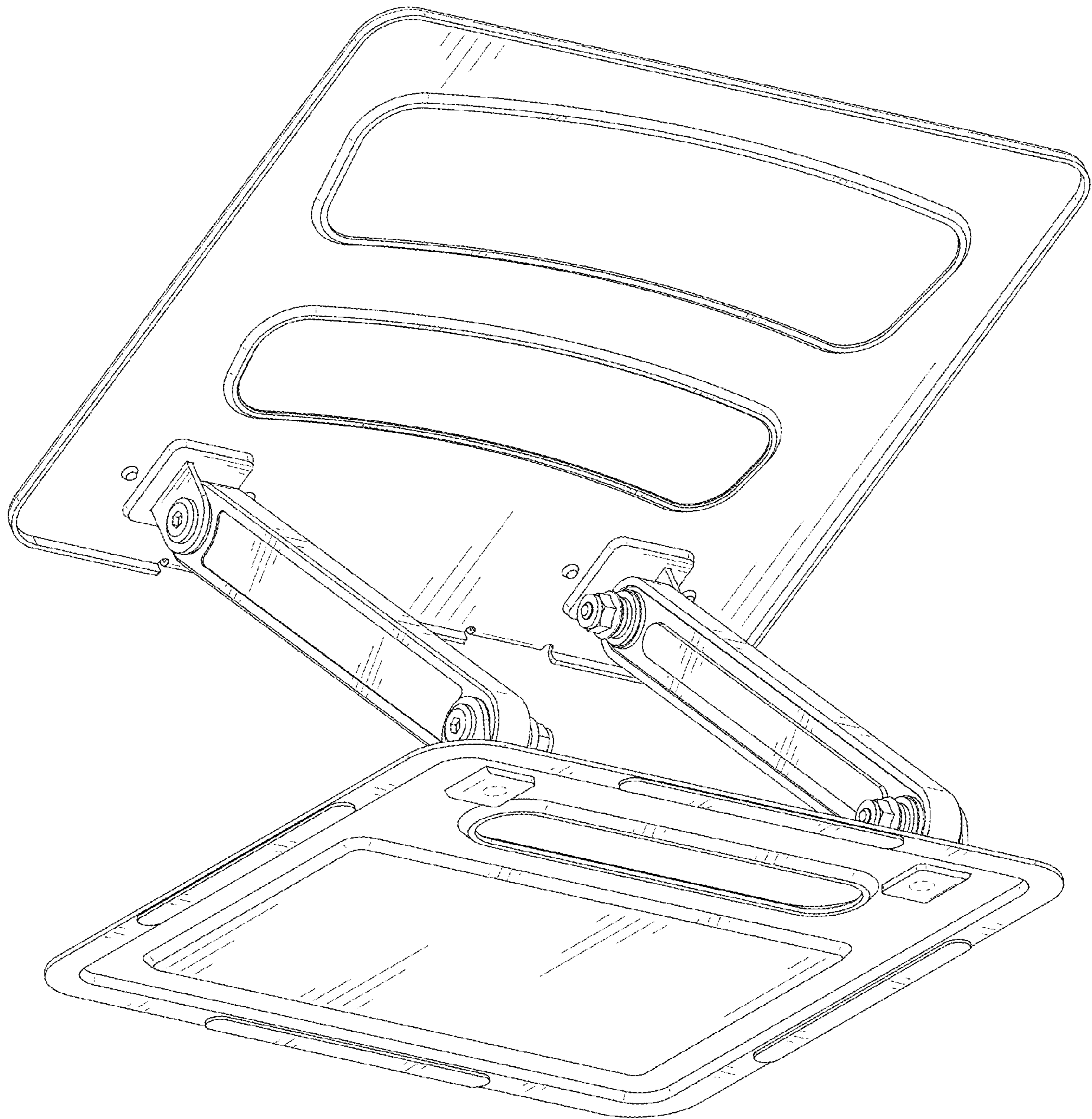


FIG. 2

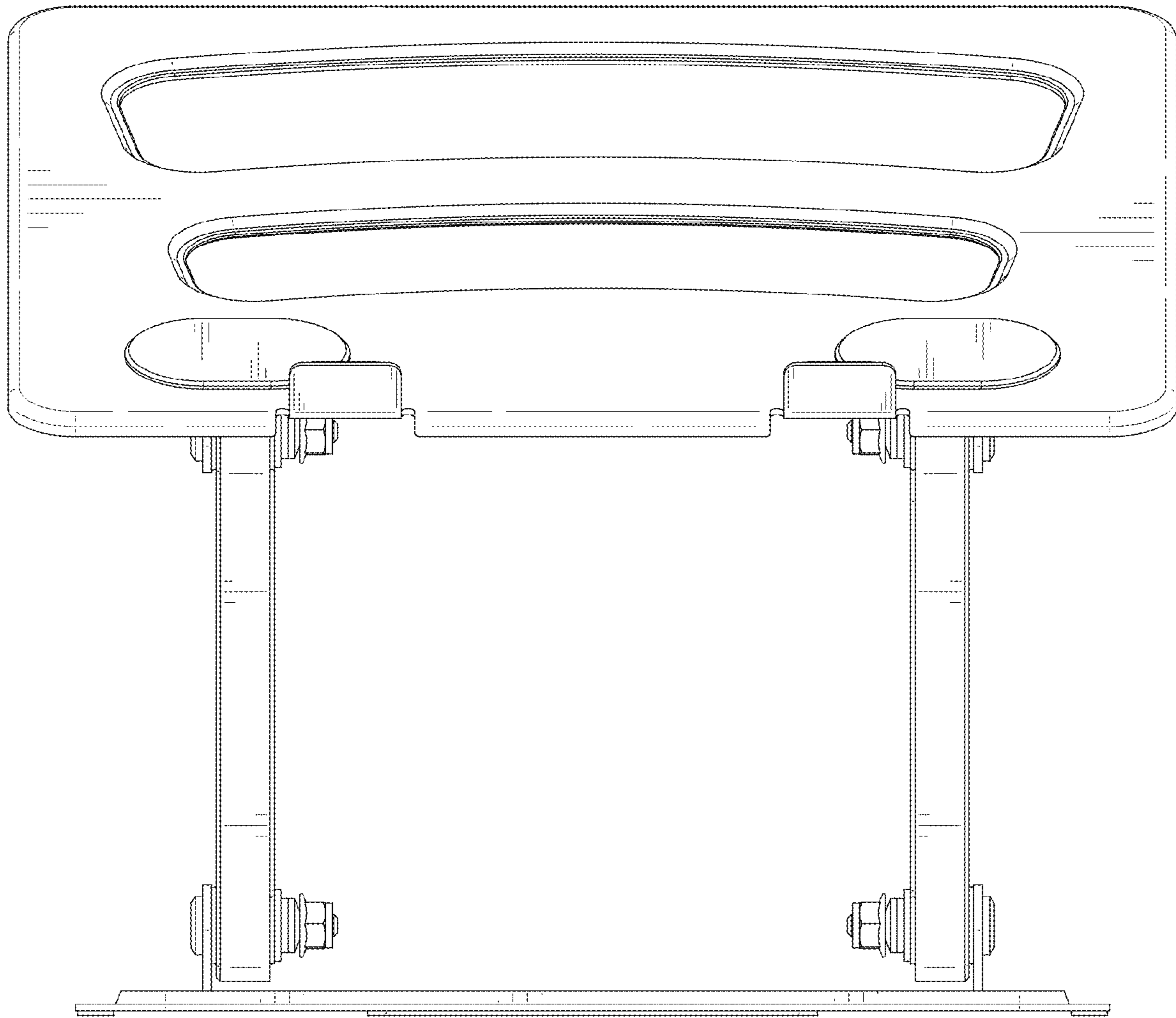


FIG. 3

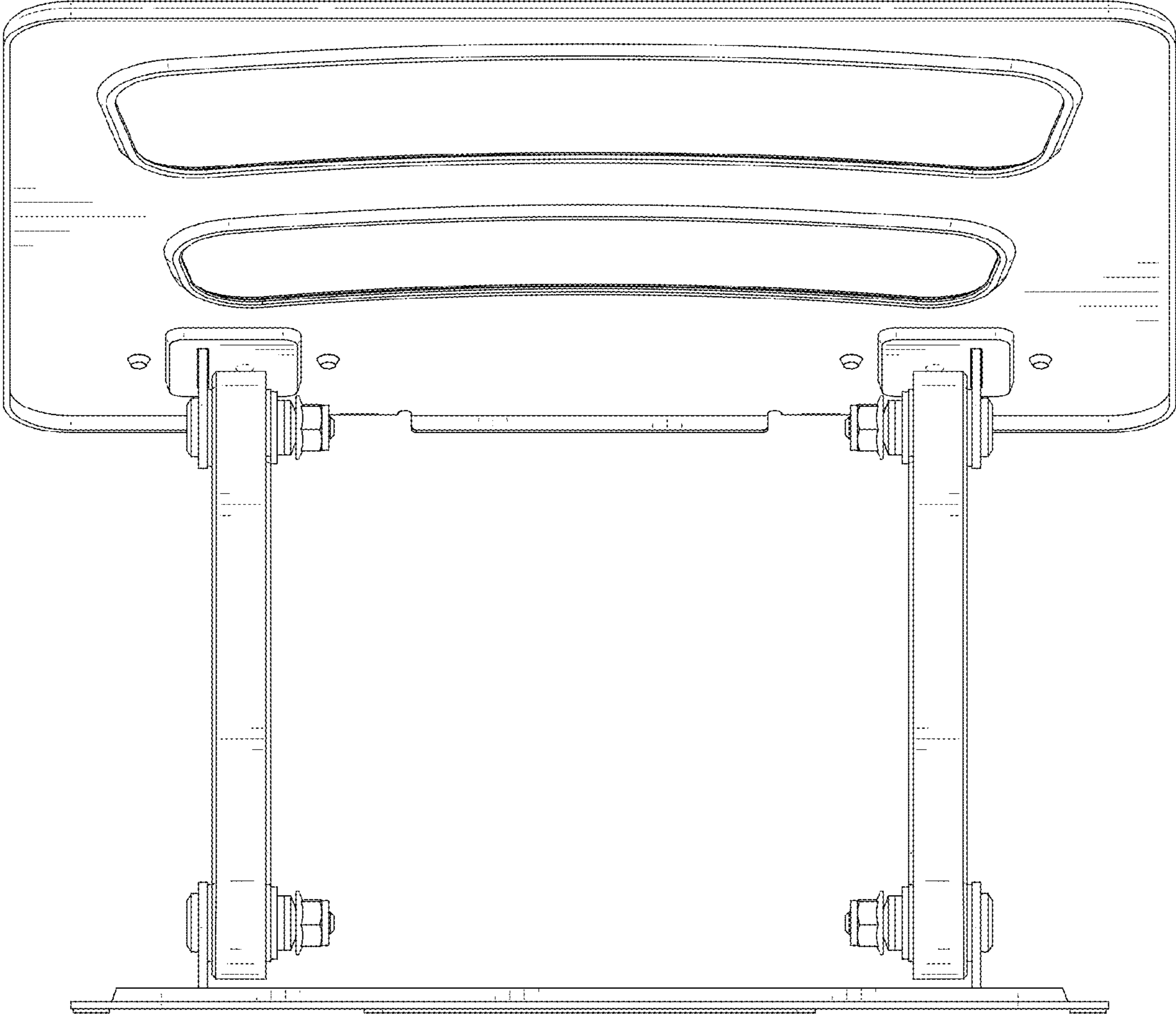


FIG. 4

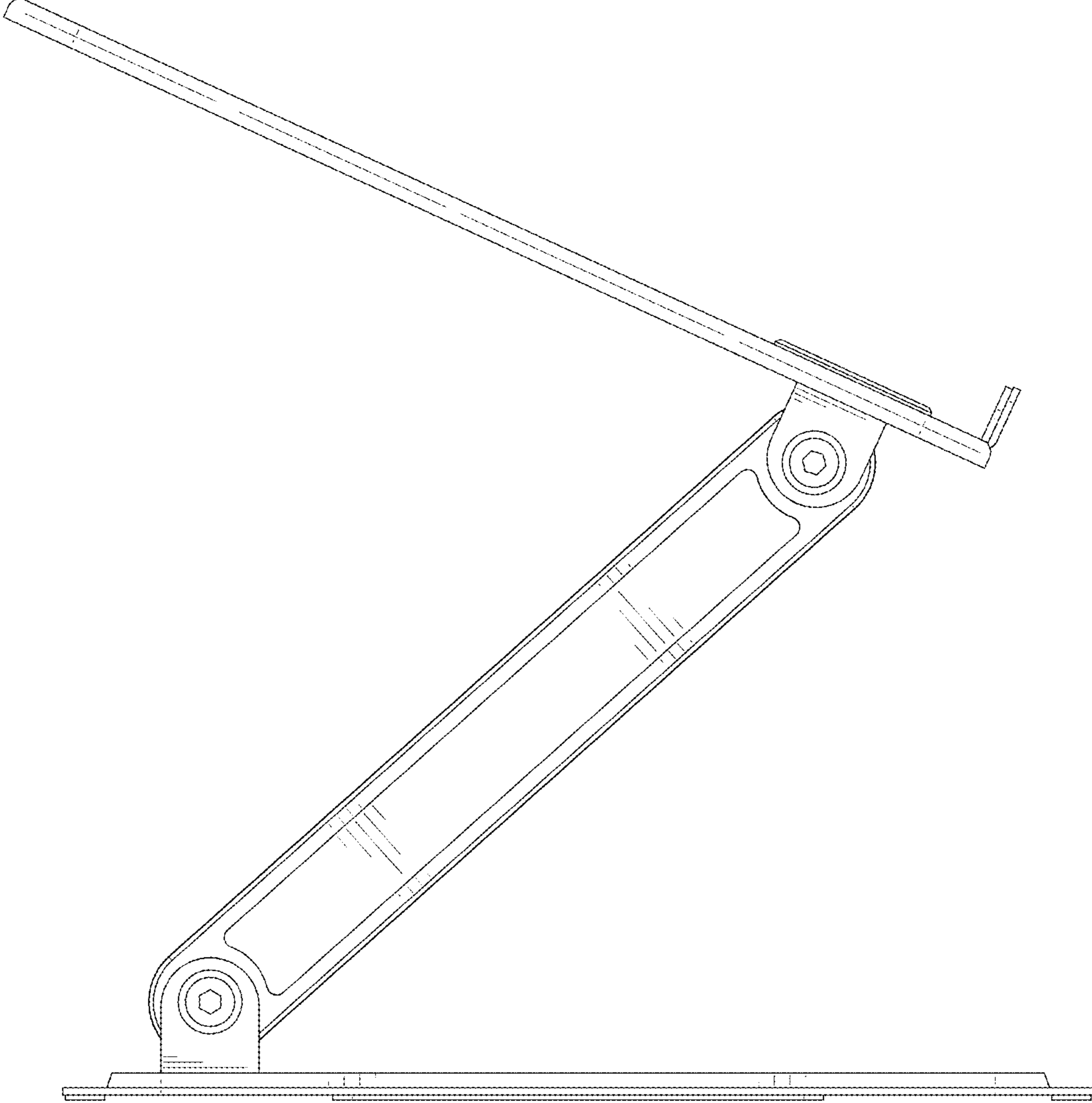


FIG. 5

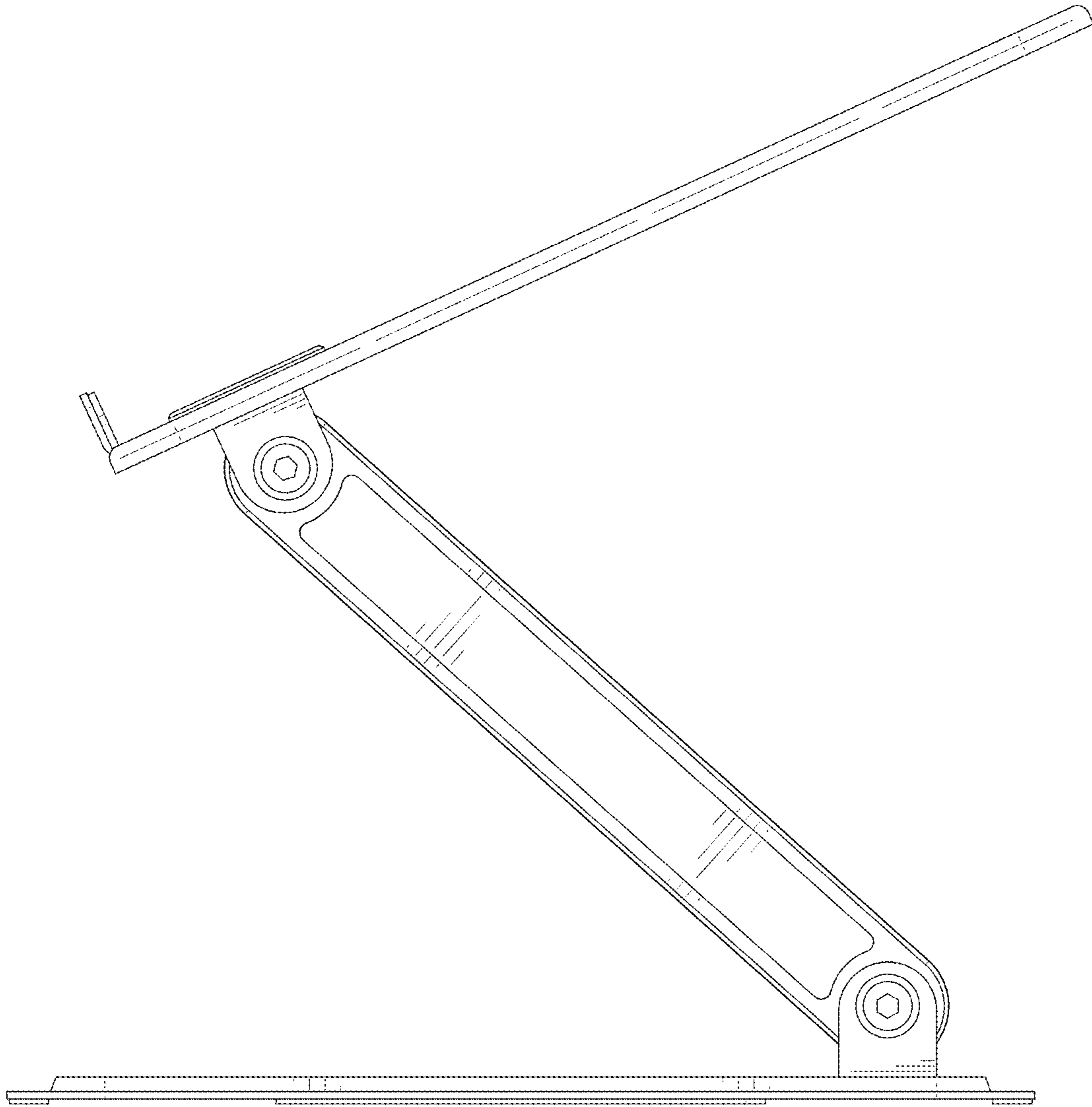


FIG. 6

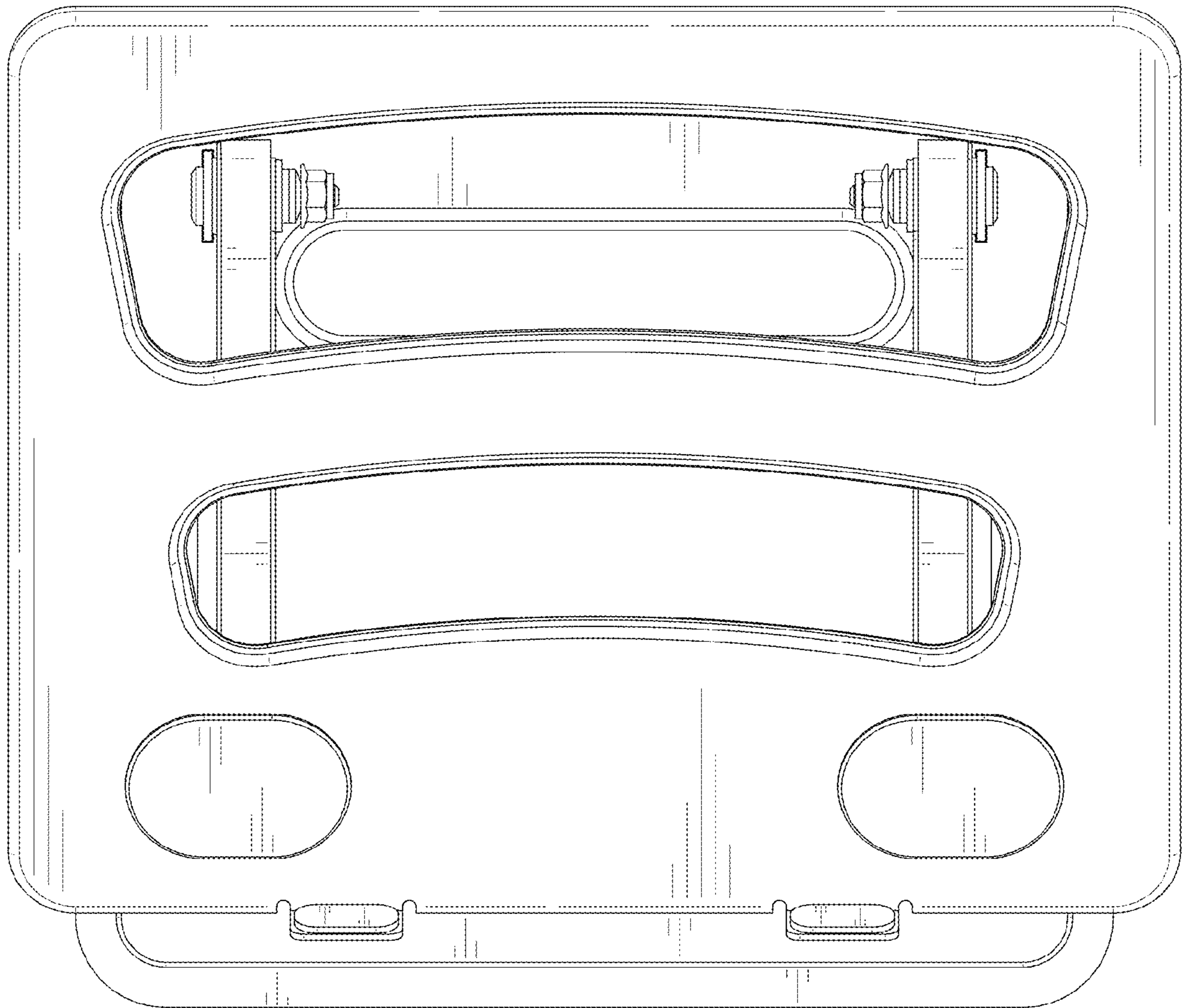


FIG. 7



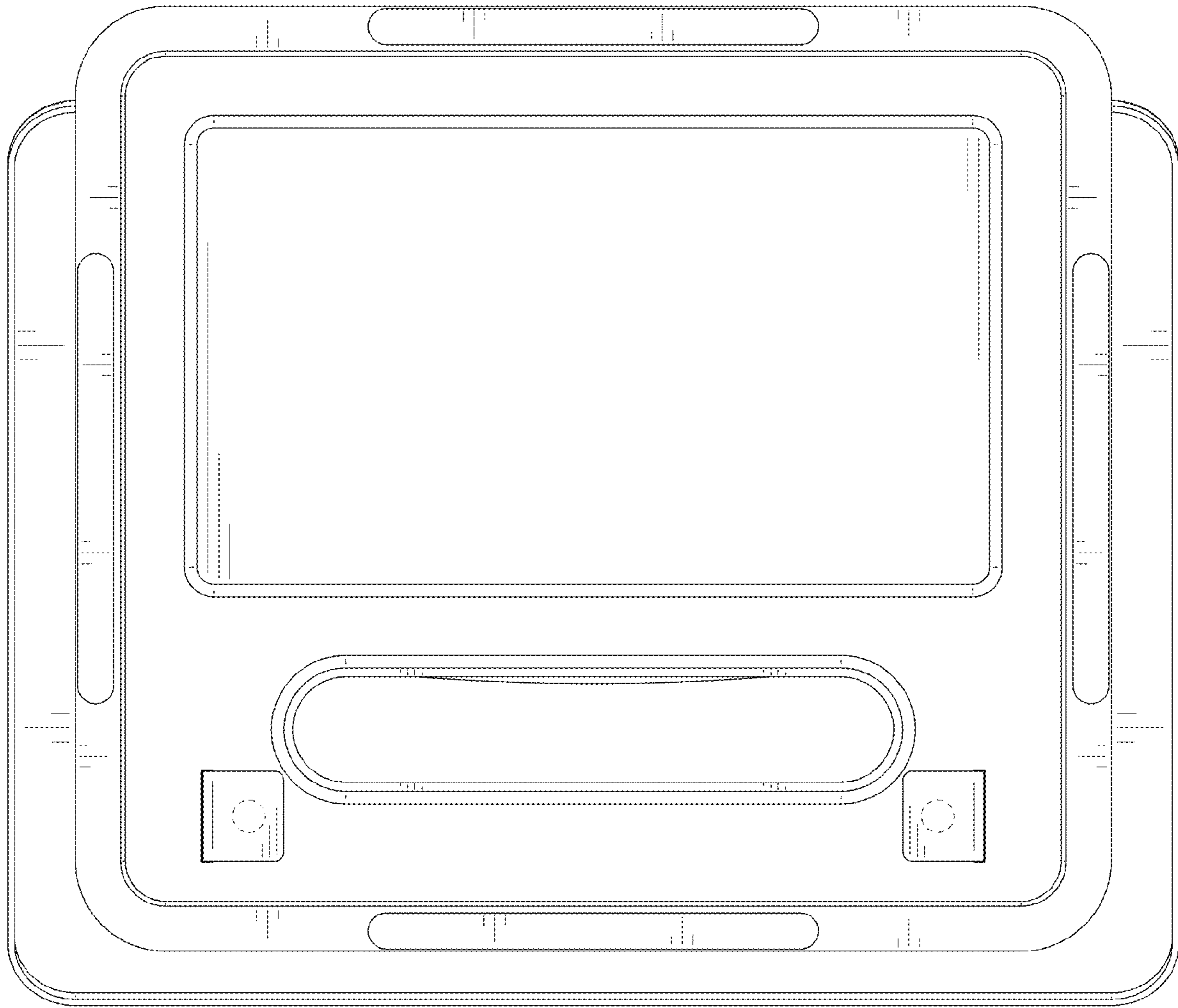


FIG. 8

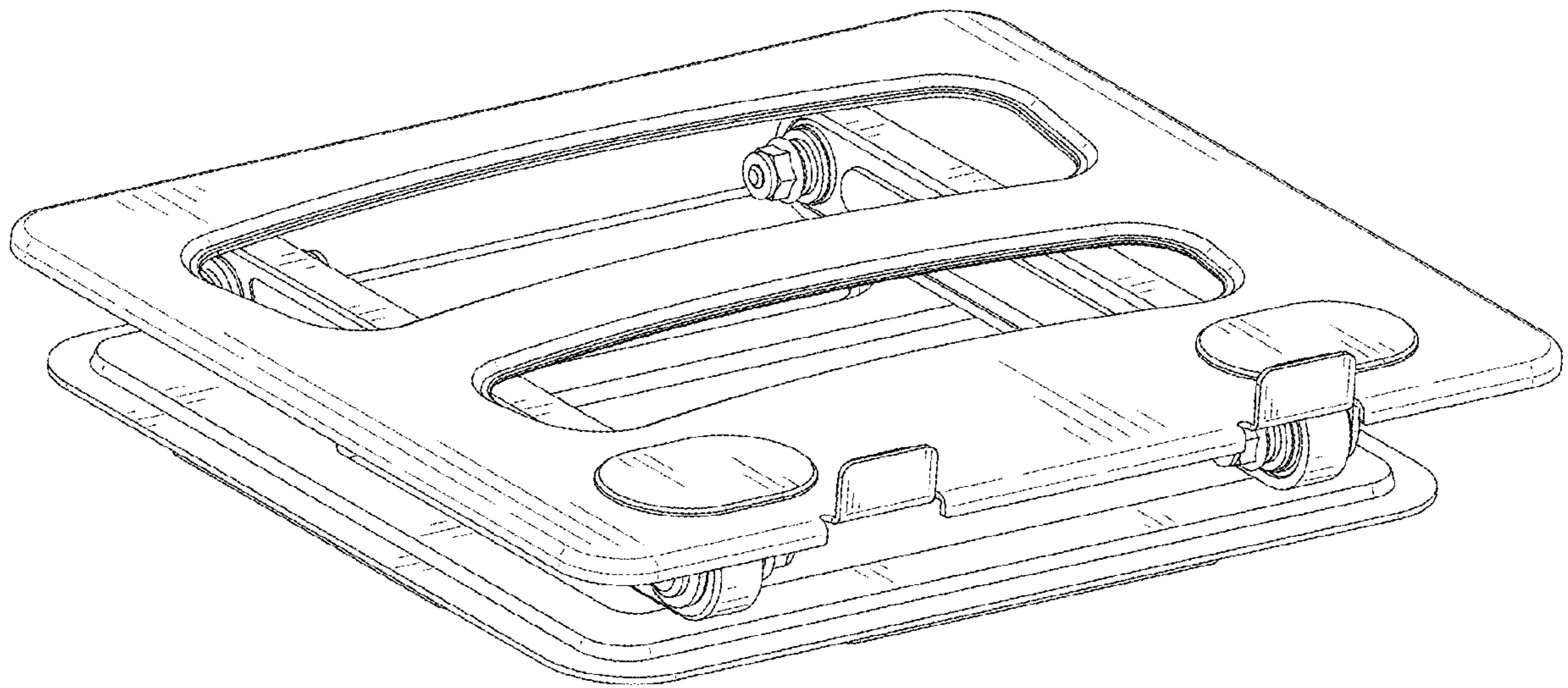


FIG. 9