



US00D943596S

(12) **United States Design Patent** (10) **Patent No.:** **US D943,596 S**  
**Li** (45) **Date of Patent:** **\*\* Feb. 15, 2022**

(54) **LAPTOP STAND**  
(71) Applicant: **Yongkang Jiahua Industry And Trade Co., Ltd., Zhejiang (CN)**  
(72) Inventor: **Bo Li, Zhejiang (CN)**  
(73) Assignee: **Yongkang Jiahua Industry And Trade Co., Ltd., Jinhua (CN)**

(\*\*) Term: **15 Years**

(21) Appl. No.: **29/772,935**

(22) Filed: **Mar. 5, 2021**

(51) **LOC (13) Cl.** ..... **08-07**

(52) **U.S. Cl.**  
USPC ..... **D14/447**

(58) **Field of Classification Search**  
USPC ..... D14/447, 432, 434, 439, 440, 451, 452, D14/457, 239, 253; D8/363, 373, 380; D6/406.3, 406.4, 406.5, 406.6; D12/415; D21/333, 332  
CPC ..... A47B 21/04; A47B 2097/006; A47B 2097/005; A47B 2023/049; A45C 2011/002; A45C 2011/003; F16M 2200/00; F16M 13/00  
See application file for complete search history.

(56) **References Cited**

**U.S. PATENT DOCUMENTS**

4,726,556 A \* 2/1988 Weir ..... A47B 27/18 248/454  
D398,458 S \* 9/1998 Martell ..... D6/656.11

D410,910 S \* 6/1999 Martell ..... D14/457  
D596,187 S \* 7/2009 Martell ..... D14/447  
D635,797 S \* 4/2011 Xingyin ..... D6/656.11  
D733,155 S 6/2015 van Hooft  
D752,908 S \* 4/2016 McGrath ..... D6/699.5  
9,399,882 B1 \* 7/2016 McGrath ..... E05D 11/1007  
D878,815 S \* 3/2020 Peng ..... D6/656  
D898,748 S 10/2020 Ma  
D921,643 S \* 6/2021 Jin ..... D14/447  
D928,790 S \* 8/2021 Hong ..... D14/447

\* cited by examiner

*Primary Examiner* — Angela J Lee

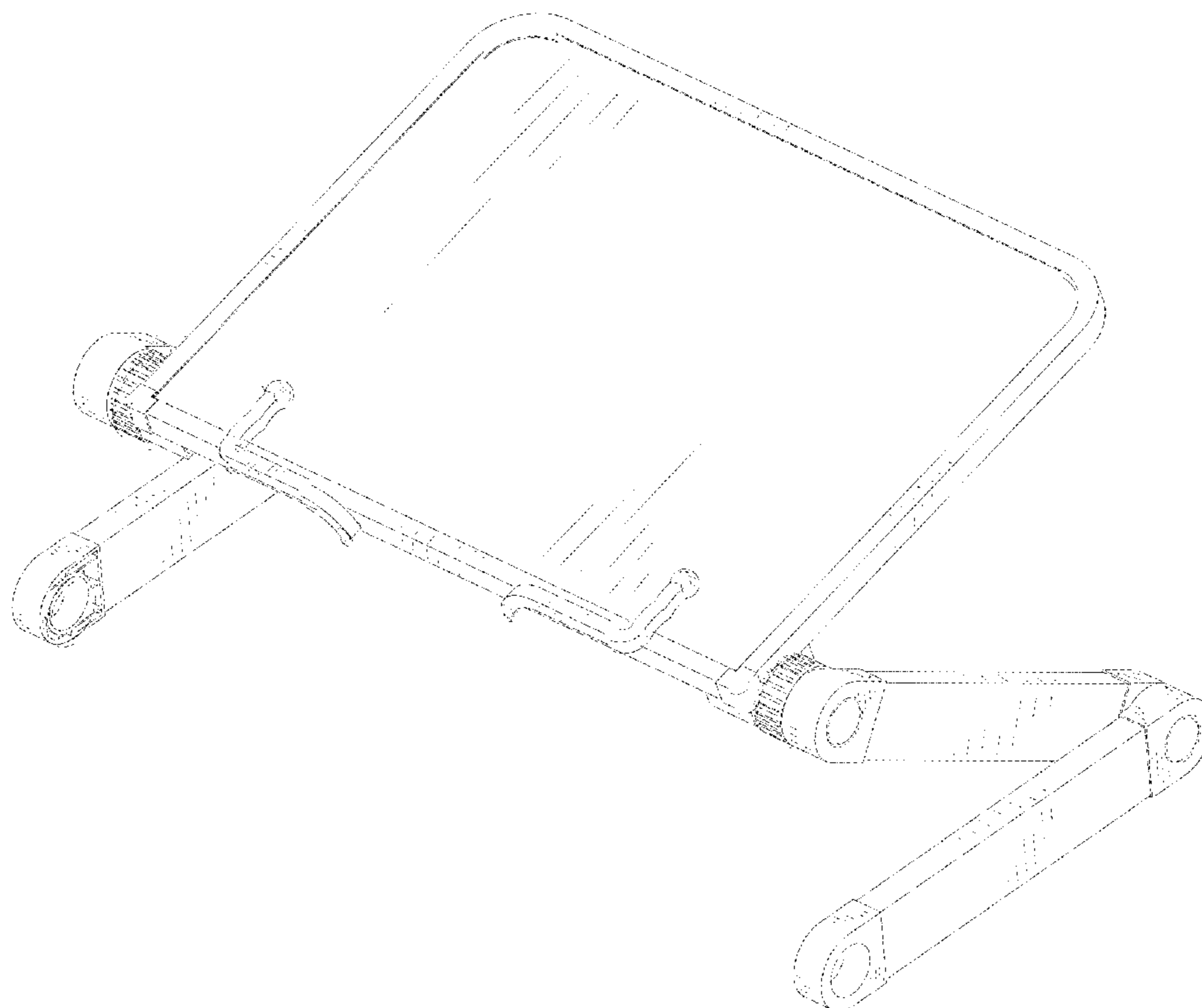
(57) **CLAIM**

The ornamental design for a laptop stand, as shown and described.

**DESCRIPTION**

FIG. 1 is a perspective view of a laptop stand showing my/our new design;  
FIG. 2 is a front view thereof;  
FIG. 3 is a back view thereof;  
FIG. 4 is a left side view thereof;  
FIG. 5 is a right side view thereof;  
FIG. 6 is a top view thereof; and,  
FIG. 7 is a bottom view thereof.

**1 Claim, 7 Drawing Sheets**



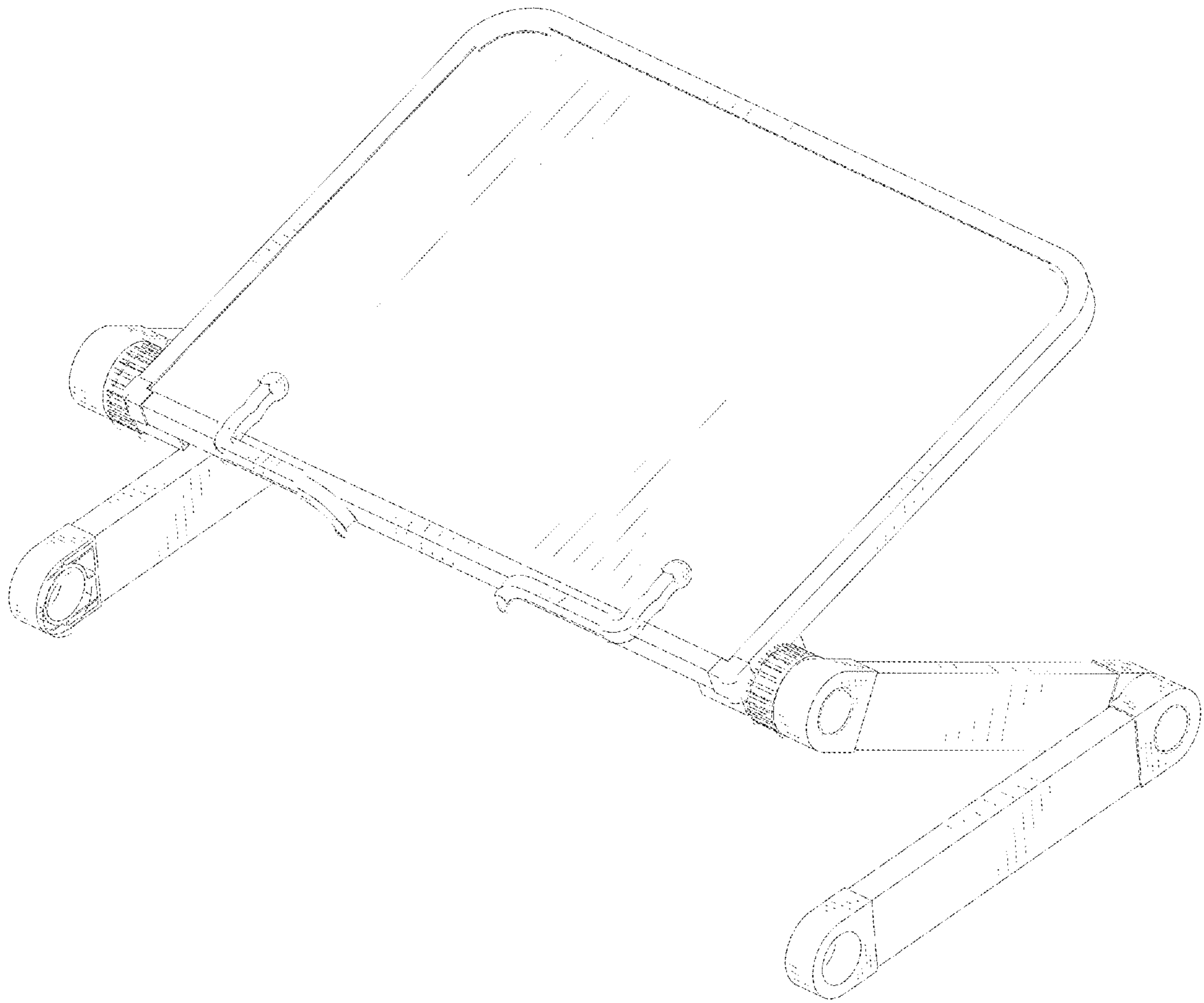


FIG.1

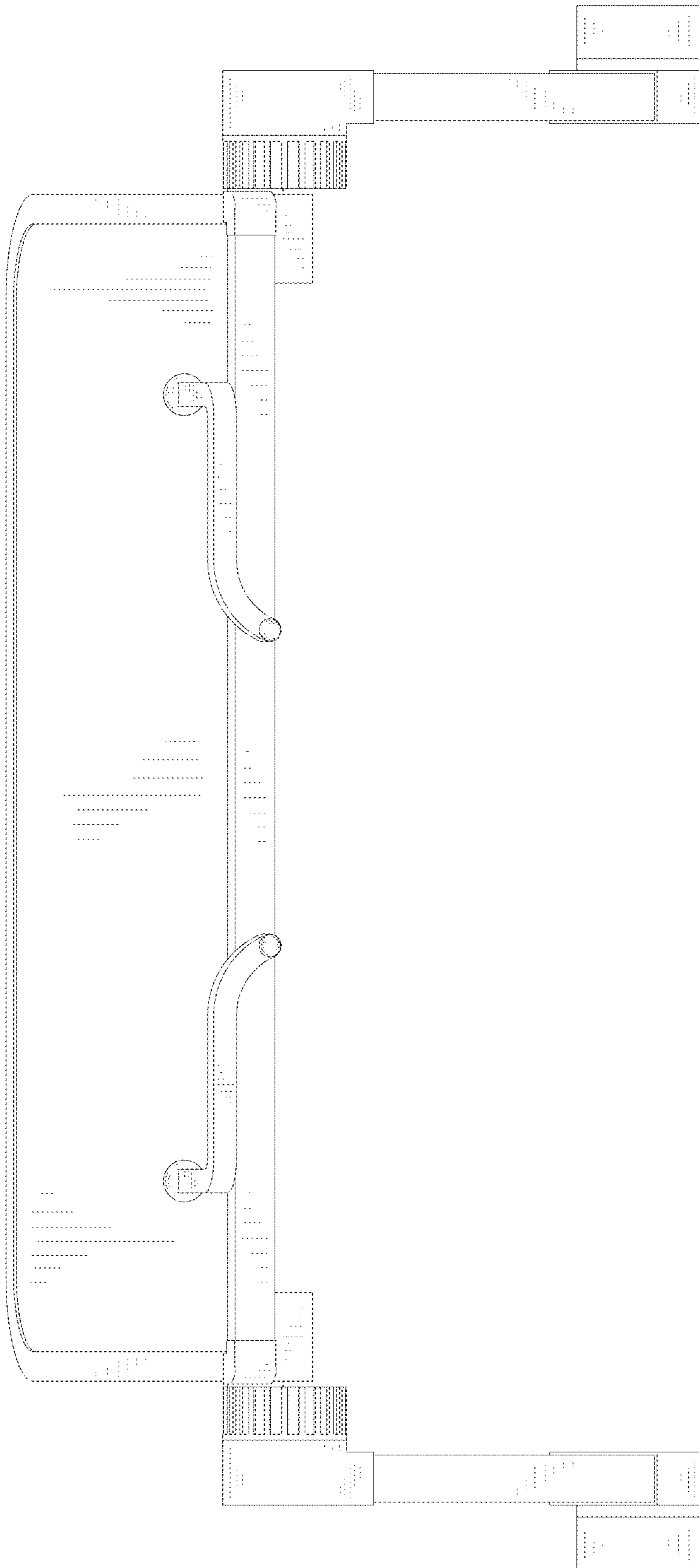


FIG. 2

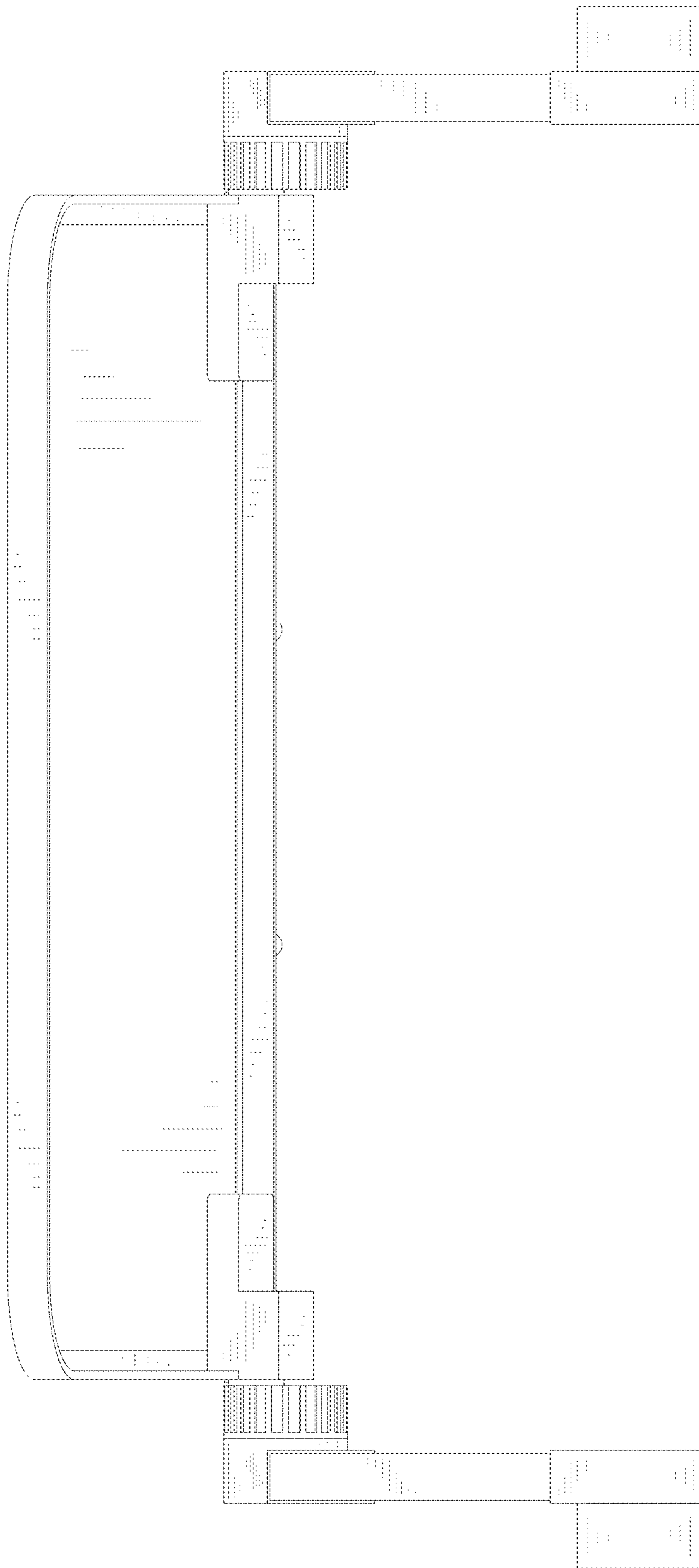


FIG. 3

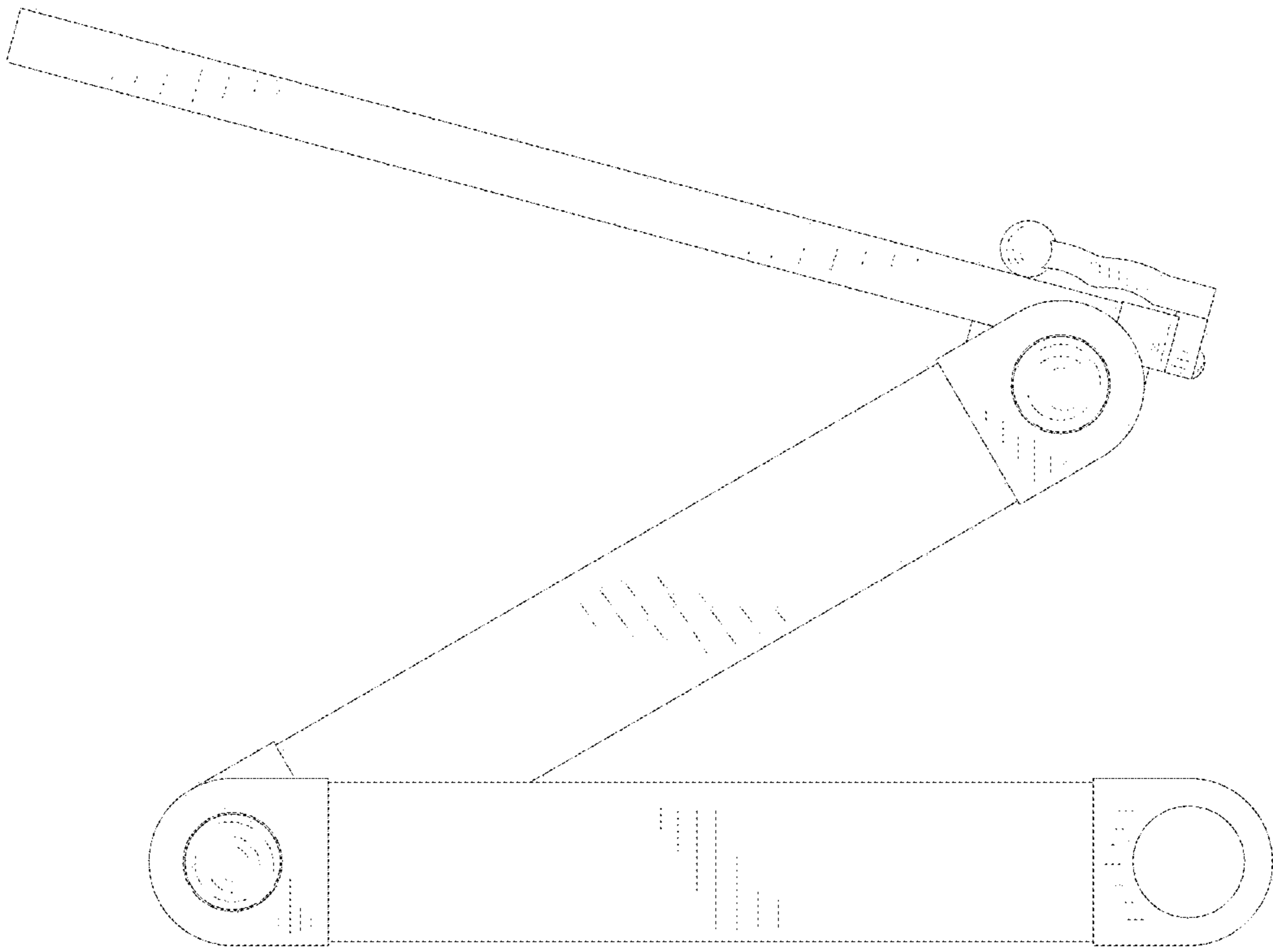


FIG. 4

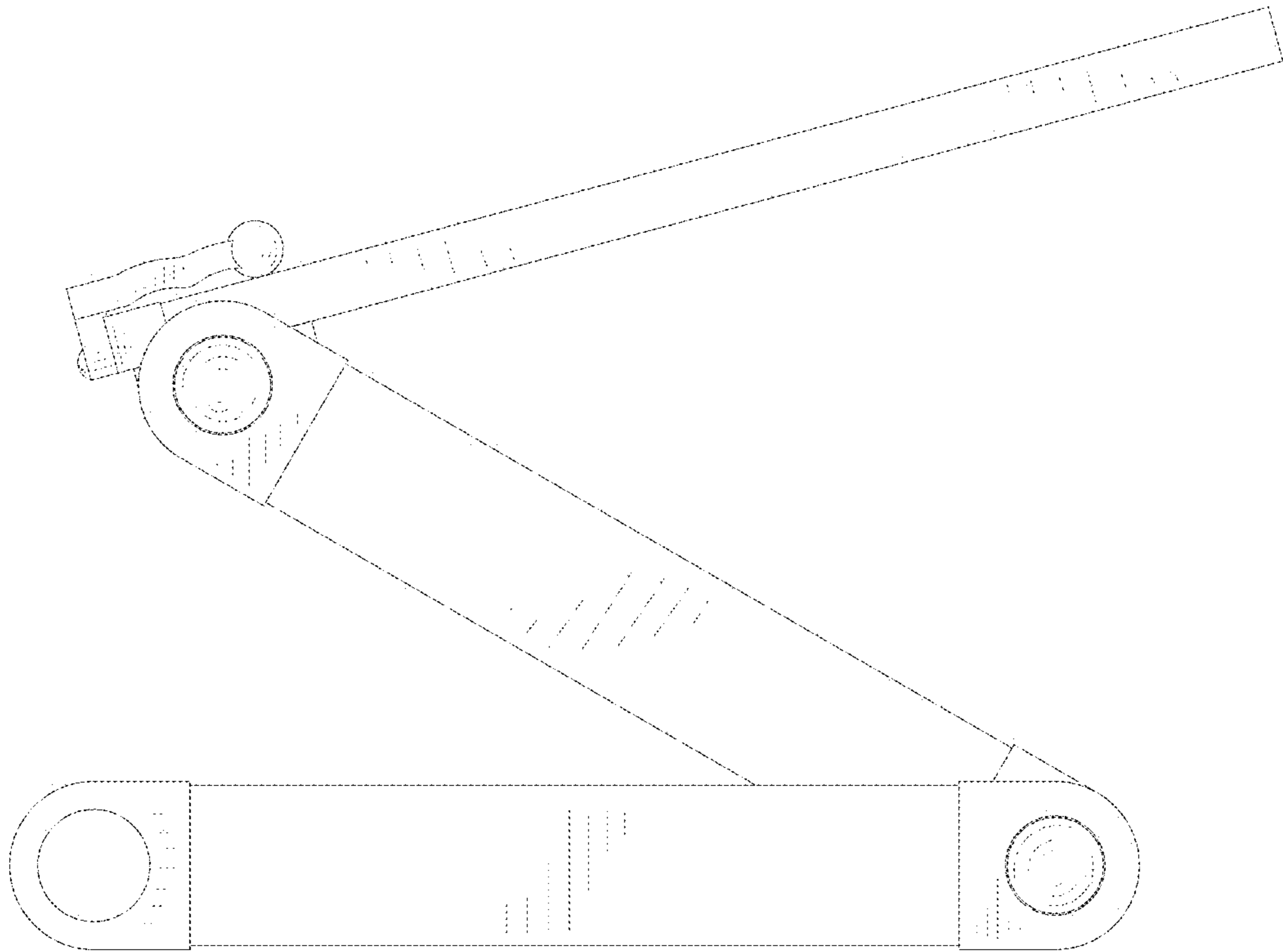


FIG. 5

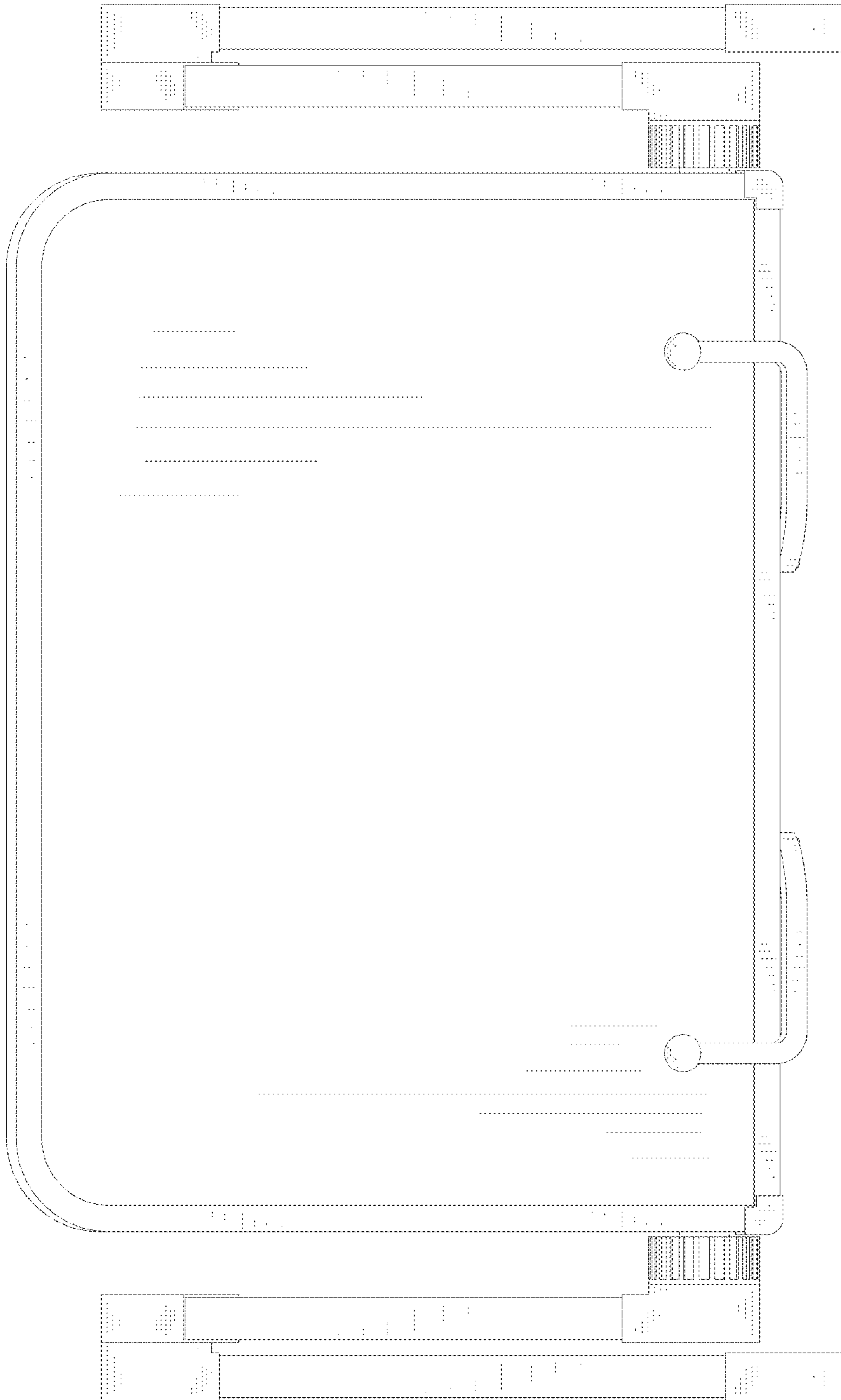


FIG. 6



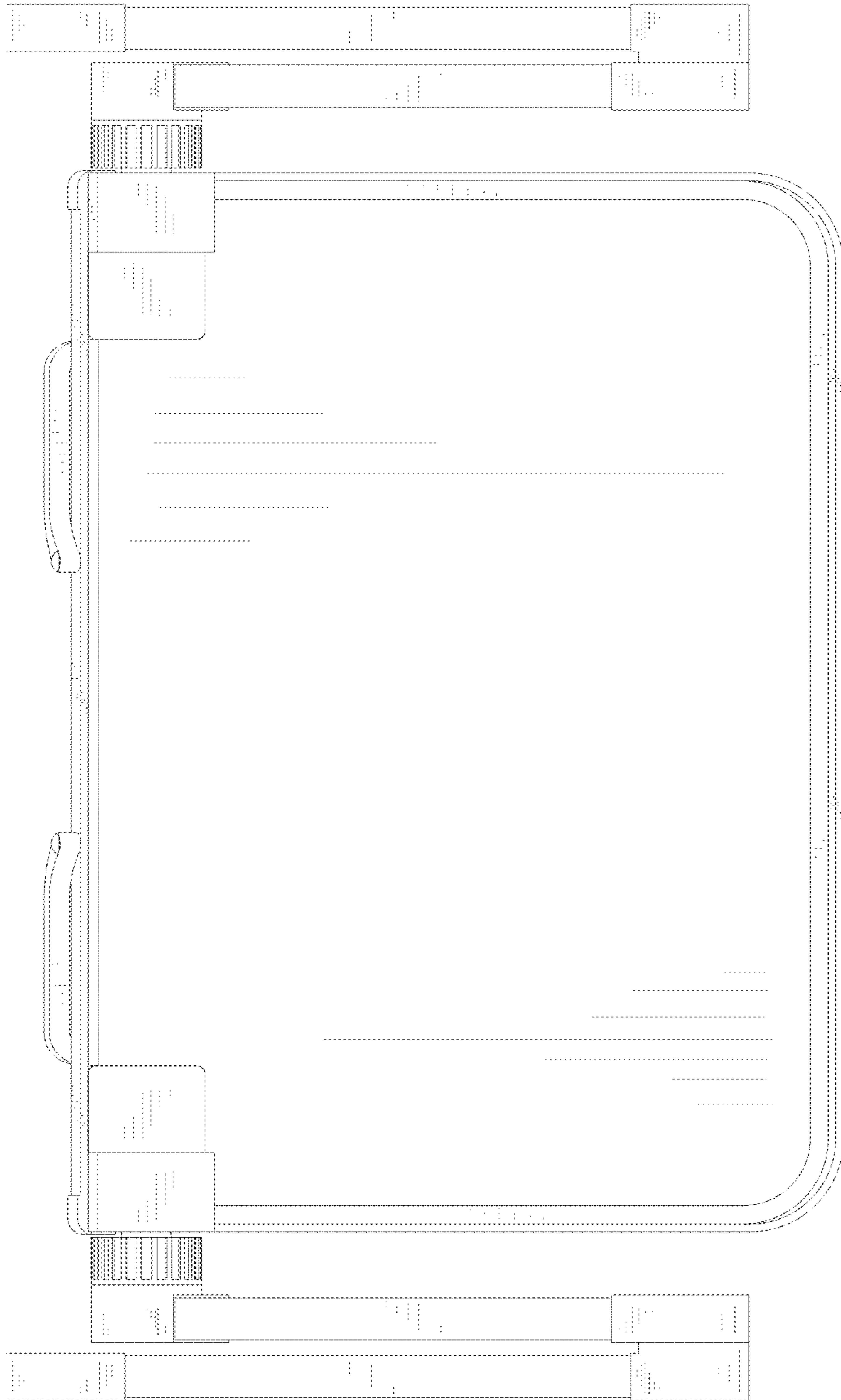


FIG. 7