



US00D943595S

(12) **United States Design Patent**  
**Navarrette**

(10) **Patent No.:** **US D943,595 S**

(45) **Date of Patent:** **\*\* Feb. 15, 2022**

(54) **FOLDABLE STAND**

(71) Applicant: **Thomas D. Navarrette**, Santa Fe, MN  
(US)

(72) Inventor: **Thomas D. Navarrette**, Santa Fe, MN  
(US)

(\*\*) Term: **15 Years**

(21) Appl. No.: **29/753,011**

(22) Filed: **Sep. 29, 2020**

(51) **LOC (13) Cl.** ..... **08-07**

(52) **U.S. Cl.**  
USPC ..... **D14/447**

(58) **Field of Classification Search**  
USPC ..... D14/447, 432, 434, 439, 440, 451, 452,  
D14/457, 239, 253; D8/363, 373, 380;  
D6/406.3, 406.4, 406.5, 406.6; D12/415;  
D13/108  
CPC ..... A45C 2011/002; A45C 2011/003; F16M  
2200/00; F16M 13/00; A47B 21/04;  
A47B 2097/006; A47B 2097/005; A47B  
2023/049

See application file for complete search history.

(56) **References Cited**

**U.S. PATENT DOCUMENTS**

D639,814 S *	6/2011	Farris-Gilbert	.....	D14/447
D667,831 S *	9/2012	Stravitz	.....	D14/447
D669,085 S *	10/2012	Coberly	.....	D14/447
D674,396 S *	1/2013	Yang	.....	D14/447
D676,452 S *	2/2013	So	.....	D14/447
D676,853 S *	2/2013	Gengler	.....	D14/447
D689,870 S *	9/2013	Fong	.....	D14/447

D755,796 S *	5/2016	Gibson	.....	D14/447
D842,862 S *	3/2019	Ellis	.....	D14/447
D879,108 S *	3/2020	Fisk	.....	D14/447
D912,679 S *	3/2021	He	.....	D14/447
D914,689 S *	3/2021	Culver	.....	A47B 23/044 D14/447
D927,497 S *	8/2021	Date	.....	D14/447

\* cited by examiner

*Primary Examiner* — Angela J Lee

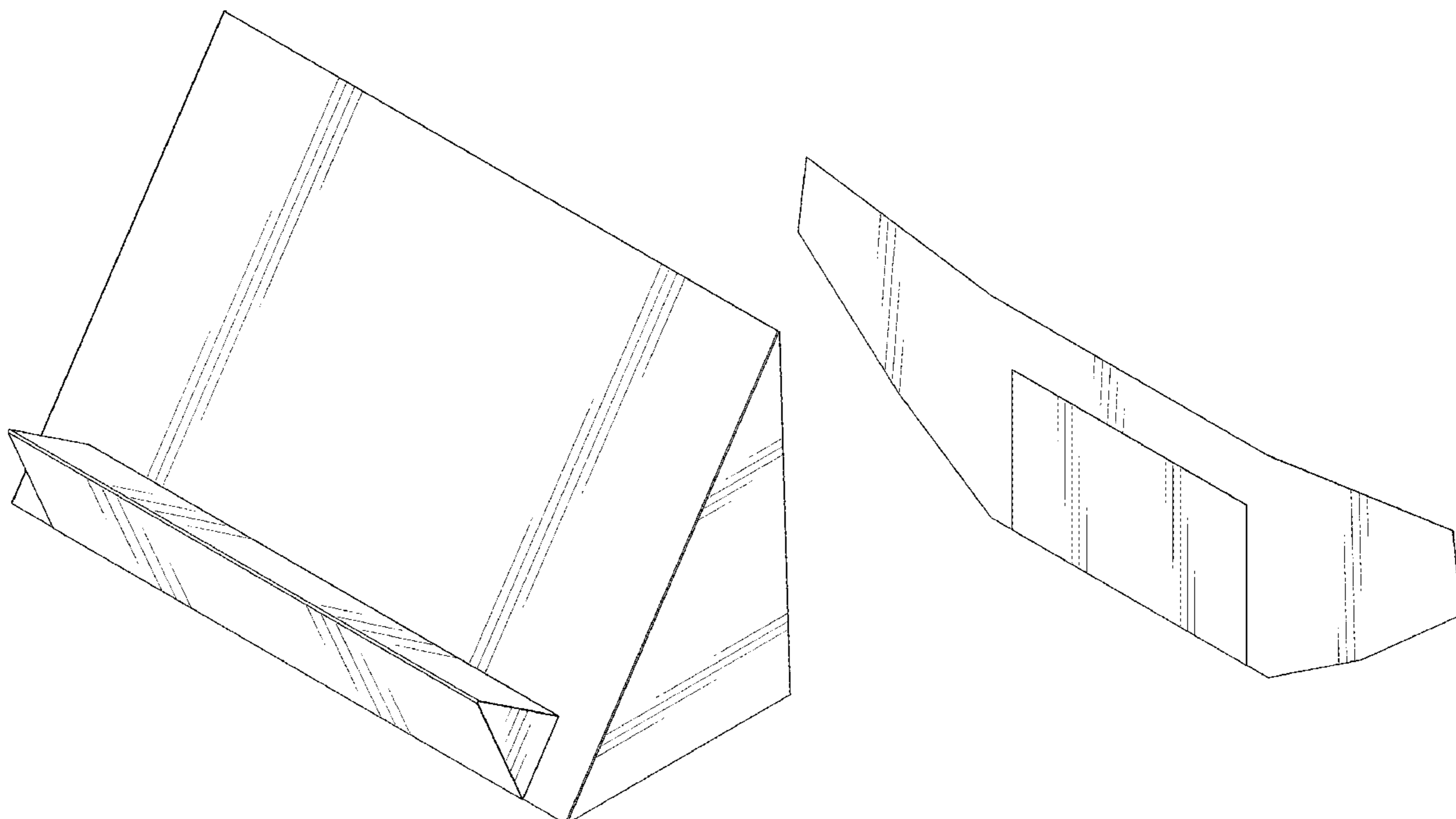
(57) **CLAIM**

The ornamental design for a foldable stand, as shown and described.

**DESCRIPTION**

FIG. 1 is a top-front-left perspective view of a foldable stand showing my new design;  
 FIG. 2 is a bottom-rear-right perspective view thereof;  
 FIG. 3 is a front elevated view thereof;  
 FIG. 4 is a rear elevated view thereof;  
 FIG. 5 is a top plan view thereof;  
 FIG. 6 is a bottom plan view thereof;  
 FIG. 7 is a right elevated view thereof;  
 FIG. 8 is a left elevated view thereof;  
 FIG. 9 is a top-front-left perspective view thereof, showing the foldable stand in a storage configuration;  
 FIG. 10 is a bottom-rear-right perspective view thereof, showing the foldable stand in the storage configuration;  
 FIG. 11 is a reduced top-front-left perspective view thereof, showing the foldable stand in an unfolded configuration; and,  
 FIG. 12 is a reduced bottom-rear-right perspective view thereof, showing the foldable stand in the unfolded configuration.

**1 Claim, 12 Drawing Sheets**



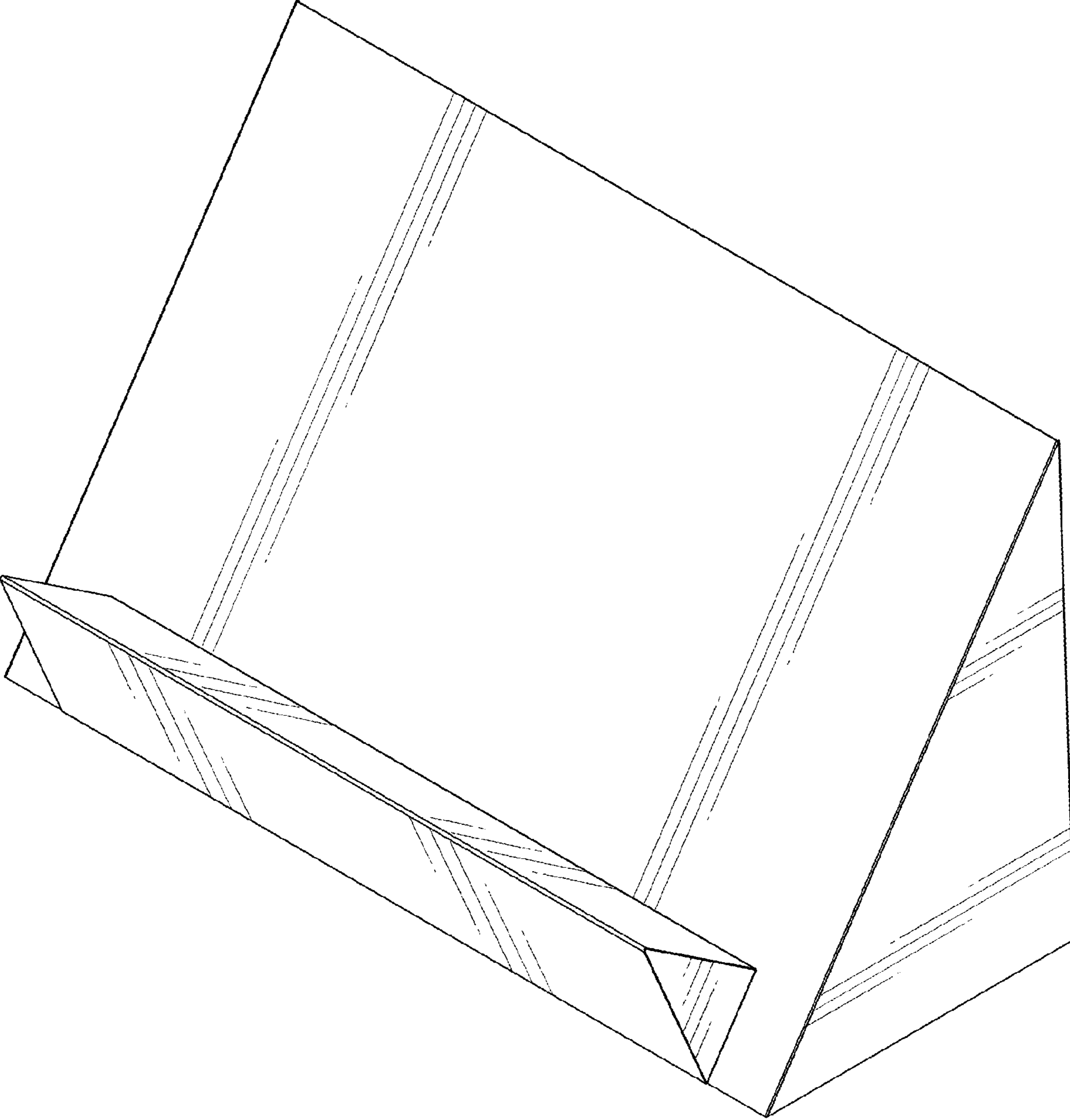


FIG. 1

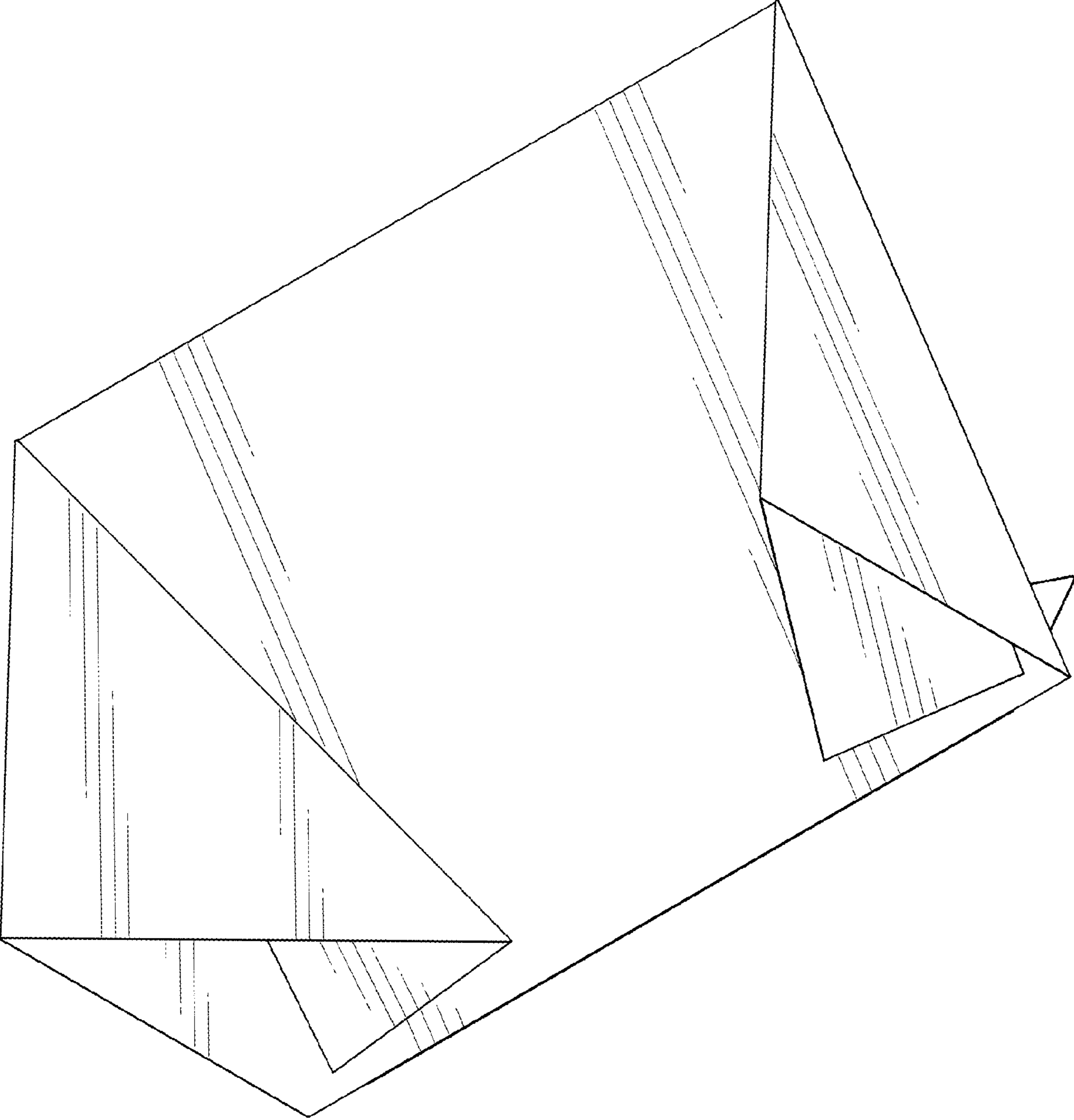


FIG. 2

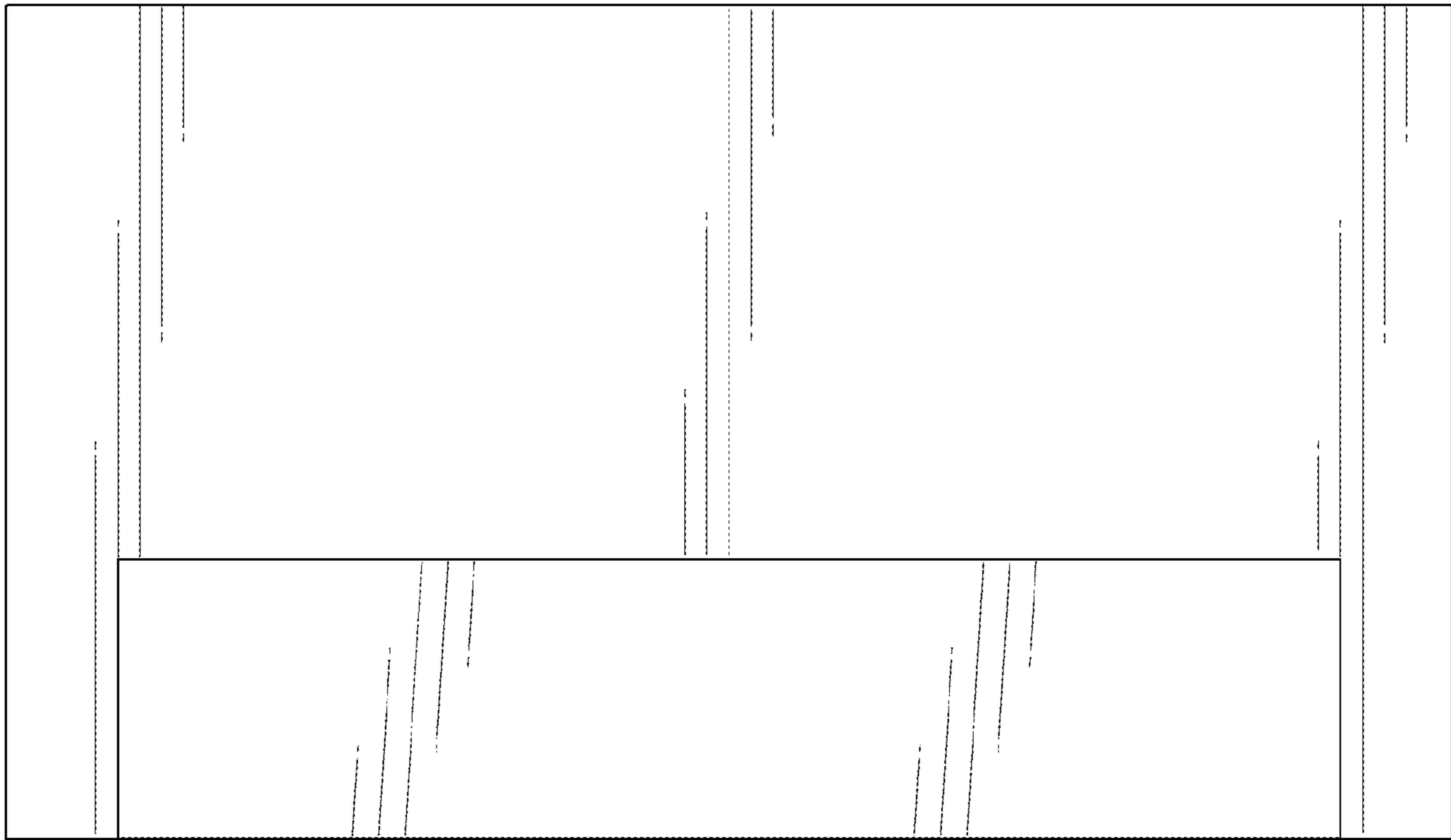


FIG. 3

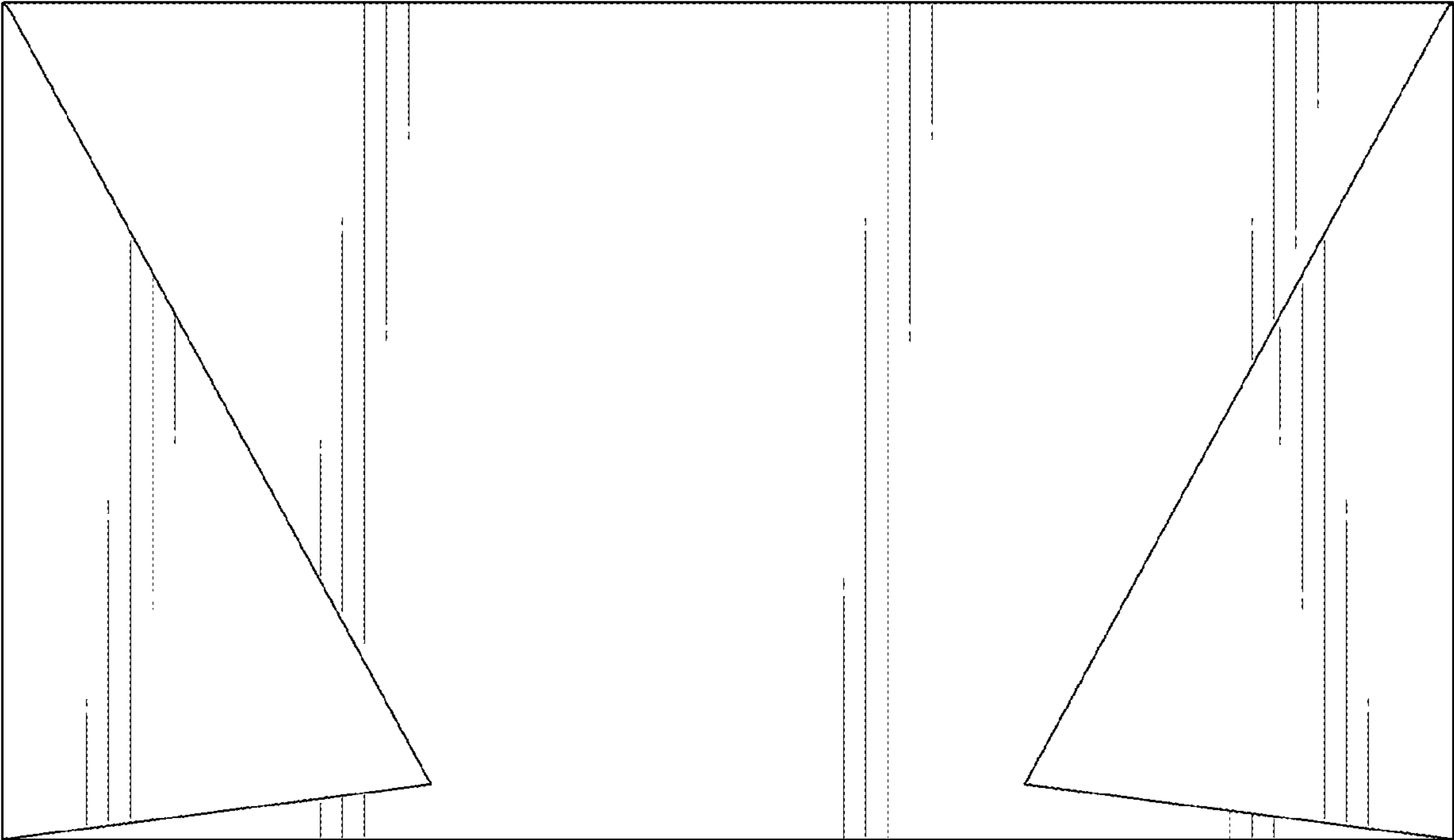


FIG. 4

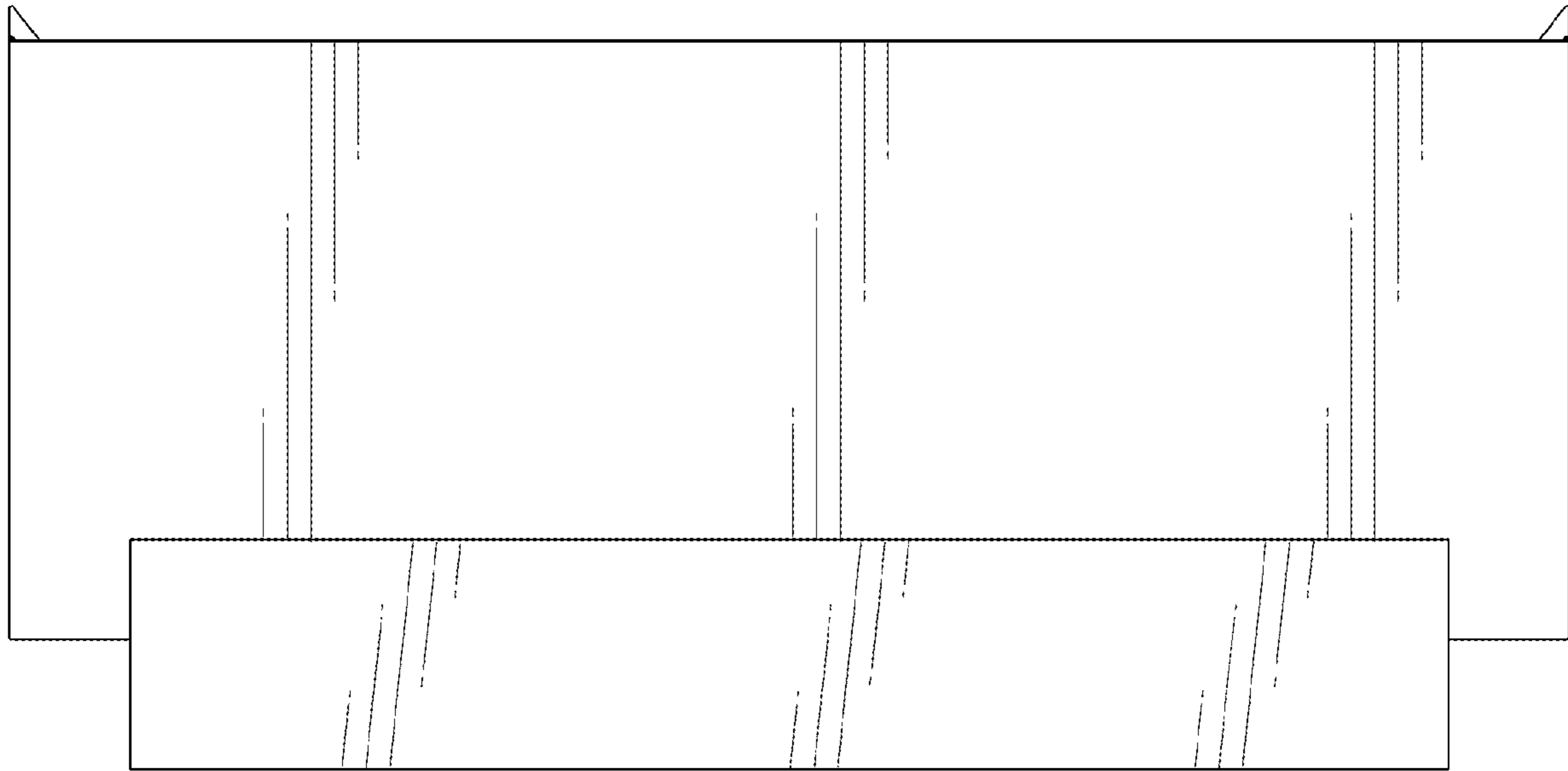


FIG. 5

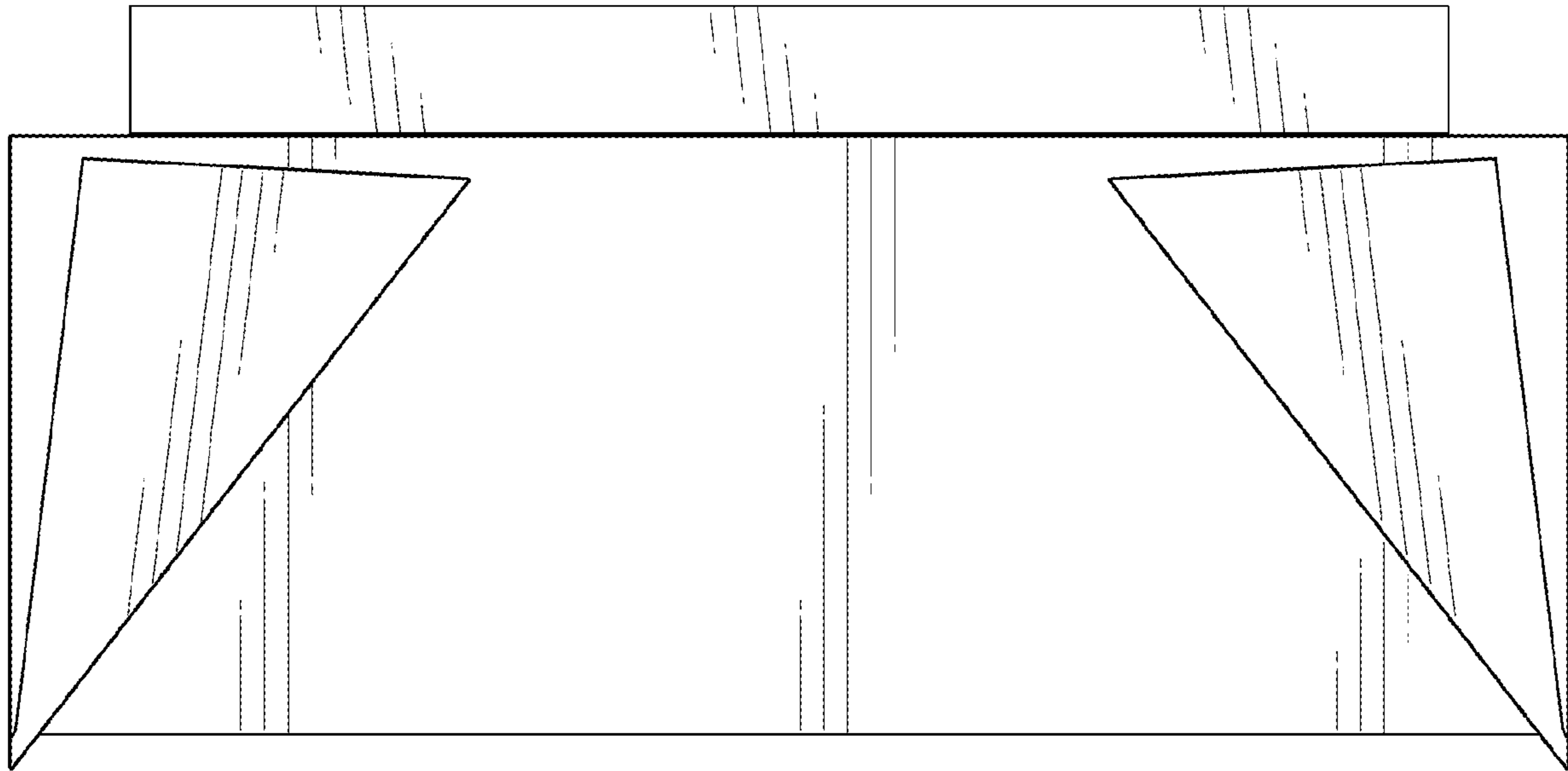


FIG. 6

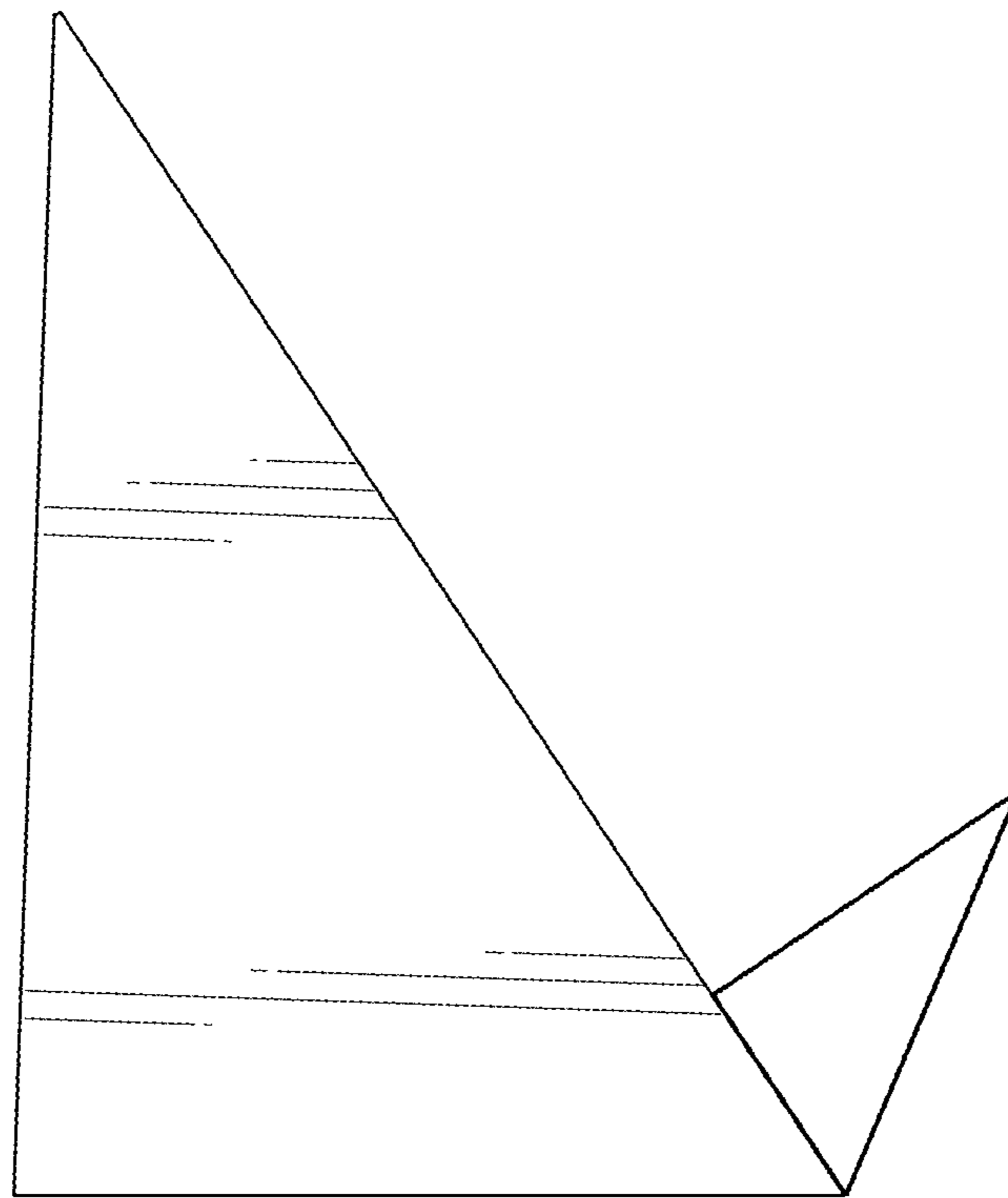


FIG. 7



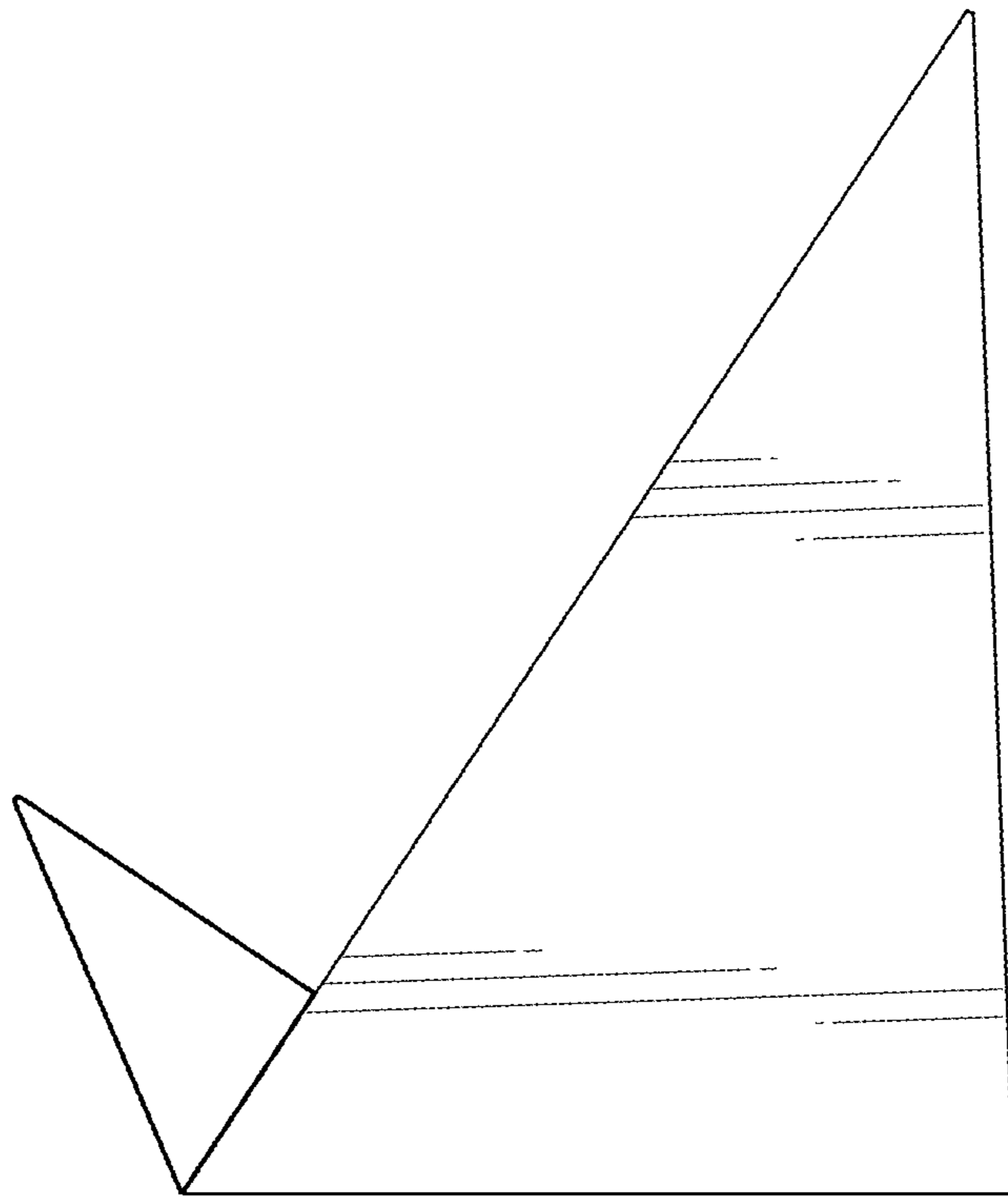


FIG. 8

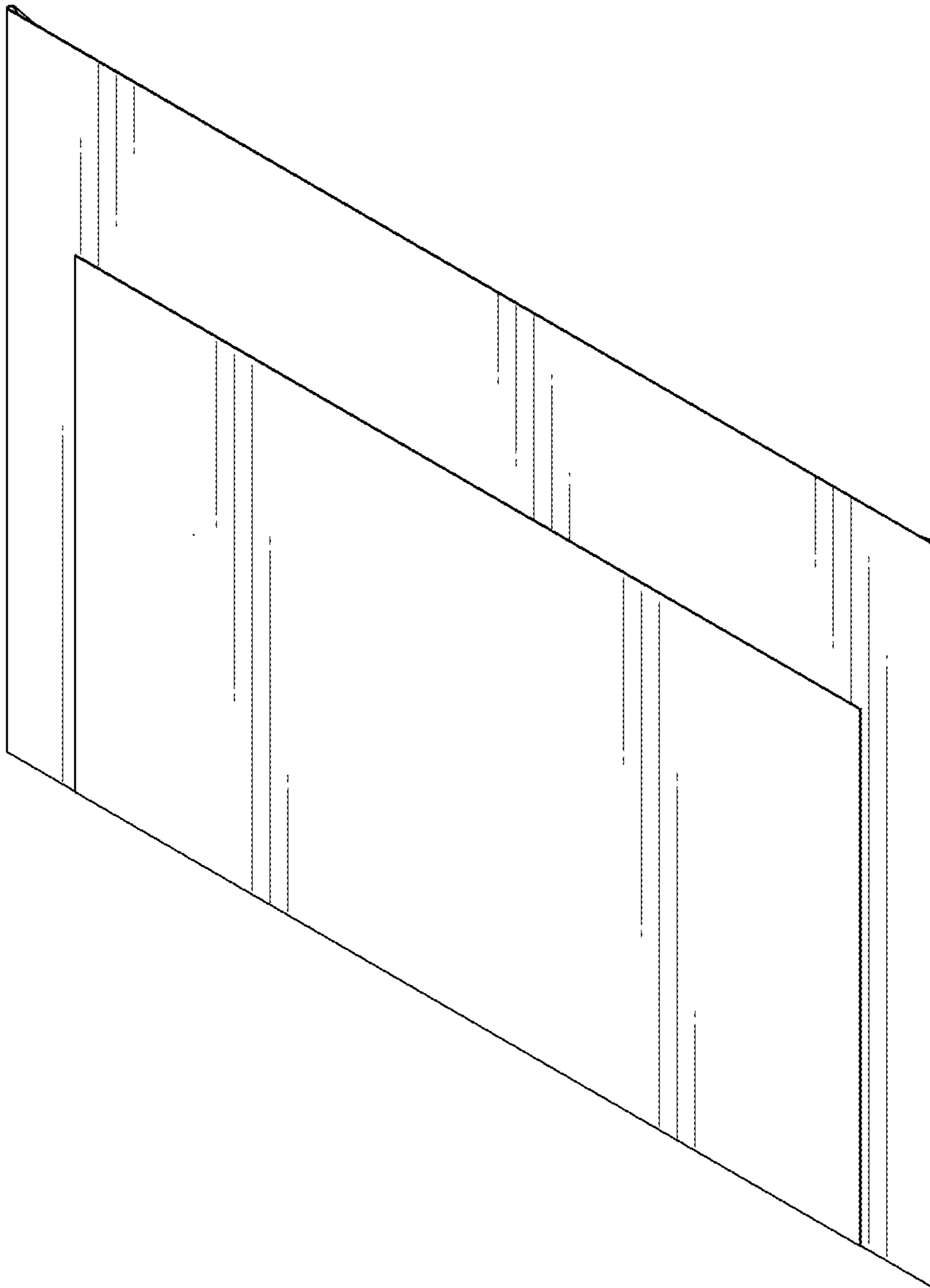


FIG. 9

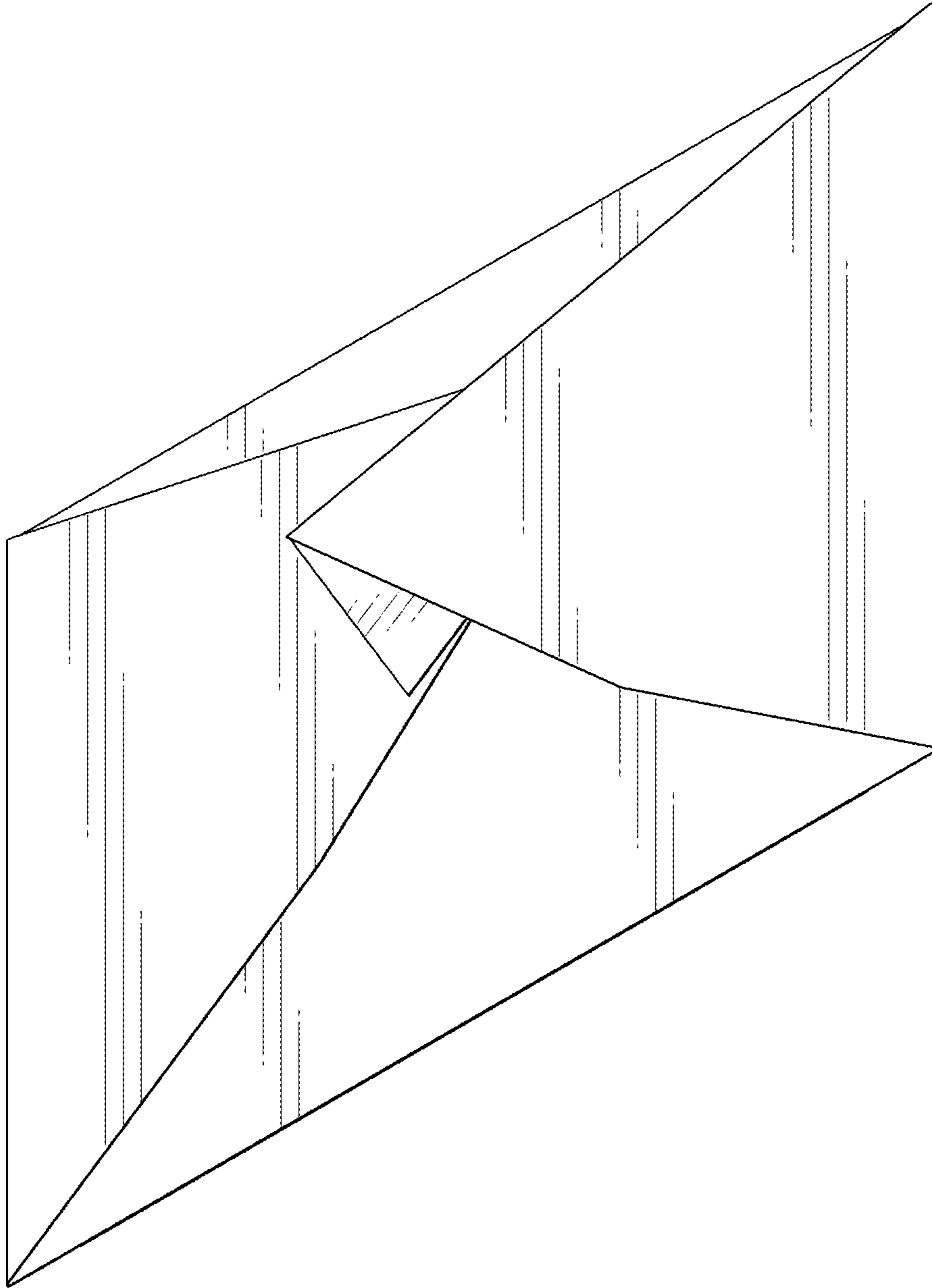


FIG. 10

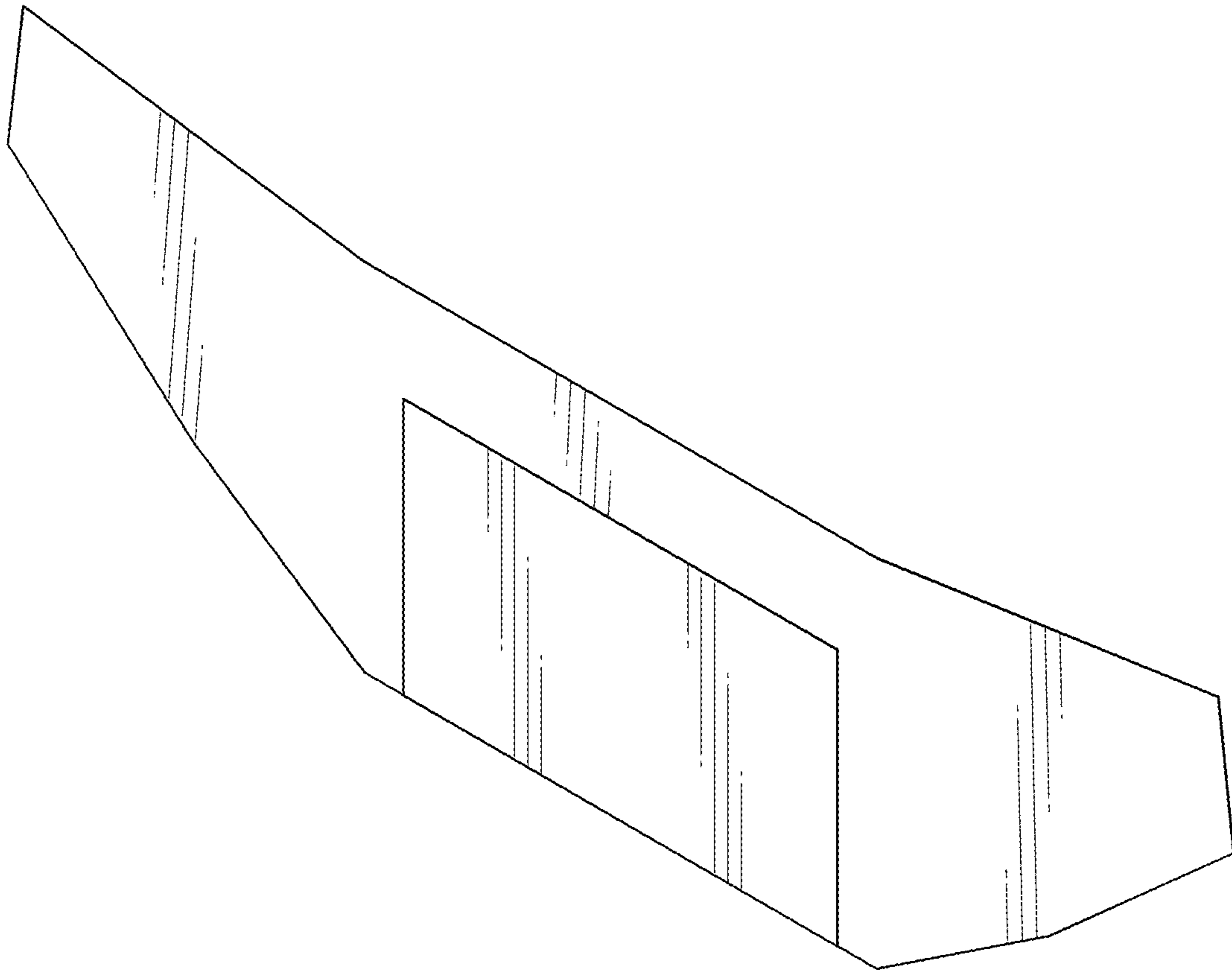


FIG. 11

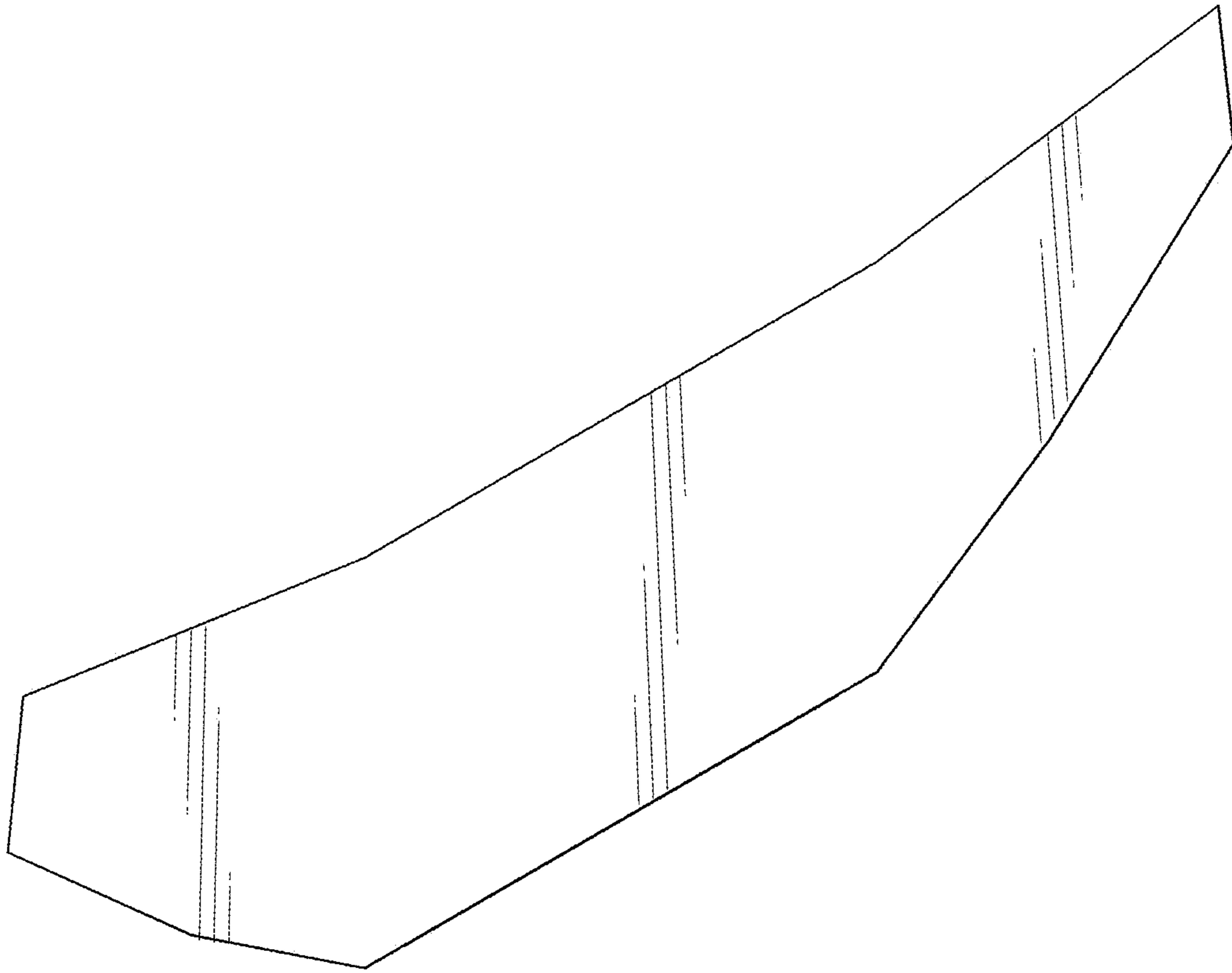


FIG. 12