



US00D943593S

(12) **United States Design Patent** (10) **Patent No.:** **US D943,593 S**
Chan et al. (45) **Date of Patent:** **** Feb. 15, 2022**

(54) **CASE FOR PORTABLE ELECTRONIC COMPUTING DEVICE**
(71) Applicant: **Pioneer Square Brands, Inc.**, Seattle, WA (US)
(72) Inventors: **Jaimie Emerald Chan**, Renton, WA (US); **Brian Lewis Piper**, Seattle, WA (US)
(73) Assignee: **PIONEER SQUARE BRANDS, INC.**, McLean, VA (US)
(**) Term: **15 Years**
(21) Appl. No.: **29/777,920**
(22) Filed: **Apr. 9, 2021**
(51) **LOC (13) Cl.** **14-02**
(52) **U.S. Cl.**
USPC **D14/440**
(58) **Field of Classification Search**
USPC D14/440, 447, 250; 206/45.23, 320, 206/45.2; 361/679.55; 294/25; 224/218; 455/575.8
CPC ... G06F 1/1628; G06F 1/1626; A47B 23/044; H04B 1/3888; A45C 11/00
See application file for complete search history.

(56) **References Cited**
U.S. PATENT DOCUMENTS
7,042,712 B2 * 5/2006 Ghosh G06F 1/1605 206/320
D658,188 S 4/2012 Diebel
D681,641 S 5/2013 Van Den Nieuwenhuizen et al.
D702,673 S * 4/2014 Murchison D14/250
D709,510 S 7/2014 Soare
D724,093 S * 3/2015 Dong D14/440
D737,276 S * 8/2015 Armstrong D14/440
D801,976 S * 11/2017 Li D14/440

D808,395 S 1/2018 Fenton
D810,732 S 2/2018 Fenton et al.
D816,087 S 4/2018 Fenton et al.
D817,334 S 5/2018 Fenton et al.
D837,219 S 1/2019 Gao
D837,796 S 1/2019 Kim et al.
D852,201 S 1/2019 Chan et al.
D841,012 S 2/2019 Kim et al.
D841,013 S 2/2019 Ferren et al.
D861,698 S 2/2019 Fenton et al.
D844,611 S 4/2019 Ferren et al.
D847,817 S 5/2019 Cheng
D848,441 S 5/2019 Ferren et al.
D850,452 S 6/2019 Akana et al.
D850,454 S 6/2019 Kim et al.
D852,199 S 6/2019 Kim et al.
D852,200 S 6/2019 Chan et al.
D852,802 S 7/2019 Gao
D863,314 S 7/2019 Chan et al.
D863,315 S 7/2019 Chan et al.
D864,210 S 7/2019 Chan et al.

(Continued)

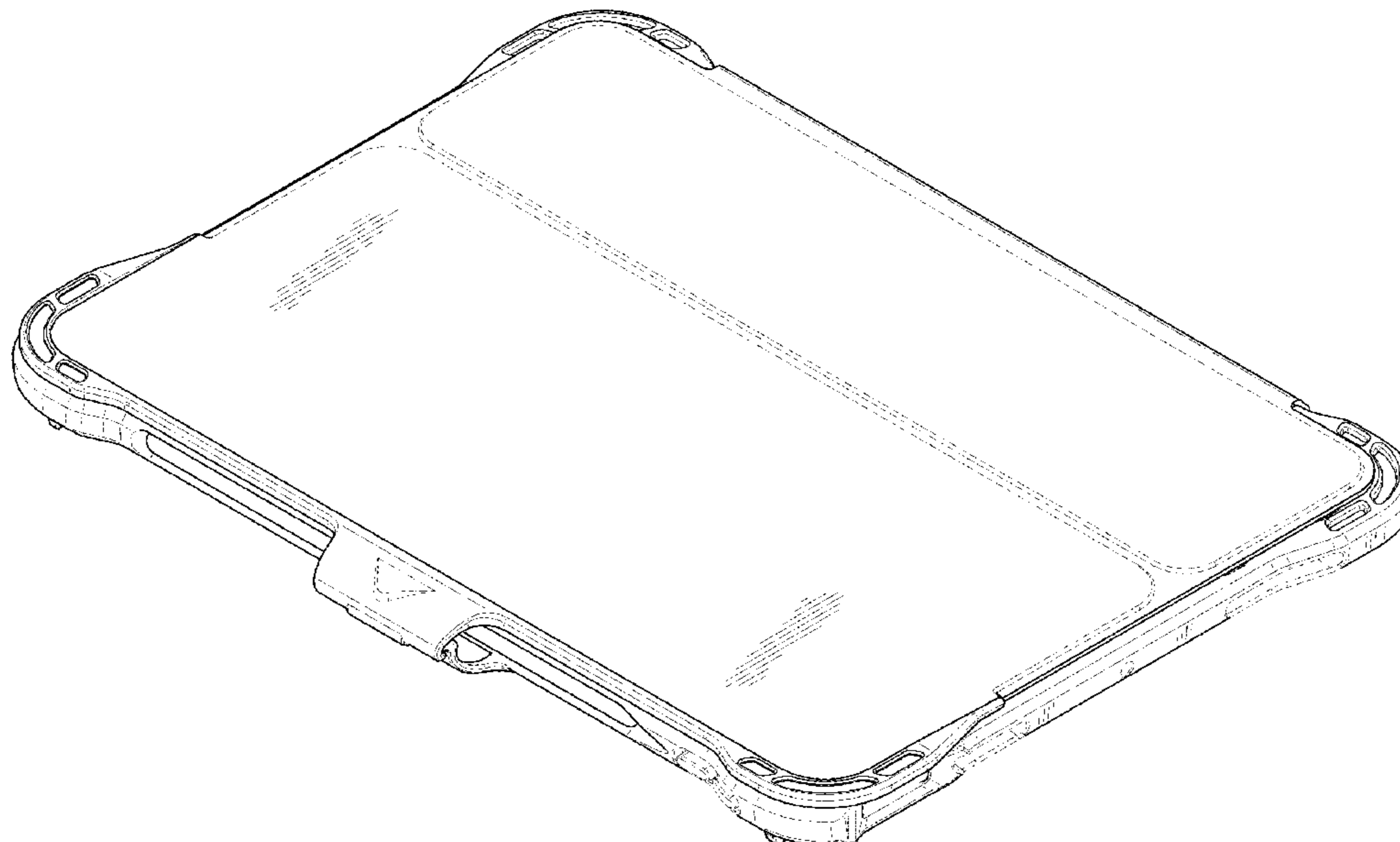
Primary Examiner — Cynthia R Underwood
(74) Attorney, Agent, or Firm — Grandview Law

(57) **CLAIM**
The ornamental design for a case for portable electronic computing device, as shown and described.

DESCRIPTION

FIG. 1 is a top perspective view of a case for portable electronic computing device showing our new design. FIG. 2 is a front elevational view thereof. FIG. 3 is a rear elevational view thereof. FIG. 4 is a right elevational view thereof. FIG. 5 is a left elevational view thereof. FIG. 6 is a top plan view thereof; and, FIG. 7 is a bottom plan view thereof. The features shown in broken lines in the drawing figures depict features that form no part of the claimed design.

1 Claim, 7 Drawing Sheets



(56)

References Cited

U.S. PATENT DOCUMENTS

D857,023 S *	8/2019	Hyun	D14/440	D910,026 S	2/2021	Li	
D863,316 S	9/2019	Chan et al.			D910,641 S	2/2021	Wu	
D862,480 S	10/2019	Chan et al.			D911,349 S	2/2021	Giazzon	
D863,317 S	10/2019	Piper et al.			D913,295 S	3/2021	Piper et al.	
D868,071 S *	11/2019	Liu	D14/440	D920,337 S *	5/2021	Chan D14/440
D868,789 S	12/2019	Weng			D920,983 S *	6/2021	Chan D14/440
D868,790 S	12/2019	Weng			D926,194 S *	7/2021	Piper D14/440
D874,467 S	2/2020	Piper et al.			D928,167 S *	8/2021	Cheng D14/440
D881,895 S	4/2020	Liu			D937,842 S *	12/2021	Hung D14/440
D883,989 S	5/2020	Cheng			2001/0009500 A1 *	7/2001	Selker G06F 3/0395 361/679.55
D887,415 S *	6/2020	Claudepierre	D14/440	2009/0017883 A1 *	1/2009	Lin H04M 1/026 455/575.8
D888,063 S	6/2020	Chan et al.			2010/0294909 A1 *	11/2010	Hauser B42D 9/00 248/456
D888,718 S	6/2020	Xu			2011/0290687 A1 *	12/2011	Han A45C 3/02 206/320
D888,719 S *	6/2020	Moore	D14/440	2012/0140396 A1 *	6/2012	Zeliff G06F 1/1632 361/679.09
D892,128 S *	8/2020	Chen	D14/440	2012/0194448 A1 *	8/2012	Rothkopf G06F 1/1616 345/173
D892,804 S	8/2020	Lin			2014/0139989 A1 *	5/2014	Mori G06F 1/1626 361/679.09
D892,806 S	8/2020	Manazo et al.			2015/0266610 A1 *	9/2015	Melmon A45C 11/00 206/45.23
D895,630 S	9/2020	Piper et al.			2015/0280768 A1 *	10/2015	Huang H04B 1/3888 455/575.8
D902,934 S	11/2020	Manzano et al.			2015/0296060 A1 *	10/2015	Gu G06F 1/162 455/575.4
D905,698 S	12/2020	Wall			2016/0349794 A1 *	12/2016	Yeh G06F 3/0426
D905,699 S	12/2020	Hyun						
D906,334 S	12/2020	Du						
D906,338 S	12/2020	Hyun						
D906,341 S	12/2020	Jiao						
D907,638 S	1/2021	Yang						
D908,129 S	1/2021	Nyholm et al.						
D908,132 S	1/2021	Poon						
D908,708 S	1/2021	Miller et al.						

* cited by examiner

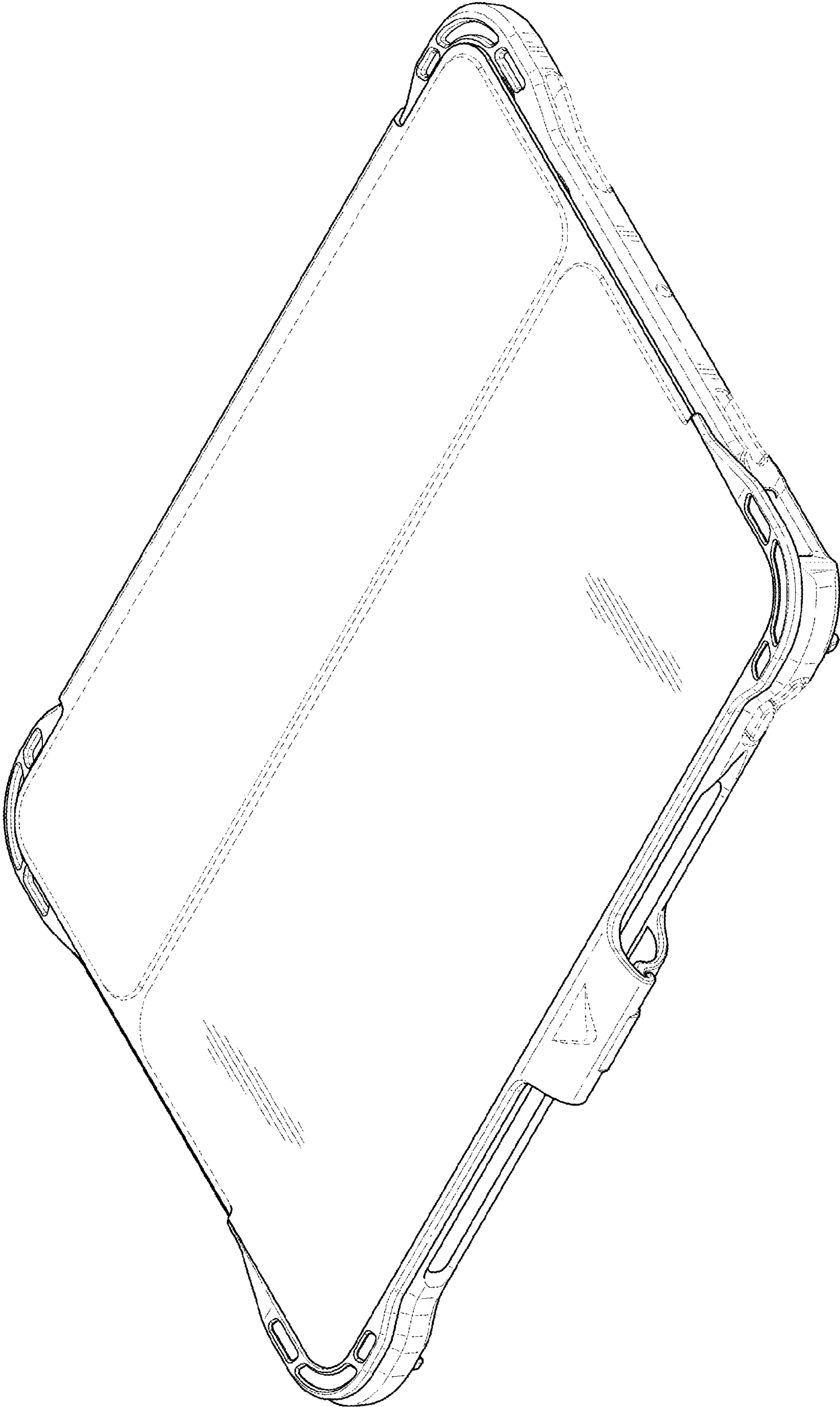


FIG. 1

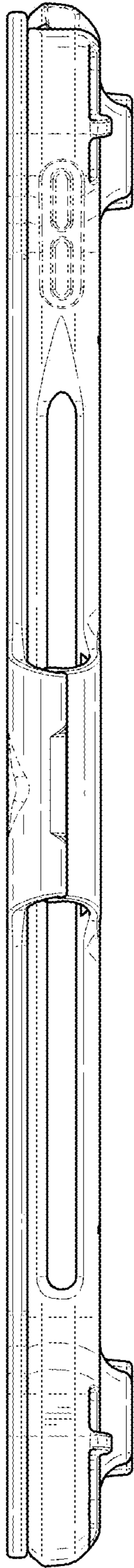


FIG. 2

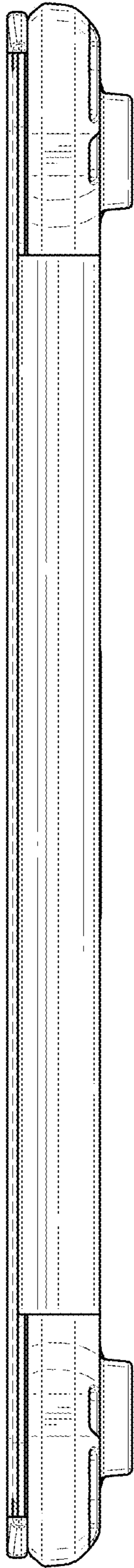


FIG. 3

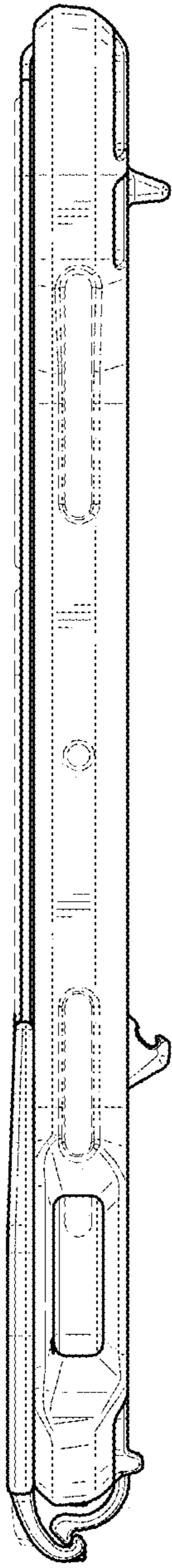


FIG. 4

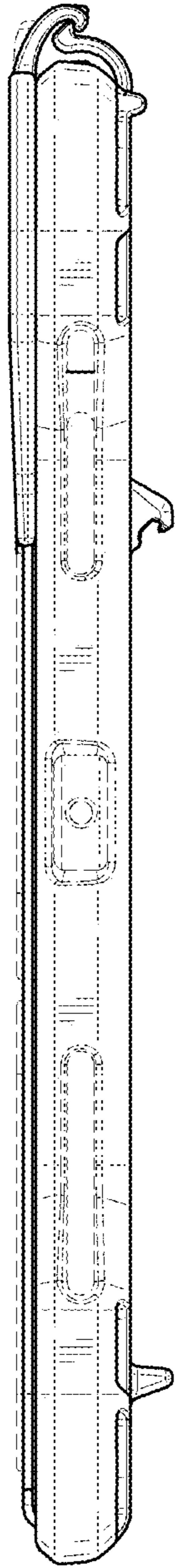


FIG. 5

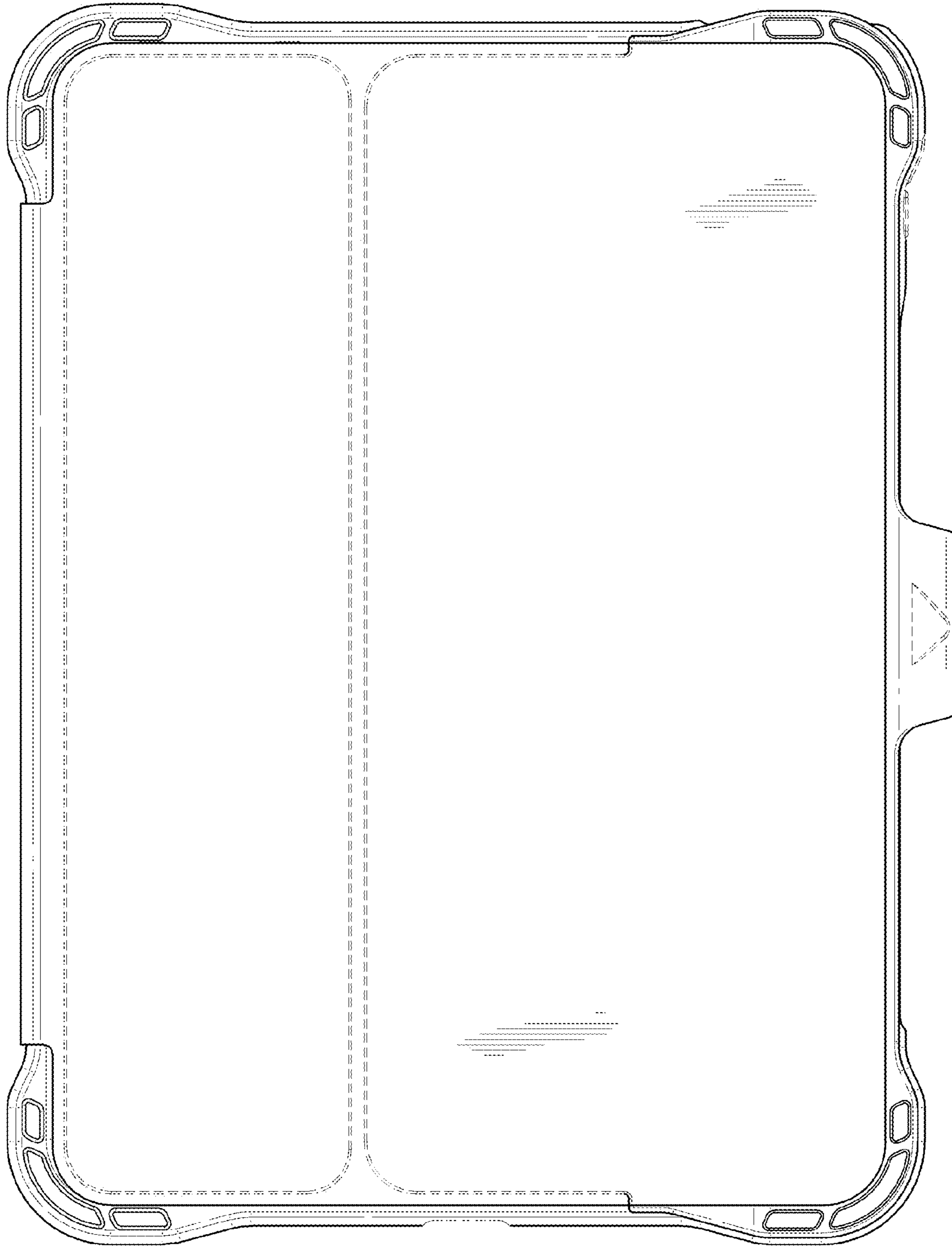


FIG. 6

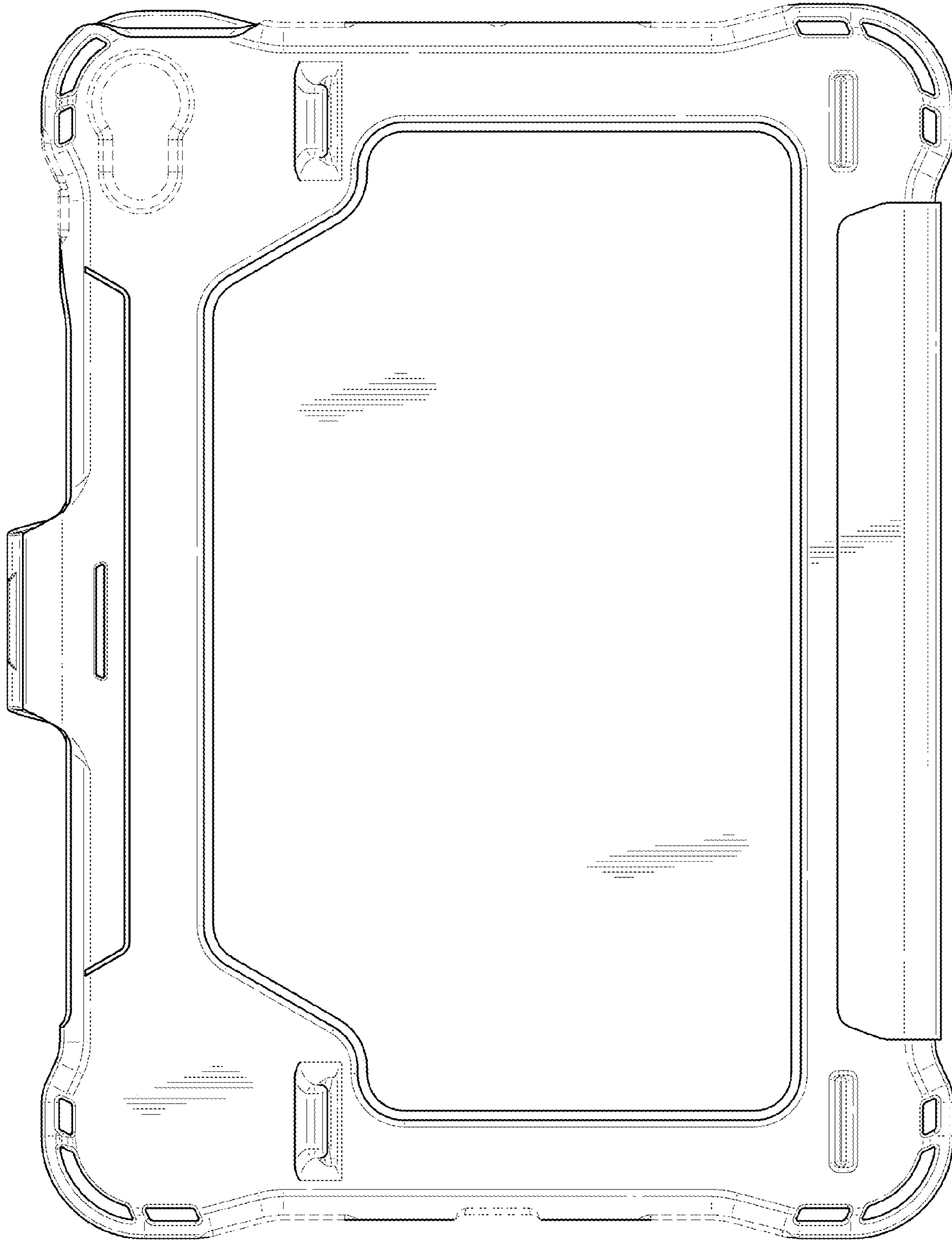


FIG. 7