

US00D943591S

(12) **United States Design Patent**
Zhu

(10) **Patent No.:** **US D943,591 S**

(45) **Date of Patent:** **** Feb. 15, 2022**

(54) **TABLET CASE**

(71) Applicant: **Kun Zhu**, Hanzhong (CN)

(72) Inventor: **Kun Zhu**, Hanzhong (CN)

(**) Term: **15 Years**

(21) Appl. No.: **29/768,873**

(22) Filed: **Feb. 2, 2021**

(51) **LOC (13) Cl.** **14-02**

(52) **U.S. Cl.**
USPC **D14/440**

(58) **Field of Classification Search**
USPC D14/440, 447, 250; 206/45.23, 320,
206/45.2; 361/679.55; 294/25; 224/218;
455/575.8

CPC ... G06F 1/1628; G06F 1/1626; A47B 23/044;
H04B 1/3888; A45C 11/00

See application file for complete search history.

D808,973 S *	1/2018	Chen	D14/440
D831,030 S *	10/2018	Gao	D14/440
D832,269 S *	10/2018	Cheng	D14/440
D832,271 S *	10/2018	Cheng	D14/440
10,148,307 B2 *	12/2018	Shannon, III	G06F 1/1628
D843,377 S *	3/2019	Tang	D14/440
D844,621 S *	4/2019	Chen	D14/440
D847,817 S *	5/2019	Cheng	D14/440
D850,451 S *	6/2019	Chen	D14/440
D850,453 S *	6/2019	Wu	D14/440
D851,648 S *	6/2019	Tan	D14/440
D852,203 S *	6/2019	Rui	D14/440
D861,665 S *	10/2019	Li	D14/250
D868,071 S *	11/2019	Liu	D14/440
D868,072 S *	11/2019	Lei	
D868,788 S *	12/2019	Weng	D14/440

(Continued)

Primary Examiner — Cynthia R Underwood

(57) **CLAIM**

The ornamental design for a tablet case, as shown and described.

DESCRIPTION

FIG. 1 is a perspective view of a tablet case showing my new design;

FIG. 2 is another perspective view thereof;

FIG. 3 is a front elevational view thereof;

FIG. 4 is a rear elevational view thereof;

FIG. 5 is a left side elevational view thereof;

FIG. 6 is a right side elevational view thereof;

FIG. 7 is a top plan view thereof;

FIG. 8 is a bottom plan view thereof;

FIG. 9 is a perspective view of the tablet case where a tablet is accommodated in the tablet case; and,

FIG. 10 is a perspective view of the tablet case where a kickstand of the tablet case is in a close state.

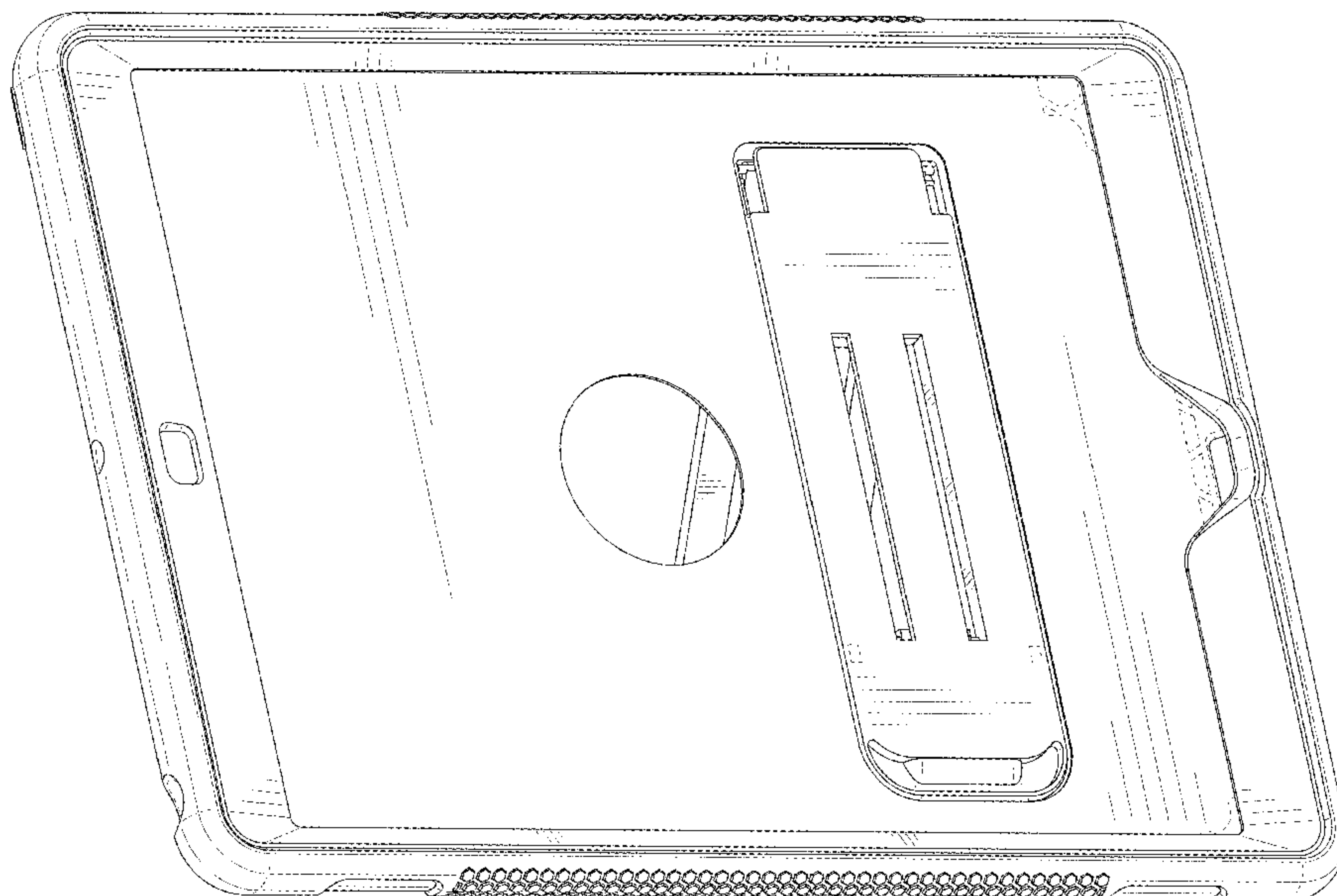
The broken lines in the drawings depict portions of the tablet case that form no part of the claimed design.

1 Claim, 10 Drawing Sheets

(56) **References Cited**

U.S. PATENT DOCUMENTS

D597,052 S *	7/2009	Kim	D14/138 AB
D634,314 S *	3/2011	Fahrendorff	D14/250
D649,144 S *	11/2011	Fathollahi	D14/250
D685,358 S *	7/2013	Armstrong	D14/250
D685,786 S *	7/2013	Seoc	D14/353
D690,292 S *	9/2013	Bibla	D14/250
D715,785 S *	10/2014	Jacob	D14/250
D719,144 S *	12/2014	Eulette	D14/250
D721,686 S *	1/2015	Jacob	D14/250
D733,154 S *	6/2015	Armstrong	D14/440
D733,696 S *	7/2015	Burgett	D14/250
D742,869 S *	11/2015	Odhwani	D14/250
D768,123 S *	10/2016	Armstrong	D14/250
D770,458 S *	11/2016	Corcoran	D14/440
D772,288 S *	11/2016	Montes	D14/489
D775,198 S *	12/2016	Montes	D14/489
D794,626 S *	8/2017	Armstrong	D14/250
D806,082 S *	12/2017	Armstrong	D14/440



(56)

References Cited

U.S. PATENT DOCUMENTS

D868,789 S * 12/2019 Weng D14/440
D868,791 S * 12/2019 Weng D14/440
D872,093 S * 1/2020 Xu D14/440
D875,089 S * 2/2020 Hemesath D14/250
D879,788 S * 3/2020 Gao D14/440
D879,790 S * 3/2020 Donachy D14/444
D885,399 S * 5/2020 Chen D14/440
D885,403 S * 5/2020 Ma D14/440
D890,156 S * 7/2020 Kim D14/250
D892,803 S * 8/2020 Armstrong D14/440
D900,828 S * 11/2020 Chen D14/440
D916,708 S * 4/2021 Ke D14/440
D917,491 S * 4/2021 Cheng D14/440
D930,002 S * 9/2021 Zhou D14/440
2011/0297566 A1 * 12/2011 Gallagher F16M 11/2021
206/320
2019/0142992 A1 * 5/2019 Davidson C08G 18/10
424/445
2019/0144163 A1 * 5/2019 Lim B65D 19/385
108/53.5
2019/0149808 A1 * 5/2019 Ng H04N 13/327
348/59
2019/0275714 A1 * 9/2019 Kanoh B29C 45/14065

* cited by examiner

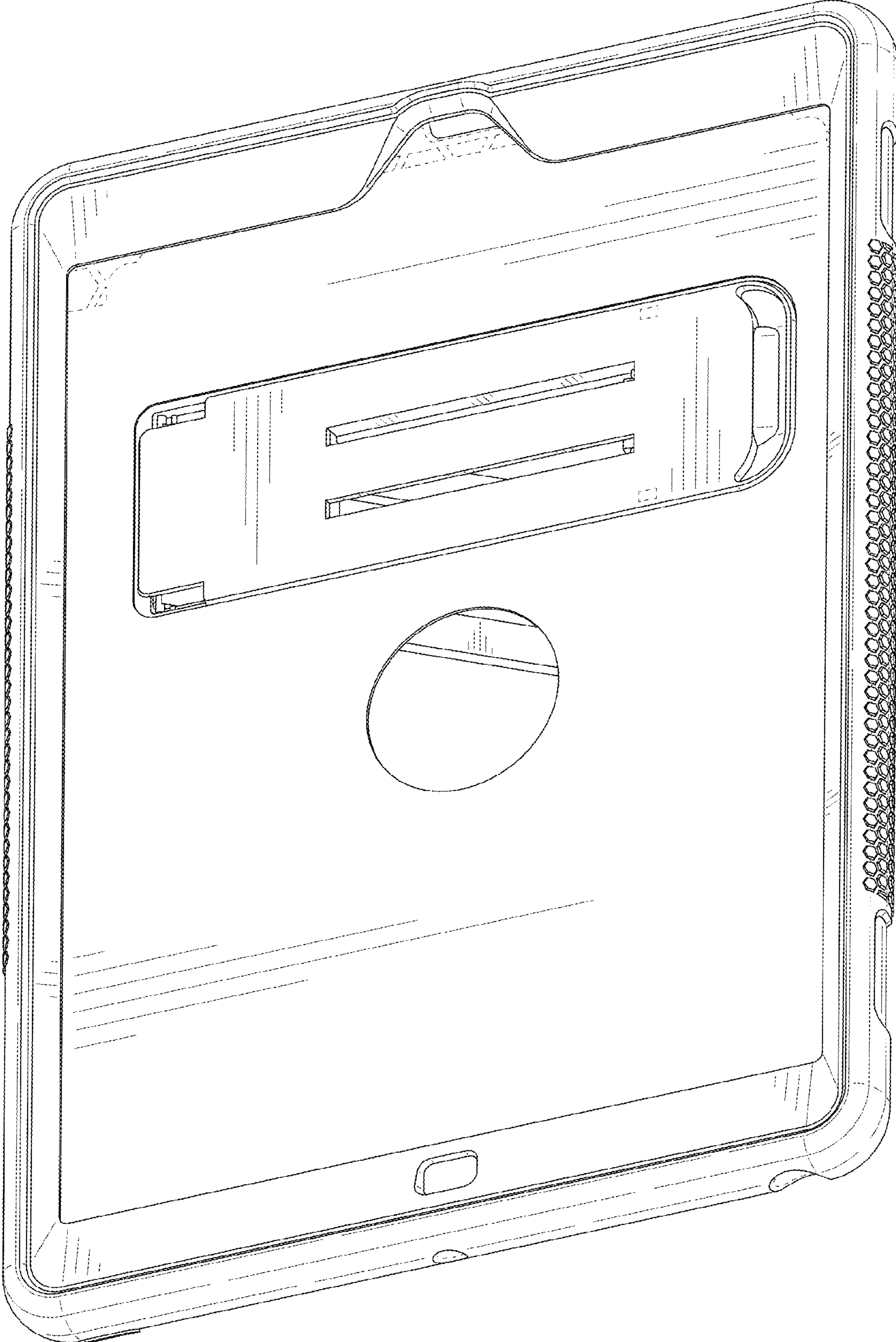


FIG. 1

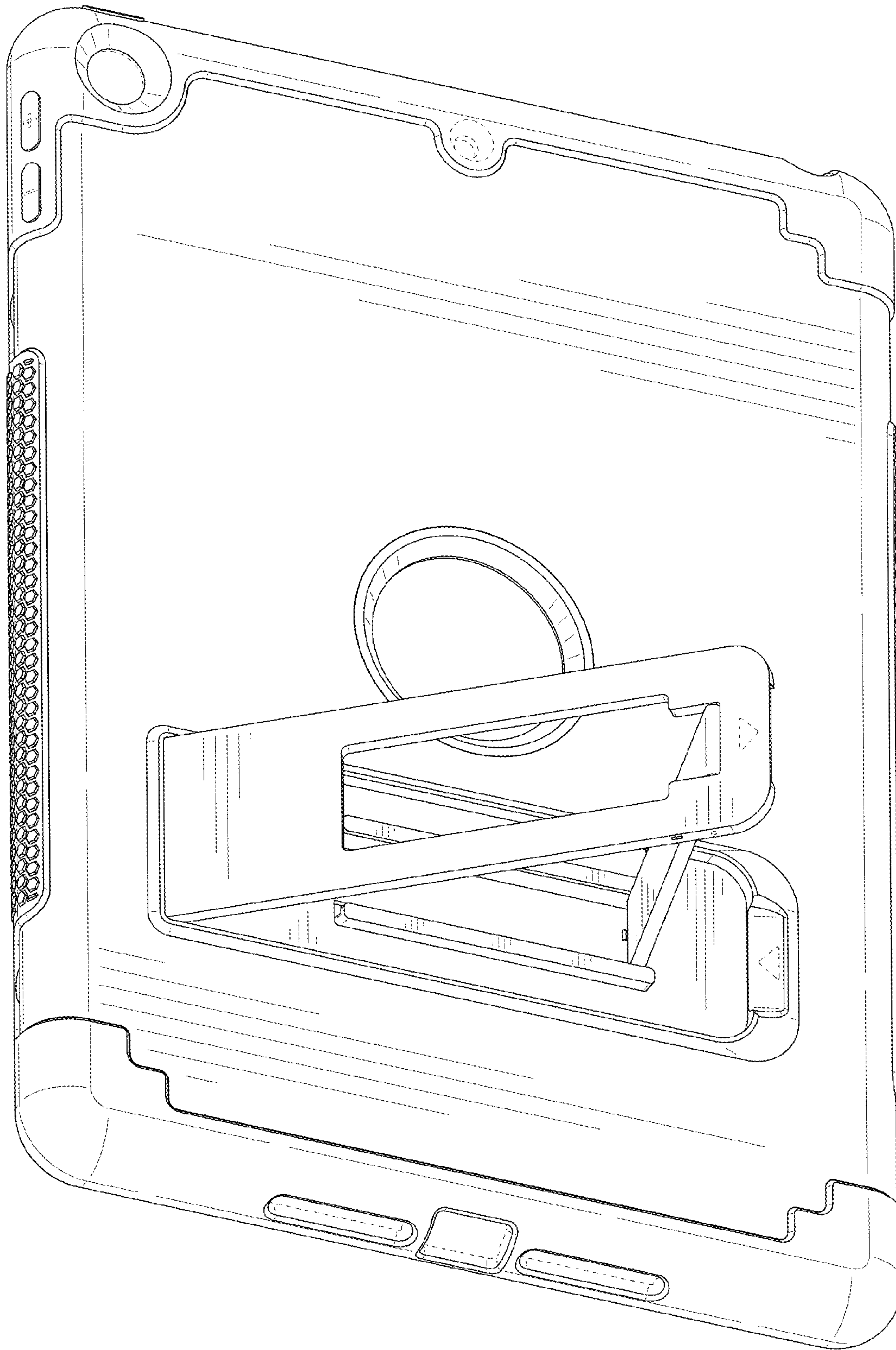


FIG. 2

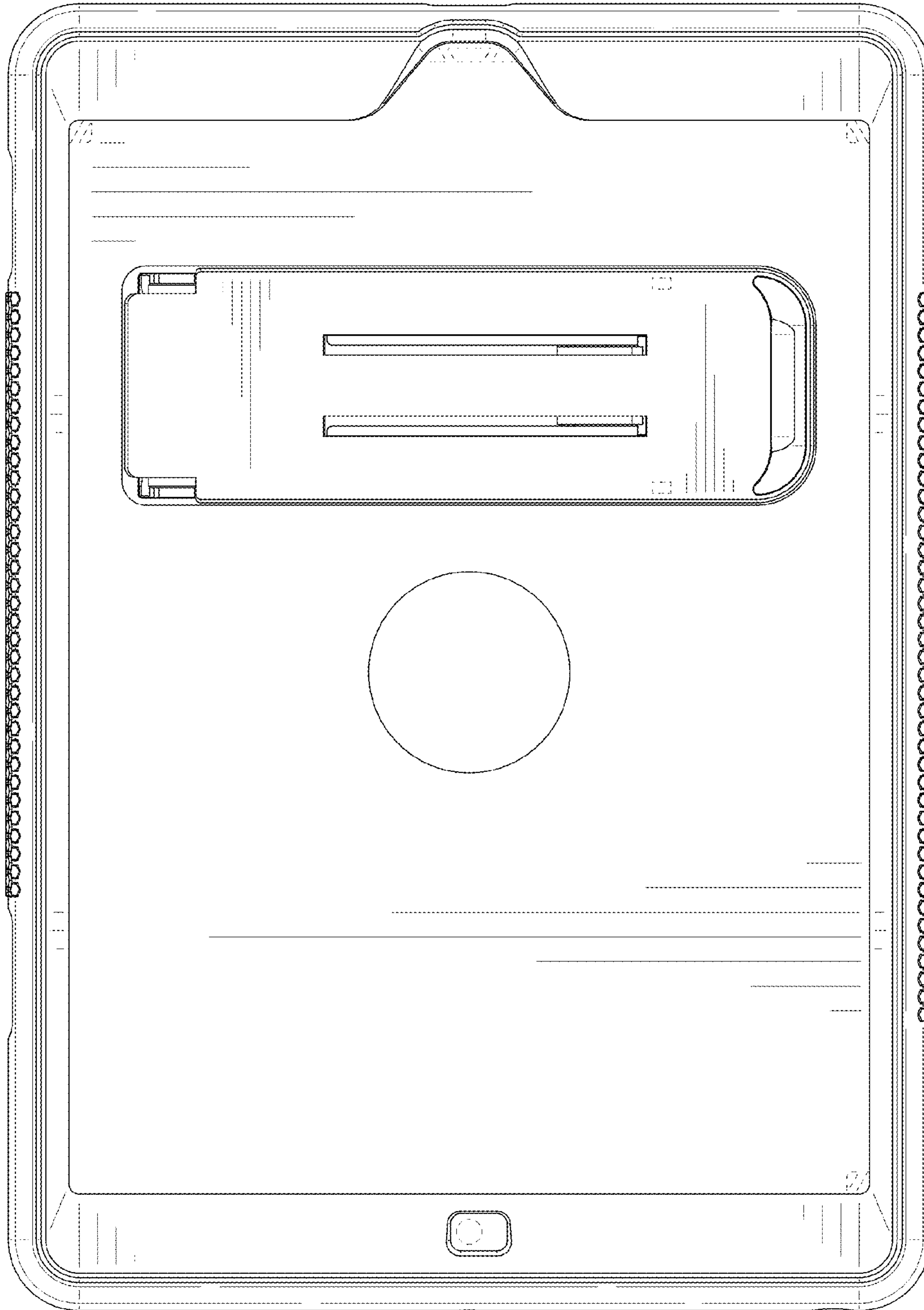


FIG. 3

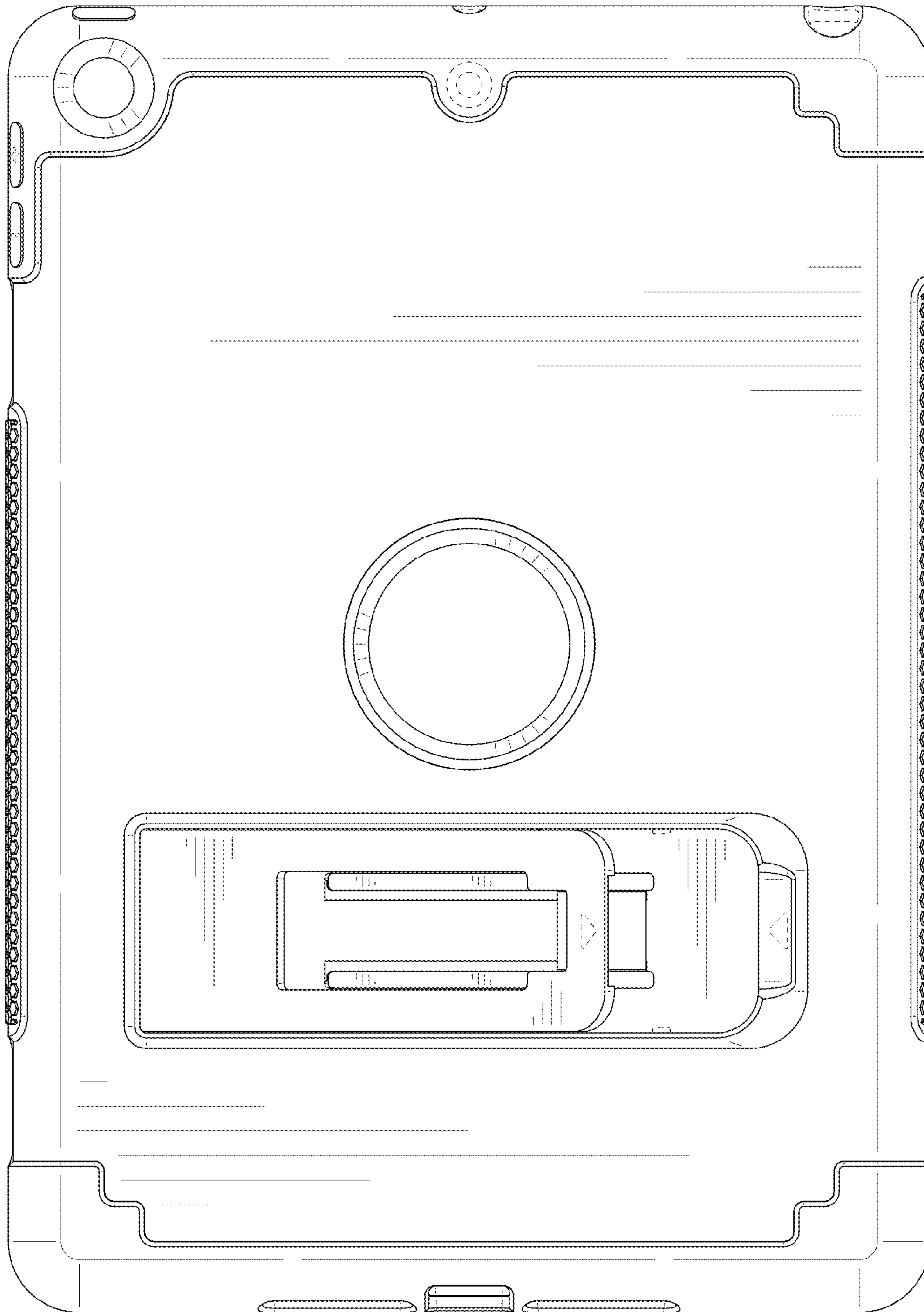


FIG. 4

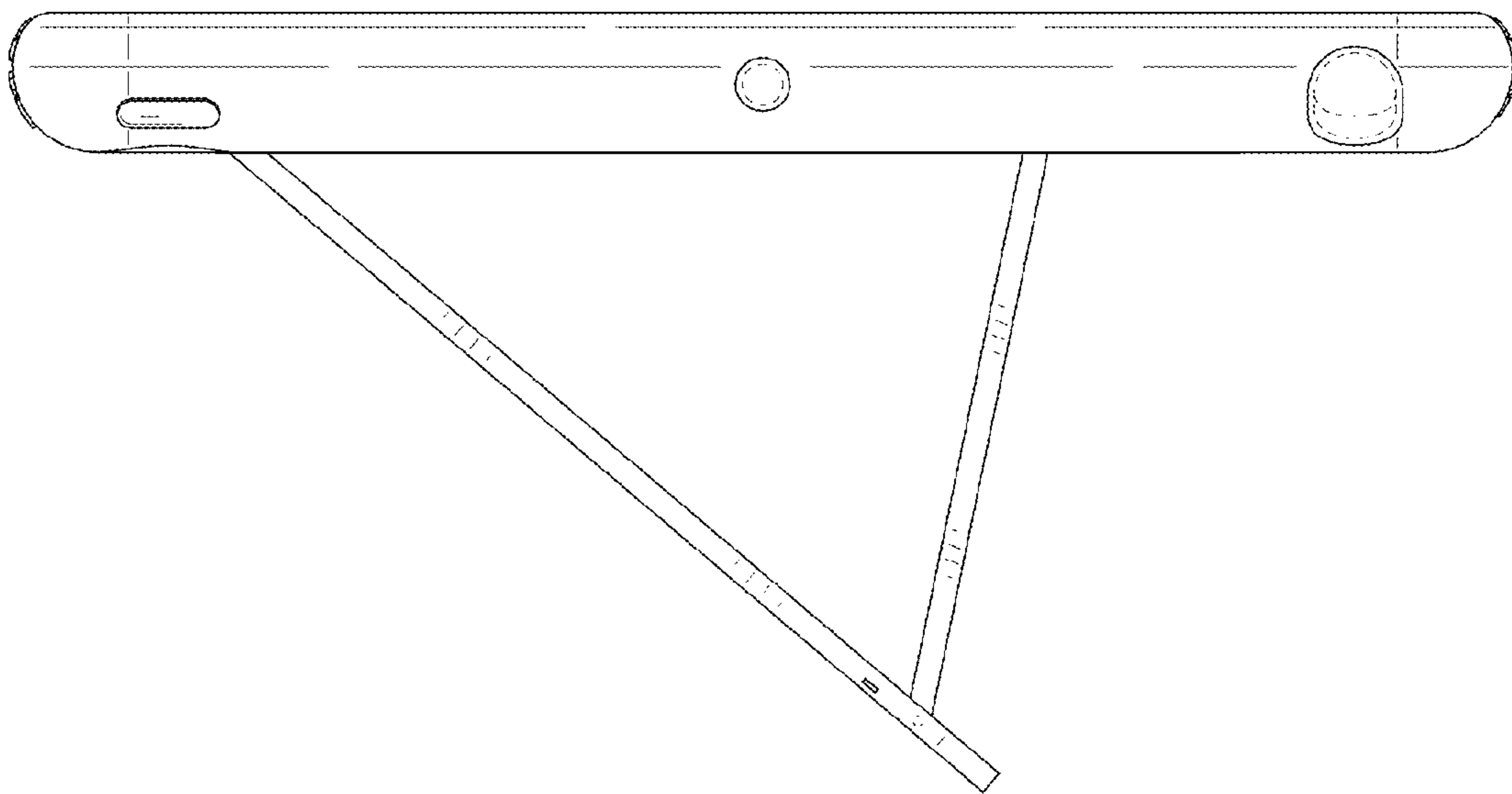


FIG. 5

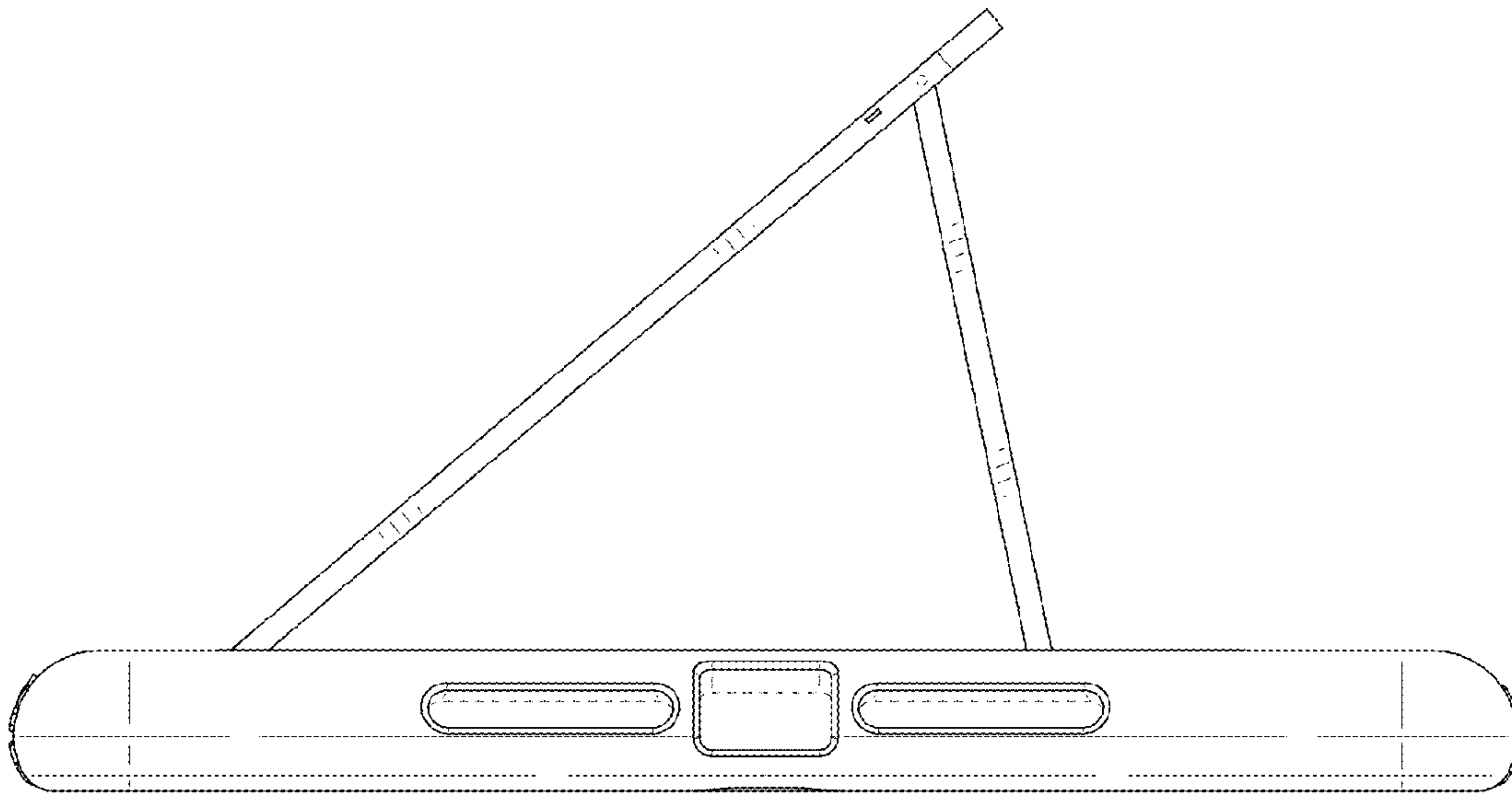


FIG. 6

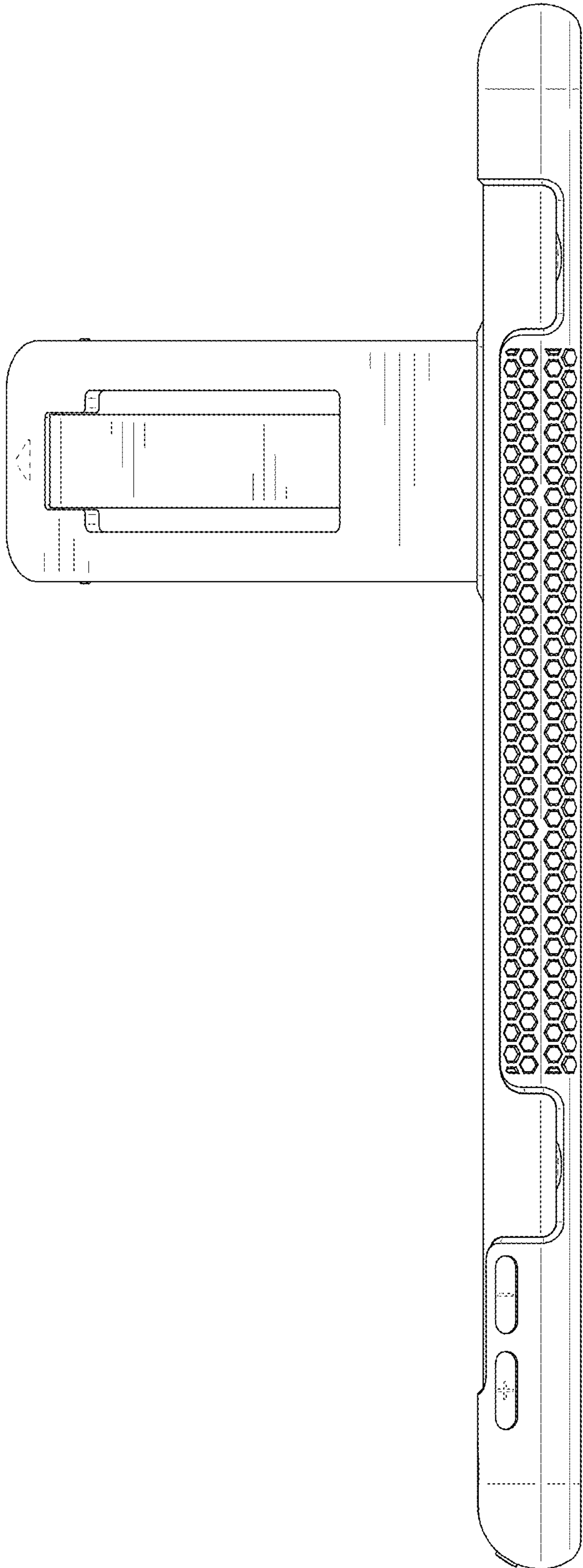


FIG. 7

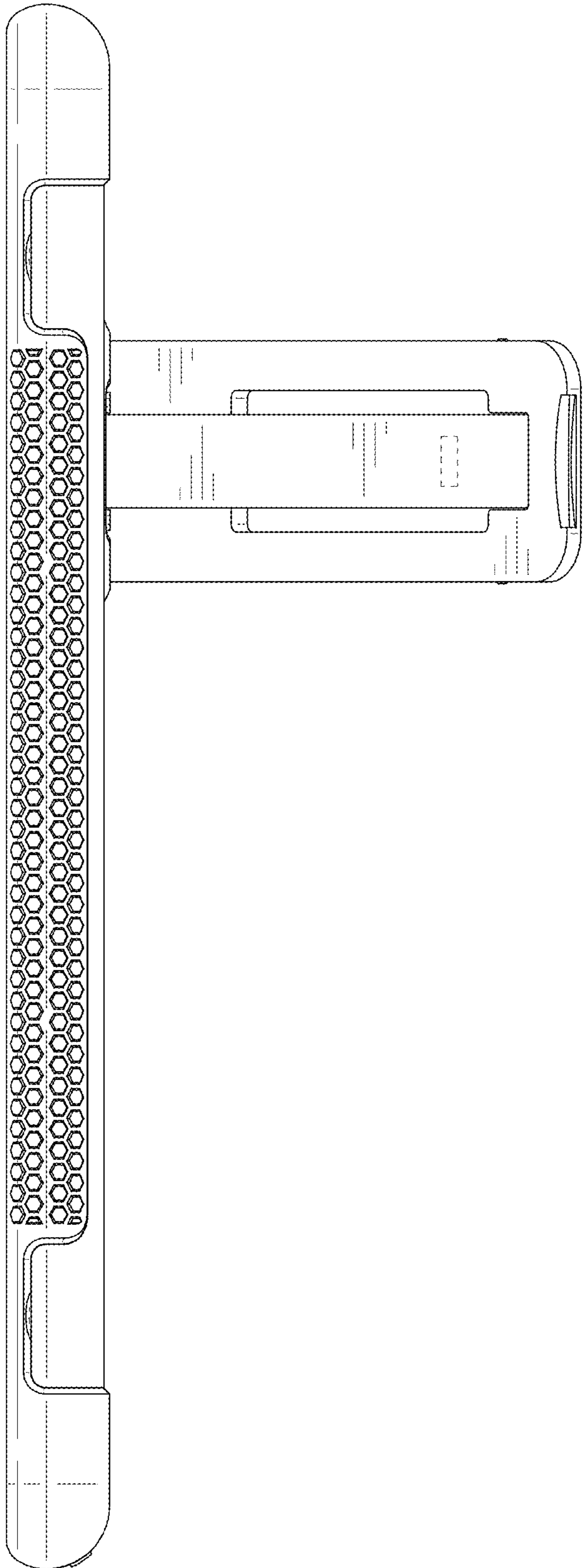


FIG. 8

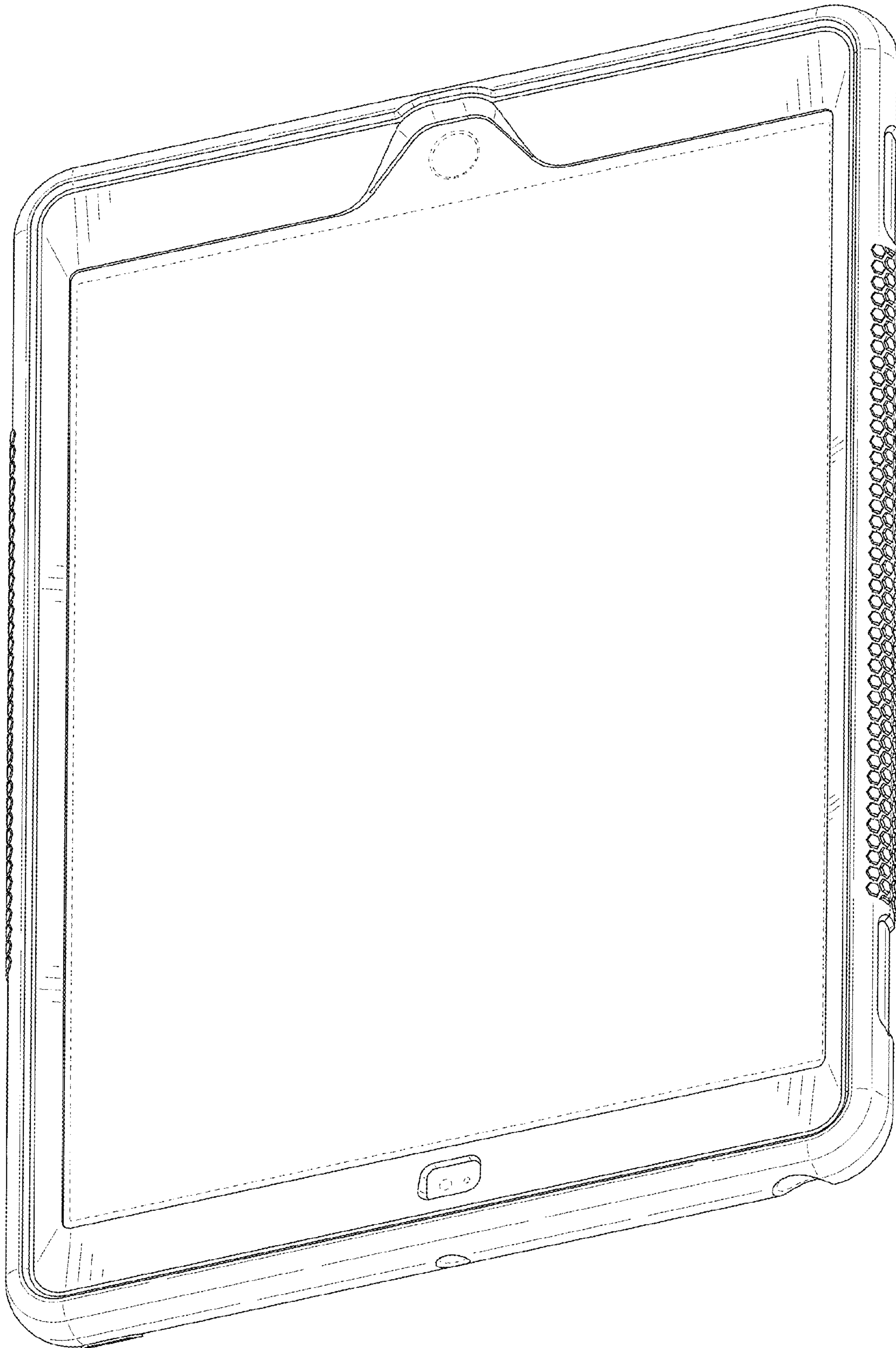


FIG. 9

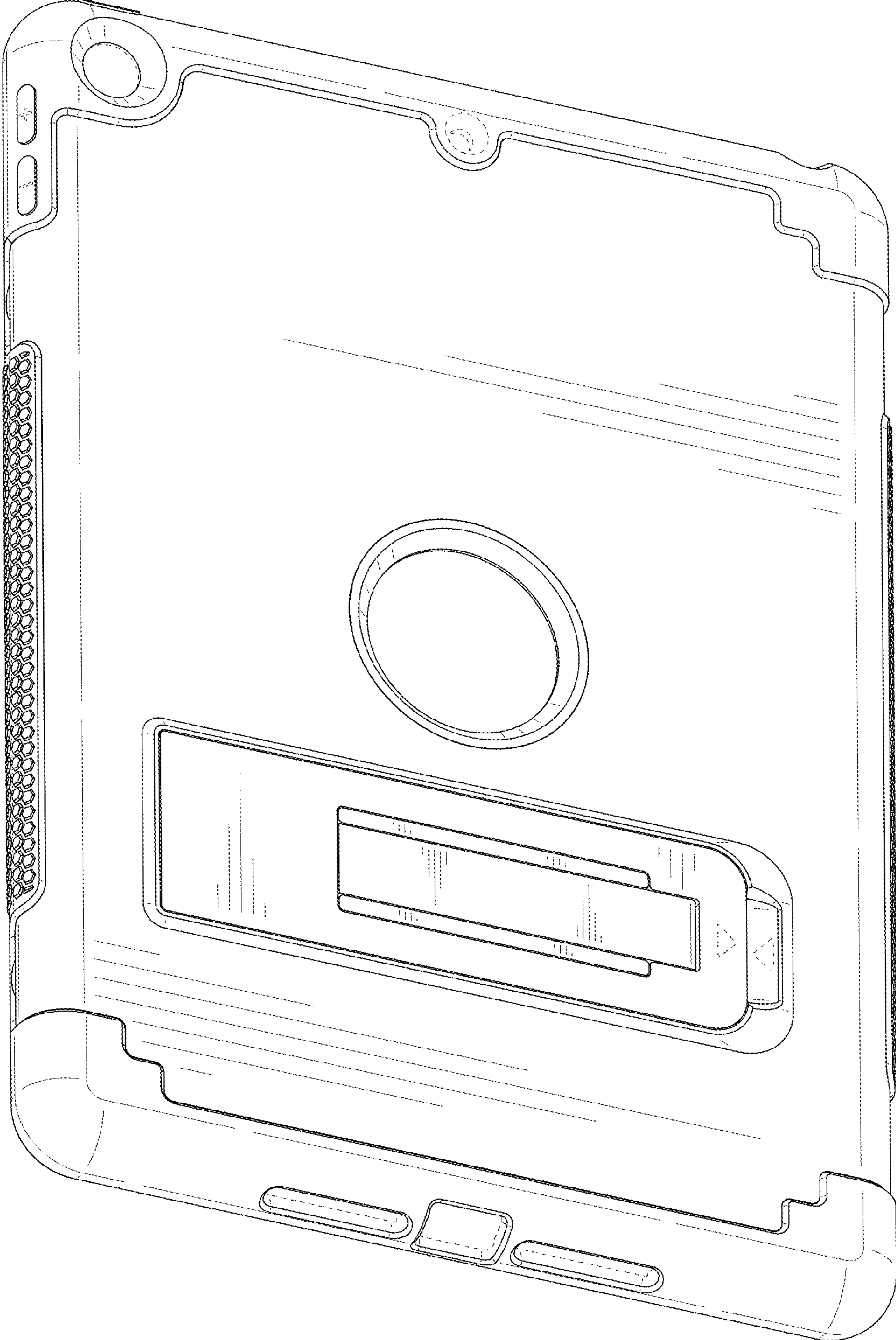


FIG. 10