



US00D943590S

(12) **United States Design Patent** (10) **Patent No.:** **US D943,590 S**
Price et al. (45) **Date of Patent:** **** Feb. 15, 2022**

(54) **ELECTRONIC CASE WITH HANDLE**
(71) Applicant: **Speculative Product Design, LLC**, San Mateo, CA (US)
(72) Inventors: **Logan Price**, Rexburg, ID (US); **Alan Yu Tung Ng**, San Francisco, CA (US); **Darrick Del Moral**, San Bruno, CA (US); **Bryan Lee Hyncek**, Redwood City, CA (US)

D711,970 S 8/2014 Bennett
D723,037 S 2/2015 Huang
D727,917 S * 4/2015 Yeo D14/440
(Continued)

FOREIGN PATENT DOCUMENTS

CA 2831048 C 10/2015
CN 107682502 A 2/2018
(Continued)

(73) Assignee: **Speculative Product Design, LLC**, San Mateo, CA (US)

OTHER PUBLICATIONS

“iGuy 9.7-Inch iPad Cases”, web, as published as of Aug. 2019, <<https://www.speckproducts.com/apple/ipad-cases/ipad-pro-9-7-cases/iguy-ipad-pro-9-7-cases/776412479.html>>, pp. 1-3.

(**) Term: **15 Years**

(Continued)

(21) Appl. No.: **29/739,557**

Primary Examiner — Cynthia R Underwood
(74) *Attorney, Agent, or Firm* — Lerner, David, Littenberg, Krumholz & Mentlik, LLP

(22) Filed: **Jun. 26, 2020**

(51) **LOC (13) Cl.** **14-02**

(52) **U.S. Cl.**
USPC **D14/440**

(58) **Field of Classification Search**
USPC D14/440, 447, 250; 261/45.23, 320, 261/45.2; 361/679.55; 206/320; 294/25; 224/218

CPC G06F 1/628; G06F 1/626; H04B 1/3555; H04B 1/3888; A45C 11/00; H05K 5/0217
See application file for complete search history.

(57) **CLAIM**

The ornamental design for an electronic case with handle, as shown and described.

DESCRIPTION

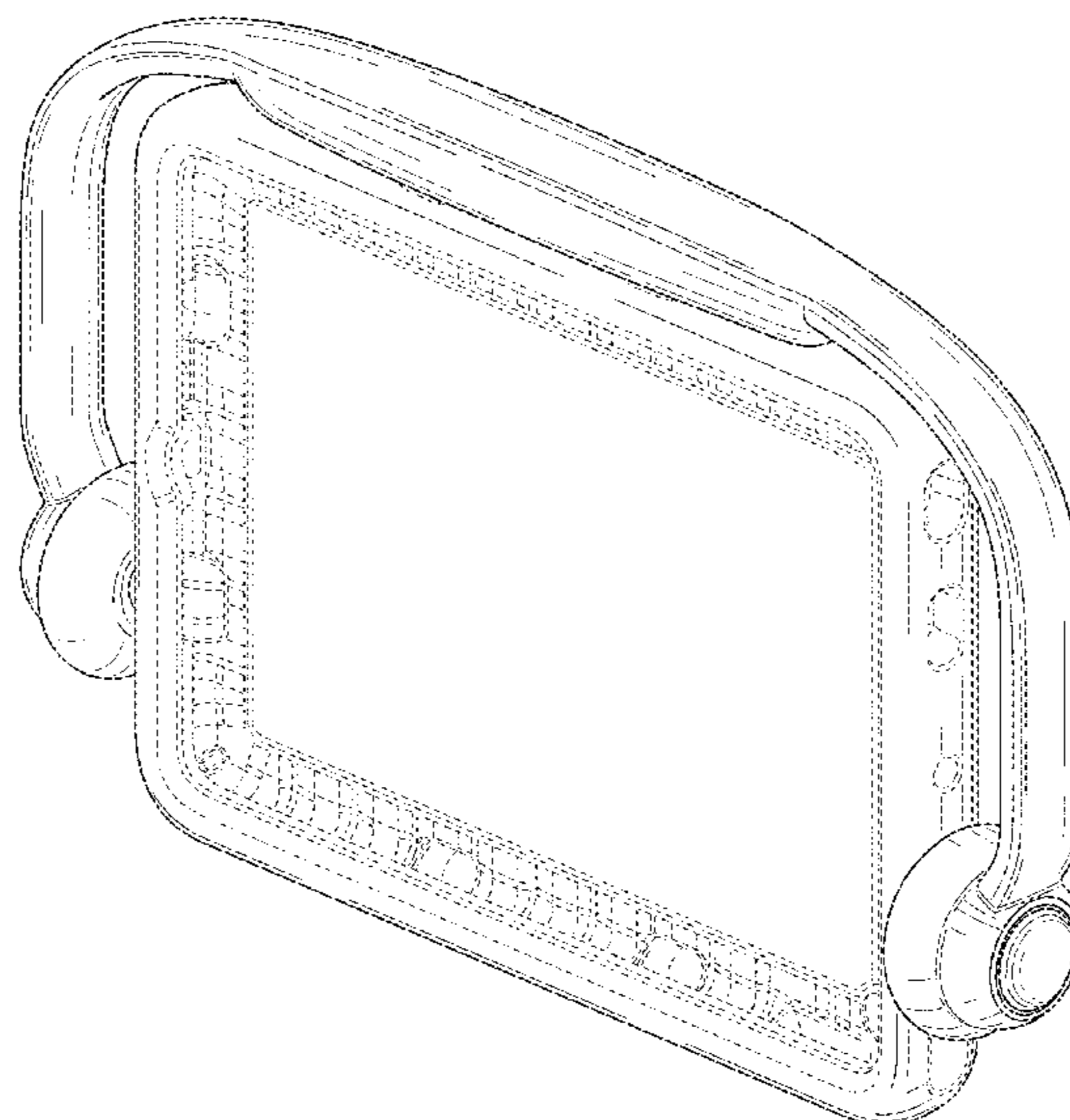
FIG. 1 is a front perspective view of an electronic case with handle according to a first embodiment of our new design; FIG. 2 is a front elevation view thereof; FIG. 3 is a rear elevation view thereof; FIG. 4 is a right side elevation view thereof; FIG. 5 is a left side elevation view thereof; FIG. 6 is a top plan view thereof; FIG. 7 is a bottom plan view thereof; and, FIG. 8 is a rear perspective view thereof. The broken lines shown in the drawings illustrate portions of the electronic case with handle that form no part of the claimed design.

(56) **References Cited**

U.S. PATENT DOCUMENTS

4,479,318 A 10/1984 Russell
5,433,023 A 7/1995 Edwards et al.
D361,601 S 8/1995 Goldman et al.
6,401,376 B2 6/2002 Cumberland et al.
D595,360 S 6/2009 Ogawa et al.
D676,851 S 2/2013 Finnegan et al.
D689,056 S * 9/2013 Li D14/440
D690,704 S * 10/2013 Padilla D14/440
D703,750 S 4/2014 Tsai et al.
D707,233 S 6/2014 Sirichai

1 Claim, 6 Drawing Sheets



(56)

References Cited

U.S. PATENT DOCUMENTS

D731,492 S 6/2015 Snyder et al.
 D733,154 S * 6/2015 Armstrong D14/440
 D743,408 S 11/2015 Chen
 9,241,053 B2 1/2016 Ashley et al.
 D748,634 S 2/2016 Hofer et al.
 D752,052 S * 3/2016 Park D14/440
 D757,017 S 5/2016 Sirichai
 D763,853 S * 8/2016 Pearce D14/440
 9,548,785 B2 1/2017 Rayner
 D778,272 S 2/2017 Kim et al.
 D784,350 S * 4/2017 Li D14/440
 D787,494 S 5/2017 Kim et al.
 D787,496 S 5/2017 Kim et al.
 D788,091 S 5/2017 Kim et al.
 D790,550 S * 6/2017 Chen D14/440
 D792,886 S 7/2017 Schwibner et al.
 D803,221 S * 11/2017 Guo D14/440
 D806,080 S * 12/2017 Chen D14/440
 D807,366 S * 1/2018 Chen D14/440
 D807,369 S * 1/2018 Chen D14/440
 D808,973 S * 1/2018 Chen D14/440
 D809,498 S 2/2018 Ahn
 D810,732 S 2/2018 Fenton et al.
 D811,412 S * 2/2018 McCurdy D14/440
 D812,620 S * 3/2018 Cheng D14/440
 D839,866 S 2/2019 Entwistle
 D852,799 S 7/2019 Fenton et al.
 D854,022 S * 7/2019 Chen D14/440
 D860,212 S * 9/2019 Ahn D14/440
 D862,478 S * 10/2019 Ahn D14/440
 D862,479 S * 10/2019 Ahn D14/440
 D862,480 S * 10/2019 Chan D14/440
 D863,313 S * 10/2019 Li D14/440
 D875,100 S 2/2020 Chang
 10,601,971 B2 3/2020 Hatch et al.
 D881,197 S * 4/2020 Chen D14/440
 D884,709 S * 5/2020 Cheng D14/440
 10,728,372 B2 7/2020 Hyneczek et al.
 D893,497 S * 8/2020 Li D14/440
 D897,349 S * 9/2020 Li D14/440
 D898,035 S * 10/2020 Xu D14/440
 D898,747 S * 10/2020 Deng D14/440
 D900,113 S * 10/2020 Pan D14/440
 10,793,084 B2 10/2020 Jiang et al.

D912,677 S * 3/2021 Li D14/440
 D913,294 S * 3/2021 Li D14/440
 D916,708 S * 4/2021 Ke D14/440
 D917,493 S * 4/2021 Zhang D14/440
 D917,496 S * 4/2021 Chen D14/447
 D928,166 S * 8/2021 Hu D14/440
 D931,288 S * 9/2021 Li D14/440
 2009/0173863 A1 7/2009 Crown
 2010/0264181 A1 10/2010 Gray
 2012/0075799 A1* 3/2012 Pollex G06F 1/1628
 361/679.56
 2012/0152990 A1 6/2012 Kulas
 2012/0314354 A1 12/2012 Rayner
 2013/0241381 A1 9/2013 Hyneczek et al.
 2013/0271897 A1 10/2013 Limber et al.
 2015/0195392 A1 7/2015 Nissenbaum
 2016/0028428 A1 1/2016 Sturniolo
 2017/0045920 A1* 2/2017 Armstrong G06F 1/1669
 2017/0097698 A1* 4/2017 Maeshima G06F 3/03545

FOREIGN PATENT DOCUMENTS

DE 29618476 12/1996
 DE 102008053975 A1 5/2010

OTHER PUBLICATIONS

“iGuy 9.7-Inch iPad Pro Cases”, web, as published as of Jun. 2017, <<https://web.archive.org/web/20170629165752/http://www.speckproducts.com/apple/ipad-cases/ipad-pro-9-7-cases/iguy-ipad-pro-9-7-cases/IPP9-IG.html>>, pp. 1-3.
 “iPad Pro Cases—iPad Pro Covers—Speck”, web, as published as of Jun. 2017, <<https://web.archive.org/web/2017060612641/http://www.speckproducts.com/apple/ipad-cases/ipad-pro-cases.html>>, pp. 1-15.
 European Search Report for Application No. EP20150216, dated Mar. 30, 2020, 3 pages.
 Examples of ArmorBox Kido Cases as sold by i-Blason at least as early as Feb. 24, 2018, retrieved from the internet on Sep. 4, 2020, from the <URL: <<https://web.archive.org/web/20161212200631if/http://i-blason.com/tablet-cases.html>>>>; 4 pages.
 Hyneczek, B.L. et al, “Holder for Mobile Electronic Device,” U.S. Appl. No. 29/675,720, filed Jan. 4, 2019.

* cited by examiner

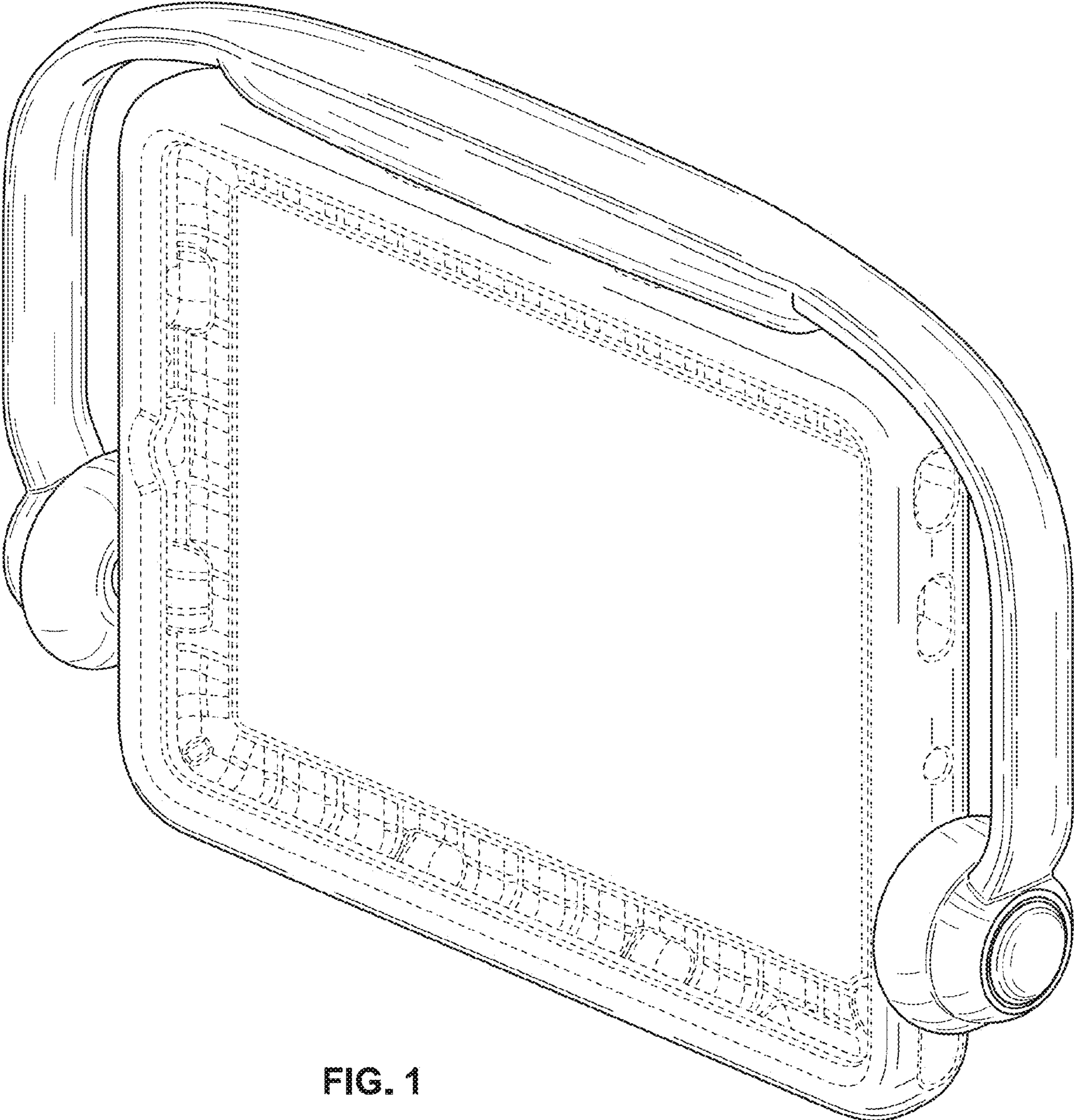


FIG. 1

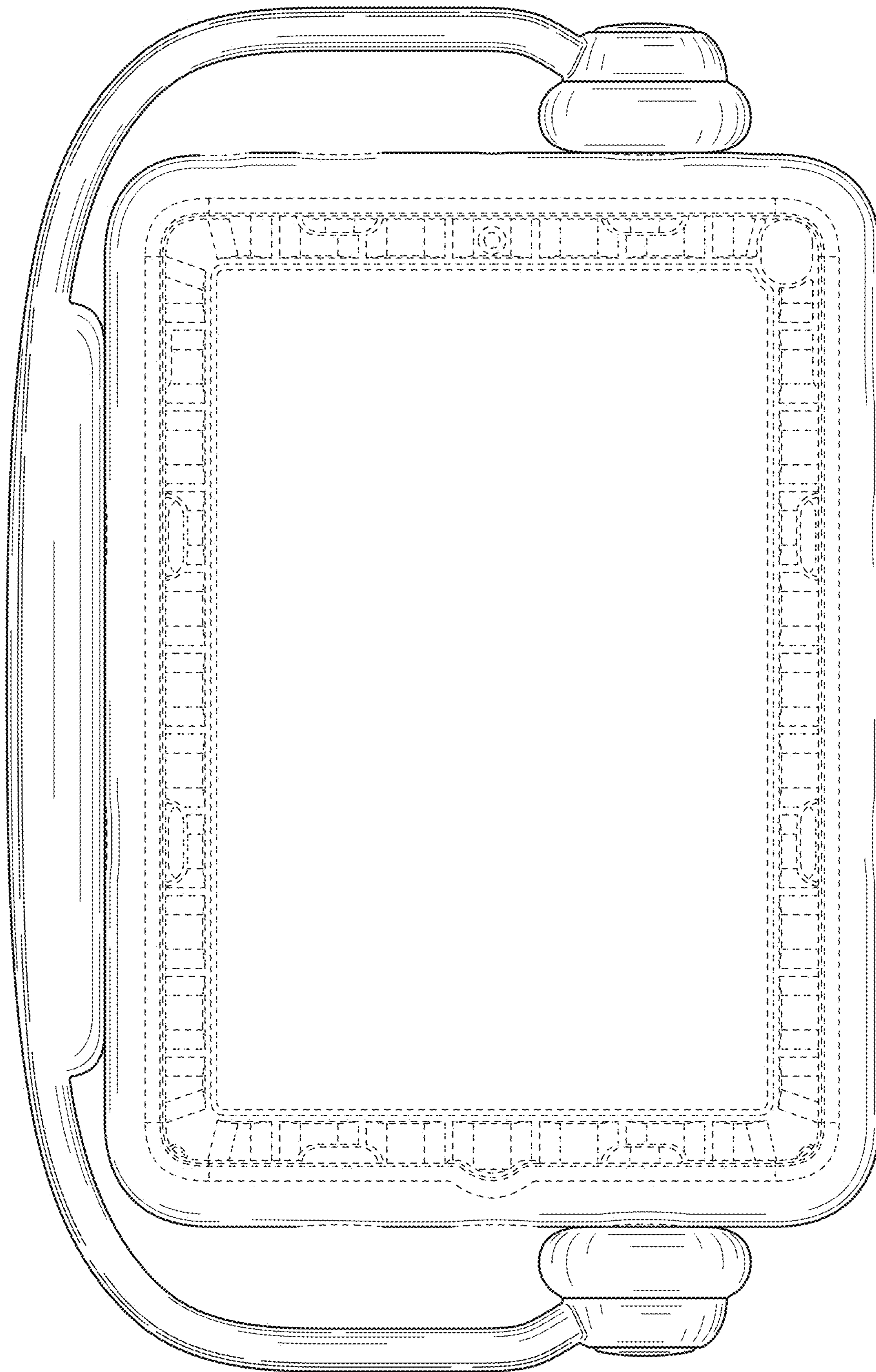


FIG. 2

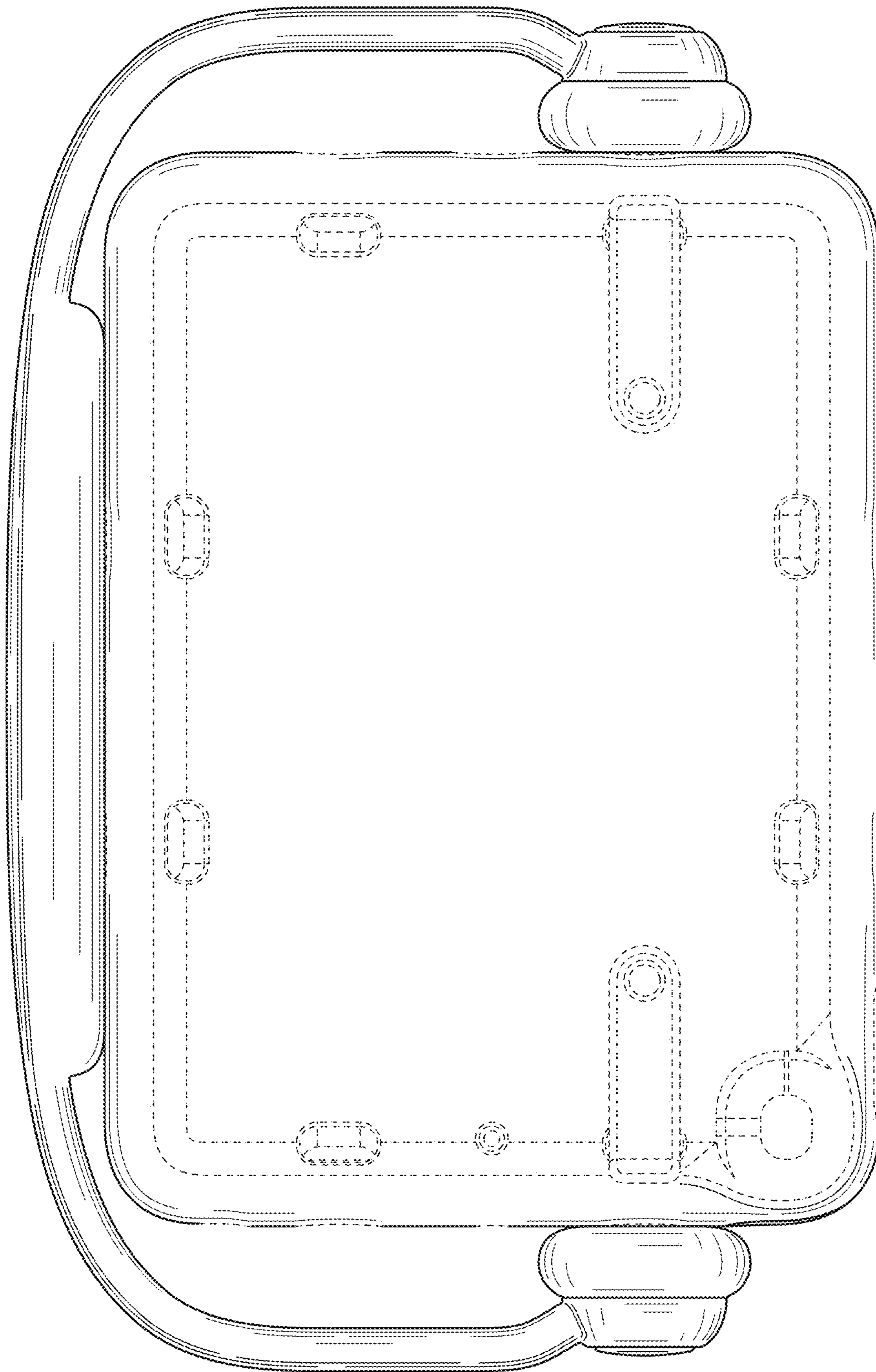


FIG. 3

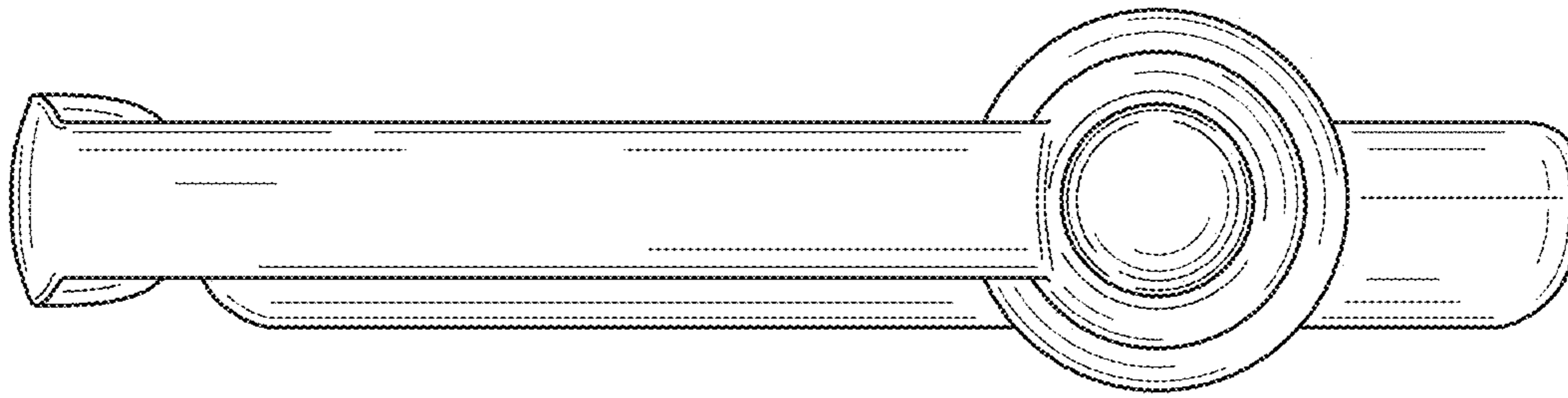


FIG. 5

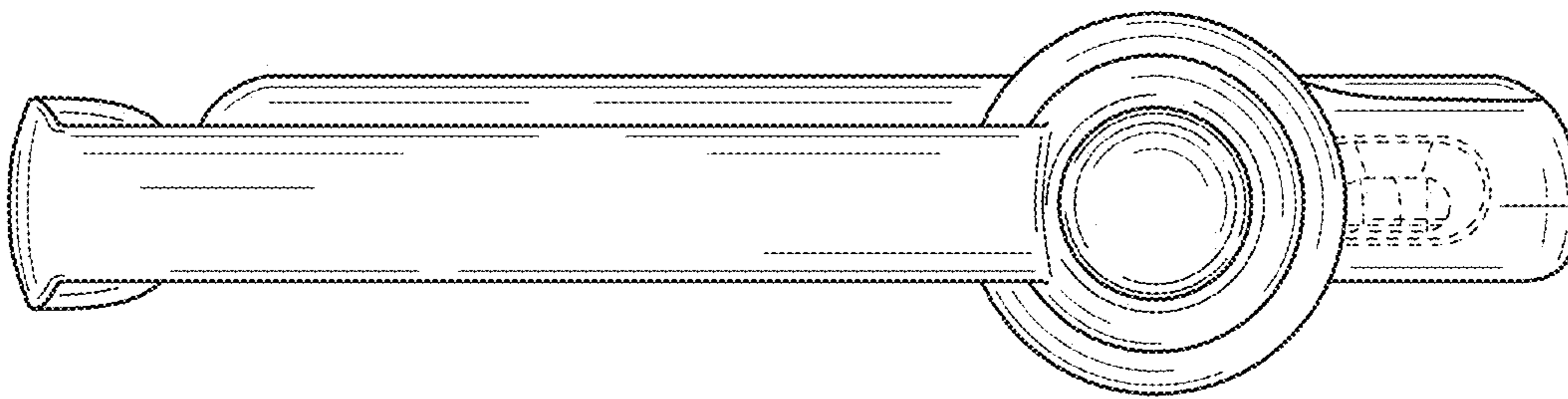


FIG. 4

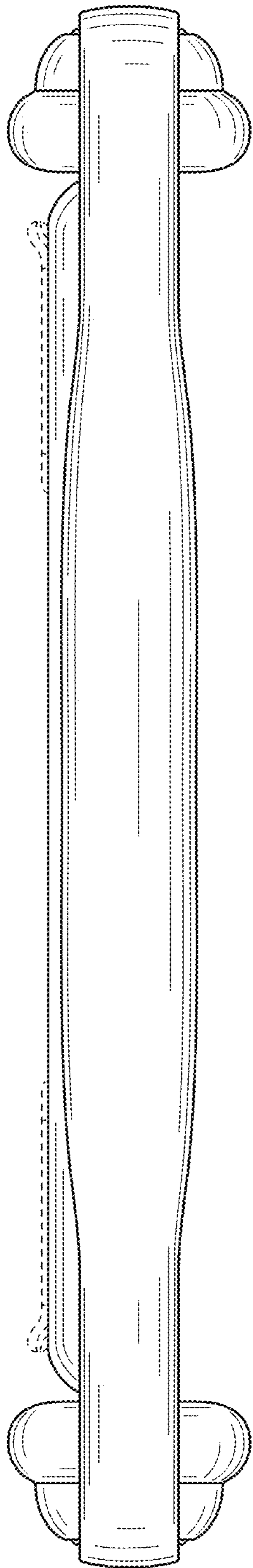


FIG. 6

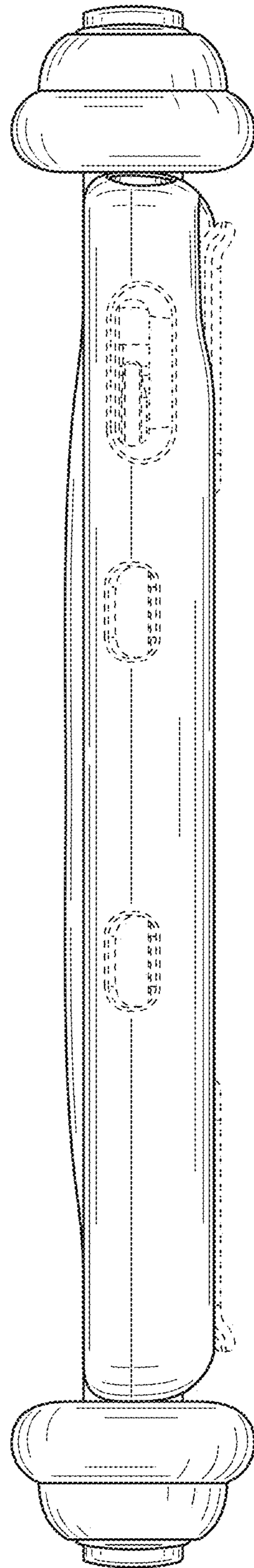


FIG. 7

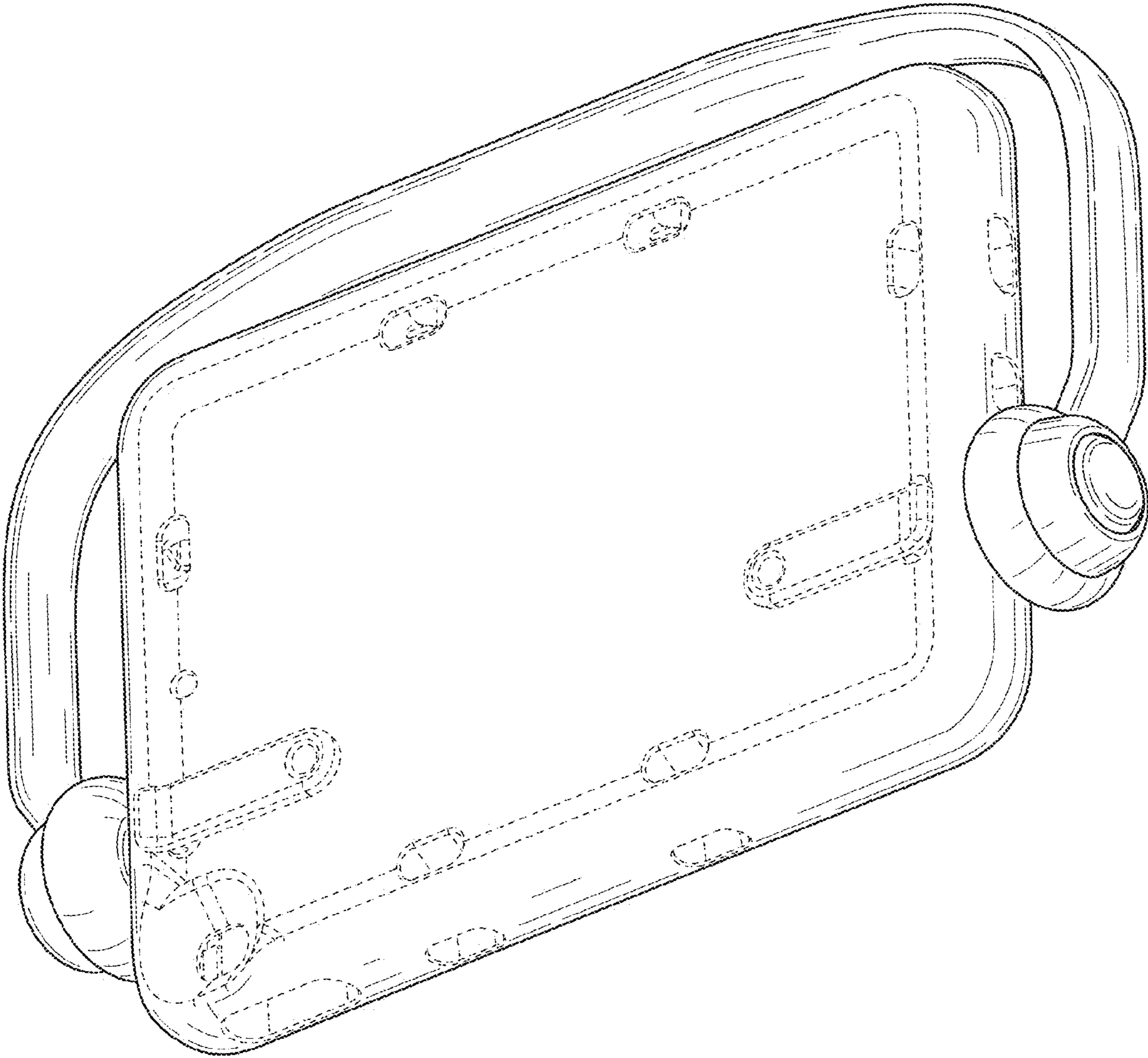


FIG. 8