



US00D943587S

(12) **United States Design Patent**
Robertson et al.

(10) **Patent No.: US D943,587 S**
(45) **Date of Patent: ** Feb. 15, 2022**

(54) **SANITIZABLE DEVICE CASE**

DESCRIPTION

- (71) Applicant: **Hawaii Pacific Health**, Honolulu, HI (US)
- (72) Inventors: **Steven Eugene Robertson**, Honolulu, HI (US); **JohnRae Geronimo DeGuzman**, Honolulu, HI (US)
- (73) Assignee: **Hawaii Pacific Health**, Honolulu, HI (US)
- (**) Term: **15 Years**
- (21) Appl. No.: **29/652,146**
- (22) Filed: **May 21, 2020**
- (51) **LOC (13) Cl.** **14-02**
- (52) **U.S. Cl.**
USPC **D14/440; D32/35**
- (58) **Field of Classification Search**
USPC D14/149, 204, 217, 221, 224, 240, 358, D14/496, 199; D15/138, 199; D32/1, 35
(Continued)

FIG. 1 is a front perspective view of the sanitizable device case of the subject invention in assembled form shown from above;

FIG. 2 is a rear perspective view of the sanitizable device case of the subject invention in assembled form shown from below;

FIG. 3 is a top view of the assembled sanitizable device case;

FIG. 4 is a bottom view of the assembled sanitizable device case;

FIG. 5 is a left side view of the assembled sanitizable device case, the right side view being a mirror image thereof;

FIG. 6 is a front view of the assembled sanitizable device case;

FIG. 7 is a rear view of the assembled sanitizable device case;

FIG. 8 is a front perspective view of the sanitizable device case of the subject invention shown from above illustrating its use to enclose an electronic device;

FIG. 9 is a front perspective view of the sanitizable device case of the subject invention shown from above with parts separated for clarity of disclosure;

FIG. 10 is a rear perspective view of the sanitizable device case of the subject invention shown from below with parts separated for clarity of disclosure;

FIG. 11 is a top view of the sanitizable device case with parts shown separated for clarity of disclosure;

FIG. 12 is a bottom view of the sanitizable device case with parts shown separated for clarity of disclosure;

FIG. 13 is a left side view of the sanitizable device case with parts shown separated for clarity of disclosure, the right side view being a mirror image thereof;

FIG. 14 is a front view of the sanitizable device case with parts shown separated for clarity of disclosure; and,

FIG. 15 is a rear view of the sanitizable device case with parts shown separated for clarity of disclosure.

The broken lines shown in the figures are directed to environment and form no part of the claimed design.

(56) **References Cited**

U.S. PATENT DOCUMENTS

- 5,508,757 A * 4/1996 Chen H04N 5/65
348/818
- 8,481,970 B2 * 7/2013 Cooper A61L 2/10
250/455.11

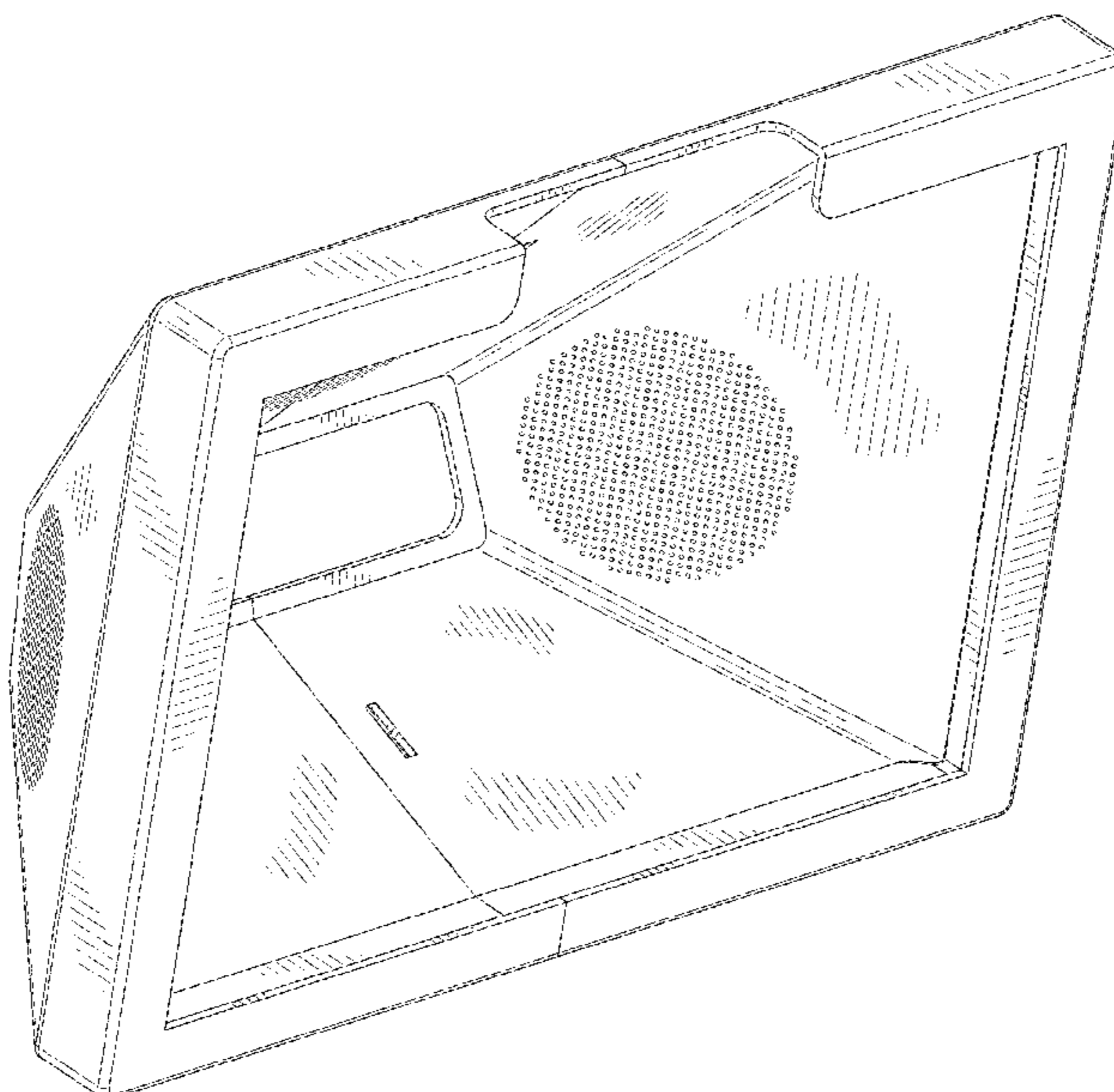
(Continued)

Primary Examiner — Patricia A Palasik
(74) *Attorney, Agent, or Firm* — Seth M. Reiss

(57) **CLAIM**

We claim the ornamental design for a sanitizable device case, as shown and described.

1 Claim, 15 Drawing Sheets



(58) **Field of Classification Search**

CPC A61L 2/10; A61L 2/24; A61L 2202/14;
A61L 2202/16; A61L 2202/122; G01N
21/00

See application file for complete search history.

(56) **References Cited**

U.S. PATENT DOCUMENTS

8,964,405 B2 * 2/2015 La Porte A61L 2/10
361/807
D771,139 S * 11/2016 Poulheim D14/496
D789,362 S * 6/2017 Eljas D14/366
D790,551 S * 6/2017 Hoejlund-Hansen D14/440
D806,066 S * 12/2017 McWilliam D14/314
D817,313 S * 5/2018 Horito D14/240
D828,234 S * 9/2018 Hoehn D12/114
D841,644 S * 2/2019 McWilliam D14/314
D862,476 S * 10/2019 Han D14/440

10,610,609 B2 * 4/2020 Swaney A61L 2/10
D902,879 S * 11/2020 Balch D14/149
D905,027 S * 12/2020 Chang D14/240
D907,316 S * 1/2021 Stewart D32/35
D907,637 S * 1/2021 Han D14/440
D912,670 S * 3/2021 Etgar D14/388
D920,294 S * 5/2021 Robertson D14/224
D922,360 S * 6/2021 Robertson D14/224
D924,878 S * 7/2021 Han D14/440
D931,902 S * 9/2021 Moore D14/496
2010/0044582 A1 * 2/2010 Cooper A61L 2/24
250/455.11
2013/0004367 A1 * 1/2013 Roberts A61L 2/10
422/24
2013/0341233 A1 * 12/2013 Dow A45C 11/00
206/521
2018/0117192 A1 * 5/2018 Baranov A61L 2/10
2020/0368380 A1 * 11/2020 Levy B65D 81/18
2020/0405899 A1 * 12/2020 Yang A61L 2/10
2021/0283287 A1 * 9/2021 Goodman A45C 11/00

* cited by examiner

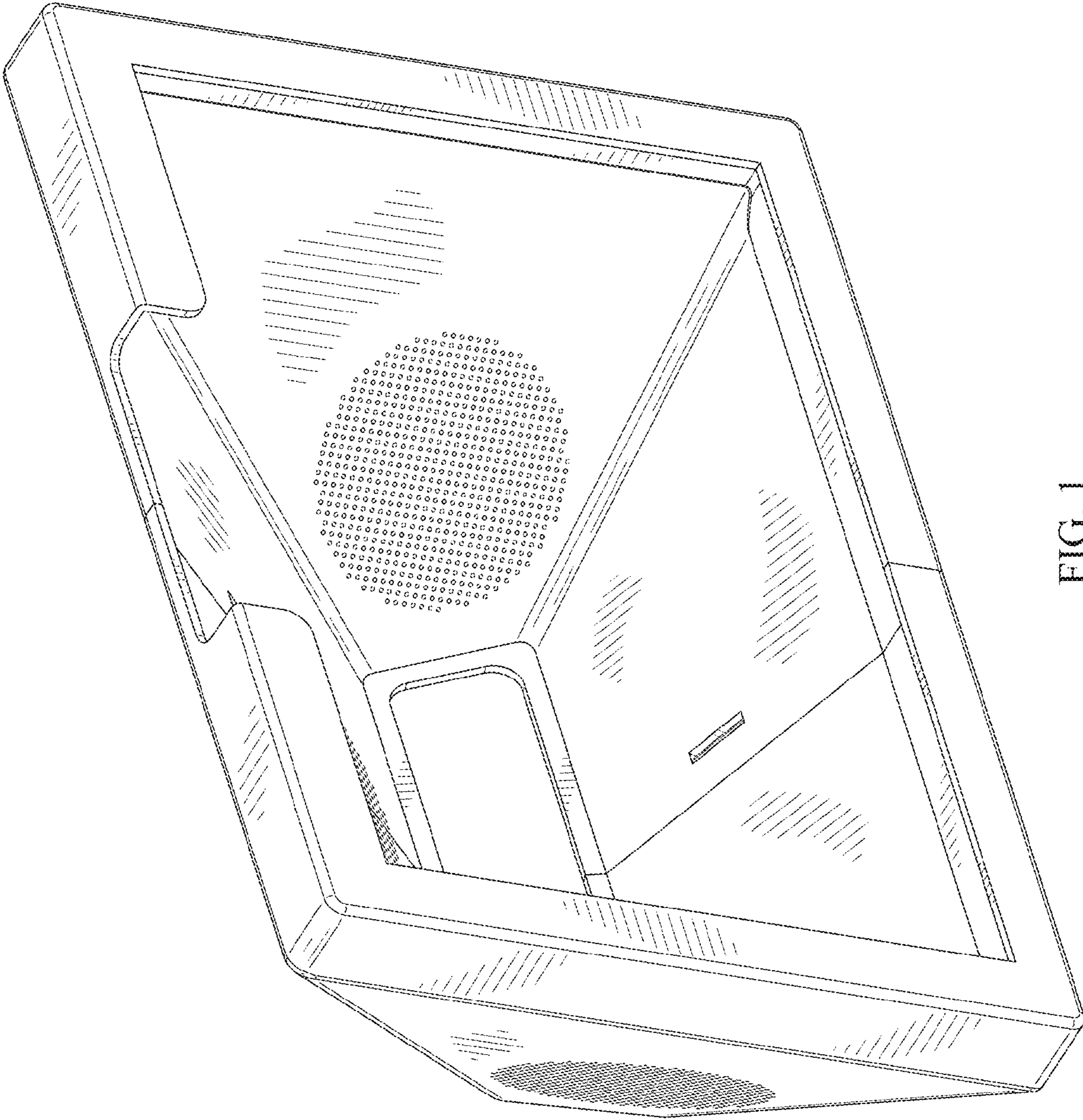


FIG. 1

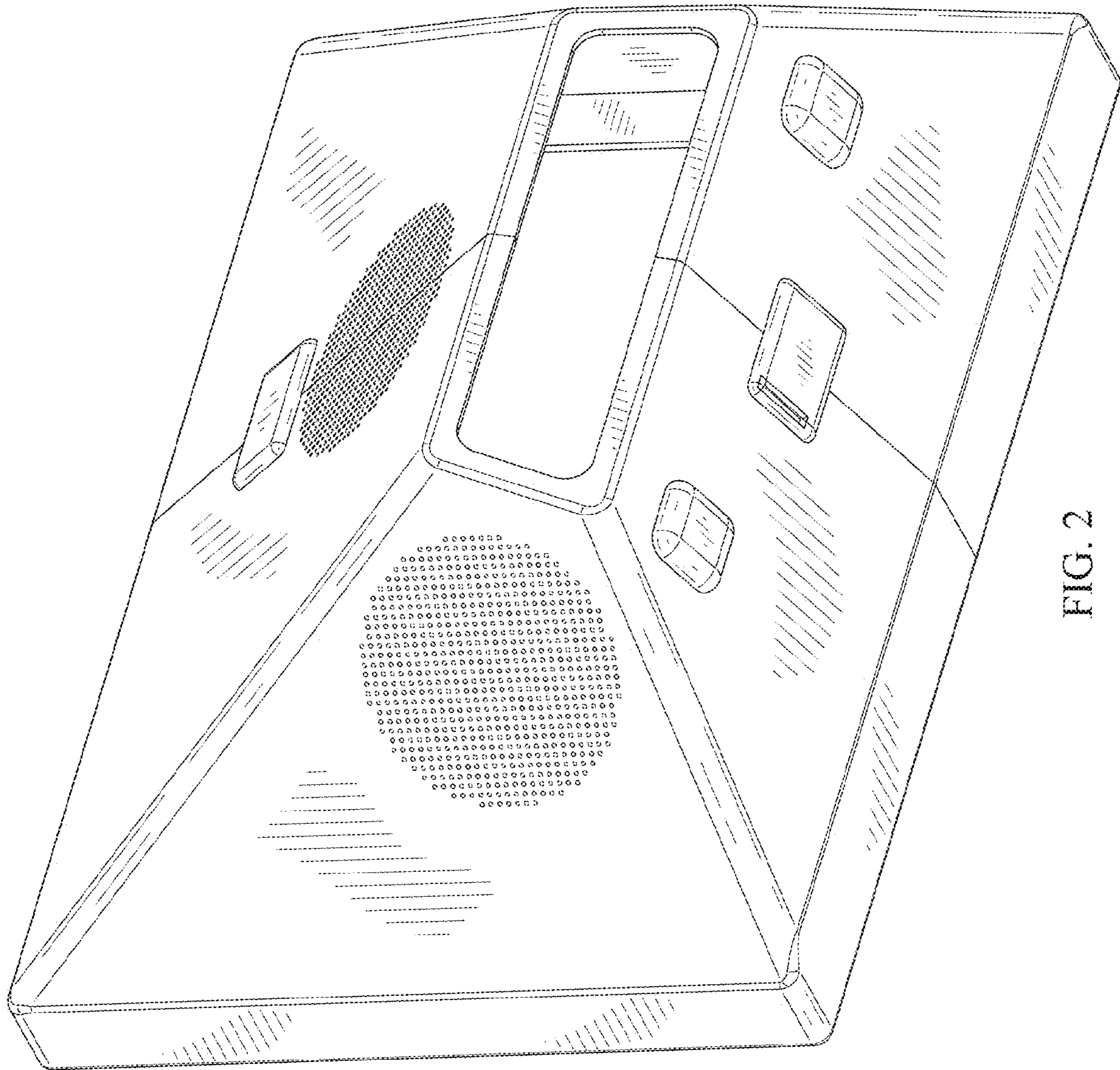


FIG. 2

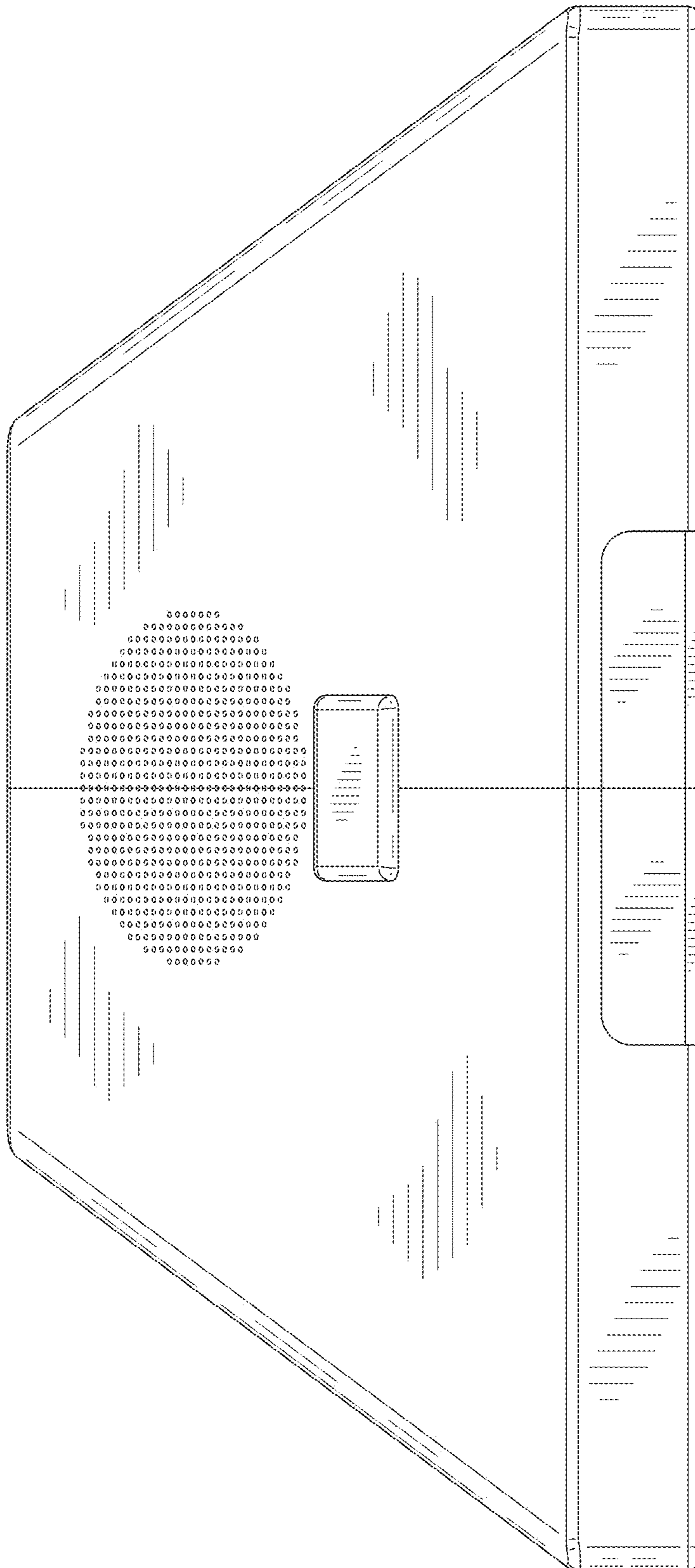


FIG. 3

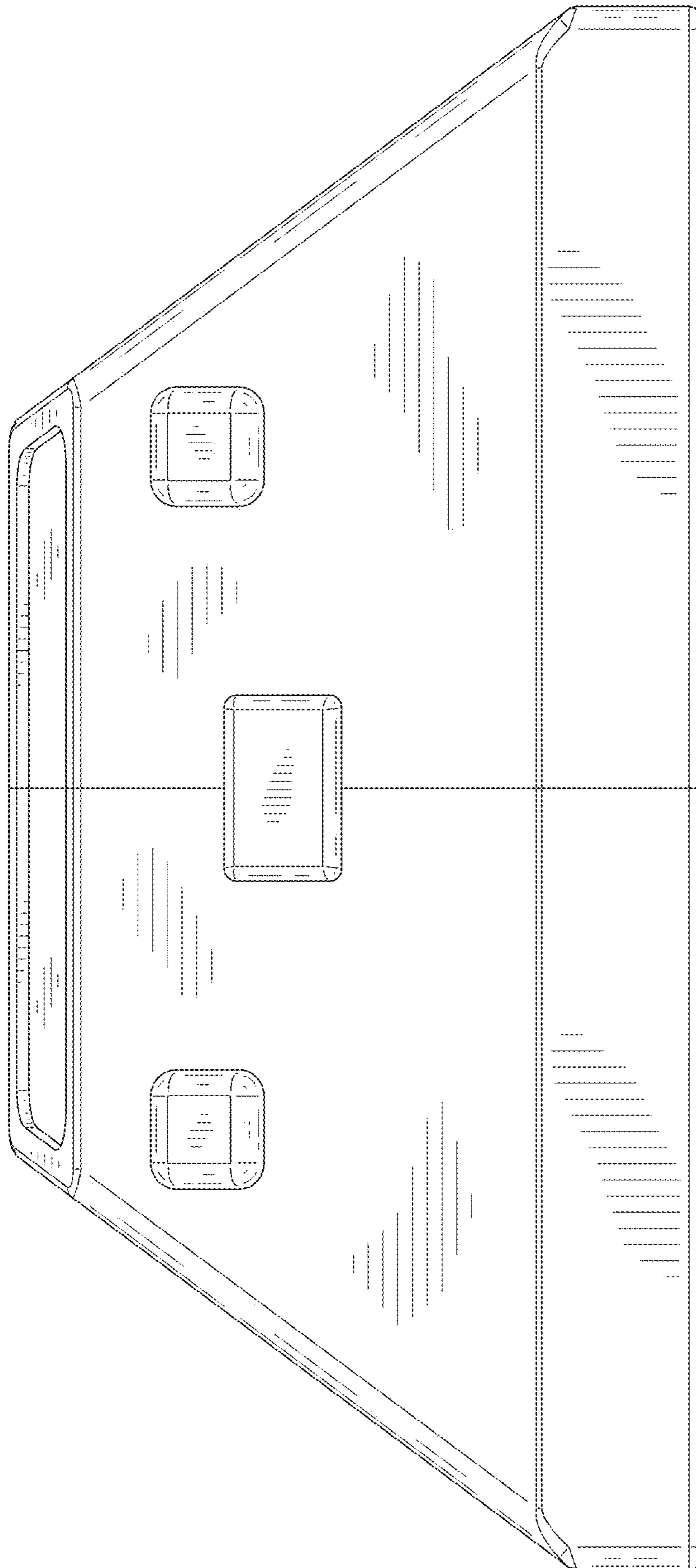


FIG. 4

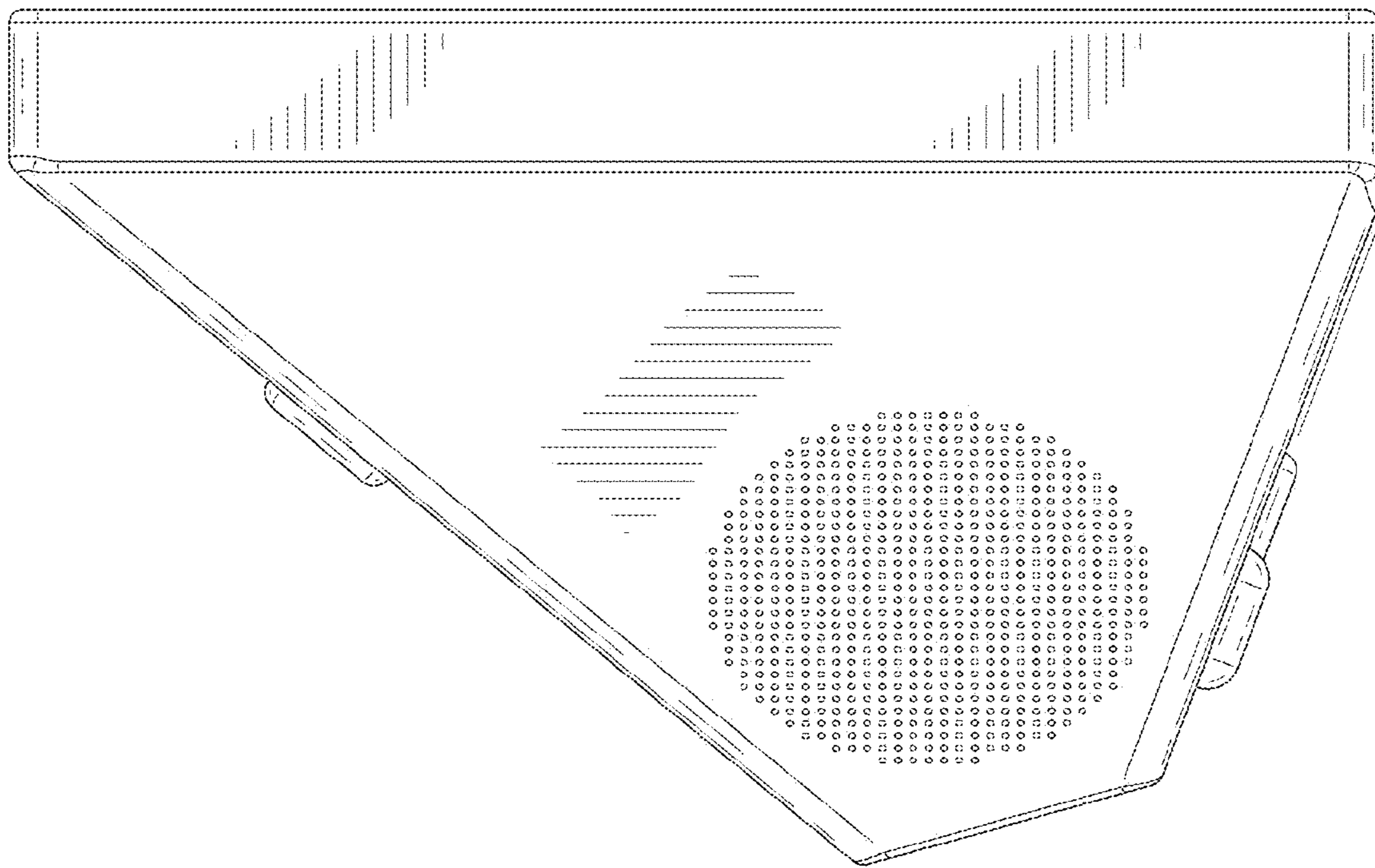


FIG. 5

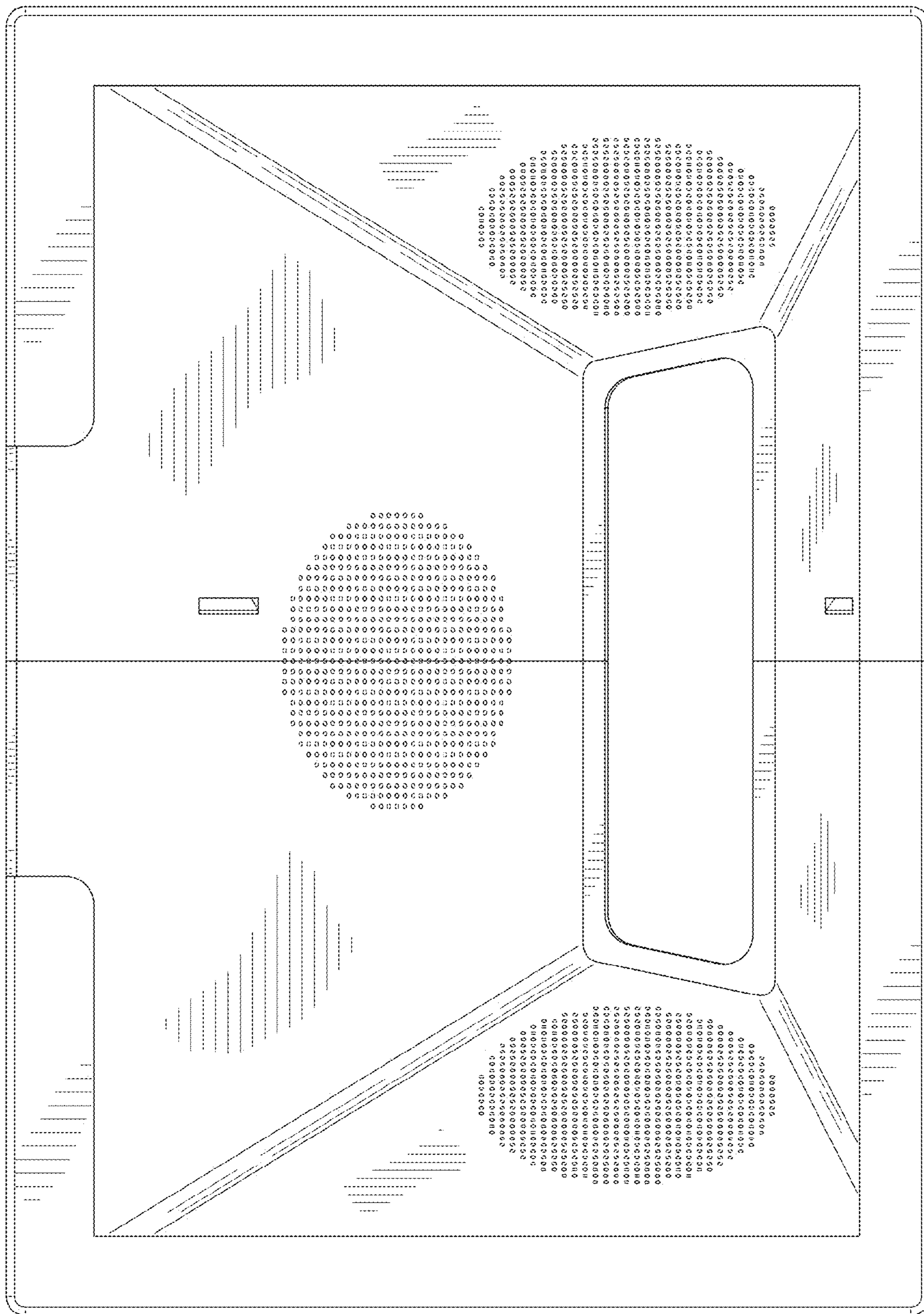


FIG. 6

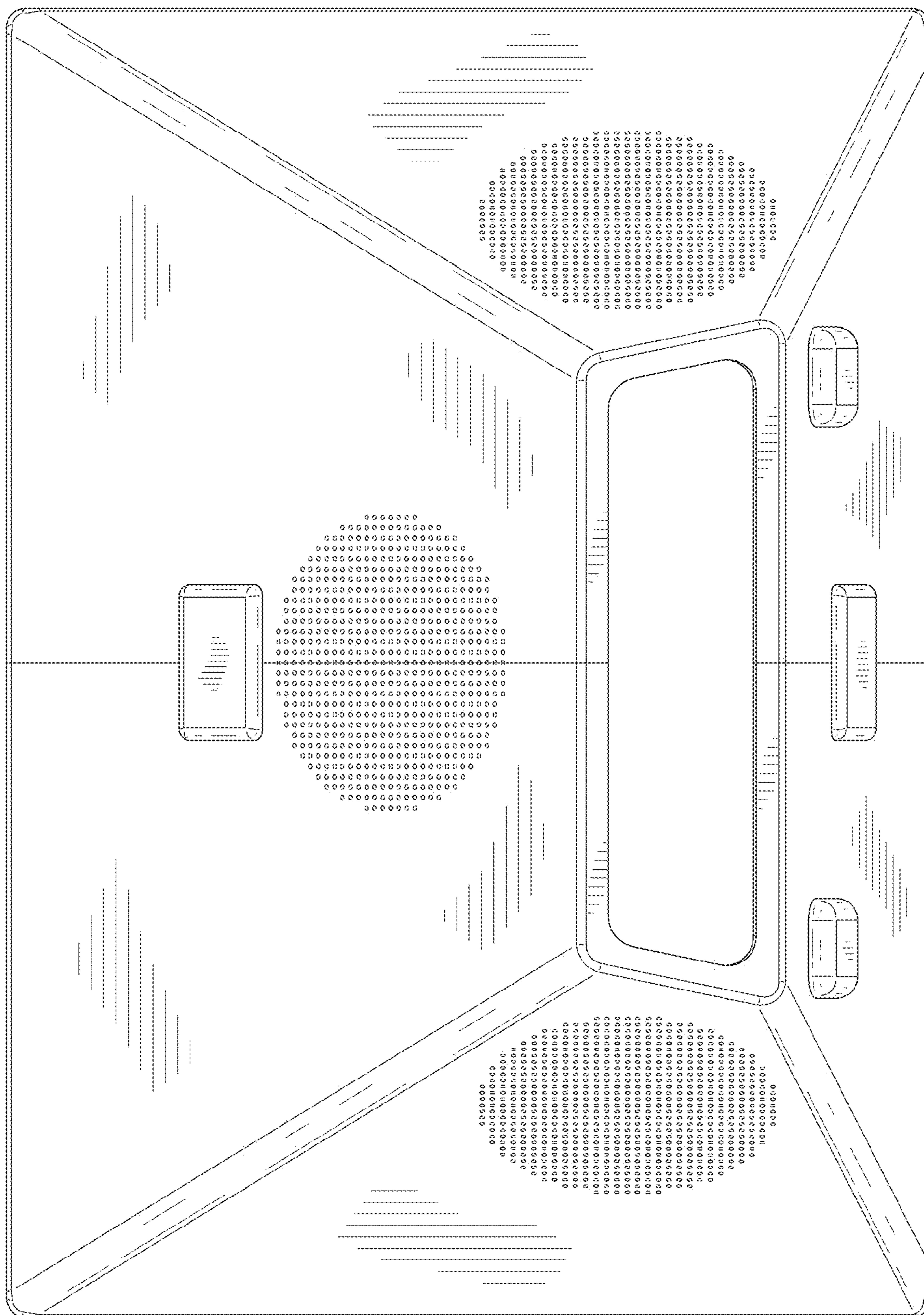


FIG. 7

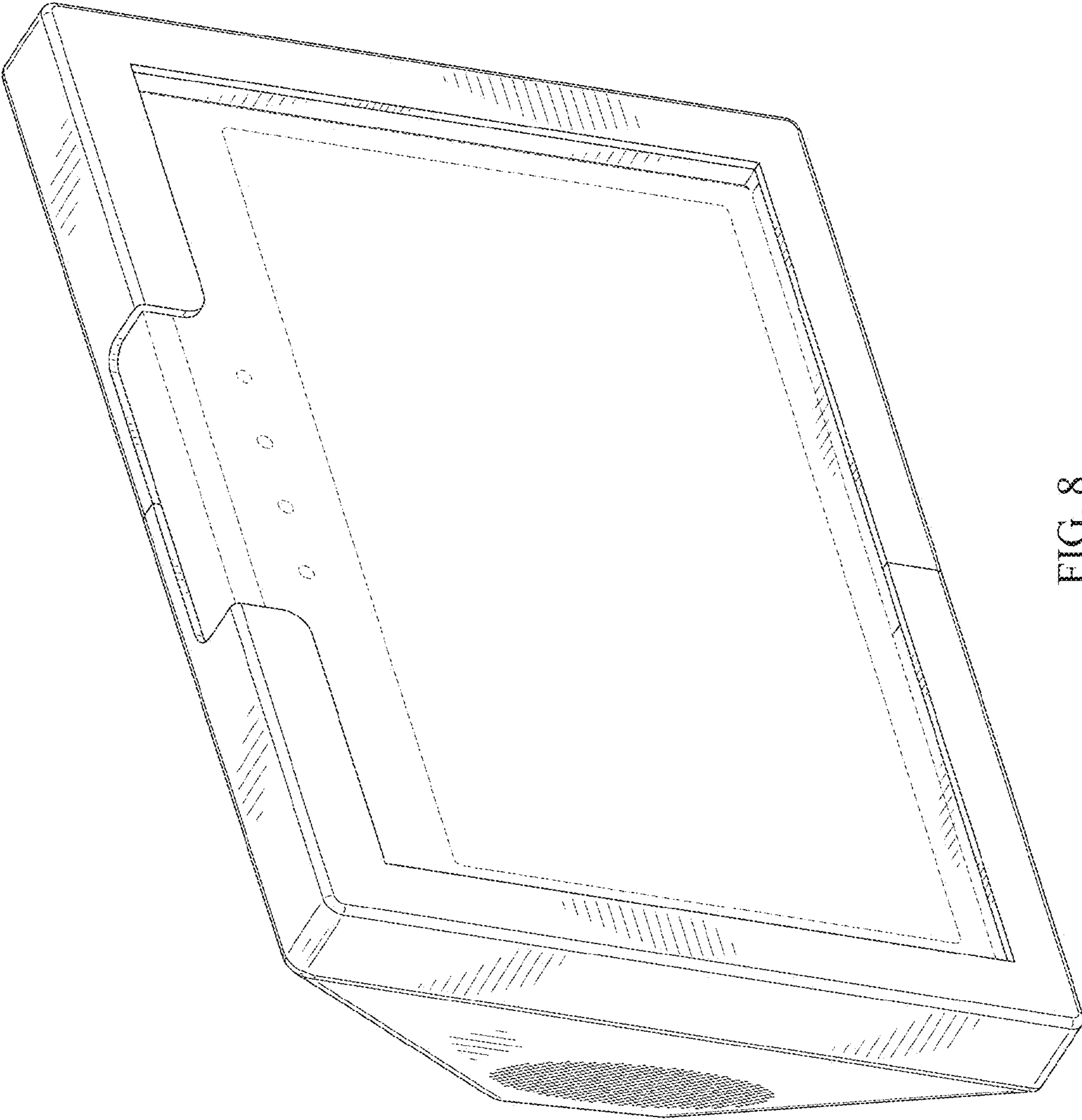


FIG. 8

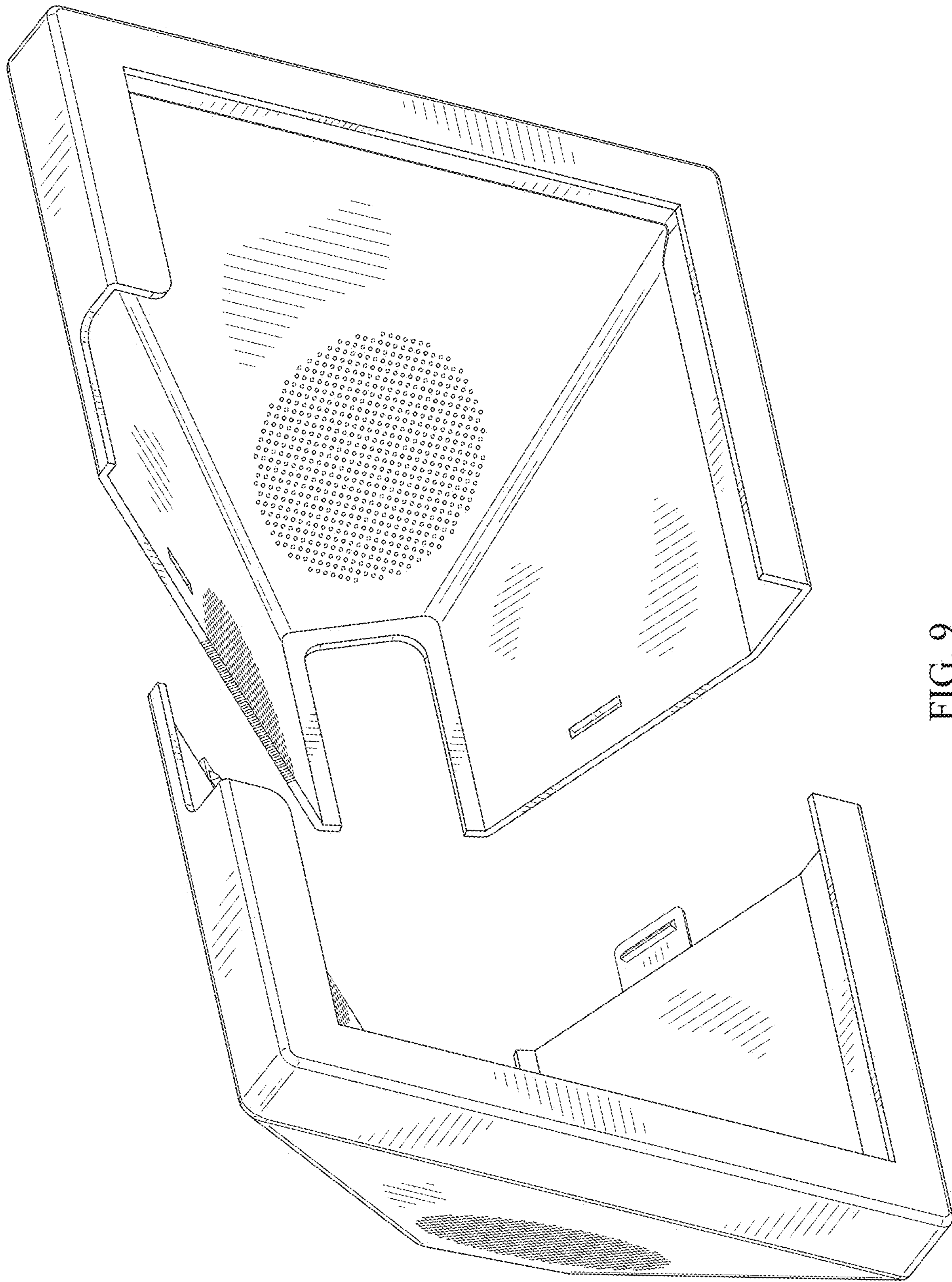


FIG. 9

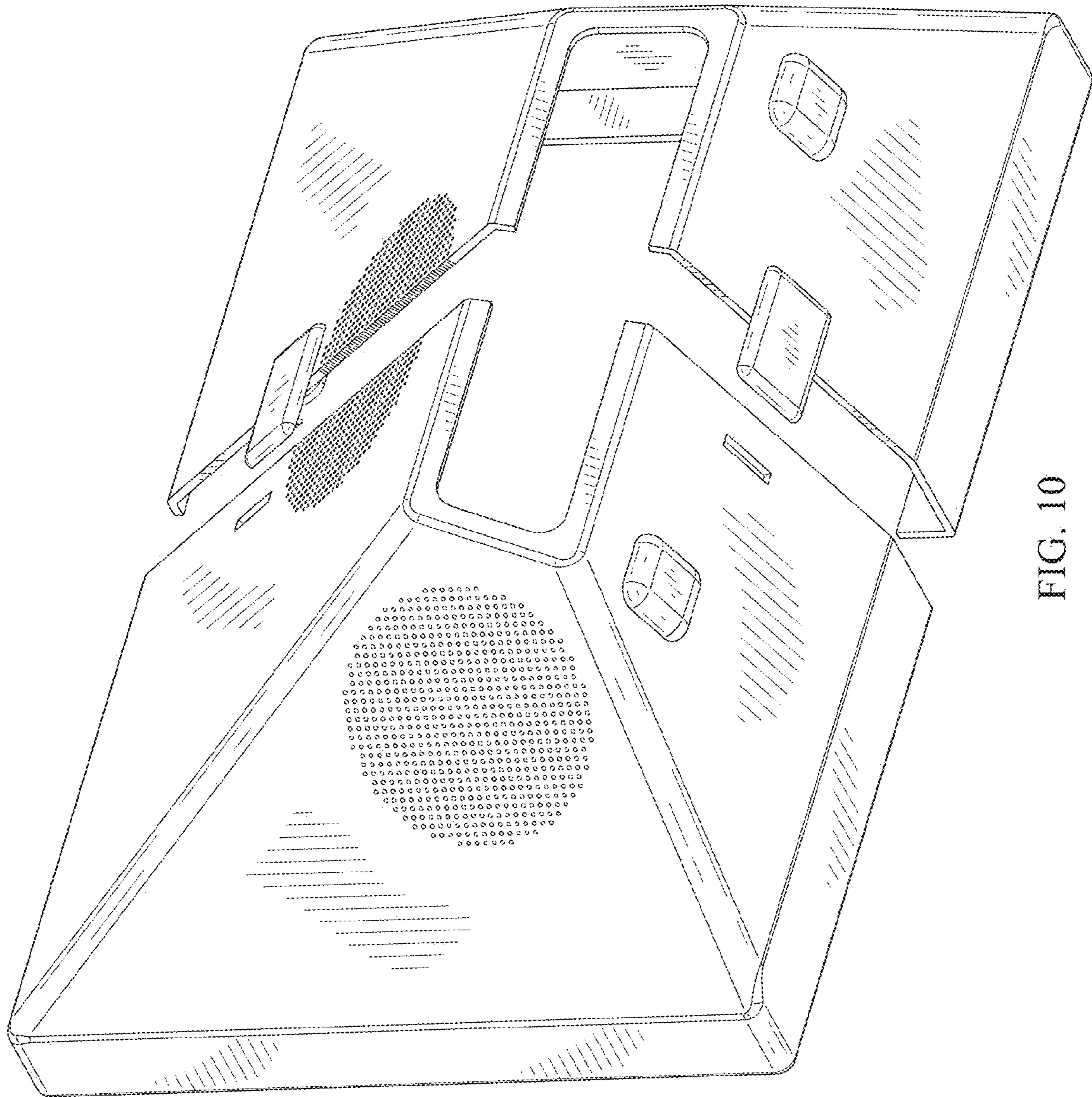


FIG. 10

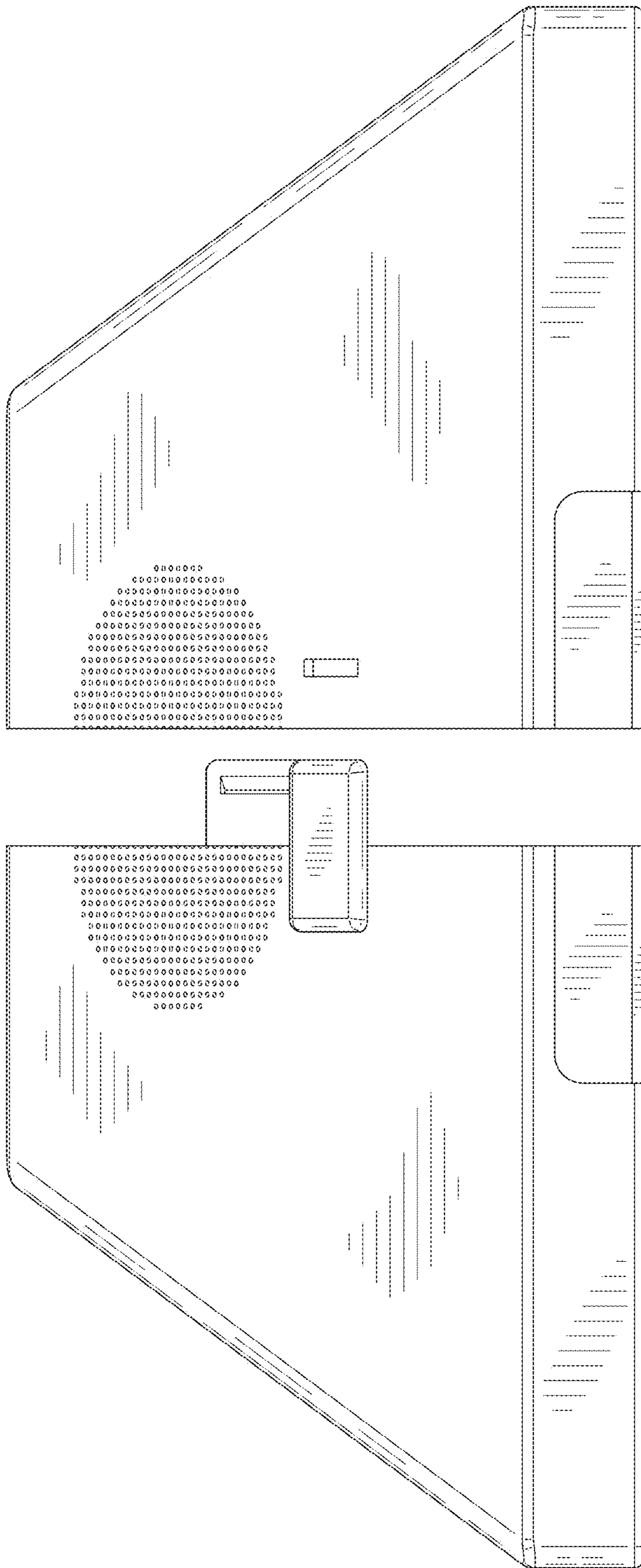


FIG. 11

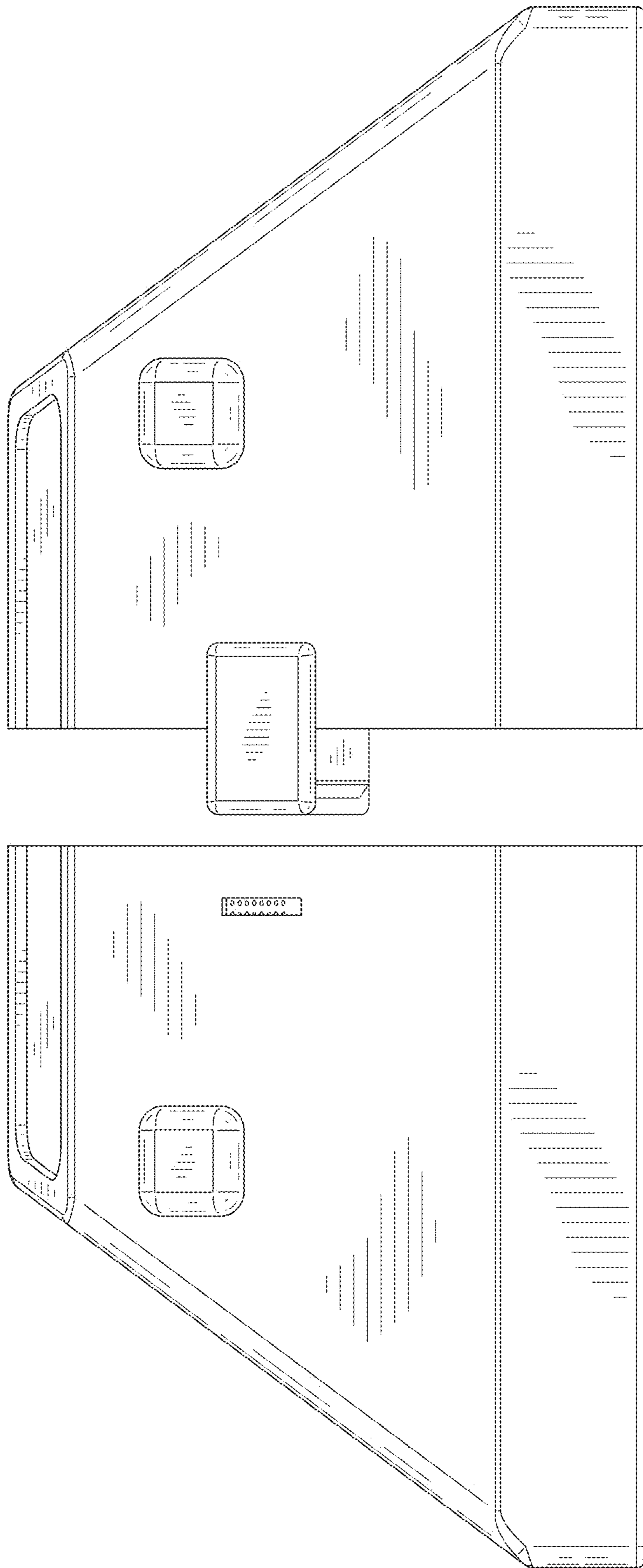


FIG. 12

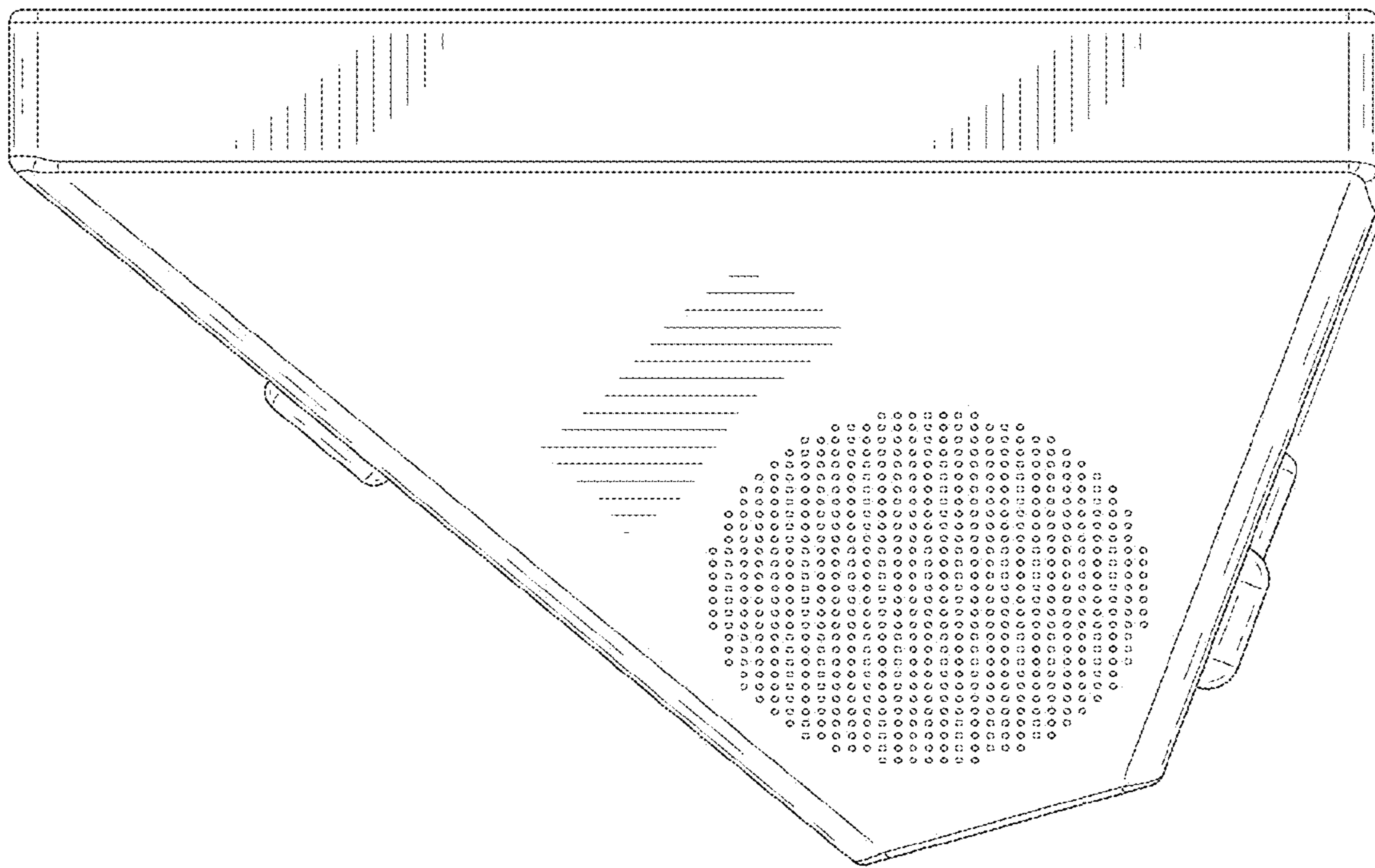


FIG. 13

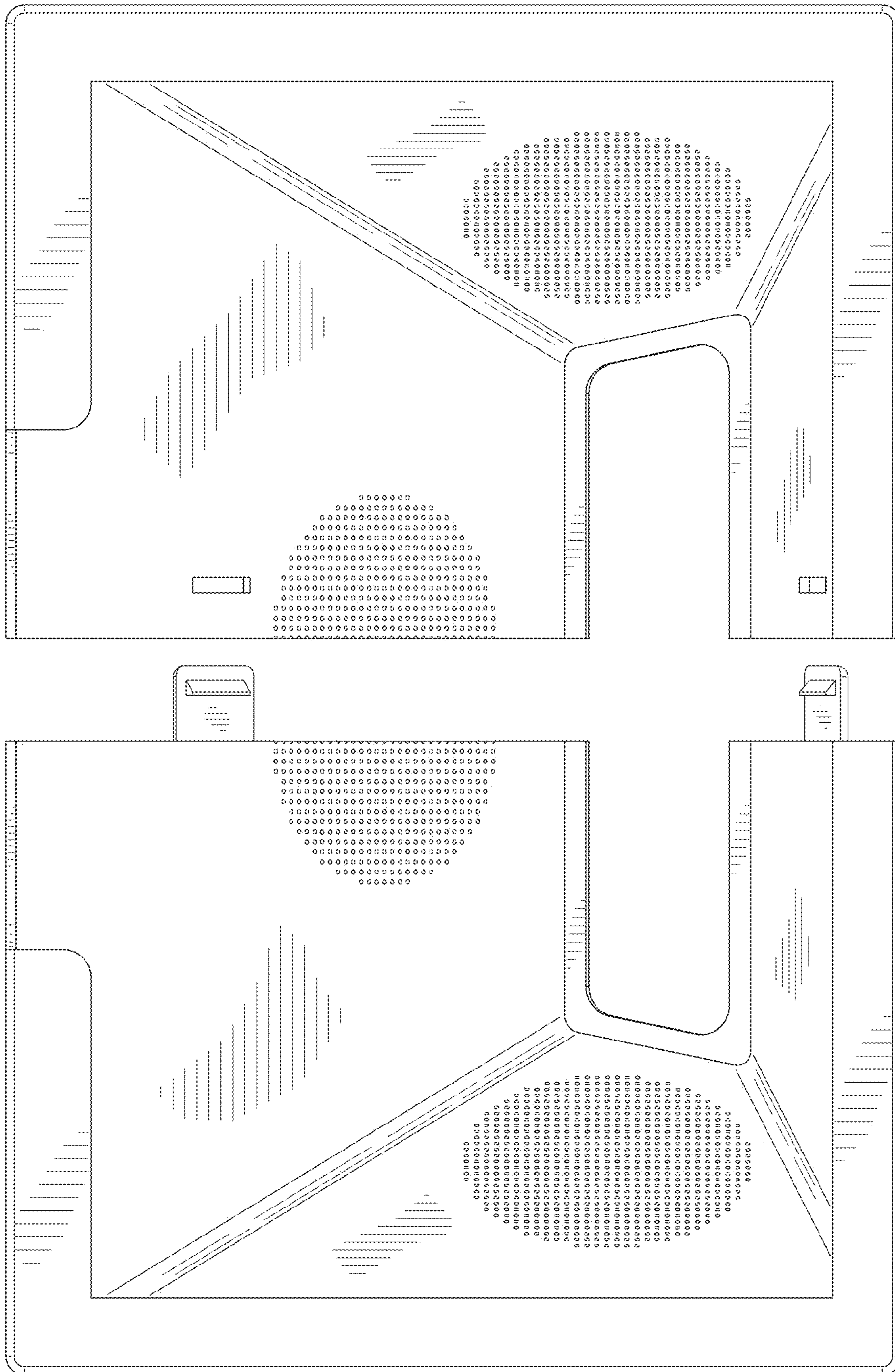


FIG. 14

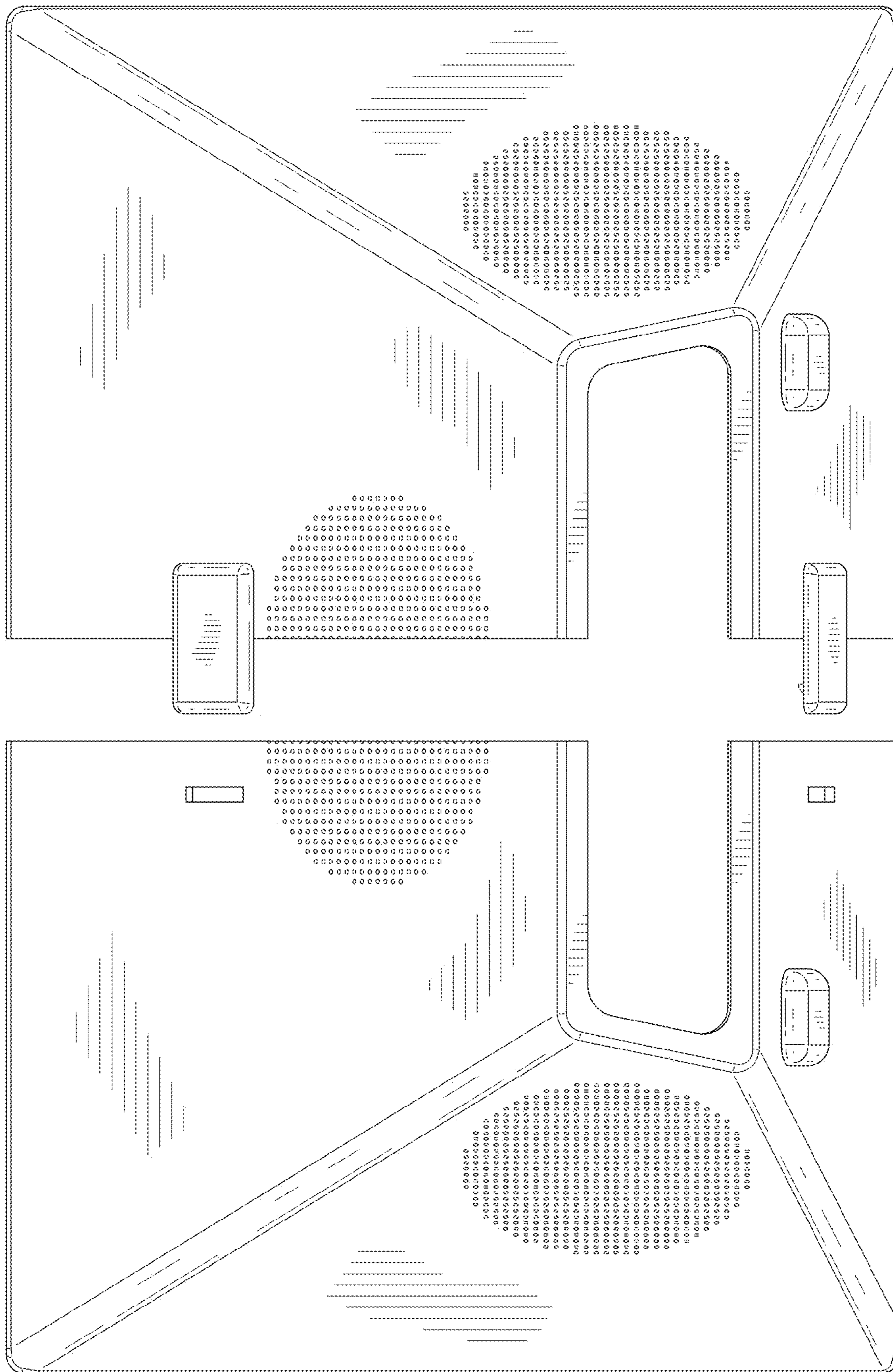


FIG. 15