



US00D943586S

(12) **United States Design Patent**
Jun

(10) **Patent No.:** **US D943,586 S**
(45) **Date of Patent:** **** Feb. 15, 2022**

(54) **SSD (SOLID STATE DRIVE)**
(71) Applicant: **SAMSUNG ELECTRONICS CO., LTD.**, Suwon-si (KR)
(72) Inventor: **Gye Jin Jun**, Suwon-si (KR)
(73) Assignee: **SAMSUNG ELECTRONICS CO., LTD.**, Suwon-si (KR)
(**) Term: **15 Years**

19/07724; G06K 19/07726; G06K 19/07728; G06F 21/86; G06F 21/87; G06F 21/88; G06F 21/77-80; G06F 21/85-88; G06F 21/00; G06Q 20/3229; G06Q 20/34; G06Q 20/341; G06Q 20/346; G06Q 20/349; G06Q 20/3563; G06Q 20/3567; G06Q 20/357; G06Q 20/3576; H05K 5/026; H05K 5/0256; H05K 5/0265; H05K 5/0269; H05K 5/0273; H05K

(Continued)

(21) Appl. No.: **29/712,856**
(22) Filed: **Nov. 12, 2019**

(30) **Foreign Application Priority Data**

May 22, 2019 (KR) 30-2019-0024054

(51) **LOC (13) Cl.** **14-02**
(52) **U.S. Cl.**
USPC **D14/435**

(58) **Field of Classification Search**

USPC D14/110, 114, 125, 240, 242, 299-302, D14/314, 348-370, 435-438, 496, D14/478-480; D13/103, 119, 162, 184, D13/199; D18/1, 7, 9, 11; D3/273, 269, D3/201, 203.2, 207, 208, 212, 274, 247, D3/249; 361/679.33-679.45, 737, 752, 361/736, 728, 796, 797, 729, 730, 361/725-727; 340/710; 345/163, 173; 428/137-138, 140, 304.4, 457; 360/69, 360/97.02; D9/432; 235/441, 443, 487, 235/492, 493, 495; 257/678, 679, 693, 257/E23.064; 439/946, 948, 159; 438/121; 710/300-303; 174/250, 260, 174/52.1, 52.2; 206/38, 39.4, 39.5
CPC G06K 19/06196; G06K 19/072; G06K 19/0721; G06K 19/0722; G06K 19/0723; G06K 19/0724; G06K 19/0725; G06K 19/0726; G06K 19/0727; G06K 19/0728; G06K 19/073; G06K 19/07309; G06K 19/077; G06K 19/07701; G06K 19/07715; G06K 19/0772; G06K

(56) **References Cited**

U.S. PATENT DOCUMENTS

D698,792 S * 2/2014 Lin D14/435
D702,689 S * 4/2014 Lin D14/435

(Continued)

Primary Examiner — Susan Moon Lee

(74) *Attorney, Agent, or Firm* — Sughrue Mion, PLLC

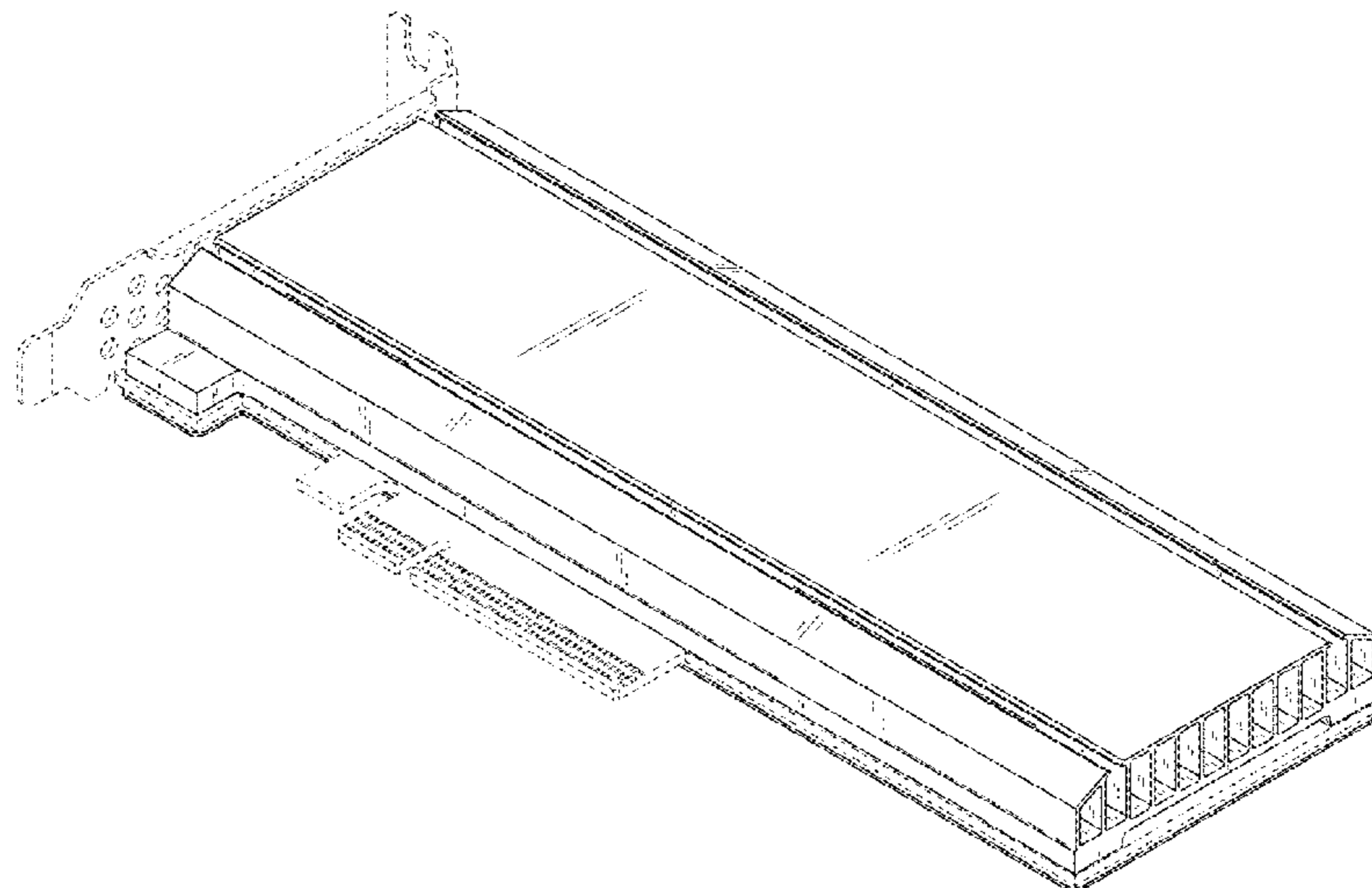
(57) **CLAIM**

The ornamental design for an SSD (solid state drive), as shown and described.

DESCRIPTION

FIG. 1 is a perspective view of an SSD (solid state drive) showing my new design;
FIG. 2 is a front view thereof;
FIG. 3 is a rear view thereof;
FIG. 4 is a left-side view thereof;
FIG. 5 is a right-side view thereof;
FIG. 6 is a top plan view thereof;
FIG. 7 is a bottom plan view thereof; and,
FIG. 8 is an exploded perspective view, in which the bracket part that separates from the SSD is in a detached state.
The evenly-spaced dashed broken lines in the figures depict environmental subject matter and form no part of the claimed design.

1 Claim, 8 Drawing Sheets



(58) **Field of Classification Search**

CPC .. 5/0278; H05K 5/0282; H05K 5/0286; H05K
5/0291; H05K 5/0295; H05K 5/03; H05K
5/04; H05K 5/06; H05K 5/061; H05K
5/062; H05K 5/063; H05K 5/064; H05K
5/065; H05K 5/066; H05K 5/067; H05K
5/068; H05K 5/069; H05K 7/00; H05K
7/005; H05K 7/02; H05K 7/023; H05K
7/026; H05K 7/04; H05K 7/10; H05K
7/1418; H05K 7/142; H05K 7/1424;
H05K 7/1427-1439; H05K 7/1461; H05K
7/1464-1474; H05K 7/1479; H05K
7/1481; H05K 7/1485-1488; H05K
2201/09745; H05K 2201/09754; H05K
2201/09763; H05K 2201/09772; H05K
2201/098; H05K 2201/09818; H05K
2201/10; H05K 2201/10007; H04N
2201/216

See application file for complete search history.

(56) **References Cited**

U.S. PATENT DOCUMENTS

D896,229 S *	9/2020	Jun	D14/435
D896,230 S *	9/2020	Jun	D14/435
D896,231 S *	9/2020	Jun	D14/435
D916,706 S *	4/2021	Fan	D14/435
D918,920 S *	5/2021	Fan	D14/435

* cited by examiner

FIG. 1

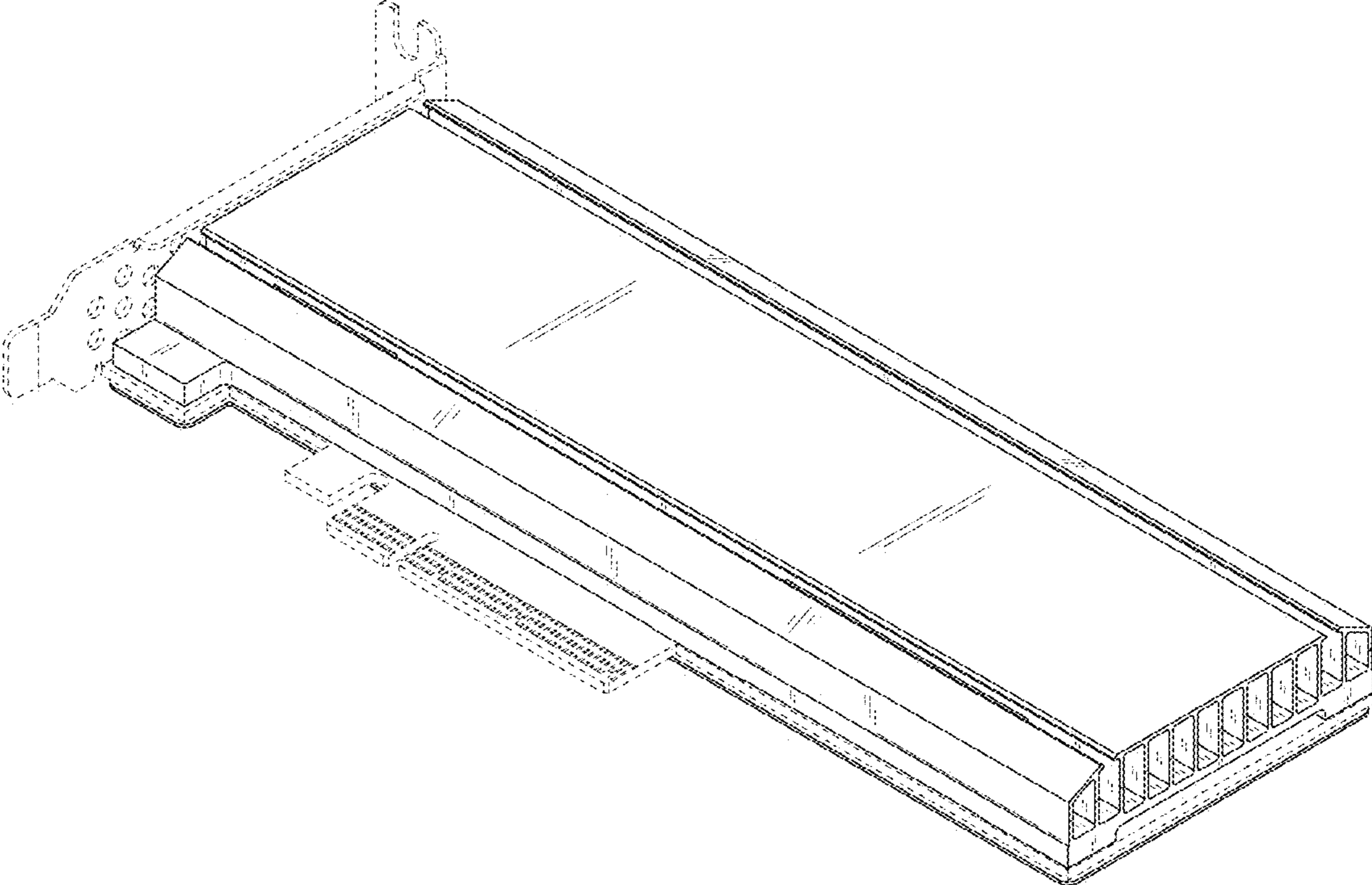


FIG. 2

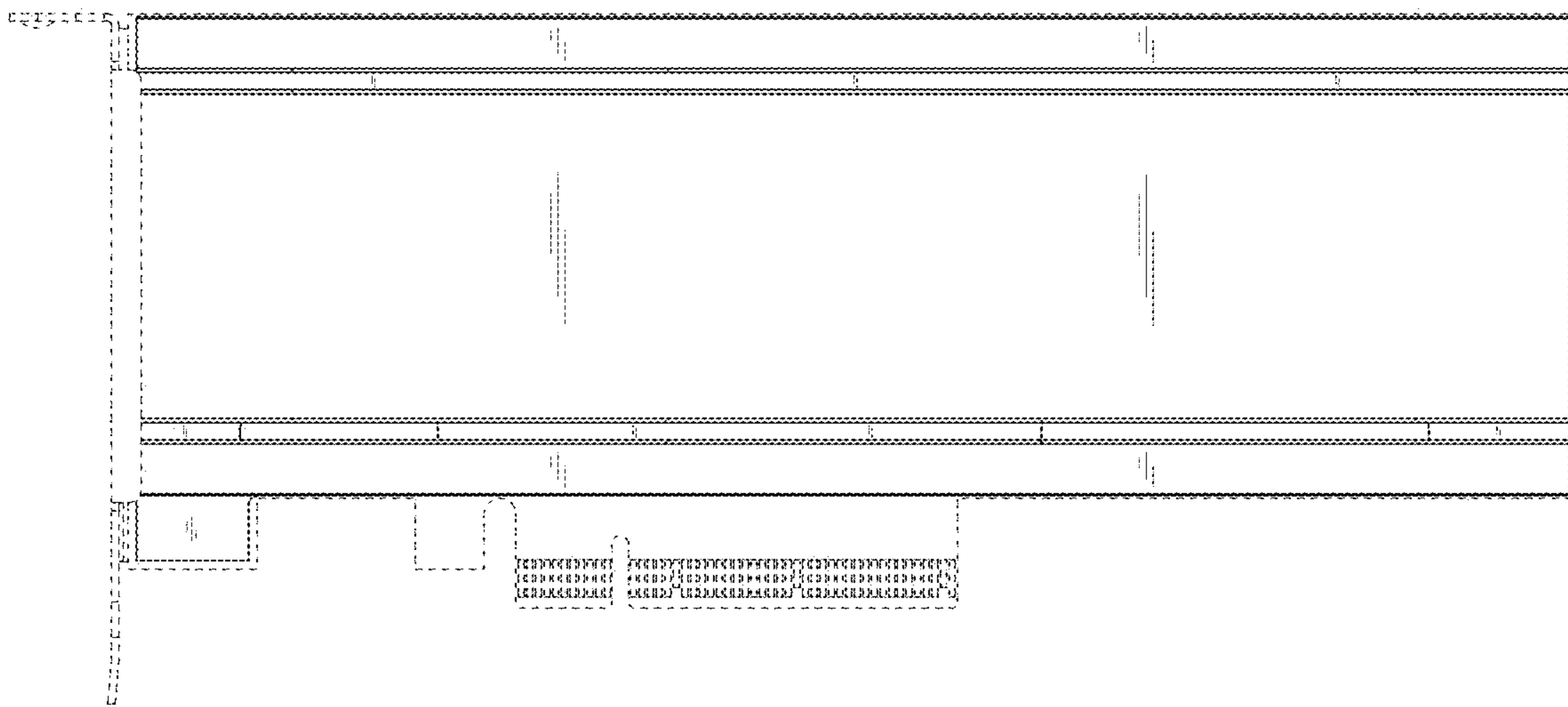


FIG. 3

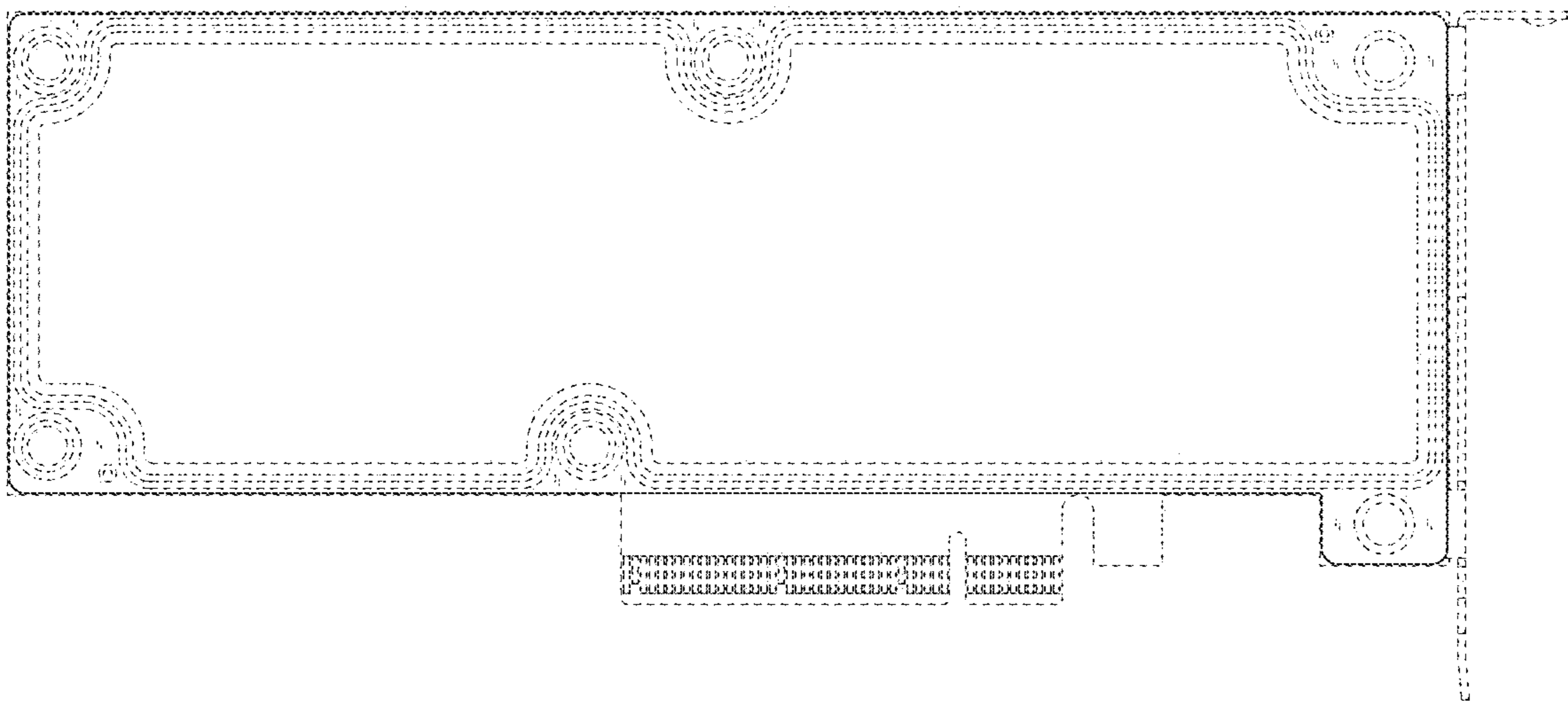


FIG. 4

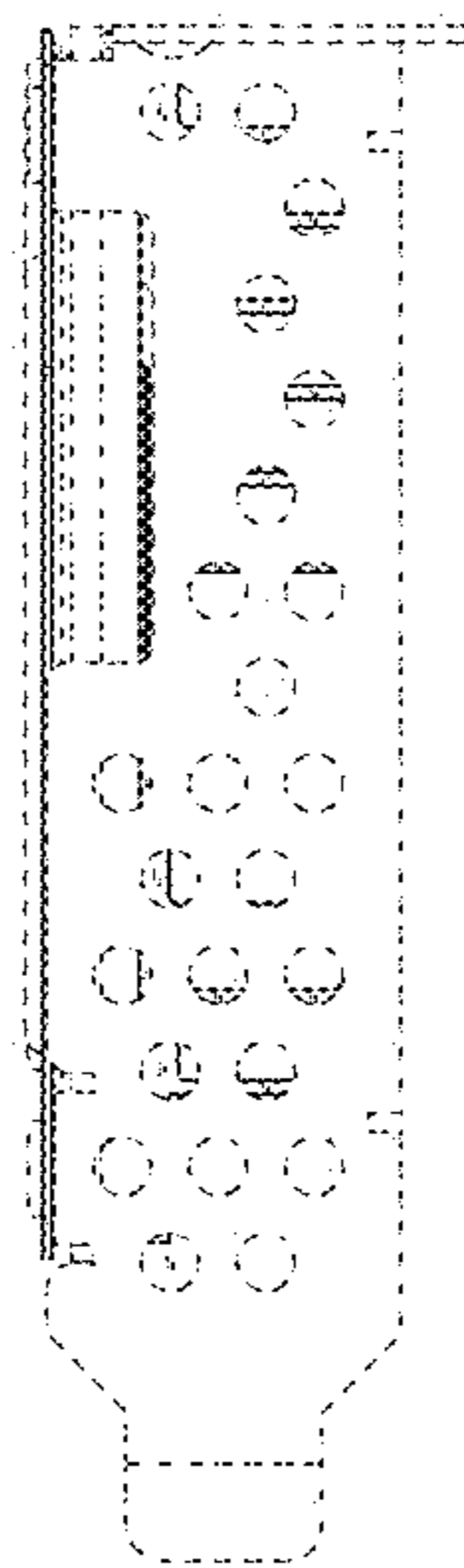


FIG. 5

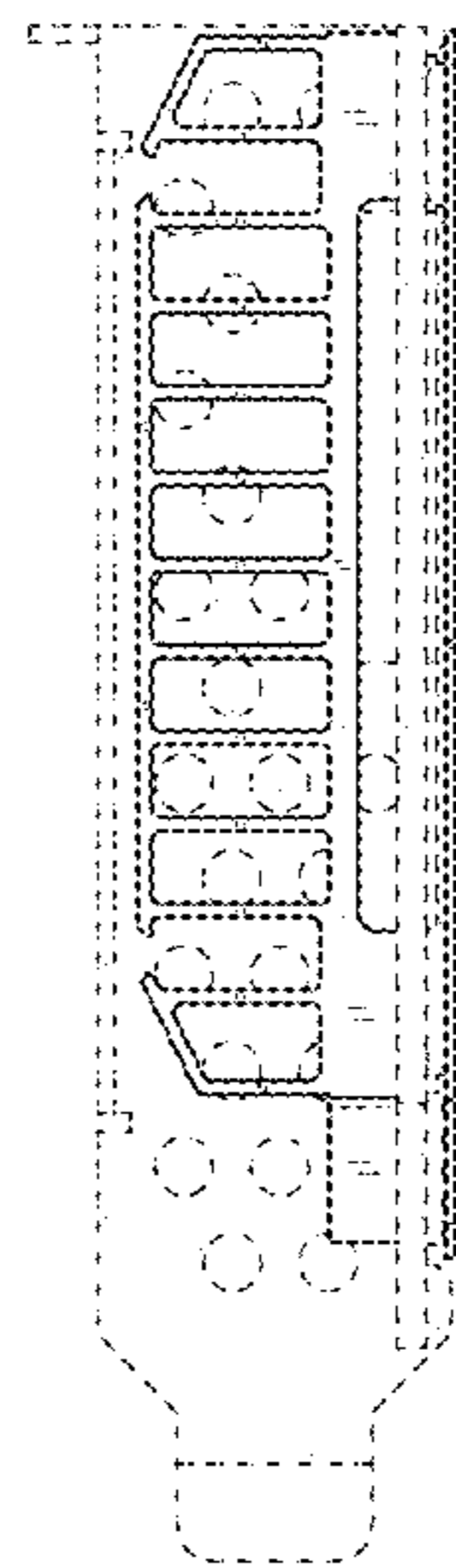


FIG. 6

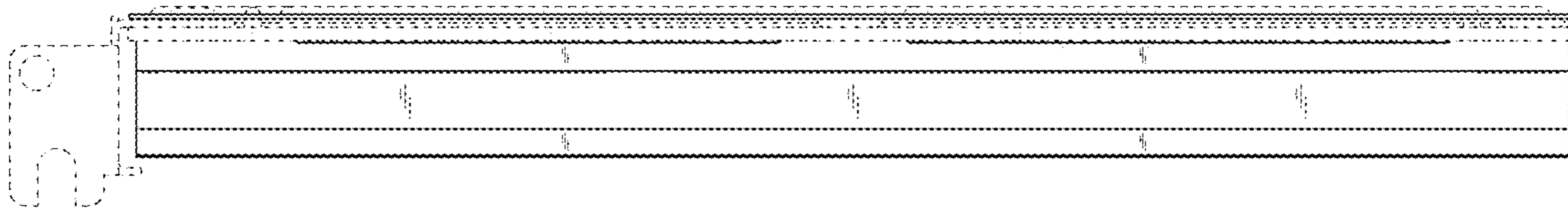


FIG. 7

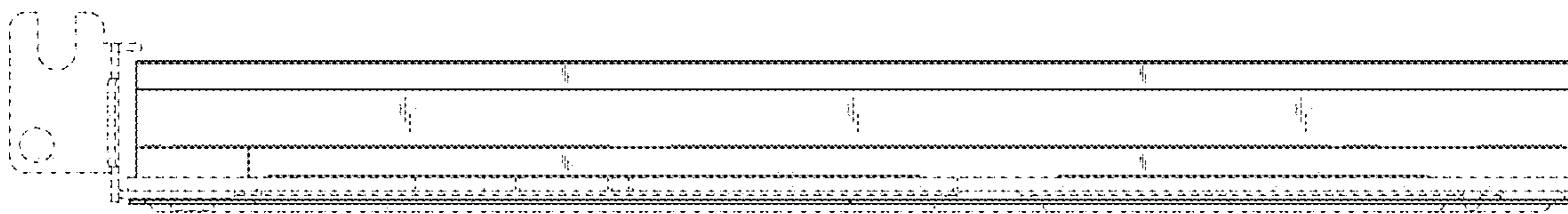


FIG. 8

