



US00D943585S

(12) **United States Design Patent**
Engineer et al.

(10) **Patent No.:** **US D943,585 S**

(45) **Date of Patent:** **** Feb. 15, 2022**

(54) **DIGITAL DATA RECEIVER**

(71) Applicant: **Workaround GmbH**, Munich (DE)

(72) Inventors: **Sean Engineer**, Munich (DE); **Hans Hochkeppel**, Munich (DE)

(73) Assignee: **WORKAROUND GMBH**, Munich (DE)

(**) Term: **15 Years**

(21) Appl. No.: **29/779,610**

(22) Filed: **Apr. 20, 2021**

Related U.S. Application Data

(62) Division of application No. 35/508,584, filed on Aug. 14, 2019 (U.S. filing date under 35 U.S.C. 384), and having an international filing date of Aug. 14, 2019, now Pat. No. Des. 922,063.

(30) **Foreign Application Priority Data**

Jun. 3, 2019 (EM) 006560199-0001
Jun. 3, 2019 (EM) 006560199-0003

(51) **LOC (13) Cl.** **14-02**

(52) **U.S. Cl.**
USPC **D14/427**; D14/420

(58) **Field of Classification Search**
USPC D14/191, 192, 240, 388, 420, 422, 426, D14/427, 429, 430, 447, 451, 453, 454; D2/610, 614, 617; D3/215, 218
CPC A47B 21/04; A47B 2097/006; A47B 2097/005; A47B 2023/049; A45C 2011/002; A45C 2011/003; F16M 2200/00; F16M 13/00; H02J 7/0044; G06K 7/10; G06K 7/10821; A45F 5/00
See application file for complete search history.

(56) **References Cited**

U.S. PATENT DOCUMENTS

D335,662	S	*	5/1993	Shepard	D14/427
5,340,972	A	‡	8/1994	Sandor	G06K 7/10564 235/462.44
D350,735	S	*	9/1994	Karlin	D14/426
5,587,577	A	‡	12/1996	Schultz	G06K 7/10881 235/462.44
D377,348	S	‡	1/1997	Karlin	14/2
5,610,387	A	‡	3/1997	Bard	G04B 47/00 235/462.44
D410,545	S	‡	6/1999	Cowan	D24/173
D419,546	S	*	1/2000	Krantz	D14/426
D453,514	S	*	2/2002	Elam	D14/420
D504,224	S	‡	4/2005	Sexson	D3/218
D526,479	S	‡	8/2006	Brandenburg	D3/218
7,334,711	B1	‡	2/2008	Winters	A45F 5/00 224/217
D580,626	S	‡	11/2008	MacKay	D2/617

(Continued)

Primary Examiner — Keli L Hill

(74) *Attorney, Agent, or Firm* — Panitch Schwarze Belisario & Nadel LLP

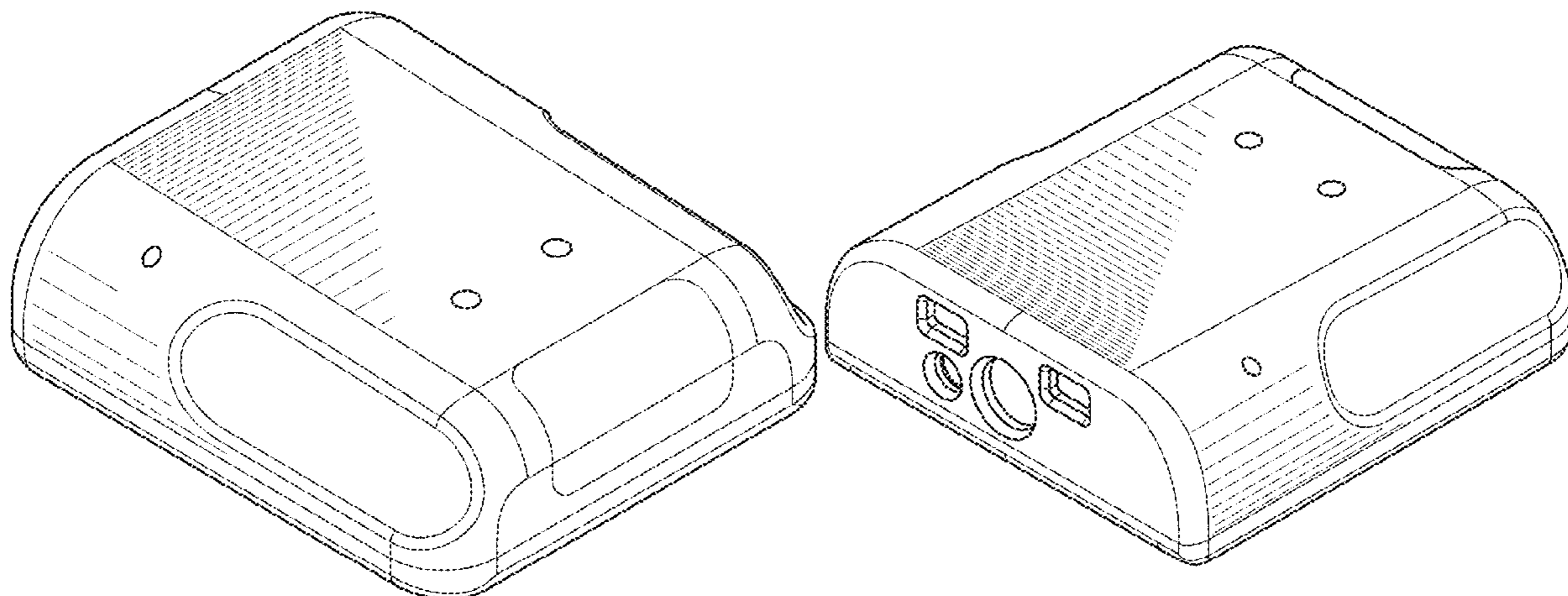
(57) **CLAIM**

The ornamental design for a digital data receiver, as shown and described.

DESCRIPTION

FIG. 1 is a top, front and right perspective view of the digital data receiver, in accordance with our design;
FIG. 2 is a top, rear and right perspective view thereof;
FIG. 3 is a top plan view thereof;
FIG. 4 is a bottom plan view thereof;
FIG. 5 is a rear elevational view thereof; and,
FIG. 6 is a right-side elevational view thereof.
The broken lines in the figures are for the purpose of showing environmental structure and form no part of the claimed design.

1 Claim, 6 Drawing Sheets



(56)

References Cited

U.S. PATENT DOCUMENTS

D586,823 S * 2/2009 Anderson D14/496
 D642,165 S * 7/2011 Kyriakides D14/240
 D685,773 S * 7/2013 Katarow D14/240
 D708,846 S ‡ 7/2014 Waldon D3/218
 D722,764 S ‡ 2/2015 Sloan D3/218
 D733,108 S ‡ 6/2015 Salaz D14/240
 D745,014 S ‡ 12/2015 Vales D14/447
 D748,911 S ‡ 2/2016 Grech D3/218
 D759,958 S ‡ 6/2016 Requa D3/218
 D763,568 S ‡ 8/2016 Singhal D3/218
 D766,244 S * 9/2016 Zhou D14/421
 D798,294 S ‡ 9/2017 Toth D14/344
 D811,729 S ‡ 3/2018 Bysshe D3/218
 D831,335 S ‡ 10/2018 Crease D3/218
 D832,207 S * 10/2018 Gorin D13/107
 D858,525 S * 9/2019 Sittig D14/427
 D863,304 S * 10/2019 Watanabe D14/420
 D900,121 S ‡ 10/2020 Pierson F16M 11/105
 D901,879 S ‡ 11/2020 Barrons D14/447
 D901,879 S ‡ 11/2020 Barrons D3/218

D908,123 S * 1/2021 Shim D14/348
 2002/0047028 A1 ‡ 4/2002 Harada A45F 5/00
 2006/0289771 A1 * 12/2006 White G06K 7/10891
 2009/0032560 A1 * 2/2009 Strandberg B41J 3/36
 2012/0255978 A1 ‡ 10/2012 Williams A45F 5/00
 2013/0082078 A1 ‡ 4/2013 Totani H04B 1/385
 2014/0249944 A1 ‡ 9/2014 Hicks G06Q 30/0281
 2016/0286945 A1 * 10/2016 Kim F16M 13/02
 2018/0146720 A1 ‡ 5/2018 Sittig A41D 19/04
 2019/0364996 A1 ‡ 12/2019 Kettner A41D 19/0024
 2020/0245939 A1 ‡ 8/2020 Sittig A61B 5/6825
 2020/0267852 A1 * 8/2020 Brunnbauer G06K 7/1413
 2020/0272801 A1 ‡ 8/2020 Mistkawi G06K 7/10891
 2020/0289001 A1 ‡ 9/2020 Mantrawadi A61B 5/02438
 2021/0080056 A1 ‡ 3/2021 Brun A45C 13/30

* cited by examiner

‡ imported from a related application

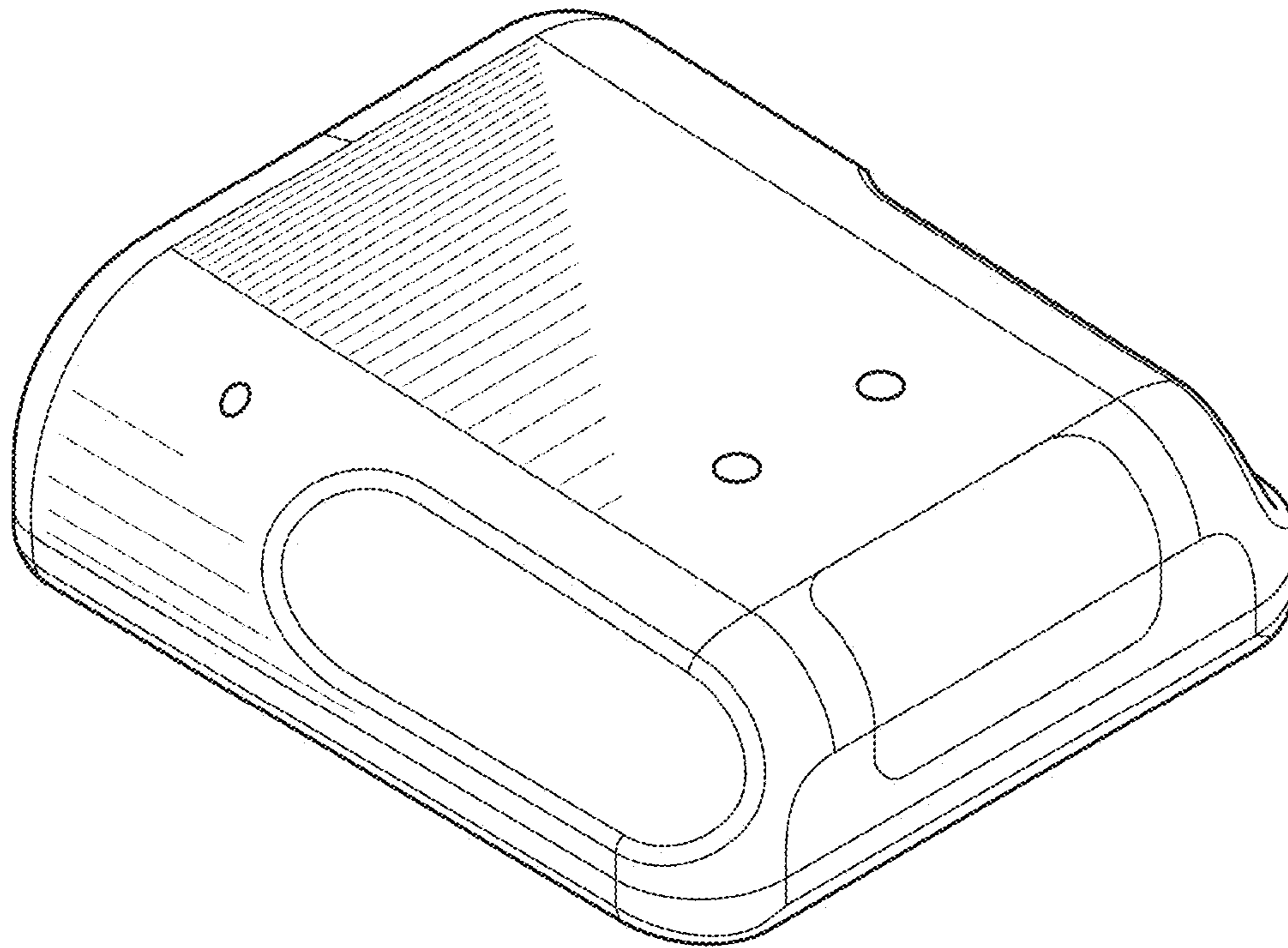


Fig. 1

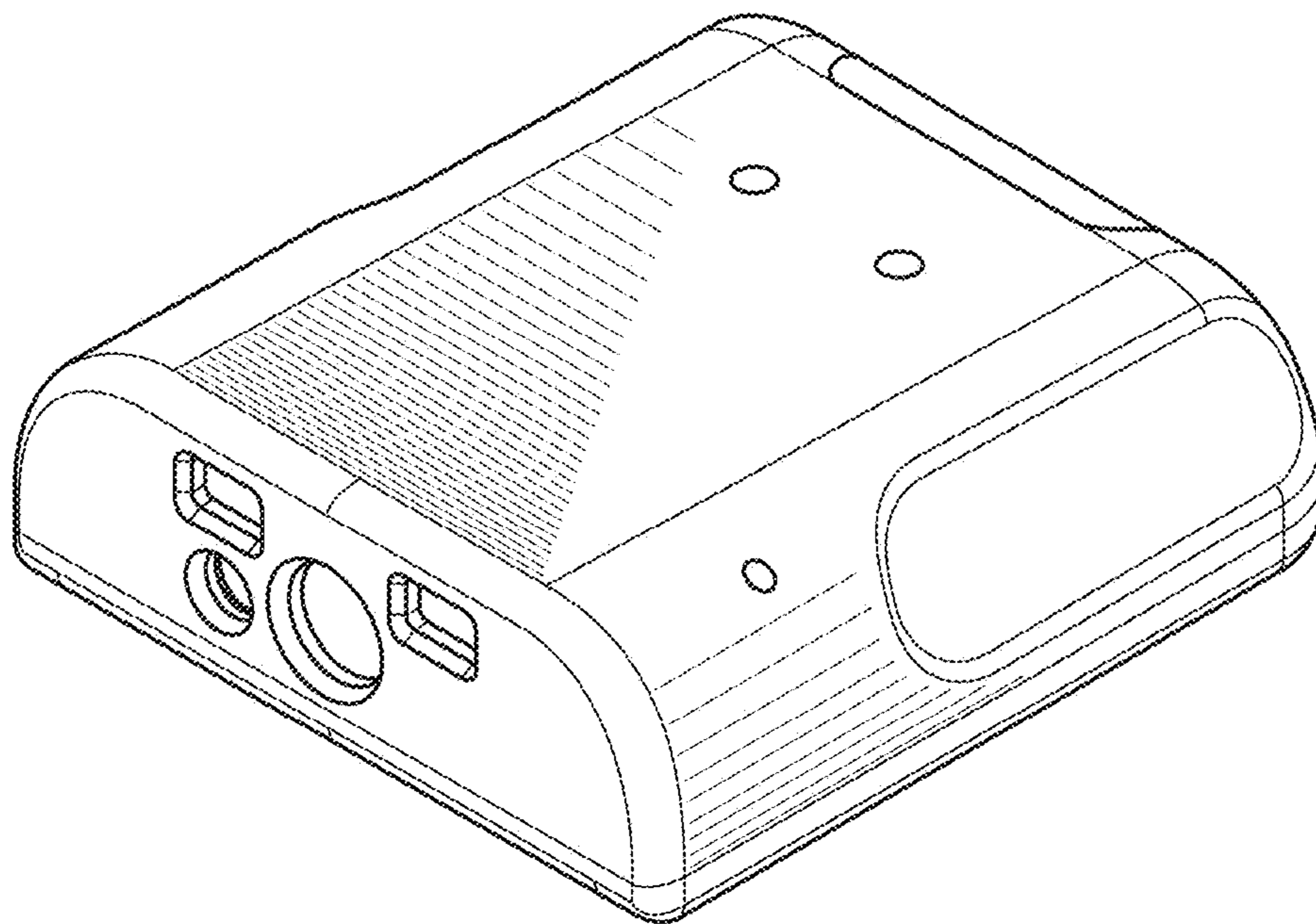


Fig. 2

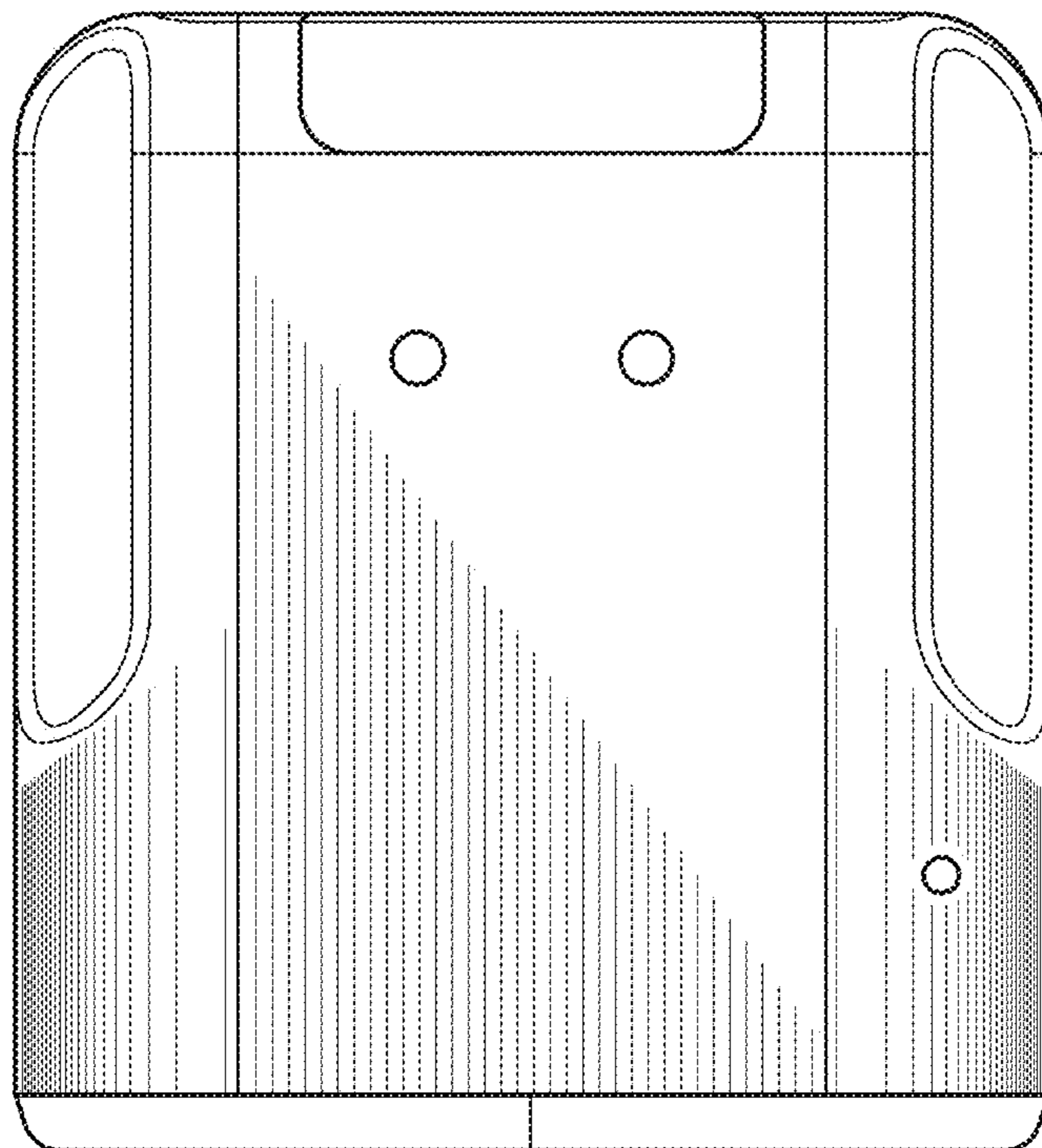


Fig. 3

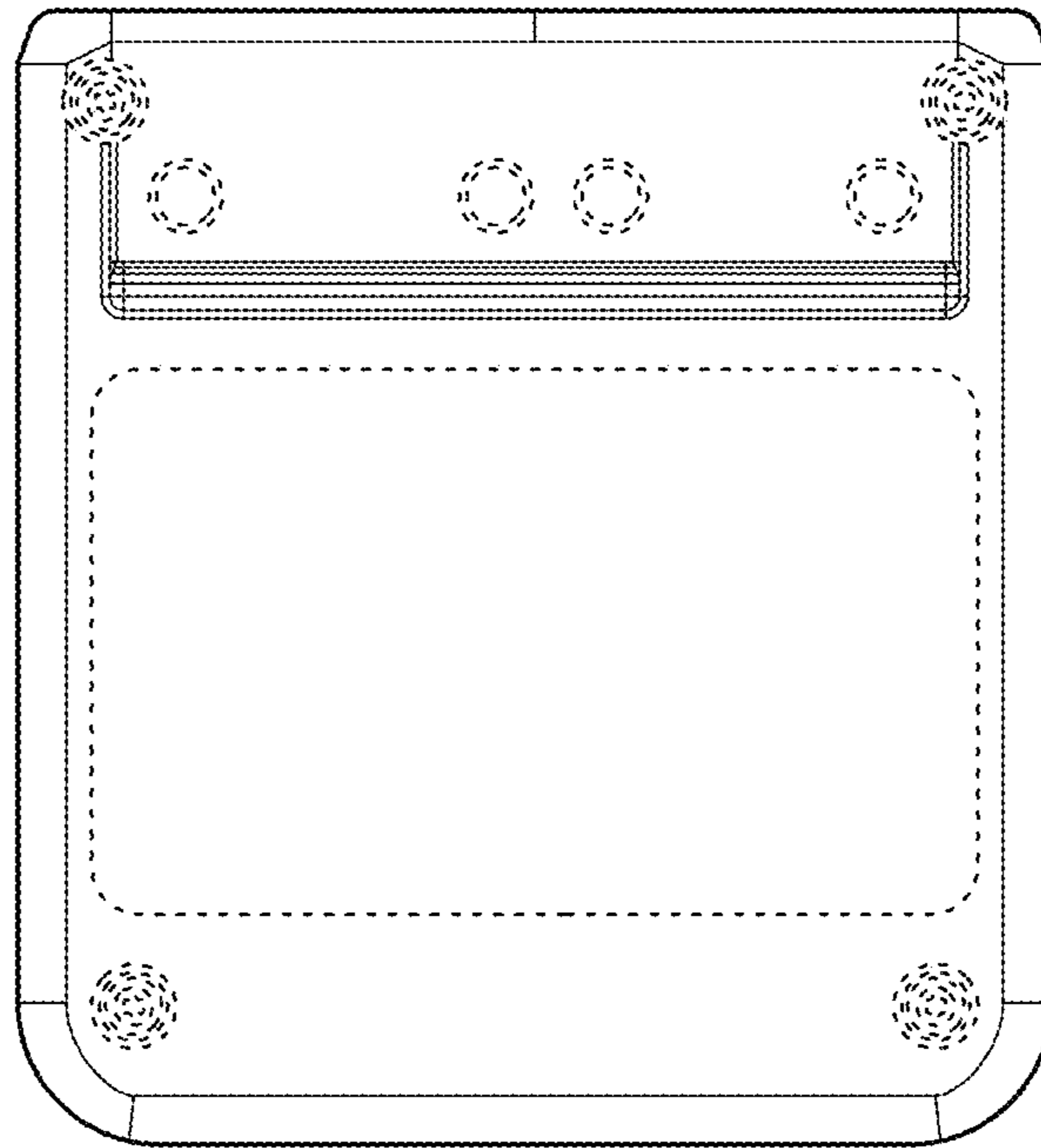


Fig. 4

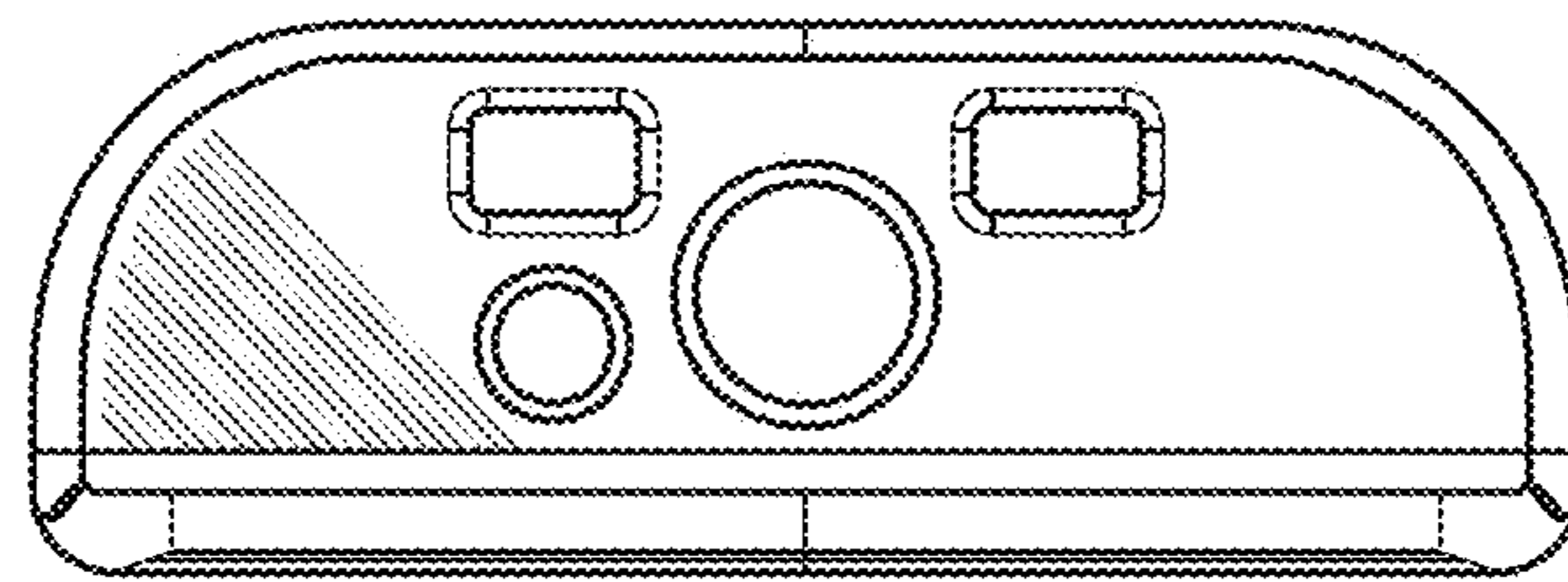


Fig. 5

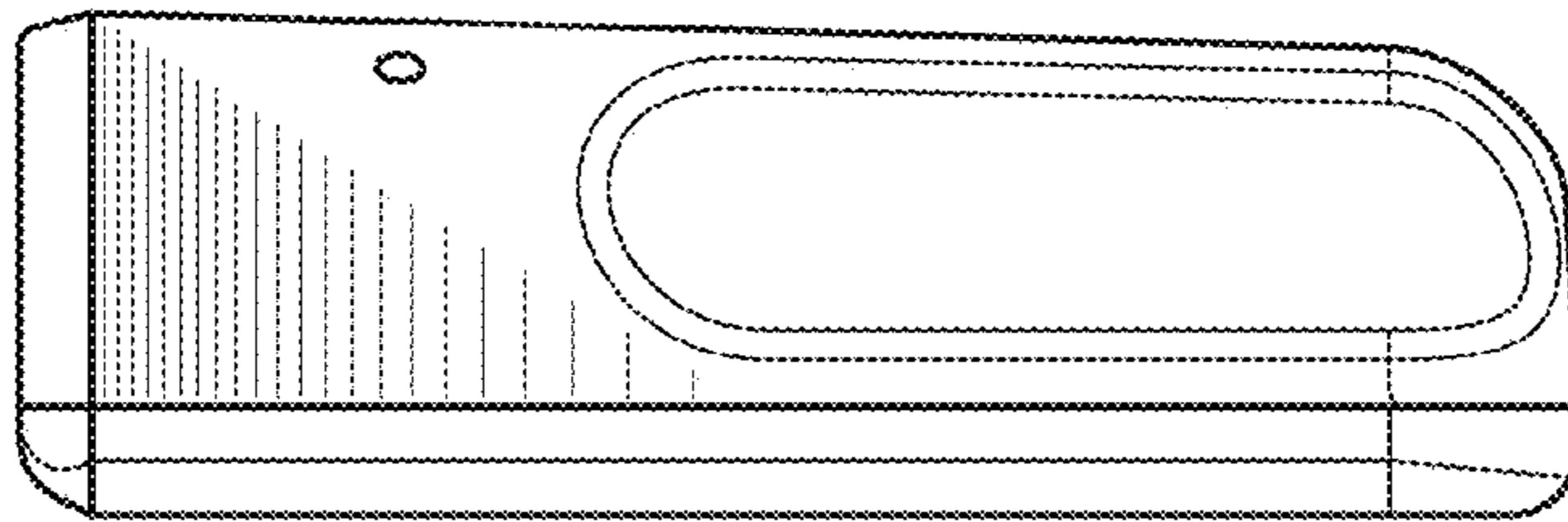


Fig. 6