



US00D943584S

(12) **United States Design Patent**
Lim et al.

(10) **Patent No.:** **US D943,584 S**
(45) **Date of Patent:** **** Feb. 15, 2022**

- (54) **MOBILE COMPUTING DEVICE**
- (71) Applicant: **ZEBRA TECHNOLOGIES CORPORATION**, Lincolnshire, IL (US)
- (72) Inventors: **Sunghun Lim**, Bethpage, NY (US); **Ian R. Jenkins**, Stony Brook, NY (US); **JaeHo Choi**, Whitestone, NY (US)
- (73) Assignee: **Zebra Technologies Corporation**, Lincolnshire, IL (US)
- (**) Term: **15 Years**
- (21) Appl. No.: **29/771,654**
- (22) Filed: **Feb. 24, 2021**

Related U.S. Application Data

- (63) Continuation of application No. 29/650,916, filed on Jun. 11, 2018, now Pat. No. Des. 914,684.
- (51) **LOC (13) Cl.** **14-02**
- (52) **U.S. Cl.**
USPC **D14/426**; D14/341; D14/138 G
- (58) **Field of Classification Search**
USPC D14/315-318, 341-347, 420, 426, 240, D14/129-130, 496, 137, 138 R, 138 AA, D14/138 AB, 138 AC, 138 AD, 138 C, D14/138 G, 147, 203.1-203.8, 218, 247, D14/371, 248, 388-389, 374, 429, 453; D6/308, 310; D10/104.1, 50, 65; D18/6-7; D19/26, 59, 60; D21/324, D21/329, 330, 332
CPC G06F 1/1626; G06F 1/1613; G06F 3/0488; G06F 3/04886; G06F 3/041; G06F 3/0412; G06F 3/0416; H04M 1/725; H04M 1/0202; H04M 1/0266

See application file for complete search history.

(56) **References Cited**

U.S. PATENT DOCUMENTS

D611,366 S	3/2010	Register et al.	
D618,648 S	6/2010	Bang et al.	
D654,462 S *	2/2012	Nara	D14/138 G
D682,245 S *	5/2013	Harmon	D14/138 G
D703,661 S *	4/2014	Krause	D14/341
D715,245 S *	10/2014	Meneses	D14/138 G
D716,294 S	10/2014	Park et al.	

(Continued)

FOREIGN PATENT DOCUMENTS

CN	305498571	* 12/2019
CN	306092891	* 10/2020

(Continued)

OTHER PUBLICATIONS

Zebra TC20, announced May 5, 2018 [online], [retrieved Aug. 31, 2020]. Available from Internet, URL: <<https://www.youtube.com/watch?v=0B8YPsotSwA>> (Year: 2018).*

(Continued)

Primary Examiner — Dana K Weiland

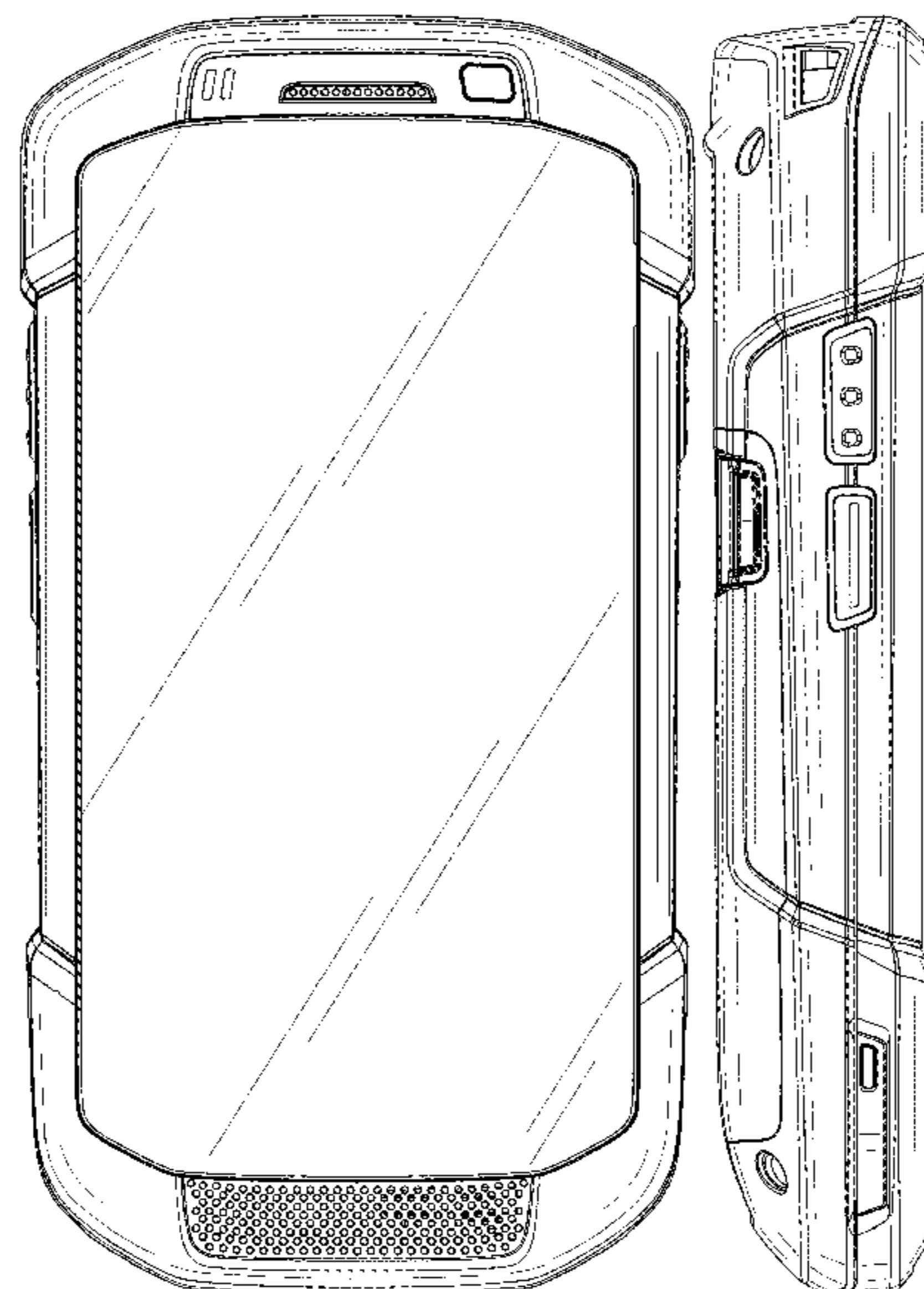
(57) **CLAIM**

We claim the ornamental design for a mobile computing device, as shown and described.

DESCRIPTION

FIG. 1 is a front perspective view of a mobile computing device, showing the new design;
FIG. 2 is a rear perspective view thereof;
FIG. 3 is a front view thereof;
FIG. 4 is a rear view thereof;
FIG. 5 is a left side view thereof;
FIG. 6 is a right side view thereof;
FIG. 7 is a top view thereof; and,
FIG. 8 is a bottom view thereof.

1 Claim, 7 Drawing Sheets



(56)

References Cited

U.S. PATENT DOCUMENTS

D721,348 S 1/2015 Plaschke
 D721,705 S 1/2015 Lim et al.
 D742,822 S 11/2015 Ju
 D760,216 S * 6/2016 Krause D14/341
 D767,564 S 9/2016 Li
 9,462,712 B2 10/2016 Wilson et al.
 D775,099 S * 12/2016 Higashide D14/138 G
 D775,596 S * 1/2017 Guo D14/138 G
 D785,584 S 5/2017 Nilsen et al.
 D788,058 S * 5/2017 Astheimer D14/138 G
 D795,214 S * 8/2017 Tschopp D14/138 G
 D802,551 S * 11/2017 Hunt D14/138 G
 D823,300 S * 7/2018 Fountain D14/341
 D823,852 S * 7/2018 Shen D14/341
 D825,517 S * 8/2018 Wei D14/138 G
 D836,638 S * 12/2018 Fountain D14/426
 D840,961 S * 2/2019 Panosian D14/138 G
 D843,337 S 3/2019 Nakagawa
 D870,722 S * 12/2019 Shen D14/341
 D875,699 S 2/2020 Hong
 D882,541 S * 4/2020 Xu D14/138 G
 D886,074 S * 6/2020 Wei D14/138 G
 D892,757 S 8/2020 Pang
 D896,209 S 9/2020 Jannard et al.
 D896,224 S 9/2020 Sieckowski et al.
 D898,689 S 10/2020 Nishizawa
 10,833,465 B2 * 11/2020 Choi G06F 1/1632
 D906,993 S * 1/2021 Fitch D14/138 G

D909,327 S * 2/2021 Wei D14/138 G
 D911,345 S * 2/2021 Zhou D14/426
 D912,055 S * 3/2021 Zhang D14/426
 D914,684 S * 3/2021 Lim D14/426
 D919,625 S * 5/2021 Chen D14/426
 2013/0273944 A1 * 10/2013 Wilson H05K 5/0247
 455/457
 2020/0285285 A1 9/2020 Tsai et al.
 2020/0343747 A1 * 10/2020 Cordes H02J 7/0044
 2021/0104061 A1 * 4/2021 Narendra G01C 3/02
 2021/0233256 A1 * 7/2021 Sundaram G06K 7/1417

FOREIGN PATENT DOCUMENTS

CN 306321454 * 2/2021
 EM 002349514-0001 * 1/2014
 EM 003847516-0001 * 5/2017

OTHER PUBLICATIONS

TC70x/TC75x Quick Start Guide, announced Jul. 17, 2019 [online], [retrieved Dec. 4, 2020. Available from Internet, URL: <https://www.zebra.com/content/dam/zebra_new_ia/en-us/manuals/mobile-computers/tc70_75x/tc70-tc75x-qsg-en.pdf> (Year: 2019).*

Motorola MC55, announced 2009 [online], [retrieved Dec. 4, 2020. Available from Internet, URL: <https://www.gsmarena.com/motorola_mc55-pictures-2740.php> (Year: 2009).*

* cited by examiner

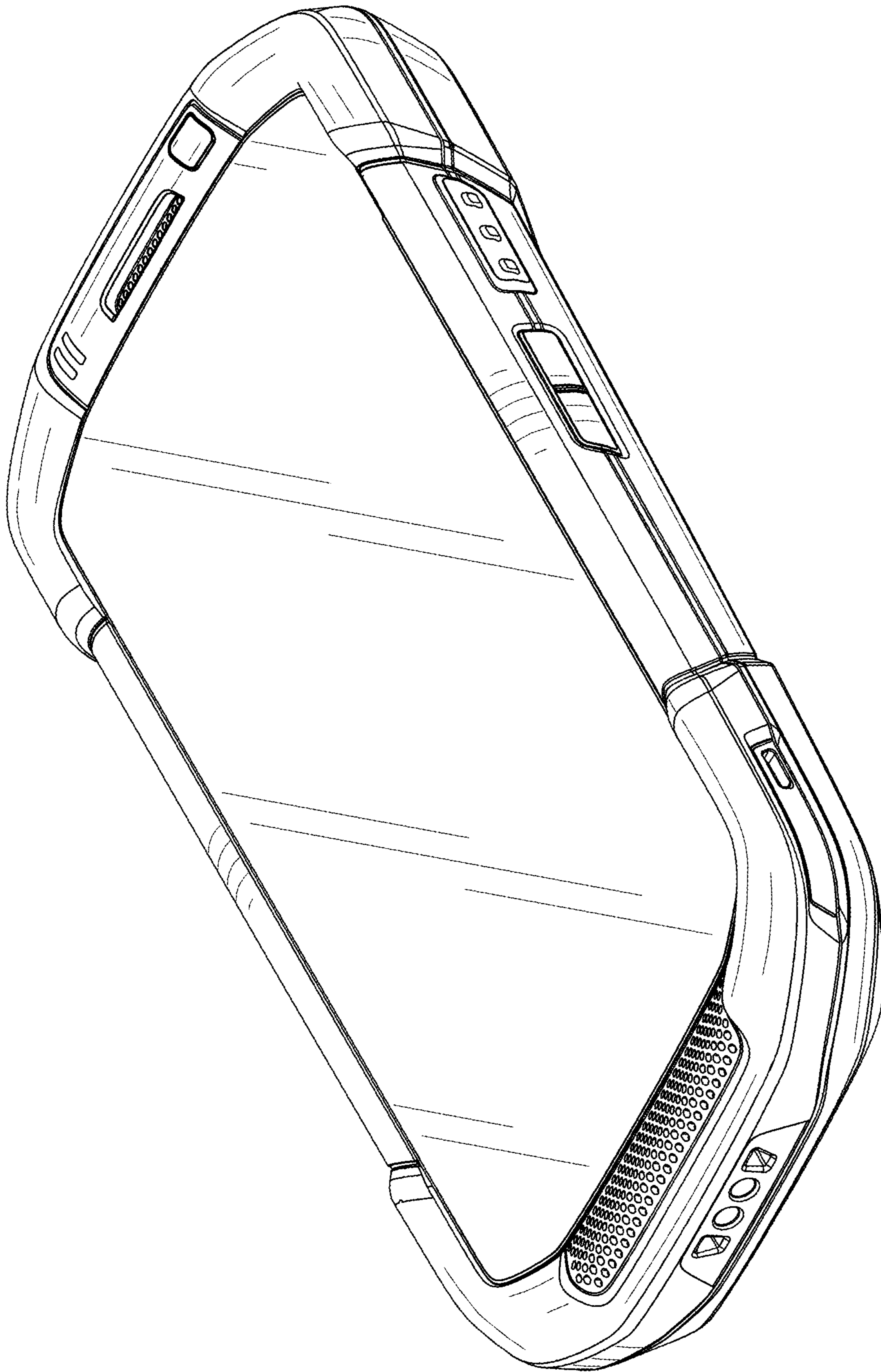


FIG. 1

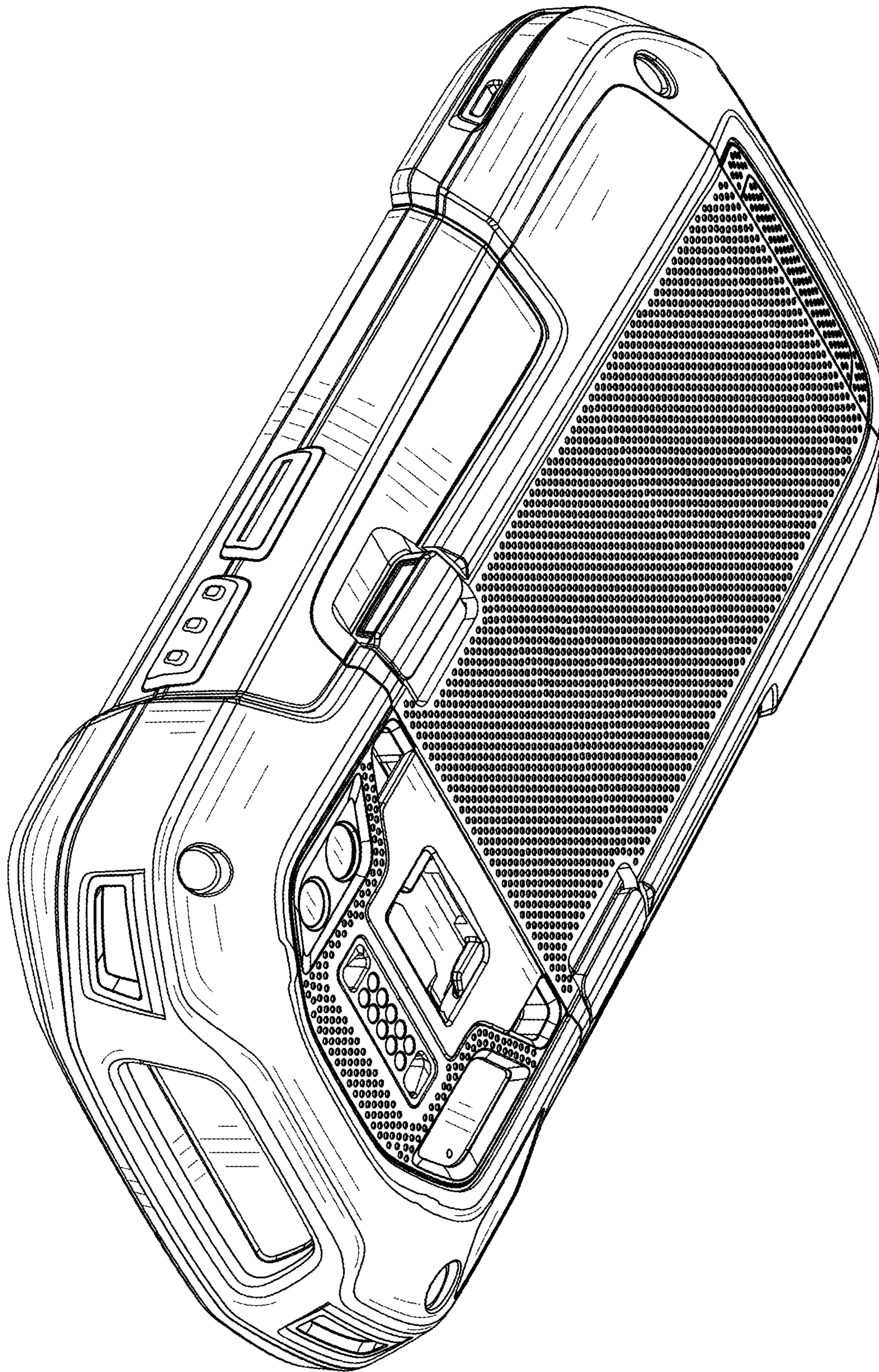


FIG. 2

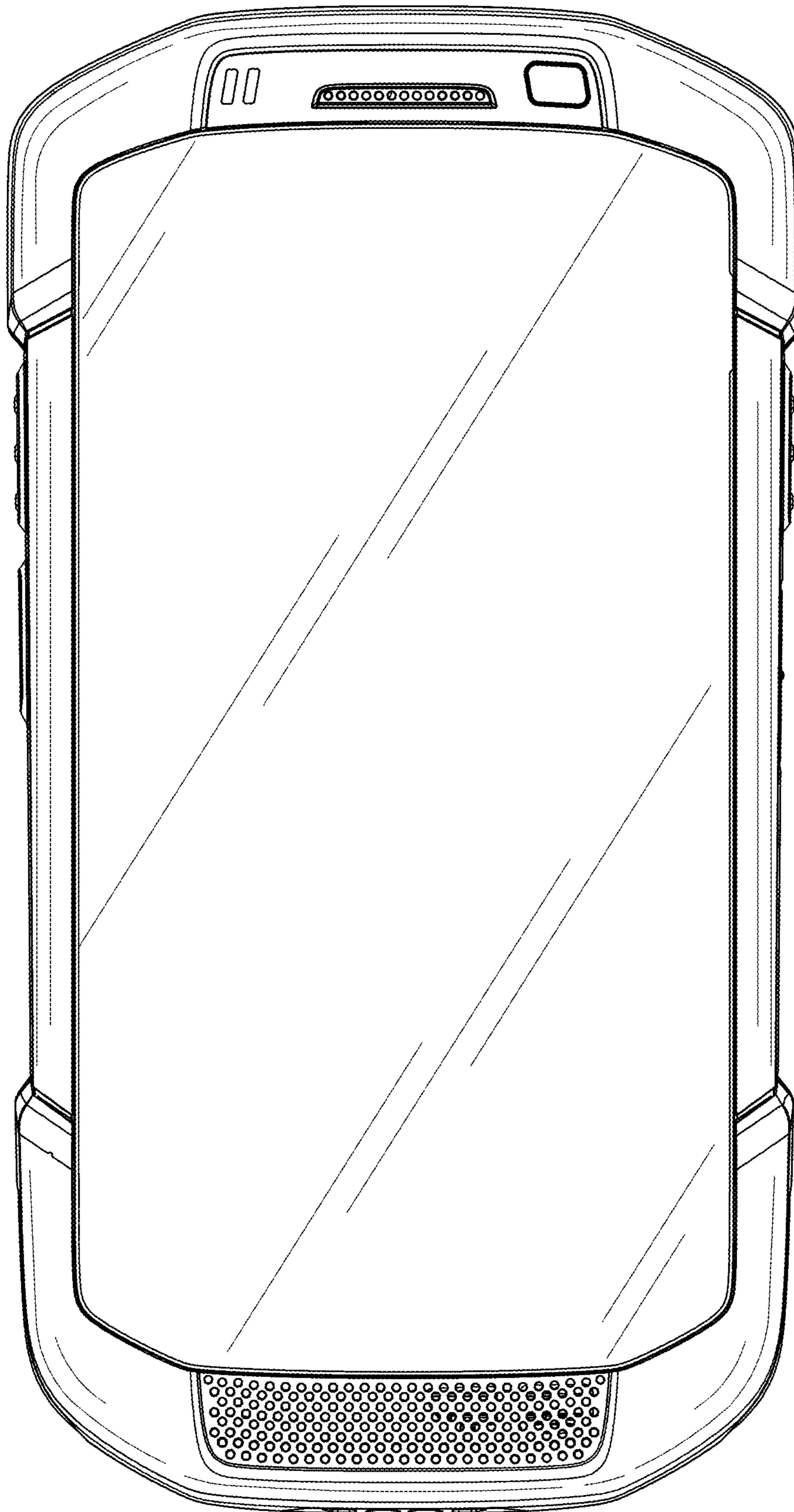


FIG. 3

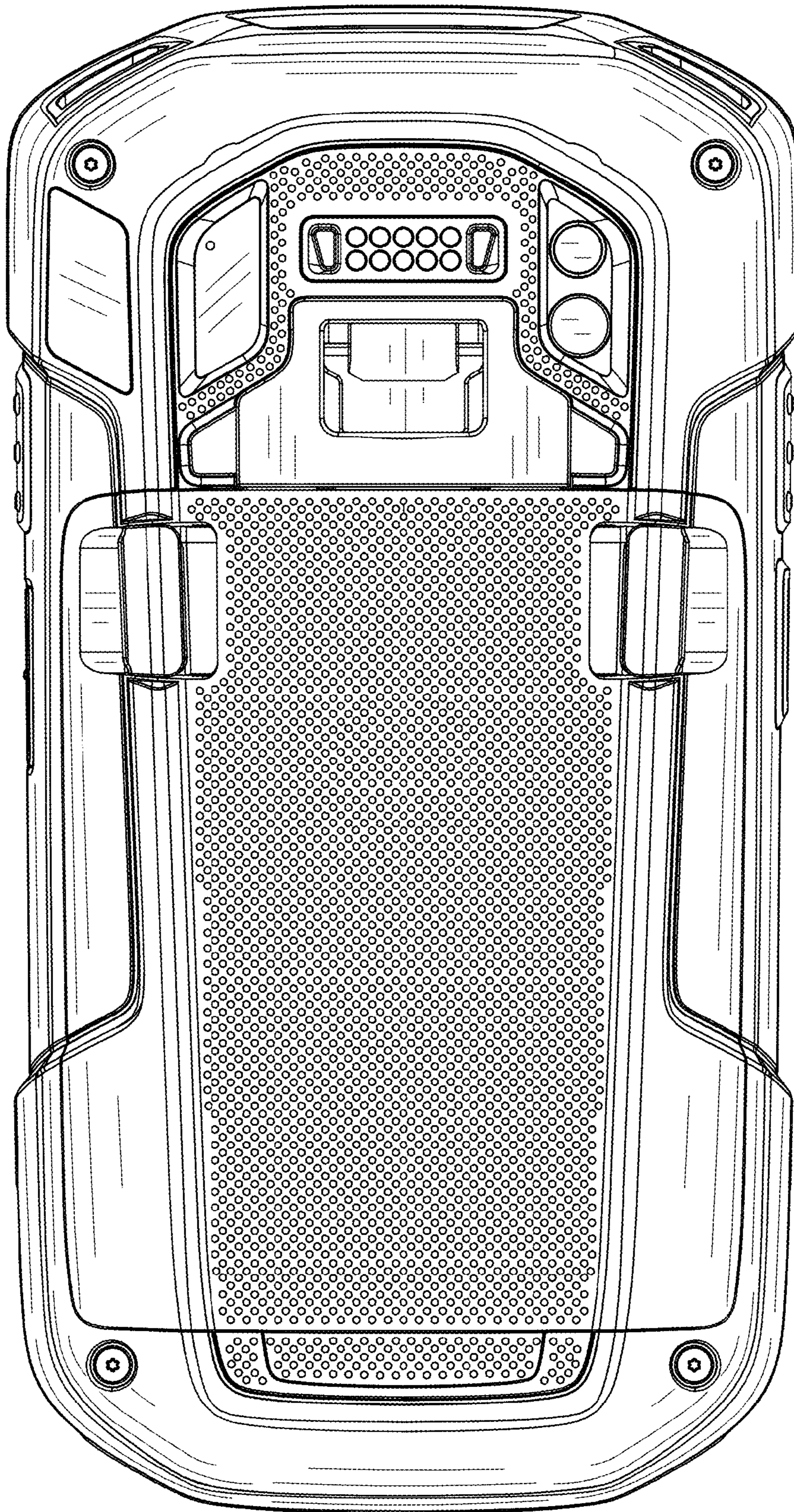


FIG. 4

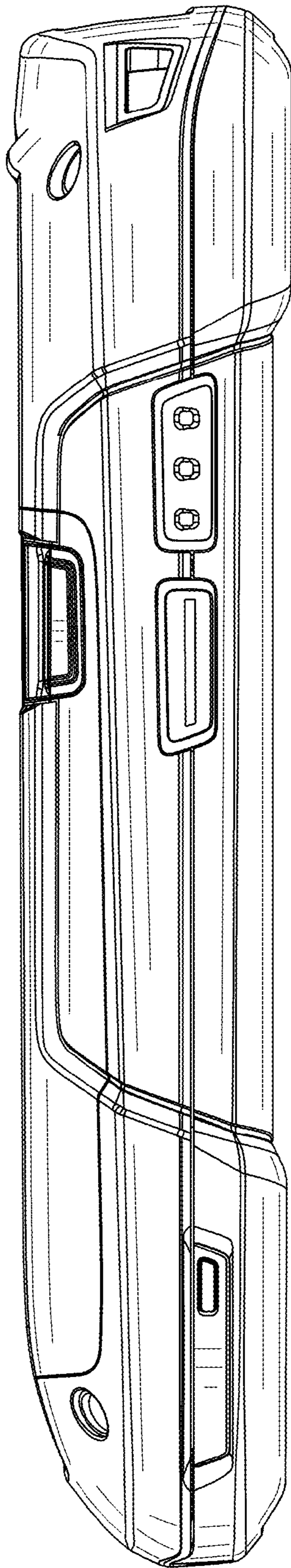


FIG. 5

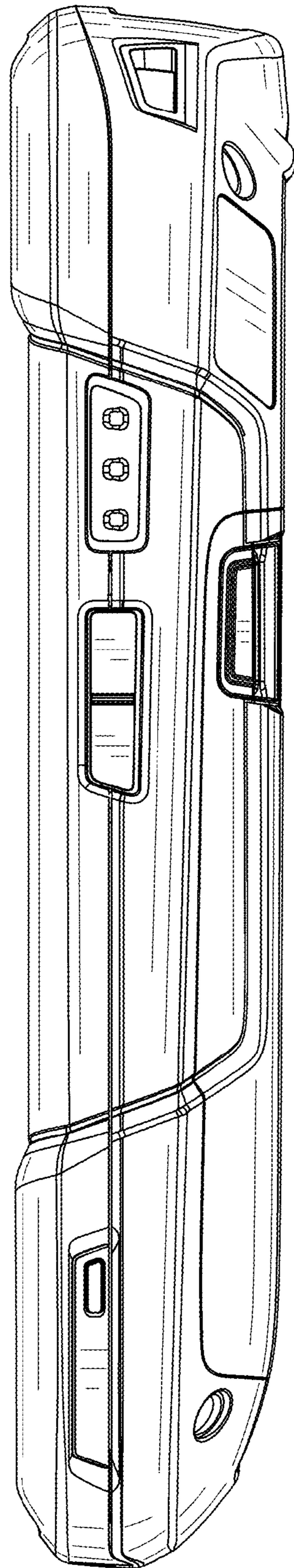


FIG. 6

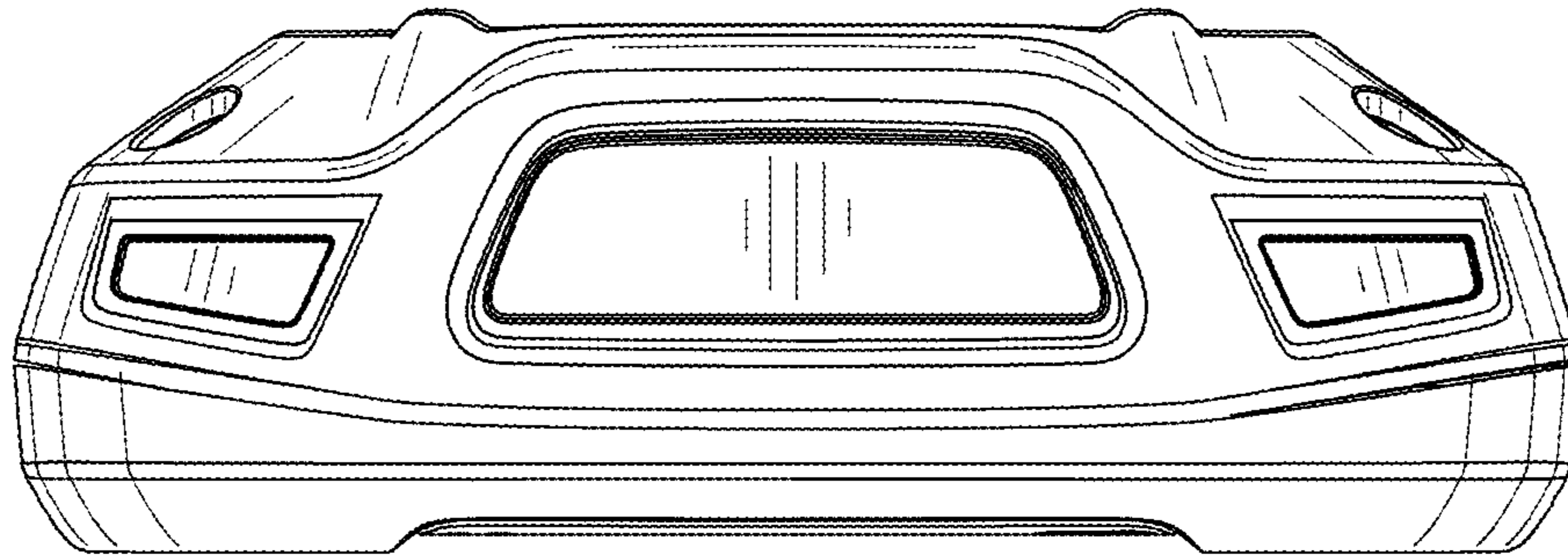


FIG. 7

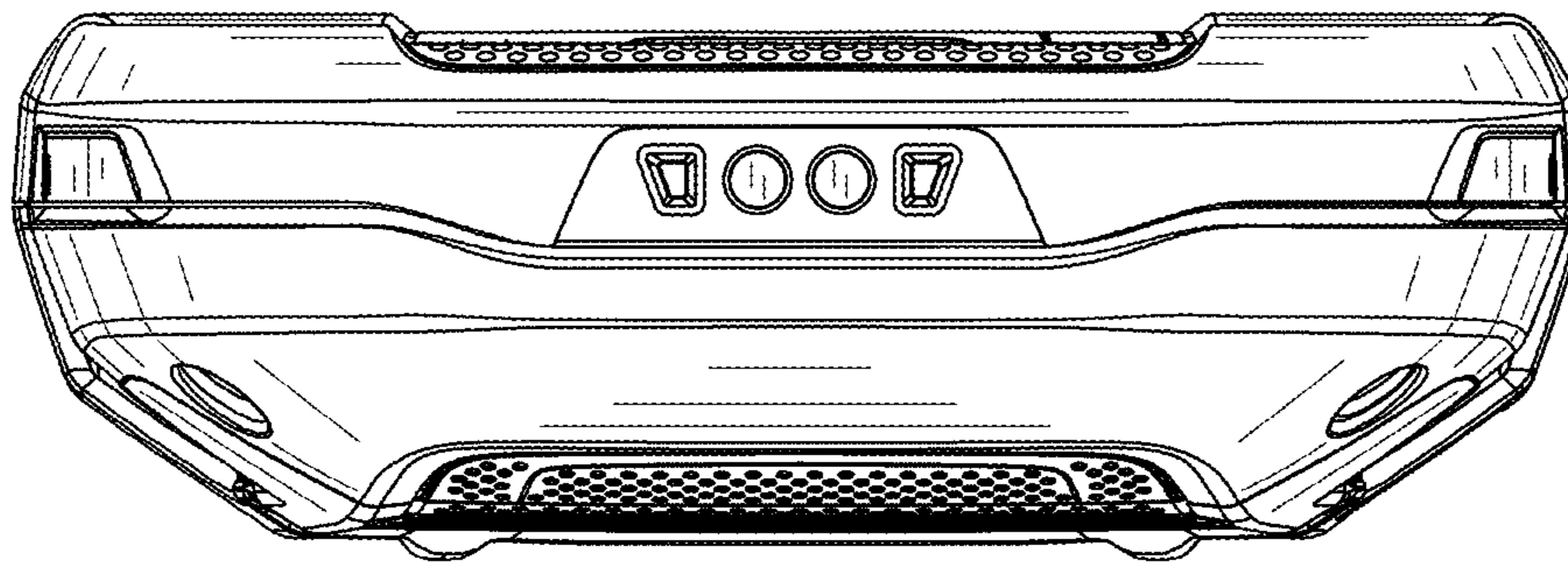


FIG. 8