



US00D943580S

(12) **United States Design Patent**
Liu

(10) **Patent No.:** **US D943,580 S**

(45) **Date of Patent:** **** Feb. 15, 2022**

(54) **MOUSE**

(71) Applicant: **SHENZHEN QIANHAI PATUOXUN NETWORK AND TECHNOLOGY CO., LTD**, Shenzhen (CN)

(72) Inventor: **Mengchang Liu**, Shenzhen (CN)

(73) Assignee: **SHENZHEN QIANHAI PATUOXUN NETWORK AND TECHNOLOGY CO., LTD**, Shenzhen (CN)

(**) Term: **15 Years**

(21) Appl. No.: **29/760,498**

(22) Filed: **Dec. 2, 2020**

(51) **LOC (13) Cl.** **14-02**

(52) **U.S. Cl.**
USPC **D14/406; D14/402**

(58) **Field of Classification Search**
USPC D14/402-411, 356, 388, 389, 383-385, D14/417, 426; 345/156-167; 463/36-38; 358/471, 473; 273/148 B
CPC G06F 3/03543; G06F 2203/0333; G06F 3/039; G06F 3/038; G06F 2203/0384
See application file for complete search history.

(56) **References Cited**

U.S. PATENT DOCUMENTS

D680,113 S * 4/2013 Li D14/409
D712,903 S * 9/2014 Lai D14/409

D764,470 S * 8/2016 Jost D14/406
D766,903 S * 9/2016 Young D14/402
D768,633 S * 10/2016 Helwig G06F 3/03543
D14/402
D771,046 S * 11/2016 Jost D14/410
D835,105 S * 12/2018 Liu D14/409
D868,785 S * 12/2019 Liu D14/409
D920,977 S * 6/2021 Chong D14/409
D920,978 S * 6/2021 Chong D14/409
D926,762 S * 8/2021 Chong D14/409
D928,786 S * 8/2021 Chong D14/409
D936,056 S * 11/2021 Turksu D14/409

* cited by examiner

Primary Examiner — Austin Murphy

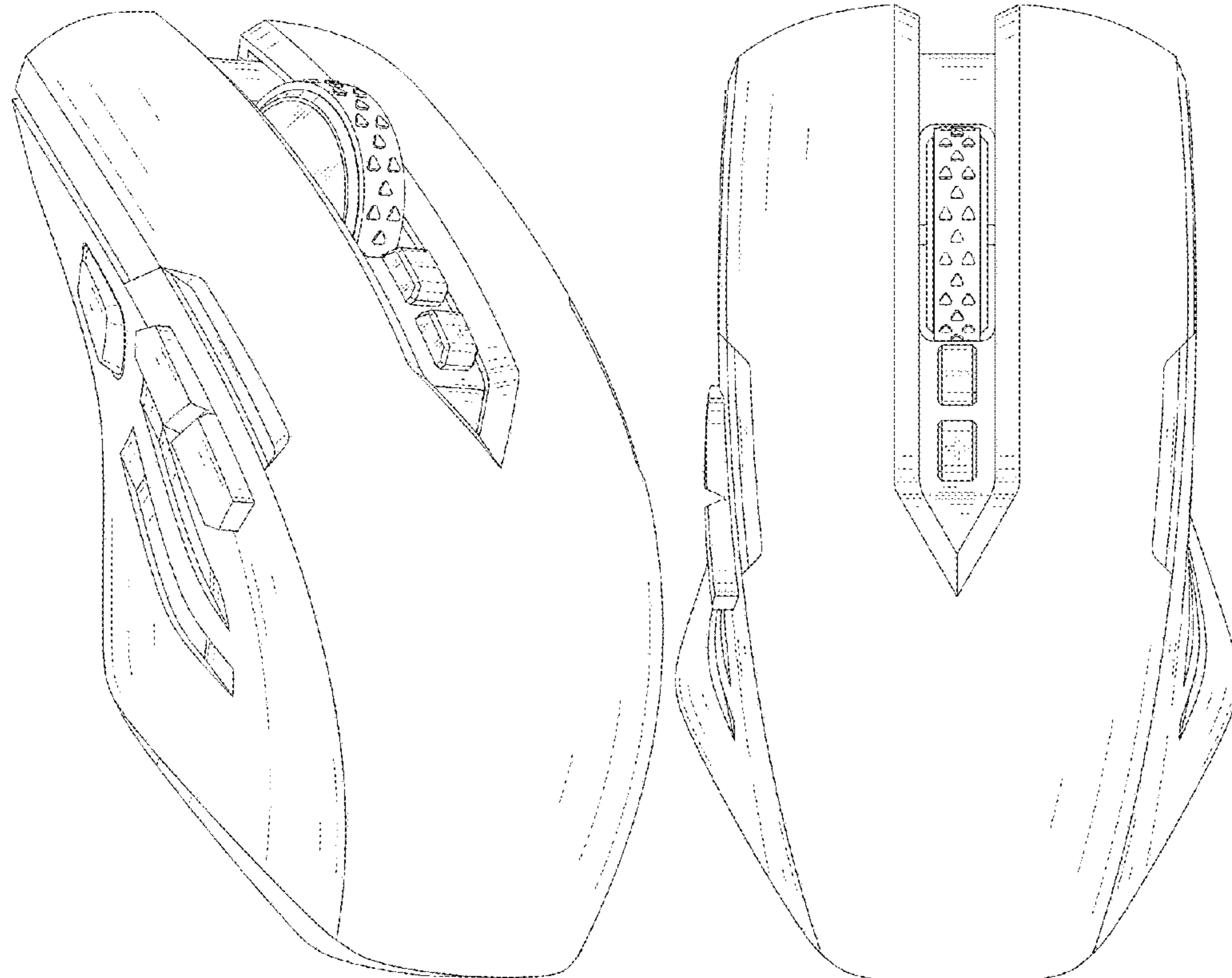
(57) **CLAIM**

The ornamental design for a mouse, as shown and described.

DESCRIPTION

FIG. 1 is a perspective view of a mouse showing my new design;
FIG. 2 is another perspective view thereof;
FIG. 3 is a front elevational view thereof;
FIG. 4 is a rear elevational view thereof;
FIG. 5 is a left side elevational view thereof;
FIG. 6 is a right side elevational view thereof;
FIG. 7 is a top plan view thereof; and,
FIG. 8 is a bottom plan view thereof.
The broken lines in the drawings depict portions of the mouse that form no part of the claimed design.

1 Claim, 8 Drawing Sheets



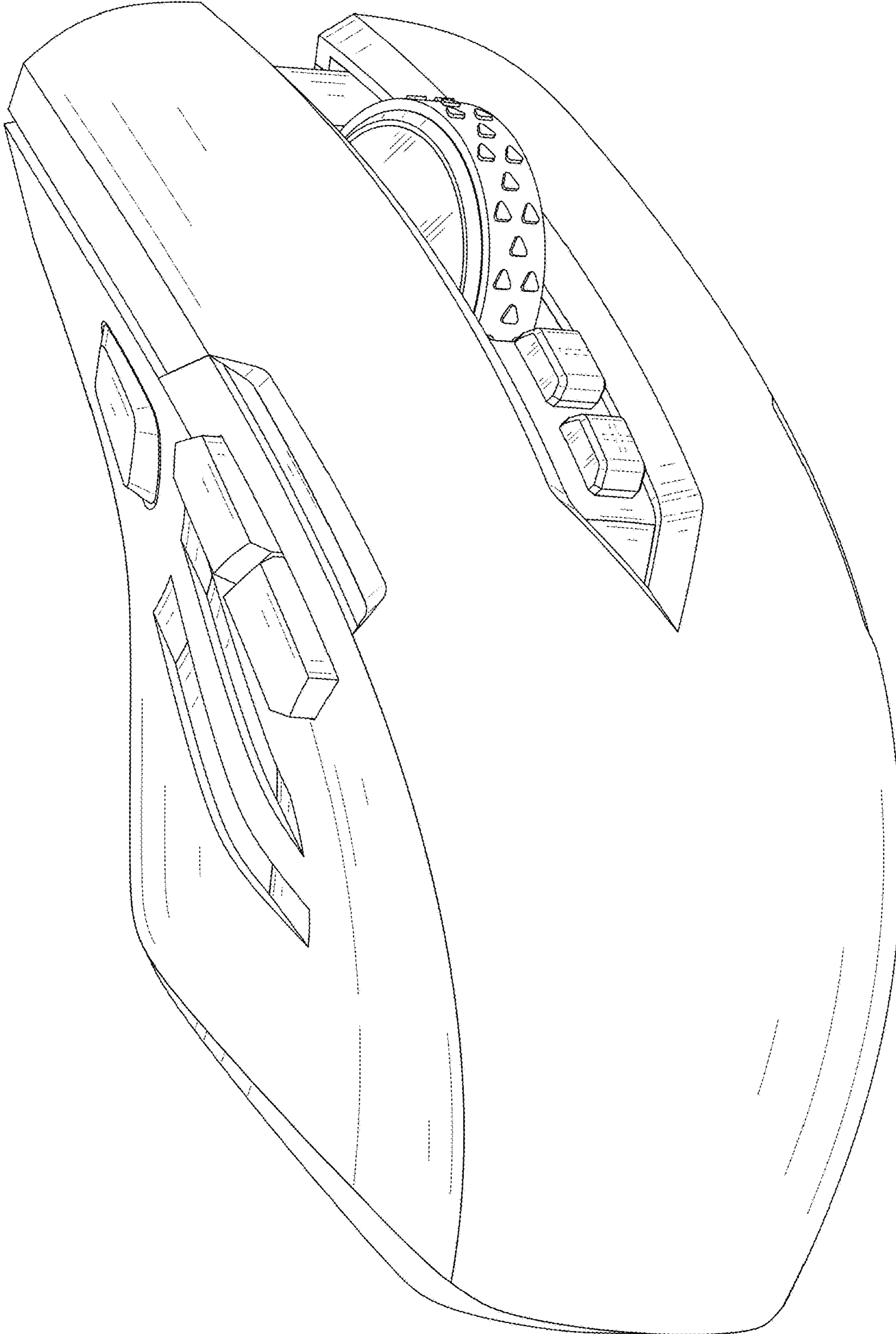


FIG. 1

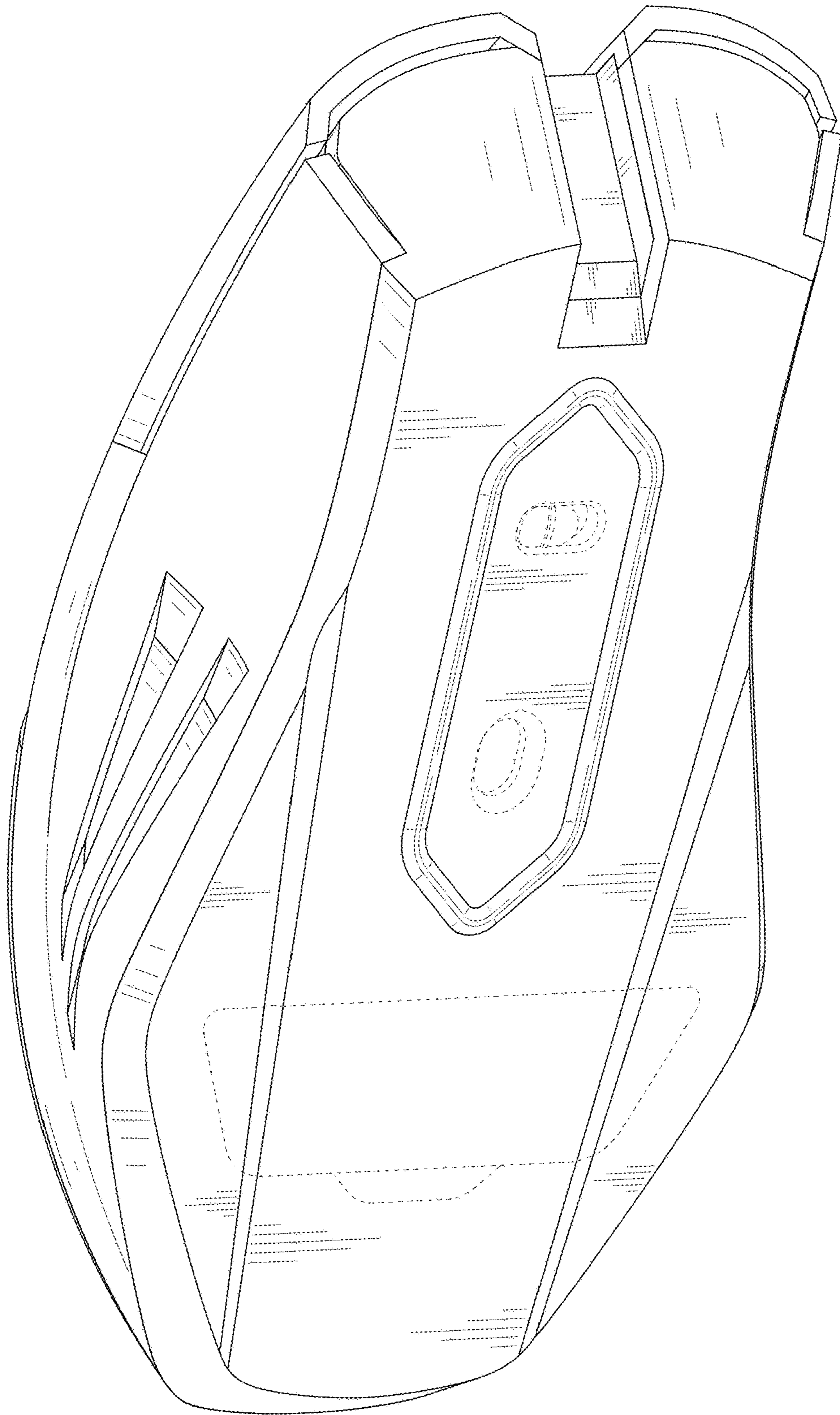


FIG. 2

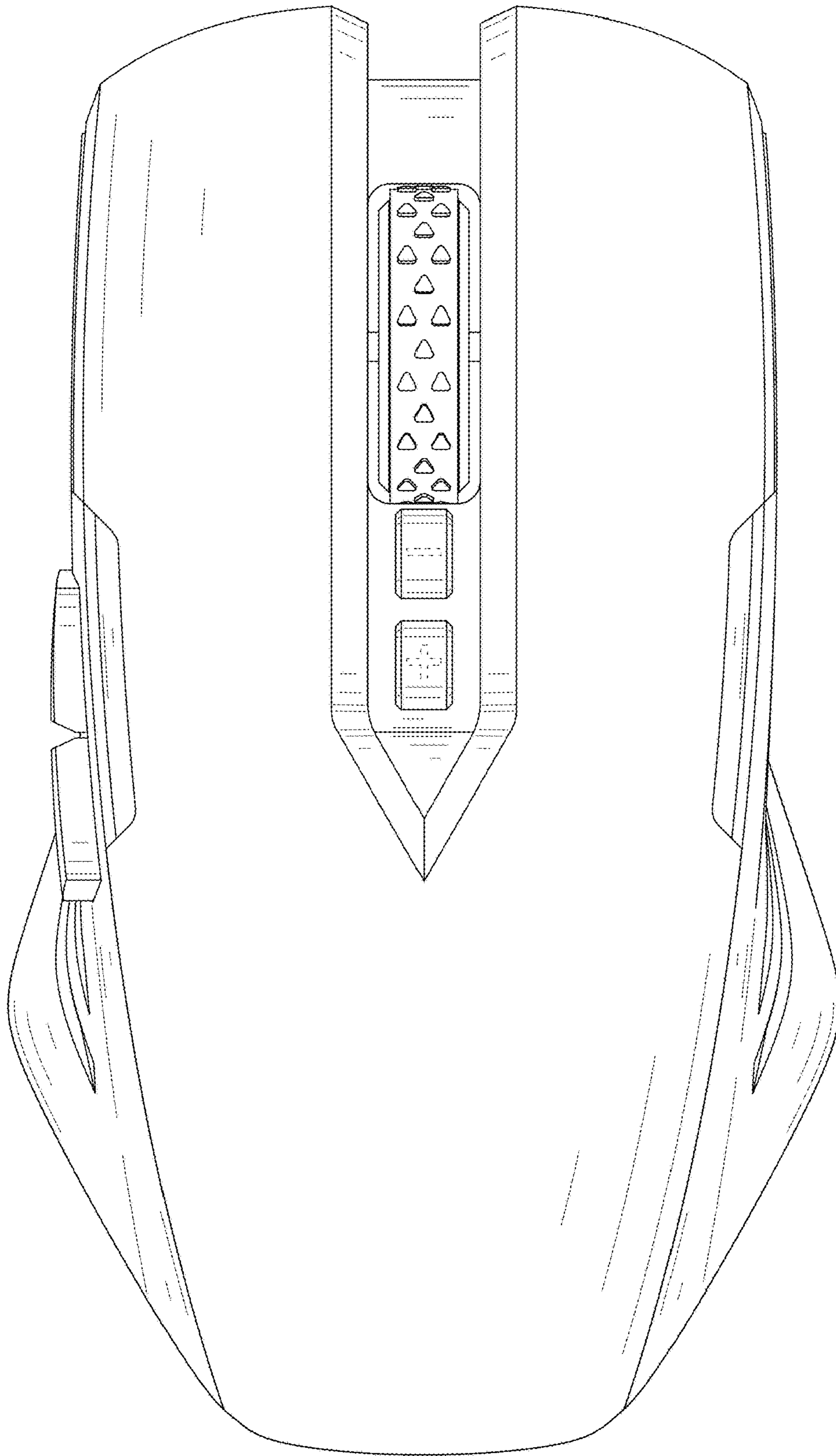


FIG. 3

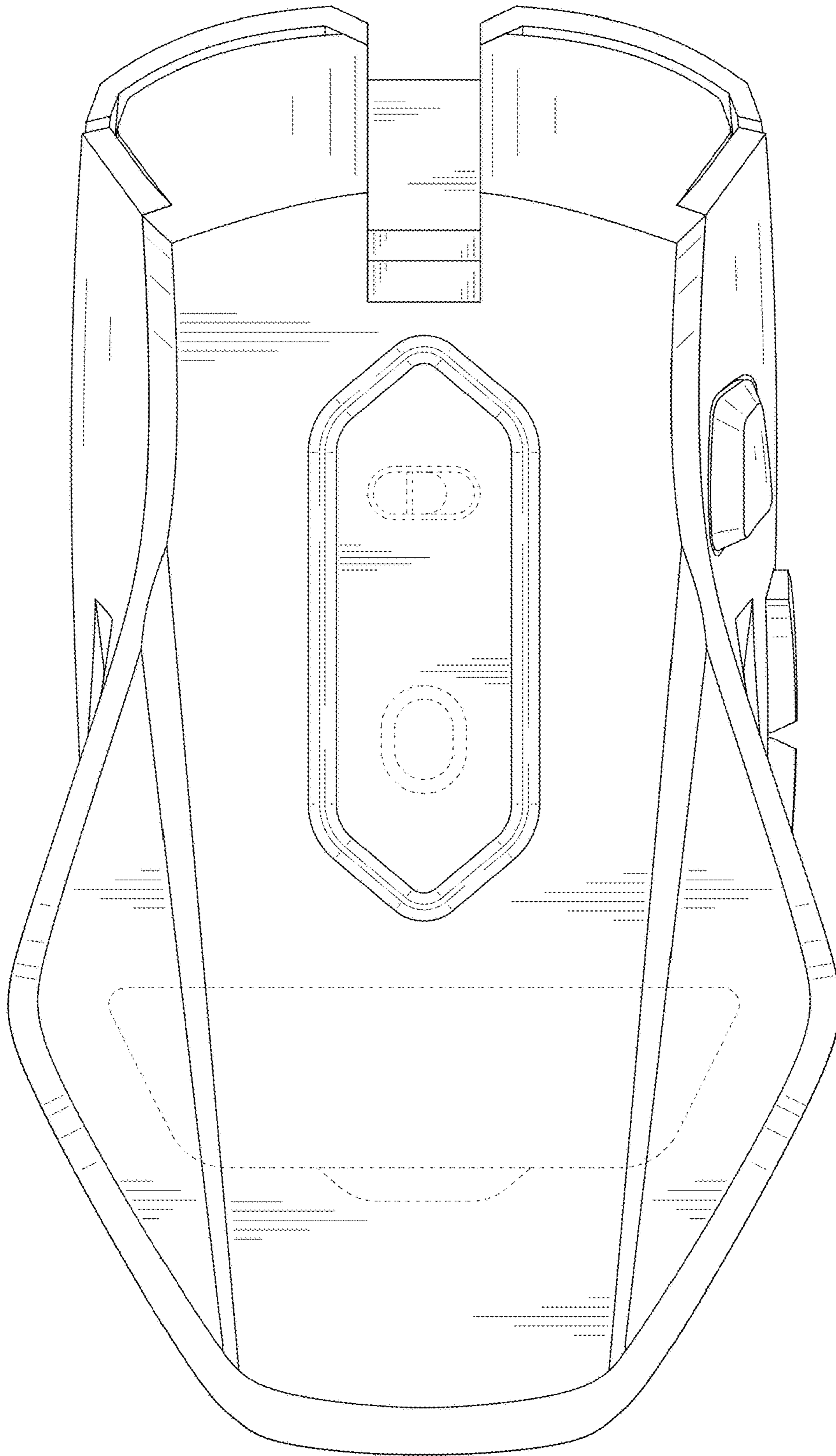


FIG. 4

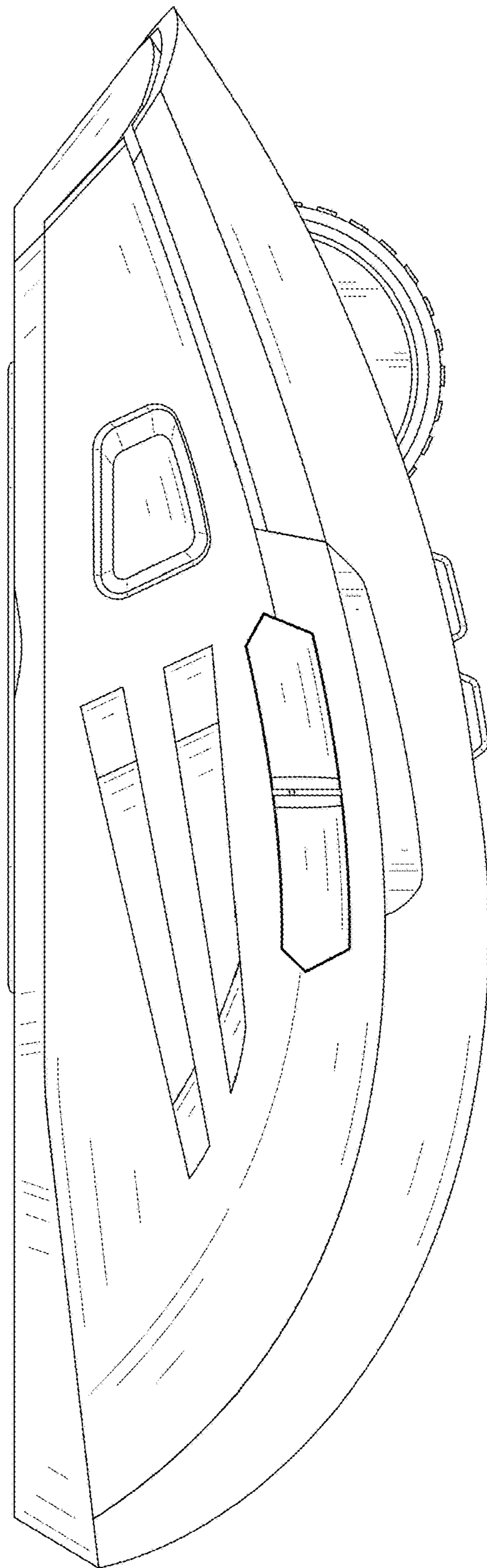


FIG. 5

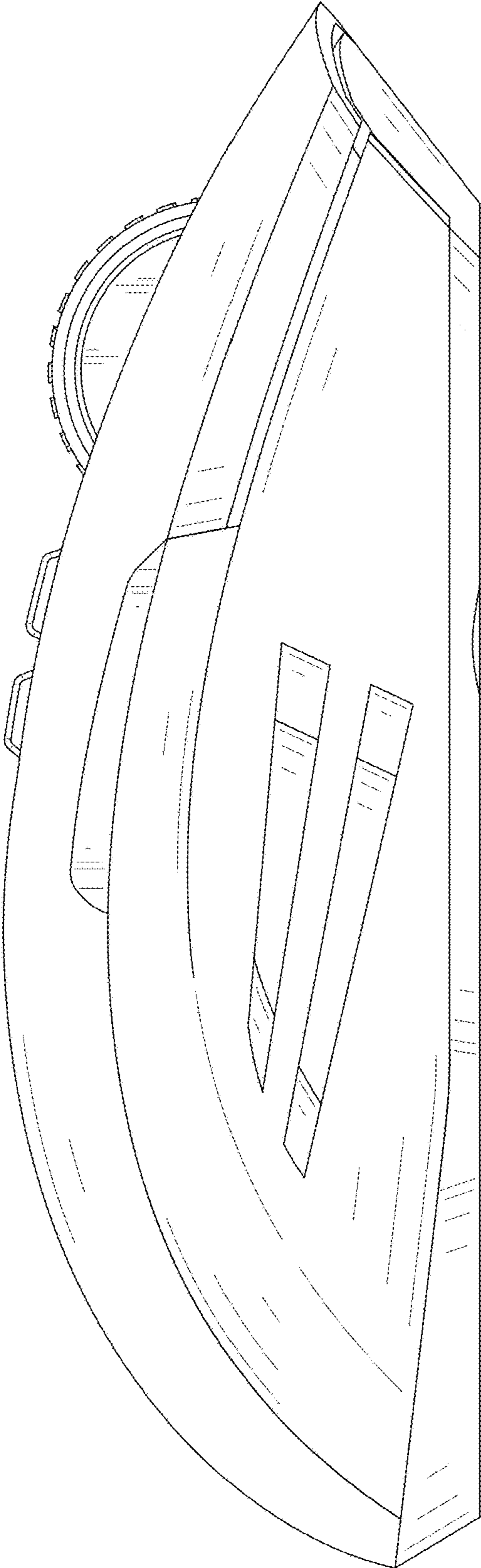


FIG. 6

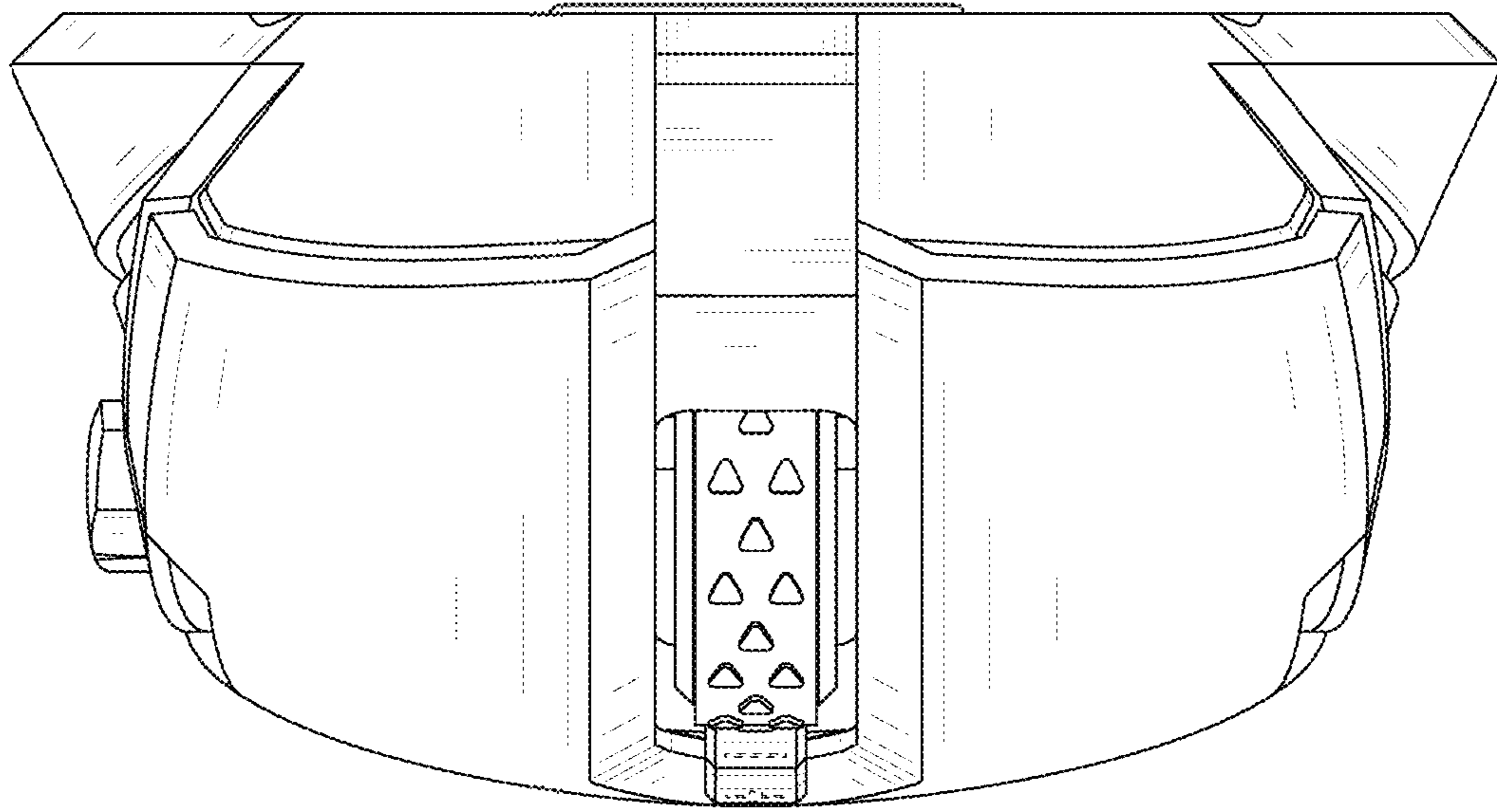


FIG. 7

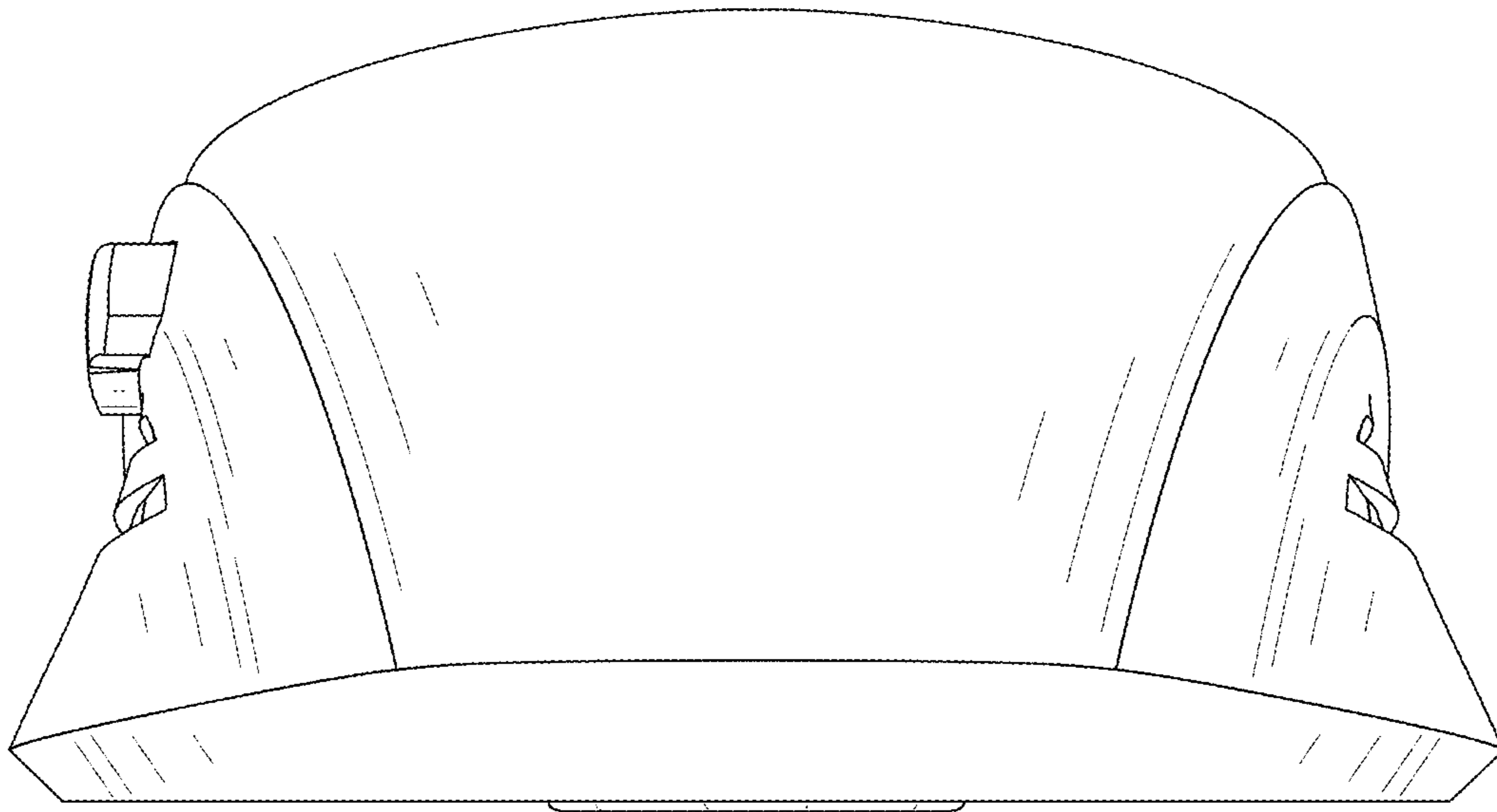


FIG. 8