



US00D943579S

(12) **United States Design Patent**  
**Wei et al.**

(10) **Patent No.:** **US D943,579 S**  
(45) **Date of Patent:** **\*\* Feb. 15, 2022**

(54) **REMOTE CONTROLLER**

- (71) Applicant: **HTC Corporation**, Taoyuan (TW)
- (72) Inventors: **Chang-Hua Wei**, Taoyuan (TW);  
**Hsiao-Ling Chan**, Taoyuan (TW);  
**Pei-Pin Huang**, Taoyuan (TW)
- (73) Assignee: **HTC CORPORATION**, Taoyuan (TW)
- (\*\*) Term: **15 Years**
- (21) Appl. No.: **29/752,002**
- (22) Filed: **Sep. 24, 2020**

**Related U.S. Application Data**

- (62) Division of application No. 29/675,215, filed on Dec. 28, 2018, now Pat. No. Des. 903,667.
- (51) **LOC (13) Cl.** ..... **14-02**
- (52) **U.S. Cl.**  
USPC ..... **D14/388**; D21/333
- (58) **Field of Classification Search**  
USPC ..... D14/400, 401, 412, 356, 358, 383, 388,  
D14/454, 203.3, 218, 426–431, 432;  
D21/333, 324, 328; D13/162, 162.1, 163,  
D13/168–172; D10/78, 103  
CPC ..... A63F 13/00; A63F 13/02; A63F 13/20;  
A63F 13/24; A63F 13/25; A63F 13/90;  
(Continued)

(56) **References Cited**

**U.S. PATENT DOCUMENTS**

- D478,330 S ‡ 8/2003 Yang ..... D14/402
  - D547,304 S ‡ 7/2007 Francz ..... D14/218
  - D749,679 S ‡ 2/2016 Bala ..... D21/333
- (Continued)

**FOREIGN PATENT DOCUMENTS**

- JP D1601621 S 4/2018
- TW D186225 S 10/2017
- TW D197484 S 5/2019

**OTHER PUBLICATIONS**

“HTC Vive Cosmos hands-on review: Flippin’ genius,” HTC VR controllers pictured therein, online, post date Sep. 12, 2019, URL: <https://www.digitaltrends.com/vr-headset-reviews/htc-vive-cosmos-review/>, retrieved Aug. 24, 2020.‡

*Primary Examiner* — Rebekah A Caruso

(74) *Attorney, Agent, or Firm* — Birch, Stewart, Kolasch & Birch, LLP

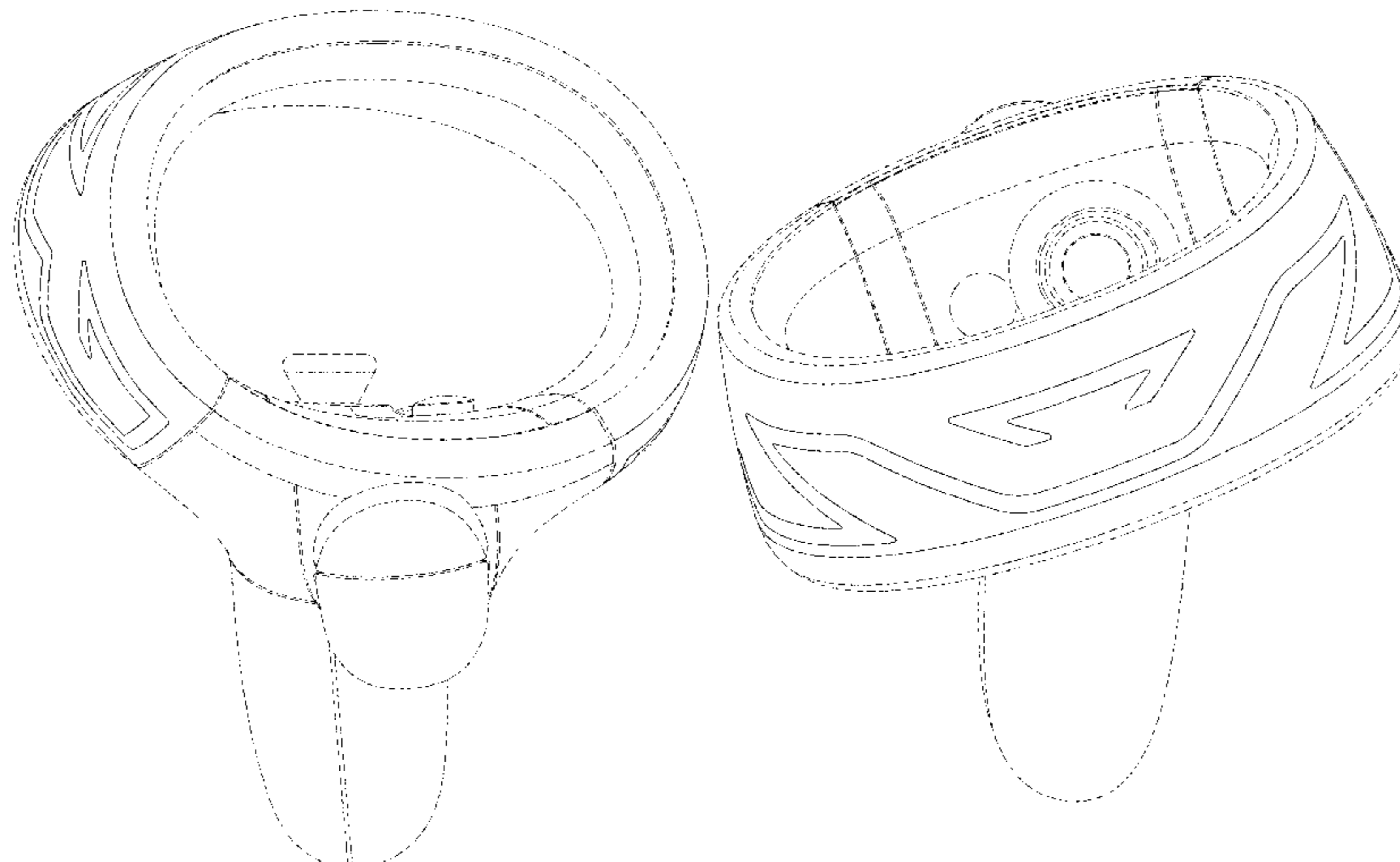
(57) **CLAIM**

The ornamental design for a remote controller, as shown and described.

**DESCRIPTION**

FIG. 1 is a front perspective view of a first embodiment of a remote controller in accordance with our new design; FIG. 2 is a rear perspective view thereof; FIG. 3 is a front view thereof; FIG. 4 is a rear view thereof; FIG. 5 is a left view thereof; FIG. 6 is a right view thereof; FIG. 7 is a top plan view thereof; FIG. 8 is a bottom plan view thereof; FIG. 9 is a front perspective view of a first embodiment of a remote controller in accordance with our new design; FIG. 10 is a rear perspective view thereof; FIG. 11 is a front view thereof; FIG. 12 is a rear view thereof; FIG. 13 is a left view thereof; FIG. 14 is a right view thereof; FIG. 15 is a top plan view thereof; and, FIG. 16 is a bottom plan view thereof. The broken lines in the drawings depict portions of the remote controller that form no part of the claim.

**1 Claim, 16 Drawing Sheets**



(58) **Field of Classification Search**  
 CPC ..... A63F 13/98; G06F 3/014; G06F 3/017;  
 G05G 9/047  
 See application file for complete search history.

(56) **References Cited**

U.S. PATENT DOCUMENTS

D772,986 S † 11/2016 Chen ..... D21/333  
 D780,807 S † 3/2017 Chen ..... D14/496  
 D795,959 S \* 8/2017 Chen ..... D21/333  
 D802,055 S \* 11/2017 Chen ..... D21/333  
 D815,210 S † 4/2018 Chen ..... D21/333  
 D817,300 S † 5/2018 Bristol ..... D14/203.3  
 D819,638 S † 6/2018 Lo ..... D14/388  
 D835,104 S † 12/2018 Chen ..... D14/401  
 D844,609 S † 4/2019 Bristol ..... D14/388  
 10,409,392 B1 † 9/2019 Allin ..... G06F 3/04847  
 10,447,265 B1 † 10/2019 Tompkins ..... H03K 17/962  
 10,459,544 B2 † 10/2019 Chiu ..... H03K 17/962  
 D866,554 S † 11/2019 Lo ..... D14/388

10,561,936 B1 † 2/2020 Chen ..... A63F 13/24  
 D883,283 S † 5/2020 Chen ..... D14/388  
 D885,386 S † 5/2020 Wei ..... D14/388  
 D888,056 S † 6/2020 Wei ..... D14/388  
 D891,430 S † 7/2020 Lee ..... D14/400  
 D891,772 S † 8/2020 Liang ..... D3/269  
 D898,027 S \* 10/2020 Lo ..... D14/388  
 D903,667 S \* 12/2020 Wei ..... D14/388  
 D904,519 S \* 12/2020 Adams ..... D21/333  
 D905,164 S \* 12/2020 Adams ..... D21/333  
 D905,165 S \* 12/2020 Adams ..... D21/333  
 D931,375 S \* 9/2021 Meng ..... D21/333  
 2016/0357249 A1 † 12/2016 Webb ..... G06F 3/017  
 2017/0128828 A1 † 5/2017 Long ..... A63F 13/235  
 2017/0189798 A1 \* 7/2017 Rogoza ..... G06F 3/02  
 2018/0296913 A1 \* 10/2018 Chen ..... G06F 3/03547  
 2018/0311575 A1 † 11/2018 Bristol ..... A63F 13/25  
 2020/0001172 A1 † 1/2020 Nicoli ..... G06F 3/0308  
 2020/0089334 A1 † 3/2020 Tompkins ..... G05G 9/047  
 2020/0147485 A1 † 5/2020 Lin ..... A63F 13/24

\* cited by examiner

† imported from a related application

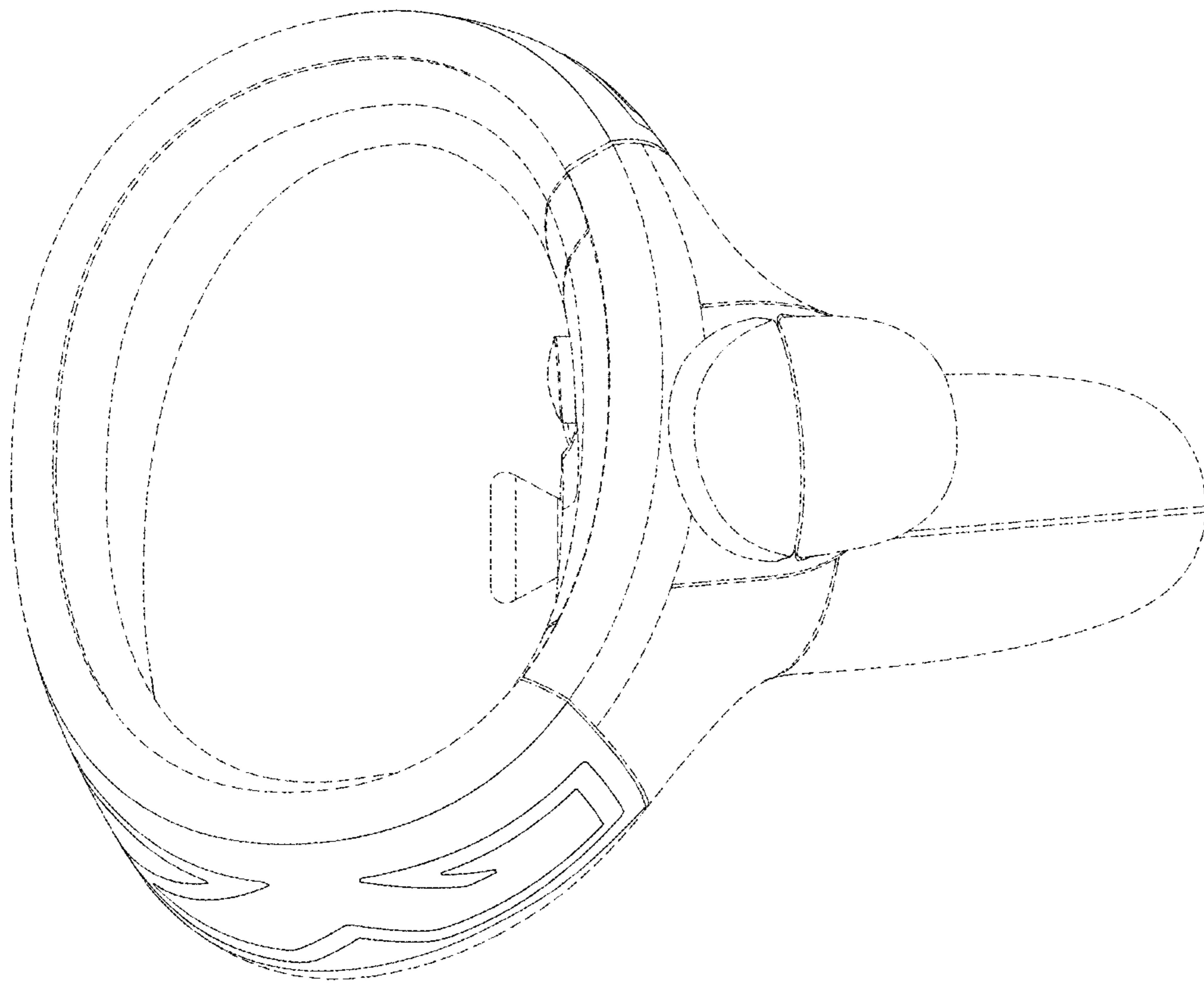


FIG. 1

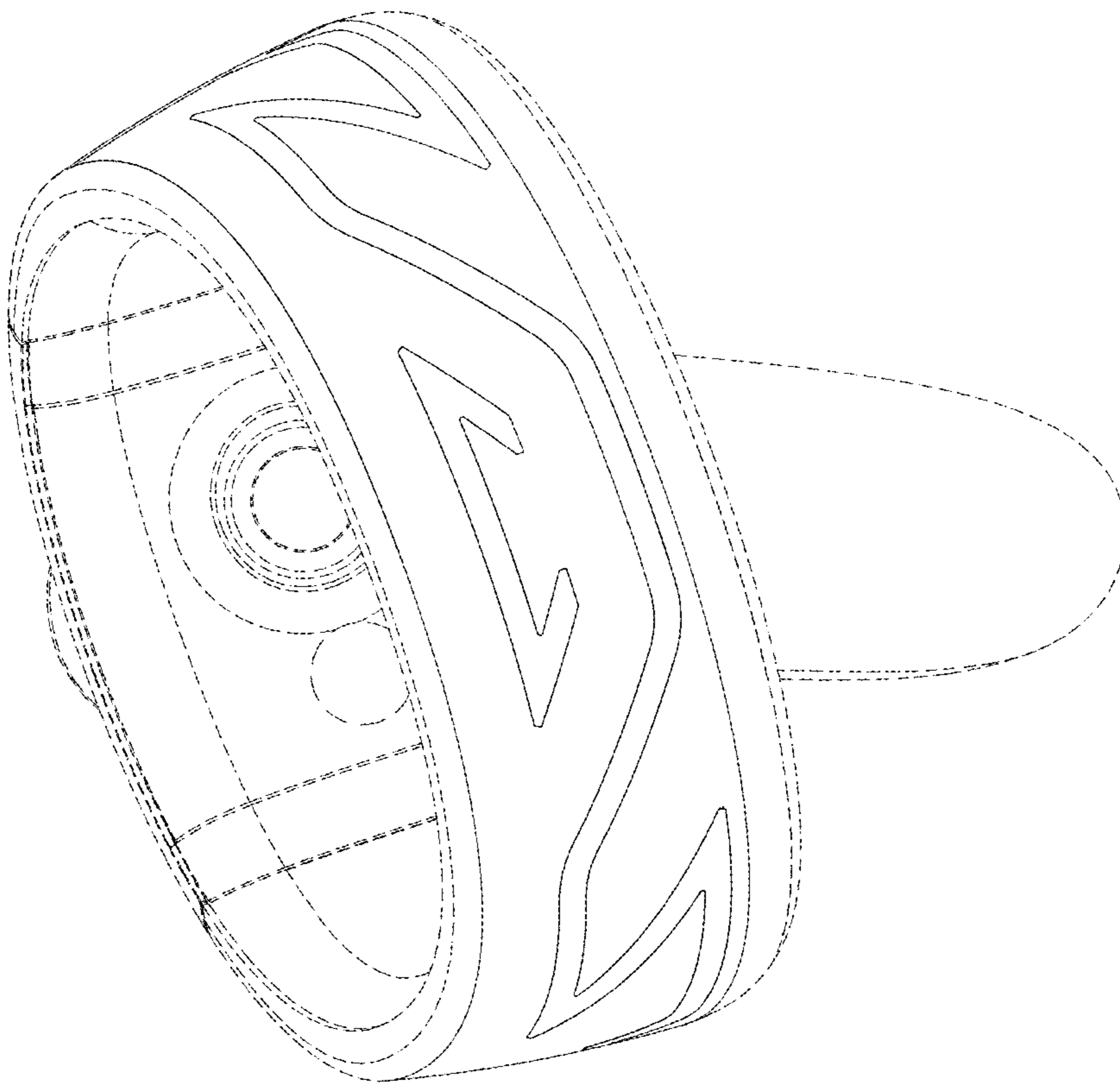


FIG. 2

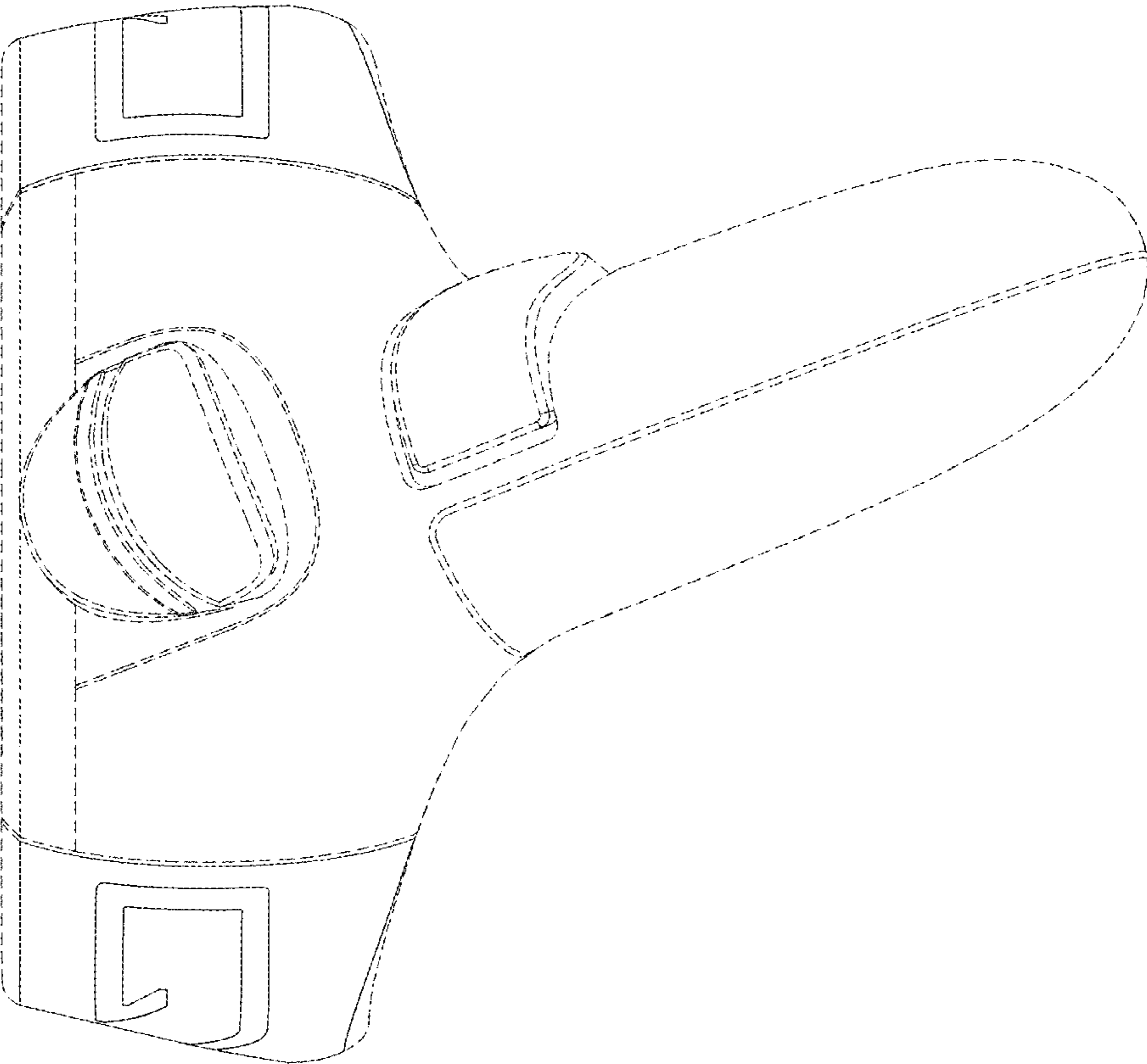


FIG. 3

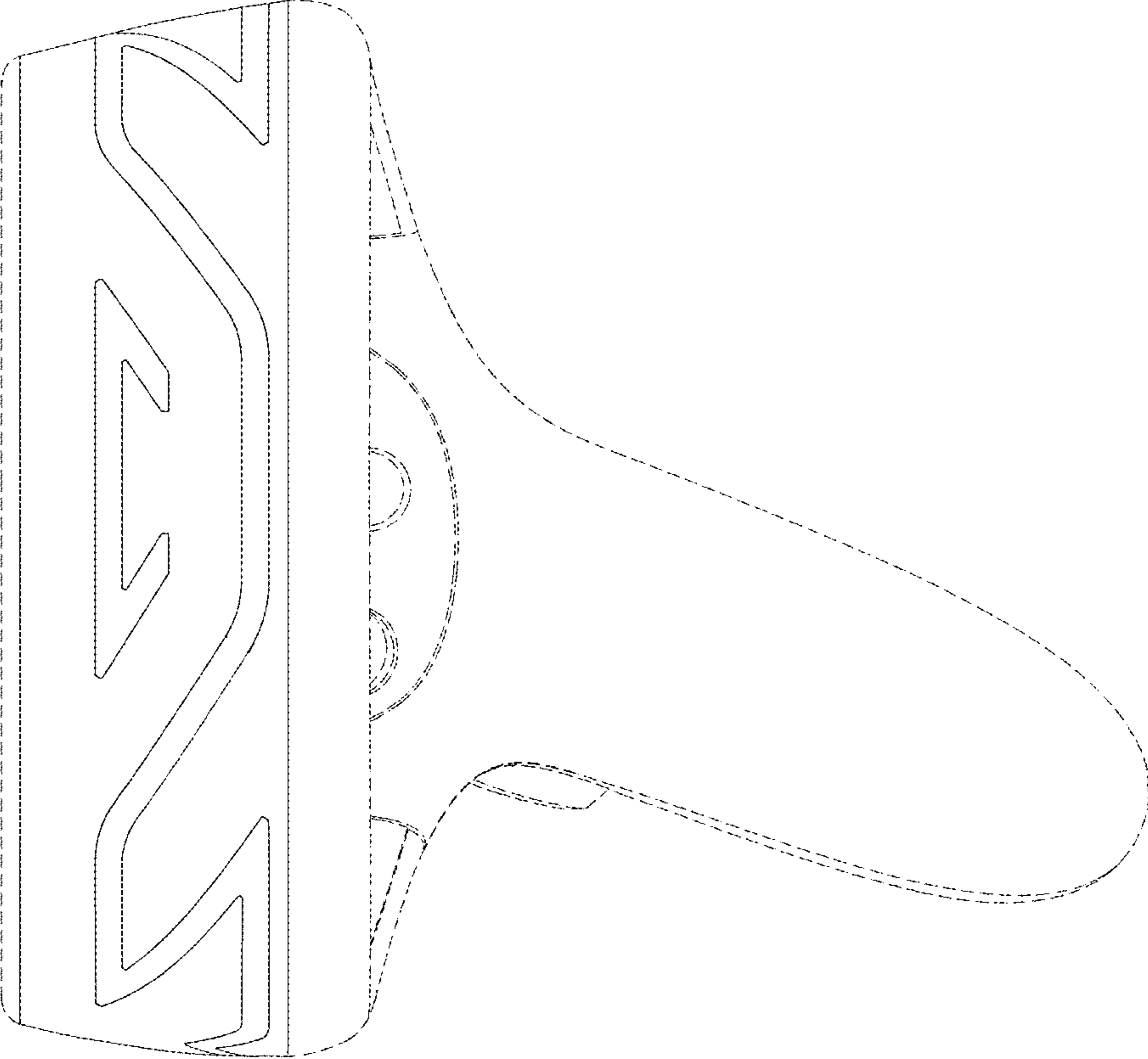


FIG. 4

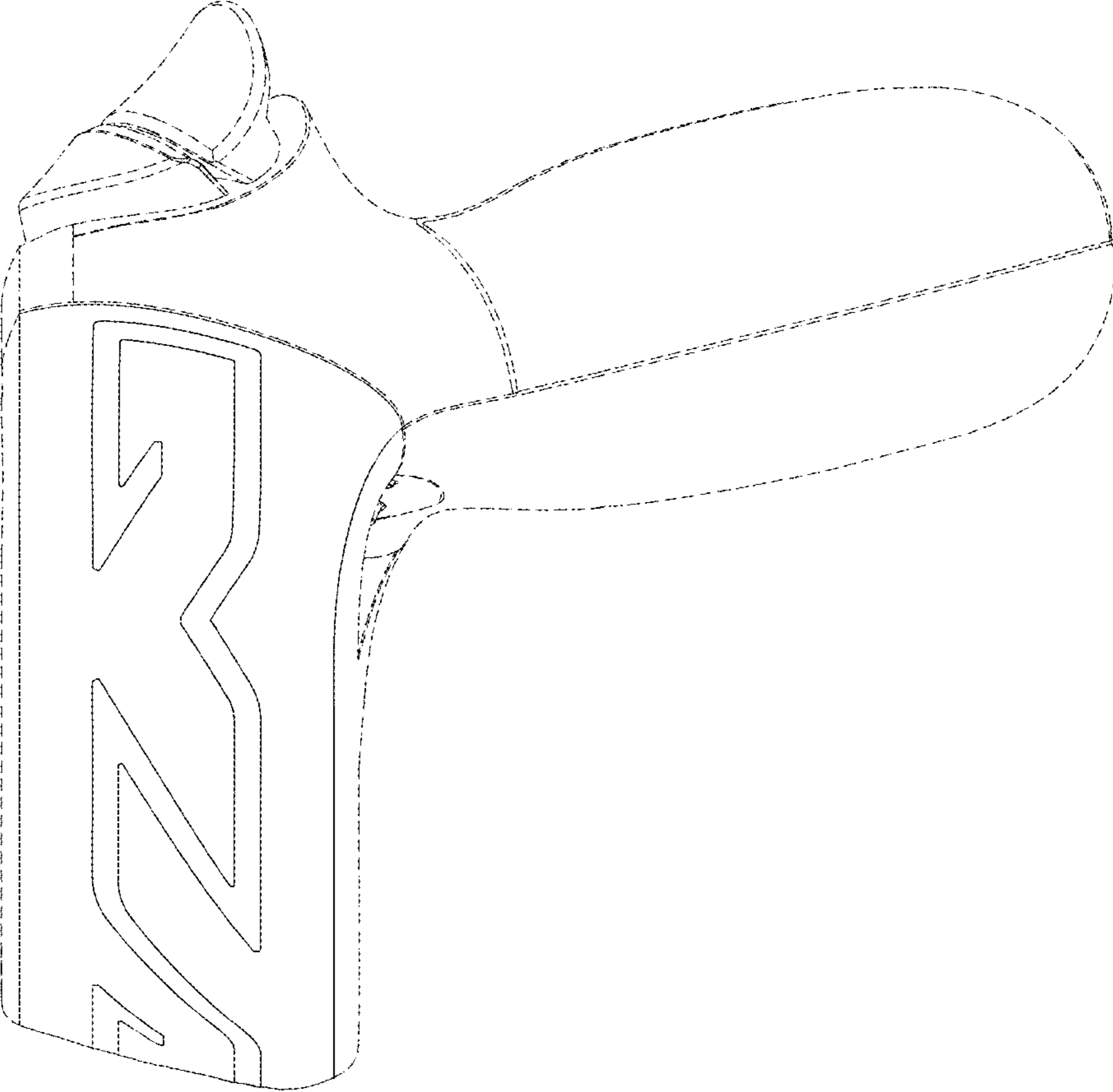


FIG. 5

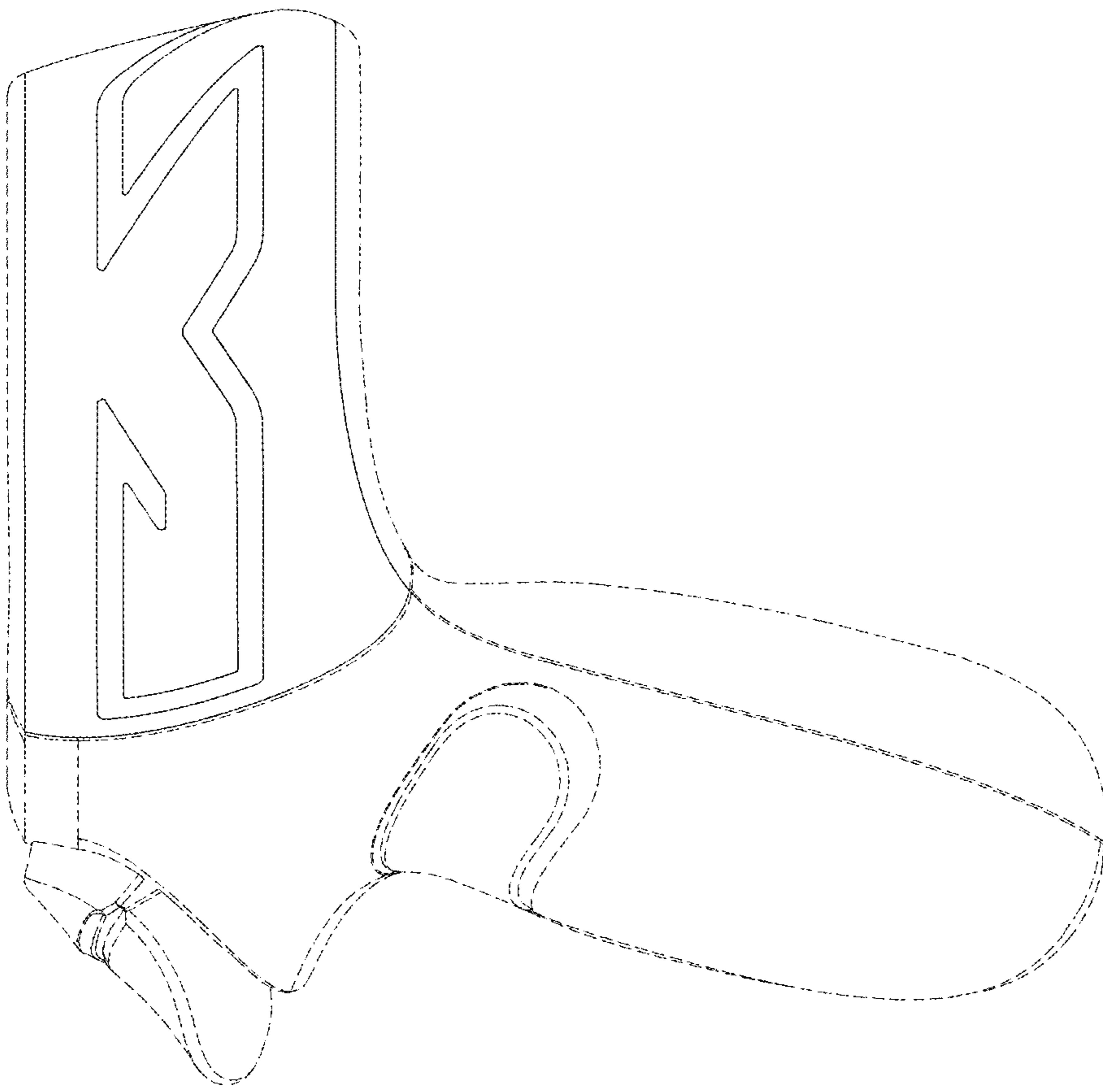


FIG. 6



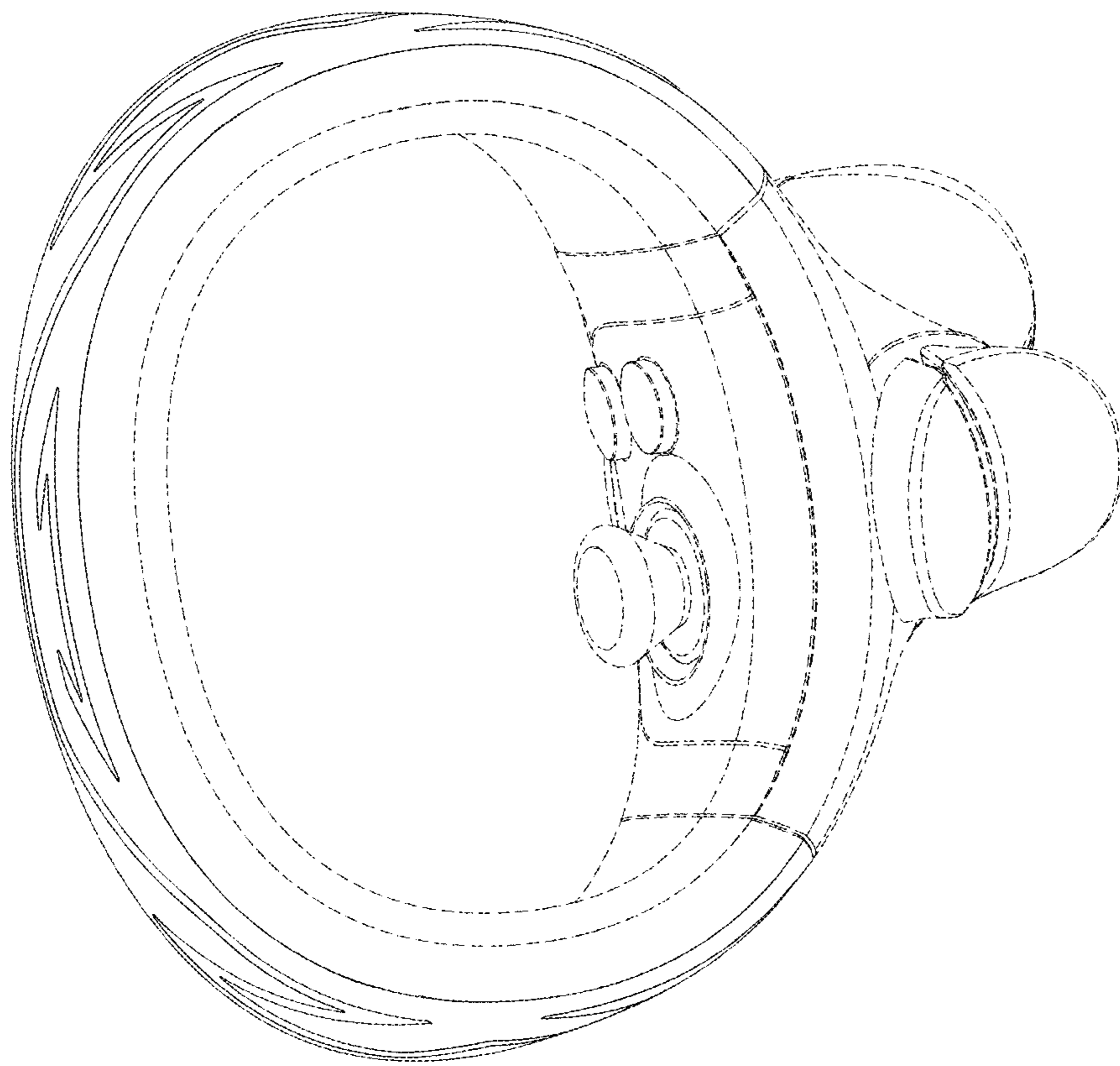


FIG. 7

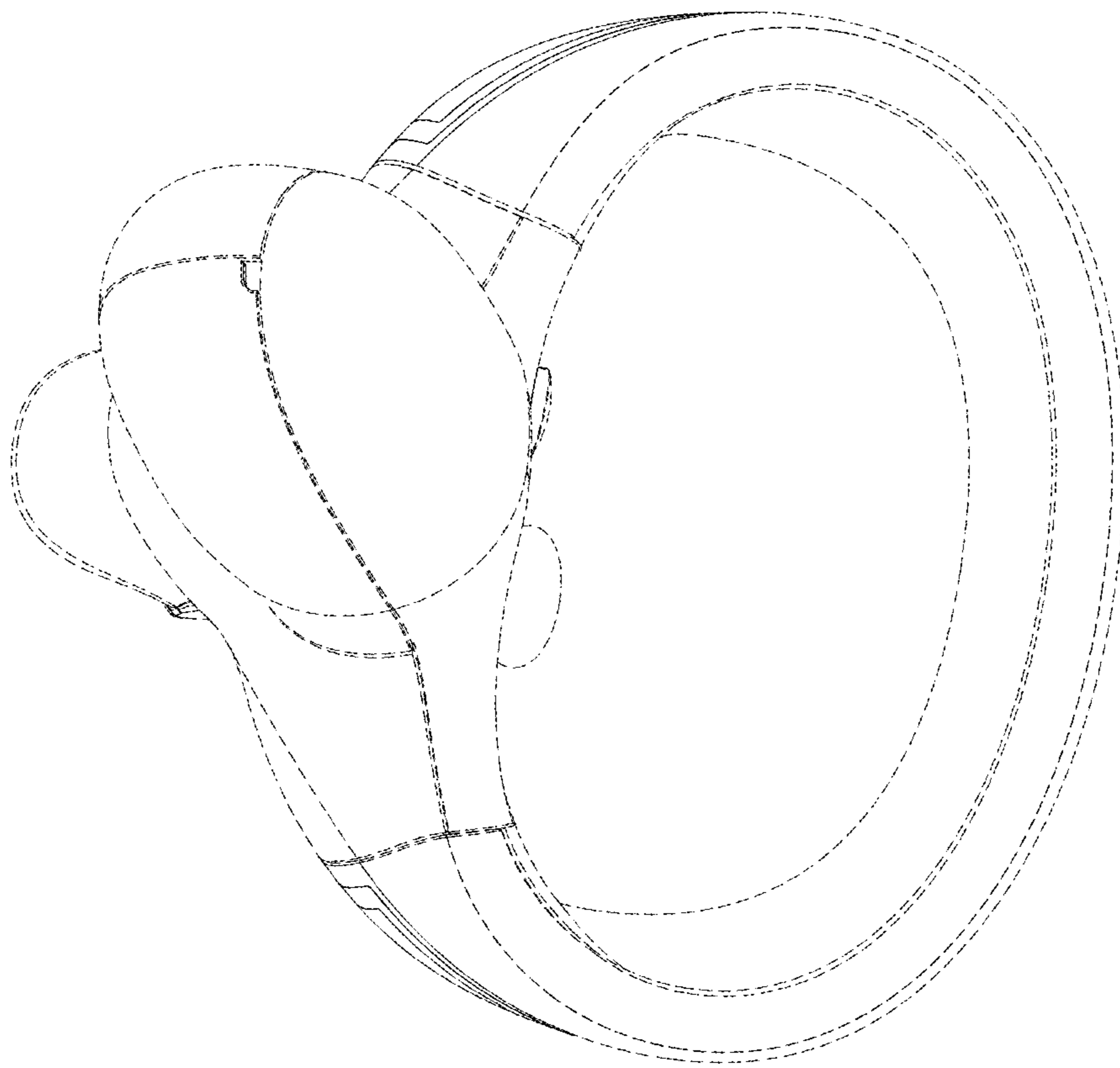


FIG. 8

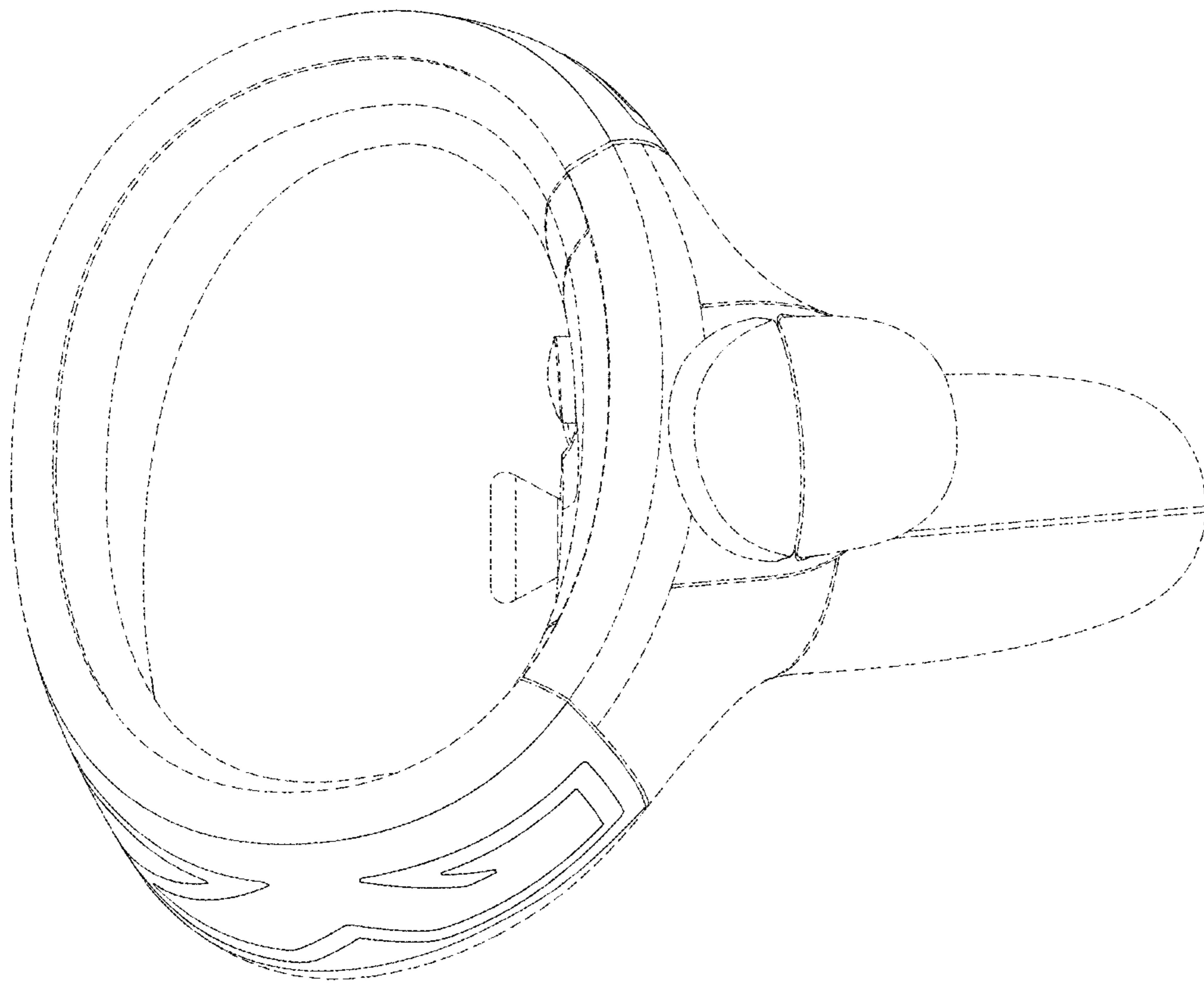


FIG. 9

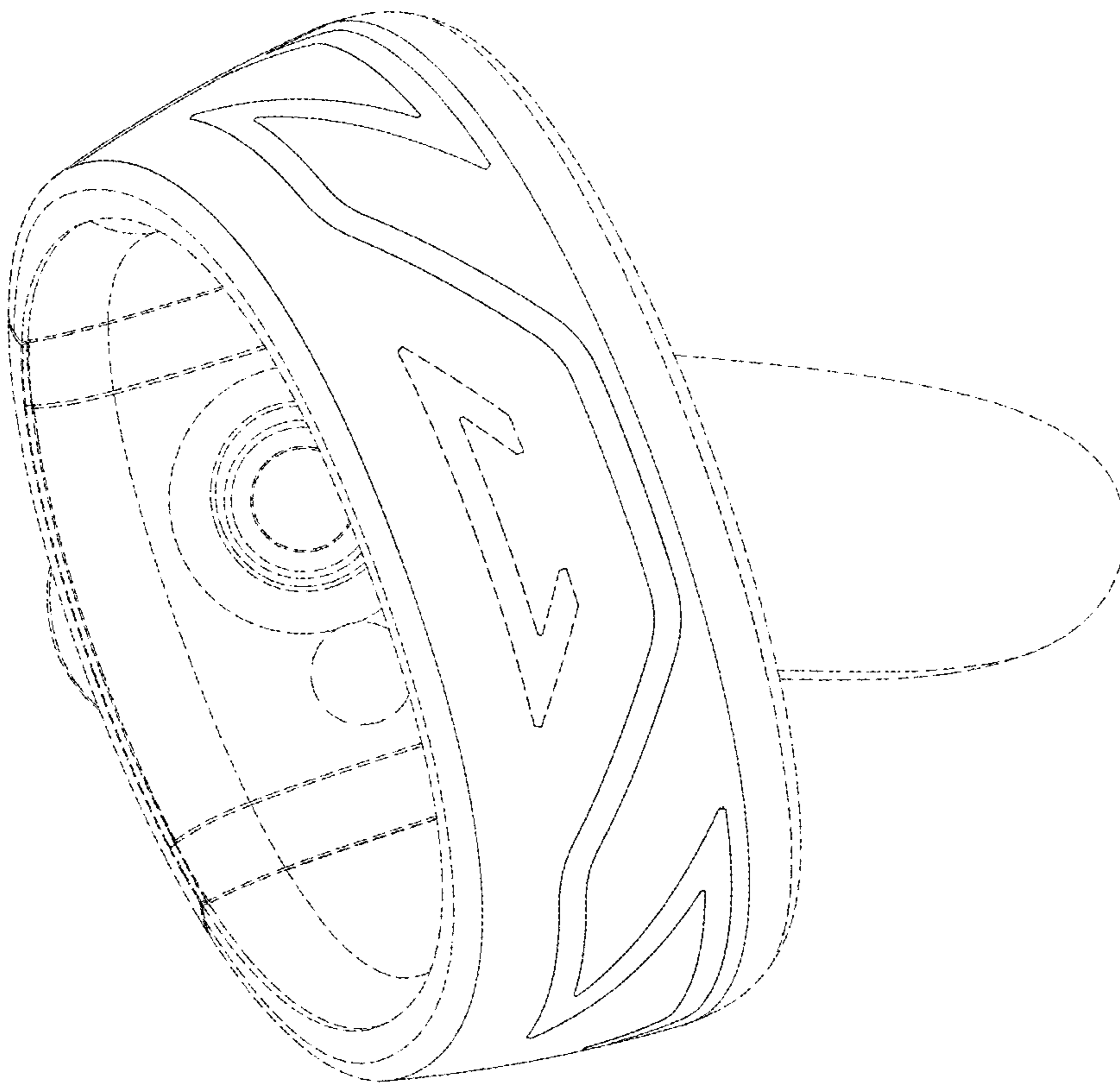


FIG. 10

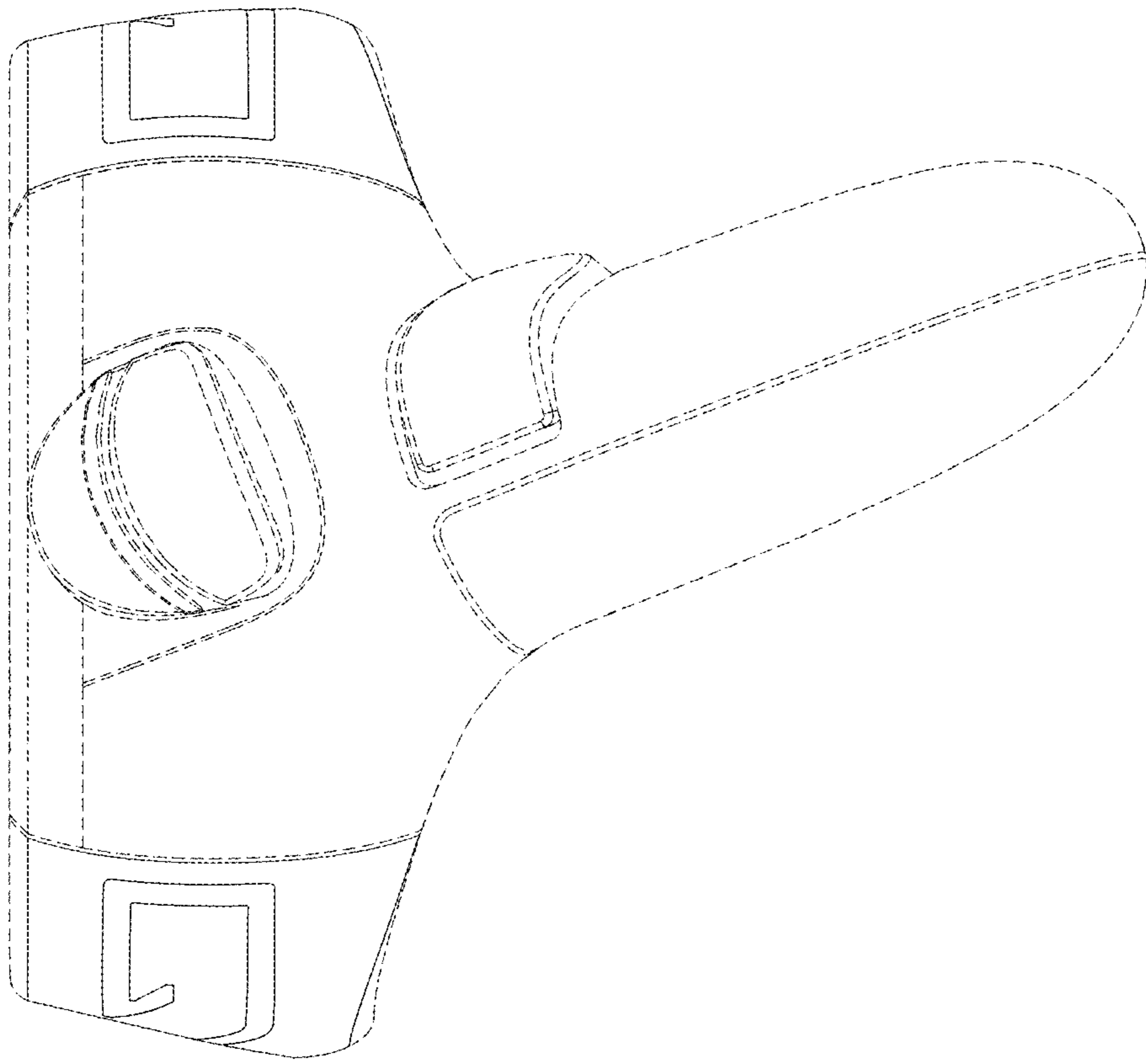


FIG. 11

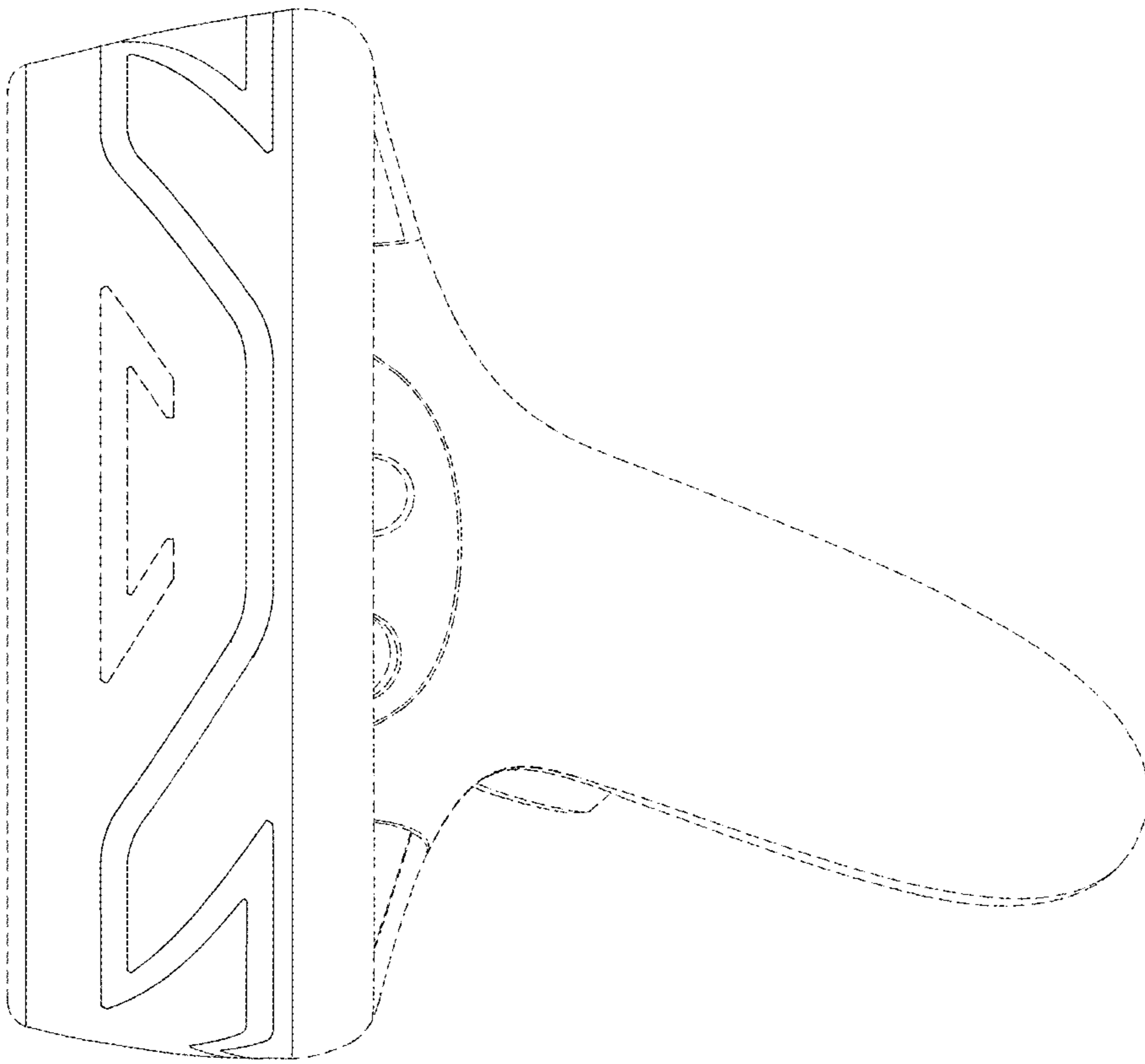


FIG. 12

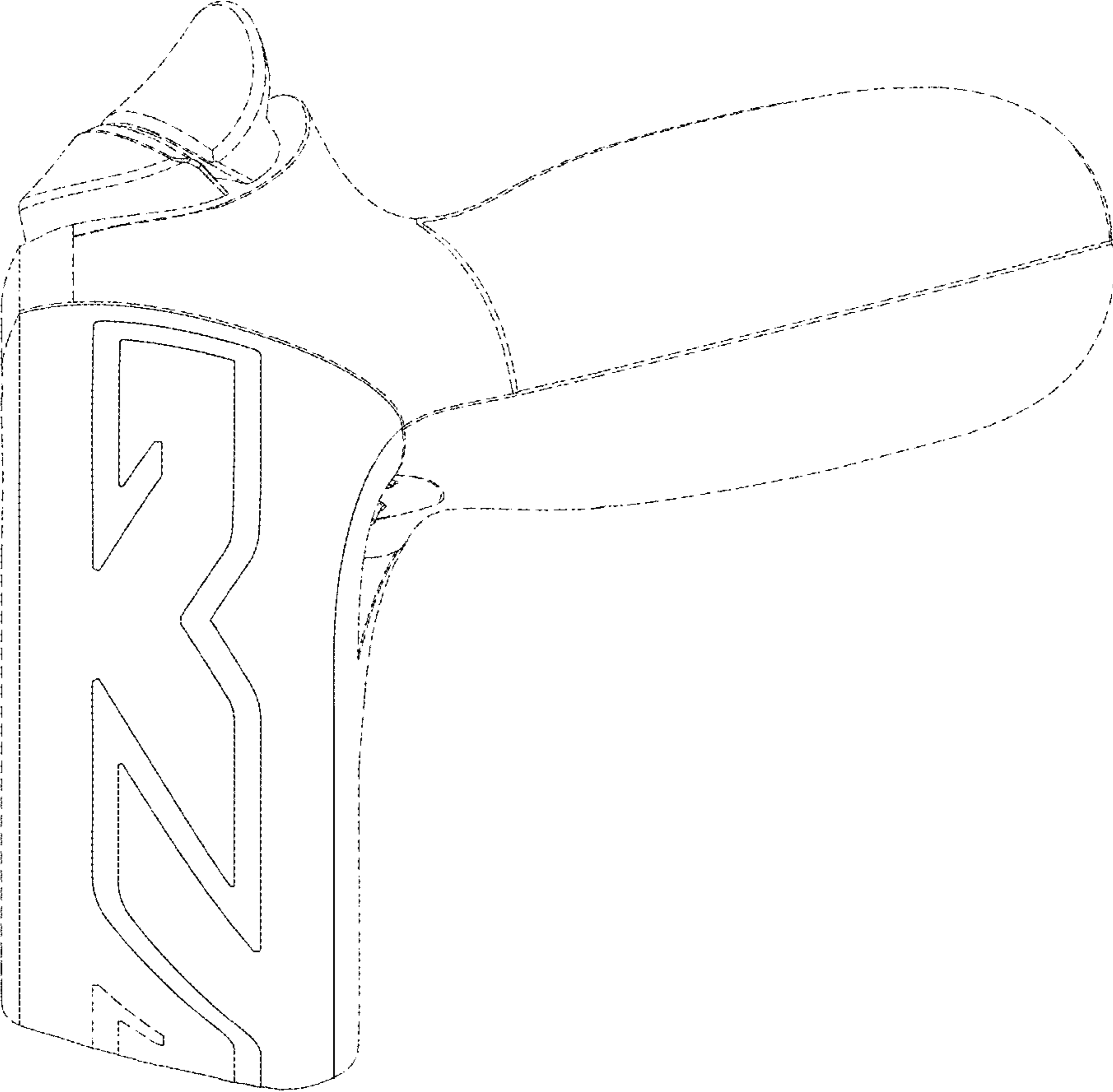


FIG. 13

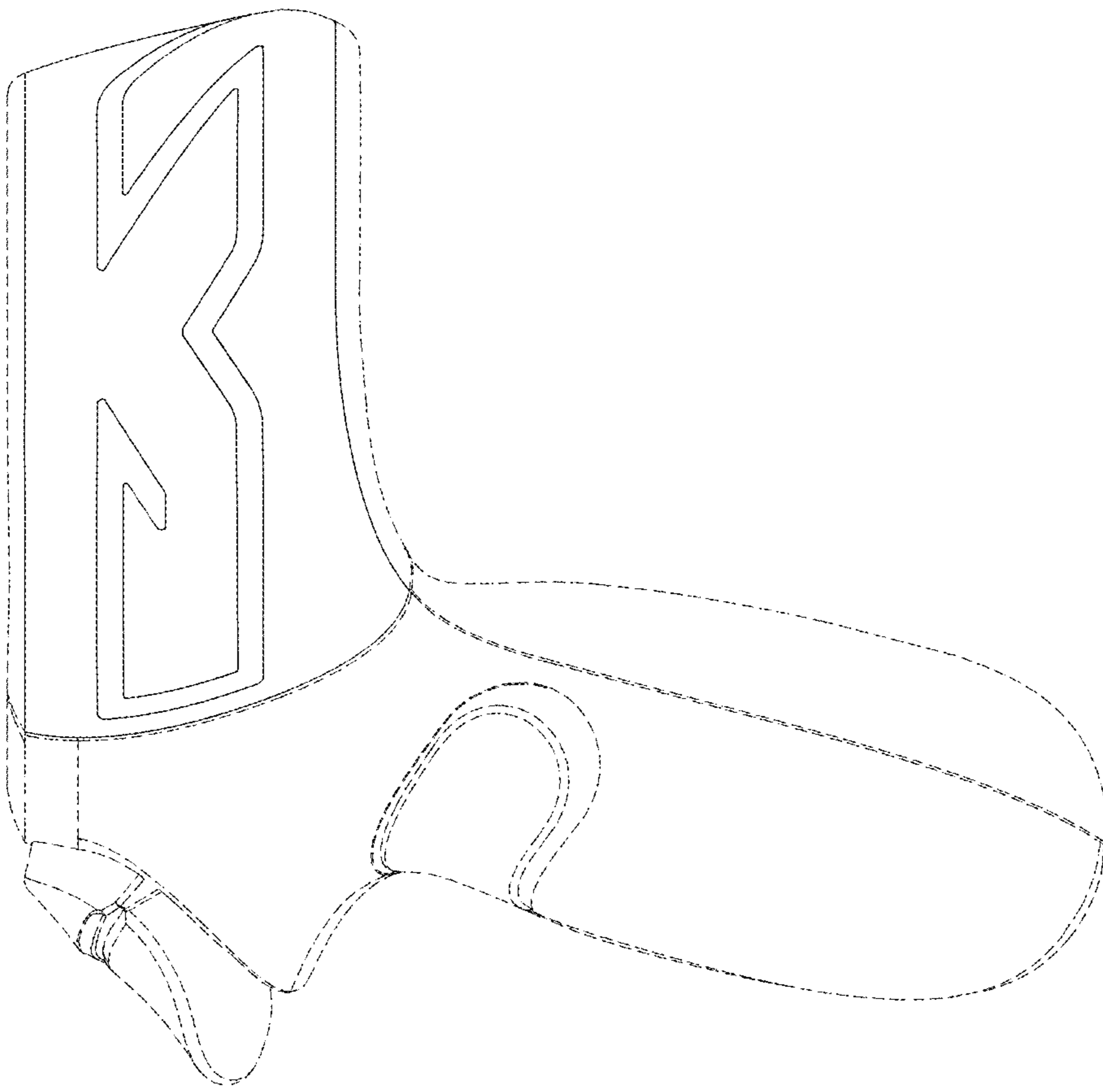


FIG. 14



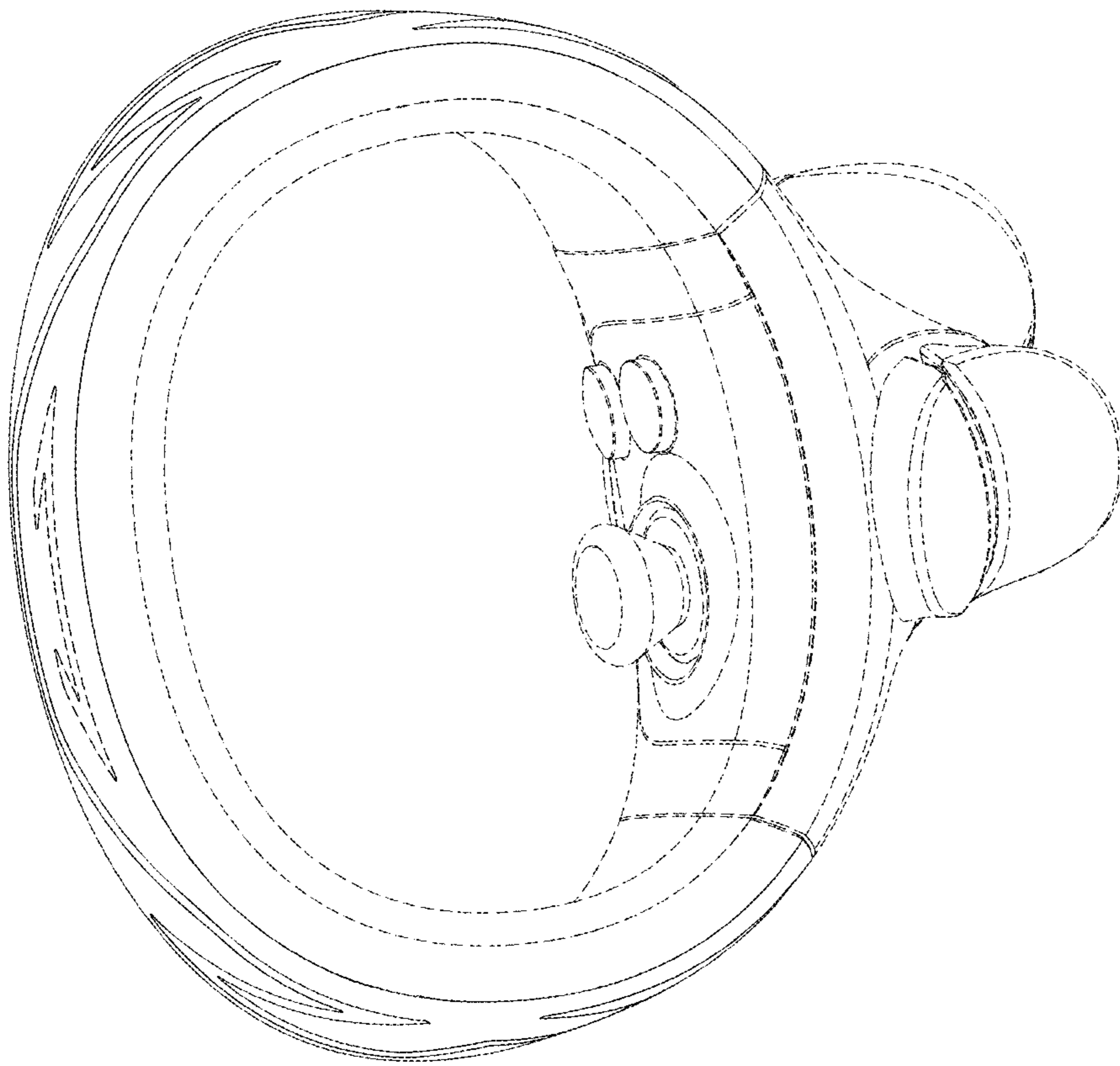


FIG. 15

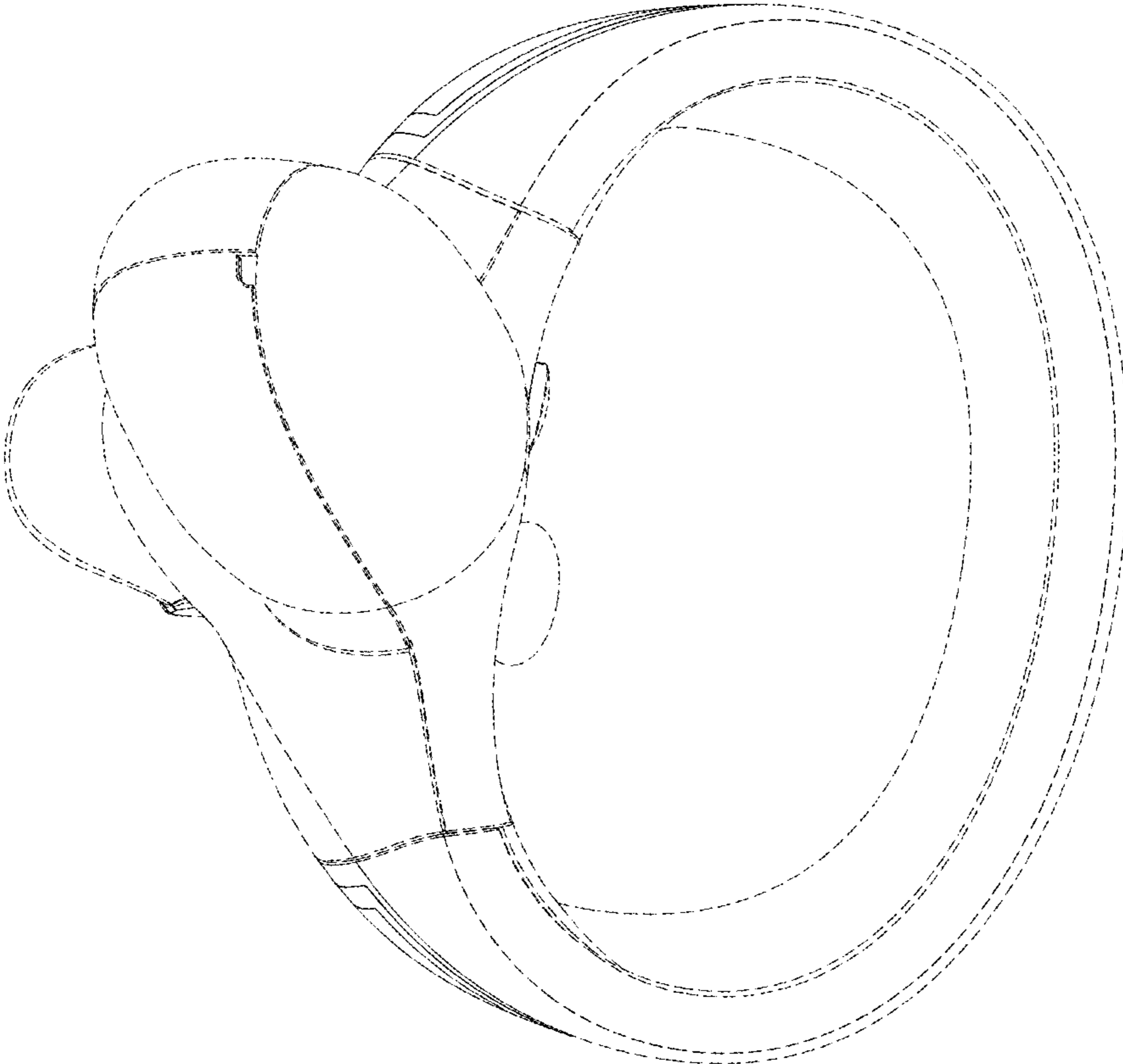


FIG. 16