



US00D943578S

(12) **United States Design Patent**
Kang et al.

(10) **Patent No.:** **US D943,578 S**

(45) **Date of Patent:** **** Feb. 15, 2022**

(54) **MONITOR FOR COMPUTER**

CPC G06F 1/16; G06F 1/1601; G06F 1/1637;
H04N 5/64; H05K 5/0204; H05K 5/0004;
H05K 5/0017; H05K 5/0217

(71) Applicant: **LG ELECTRONICS INC.**, Seoul
(KR)

See application file for complete search history.

(72) Inventors: **Seokkyu Kang**, Seoul (KR); **Yongsoo Kim**, Seoul (KR); **Yeonjin Kim**, Seoul (KR); **Daihyung Ryu**, Seoul (KR)

(56) **References Cited**

U.S. PATENT DOCUMENTS

(73) Assignee: **LG ELECTRONICS INC.**, Seoul
(KR)

D710,357 S *	8/2014	Quijano	D14/374
D858,473 S *	9/2019	Lee	D14/126
D859,337 S *	9/2019	Lee	D14/126
D912,668 S *	3/2021	Kang	D14/375
D918,908 S *	5/2021	Kang	D14/375
D924,233 S *	7/2021	Kang	D14/371

(**) Term: **15 Years**

* cited by examiner

(21) Appl. No.: **35/510,582**

Primary Examiner — Keli L Hill

(22) Filed: **Apr. 10, 2020**

(74) *Attorney, Agent, or Firm* — Birch, Stewart, Kolasch & Birch, LLP

(80) **Hague Agreement Data**

Int. Filing Date: **Apr. 10, 2020**

Int. Reg. No.: **DM/207591**

Int. Reg. Date: **Apr. 10, 2020**

Int. Reg. Pub. Date: **Oct. 16, 2020**

(57) **CLAIM**

The ornamental design for a monitor for computer, as shown and described.

(30) **Foreign Application Priority Data**

Oct. 21, 2019 (KR) 30-2019-0049777

(51) **LOC (13) Cl.** **14-02**

(52) **U.S. Cl.**
USPC **D14/375; D14/379**

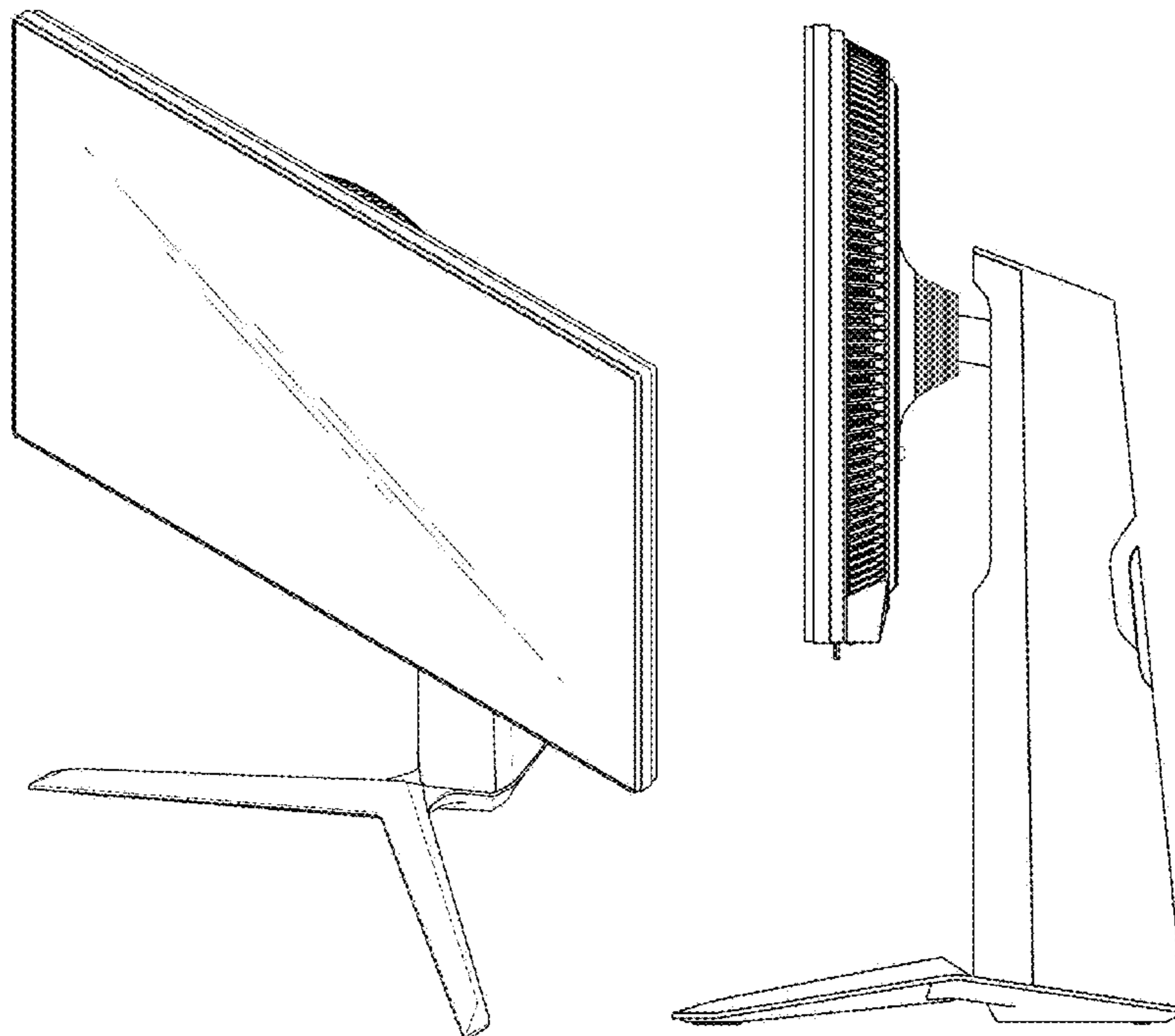
(58) **Field of Classification Search**
USPC D14/126, 239, 336, 371-382, 448, 450,
D14/451; D21/329, 332, 515; D6/310,
D6/312

DESCRIPTION

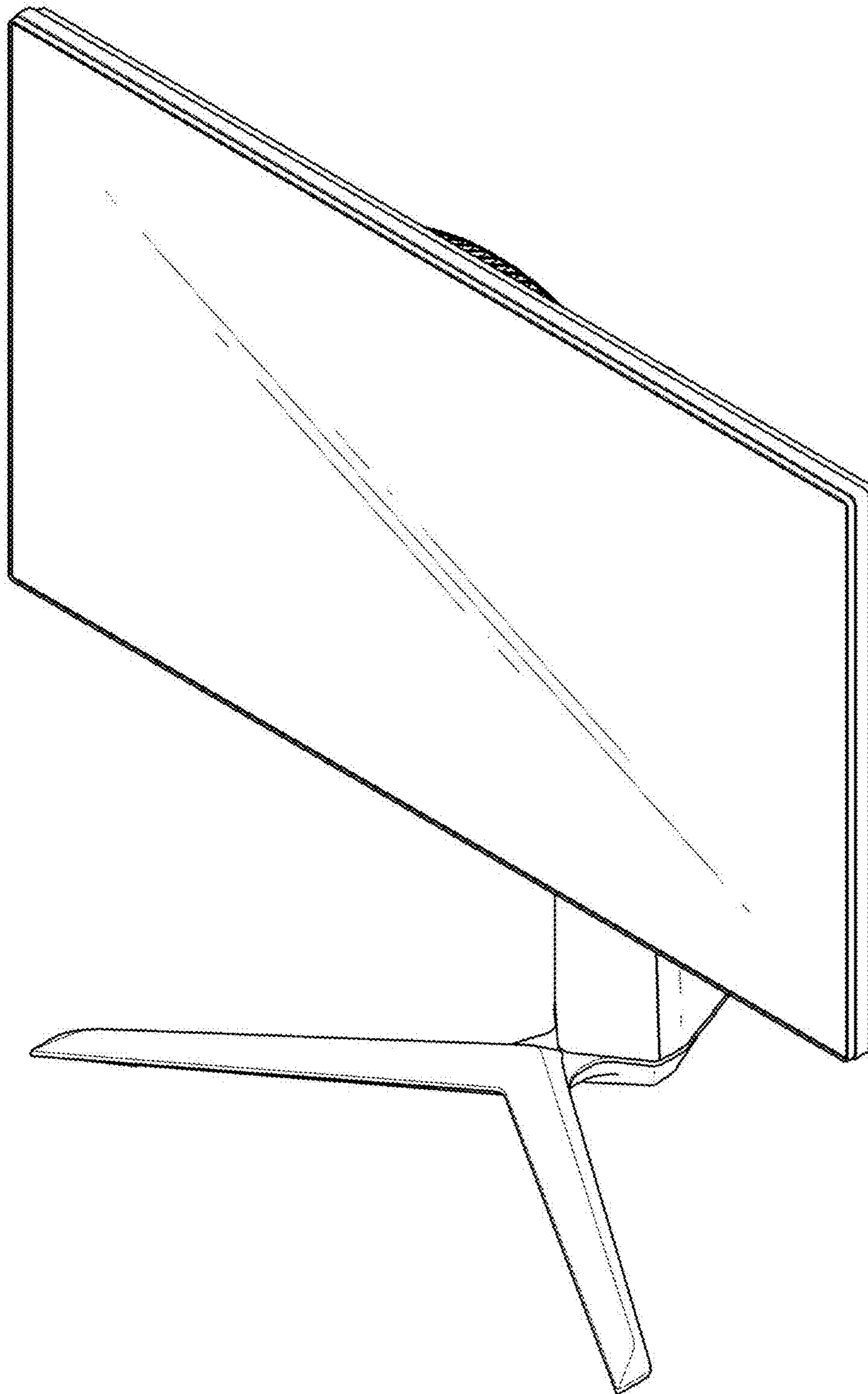
- 1. Monitor for computer
- 1.1 : Perspective
- 1.2 : Rear perspective view
- 1.3 : Front
- 1.4 : Back
- 1.5 : Left
- 1.6 : Right
- 1.7 : Top
- 1.8 : Bottom

The broken lines indicate portions of the article that form no part of the claimed design.

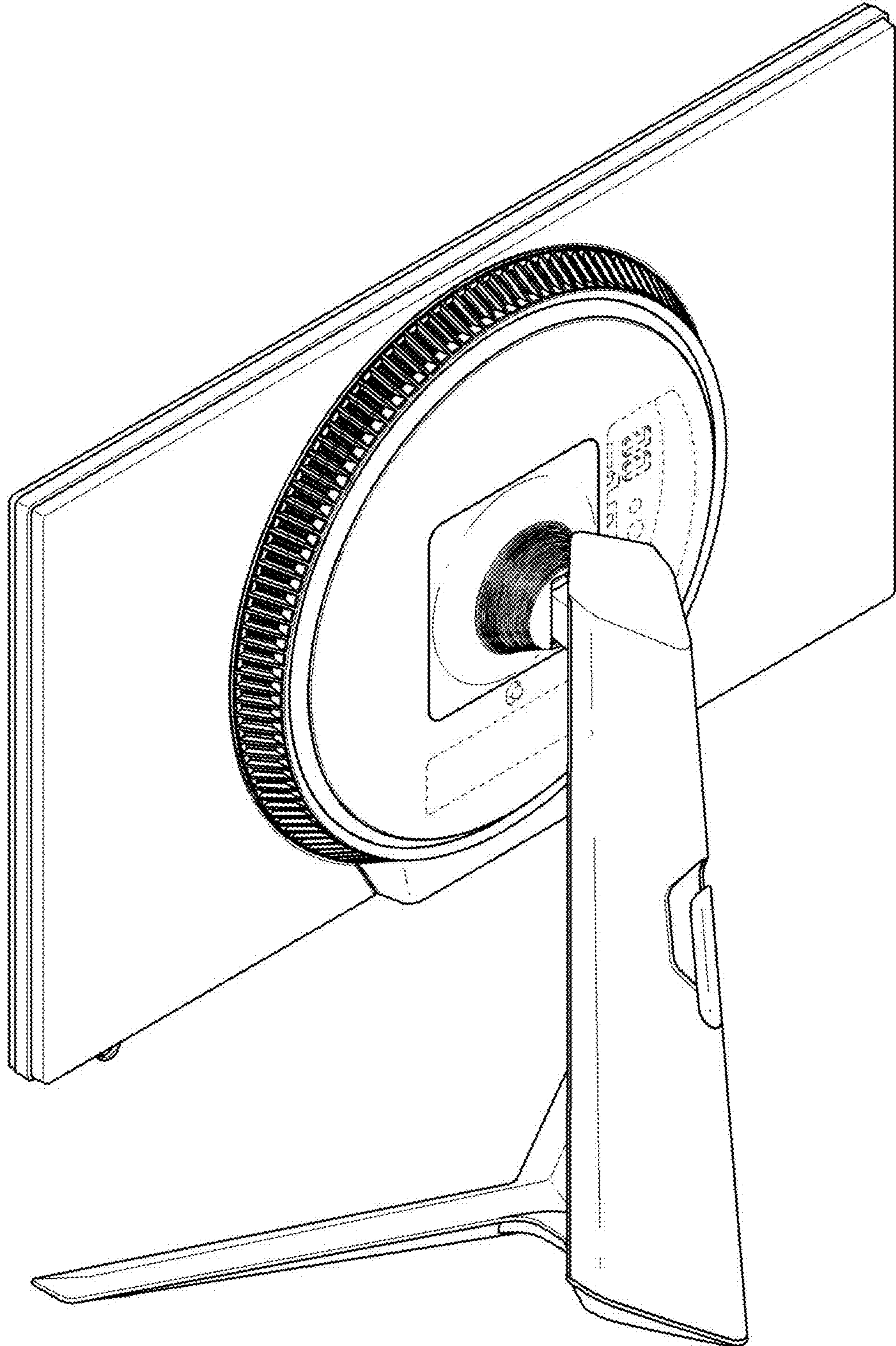
1 Claim, 8 Drawing Sheets



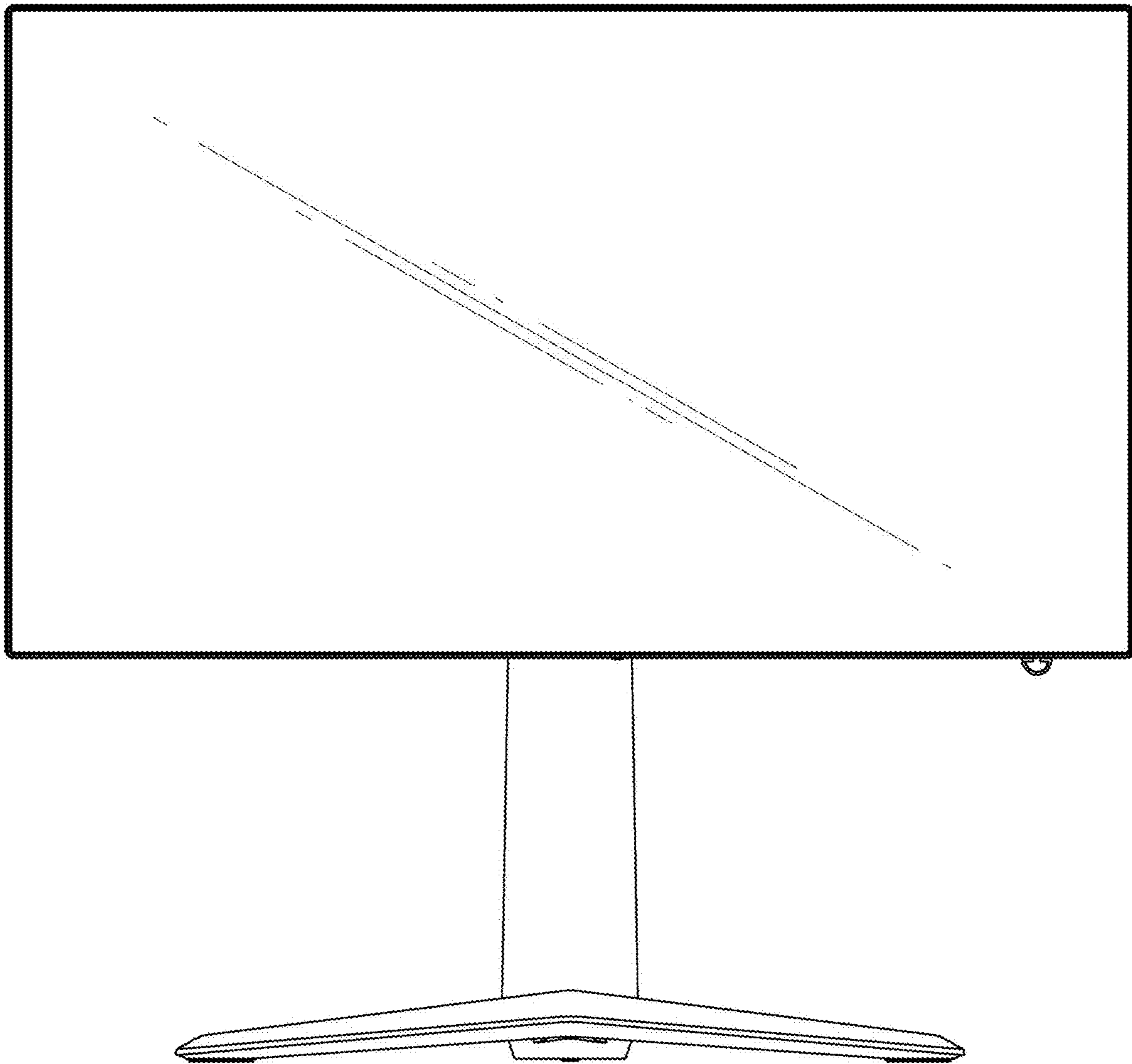
1.1



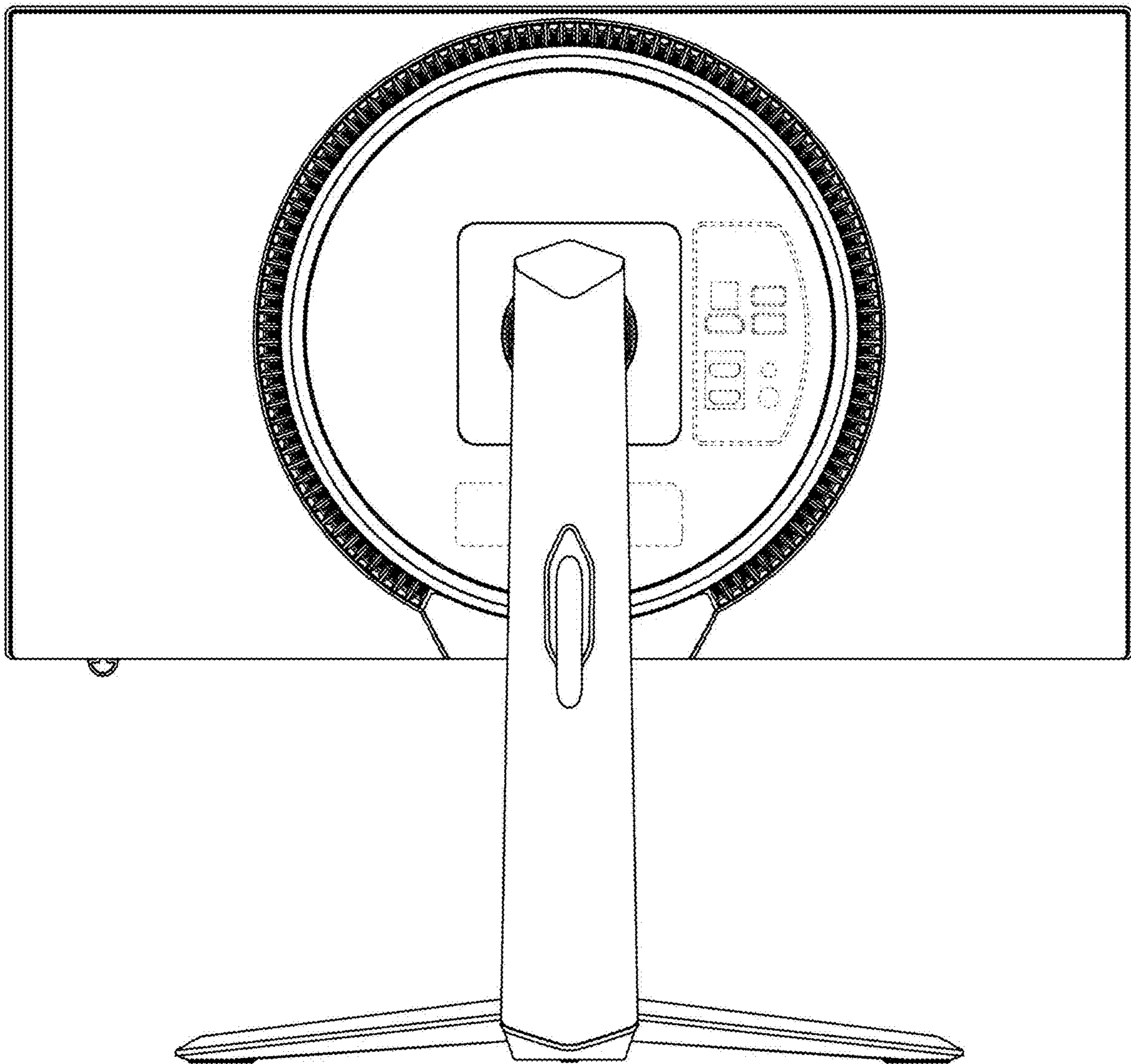
1.2



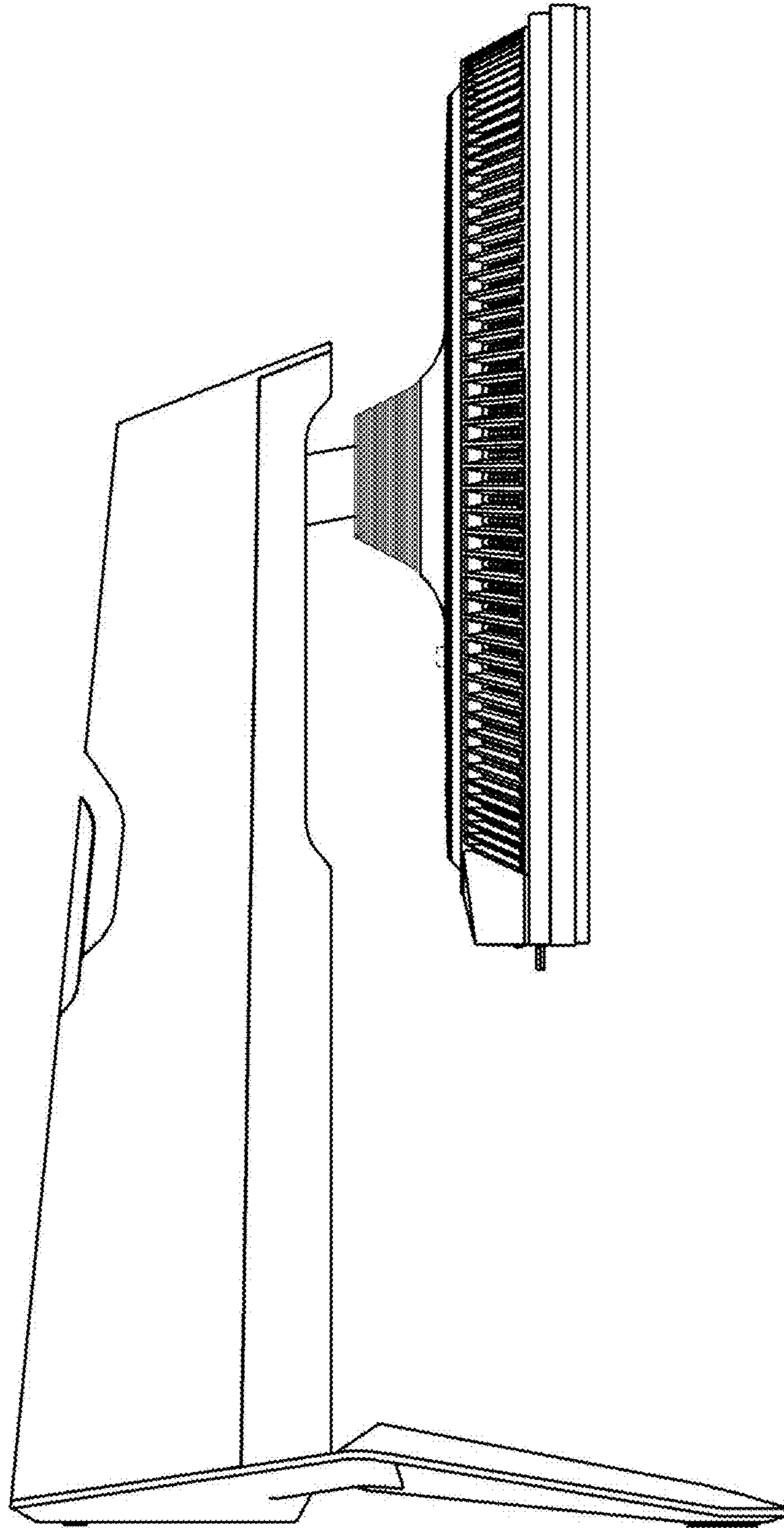
1.3



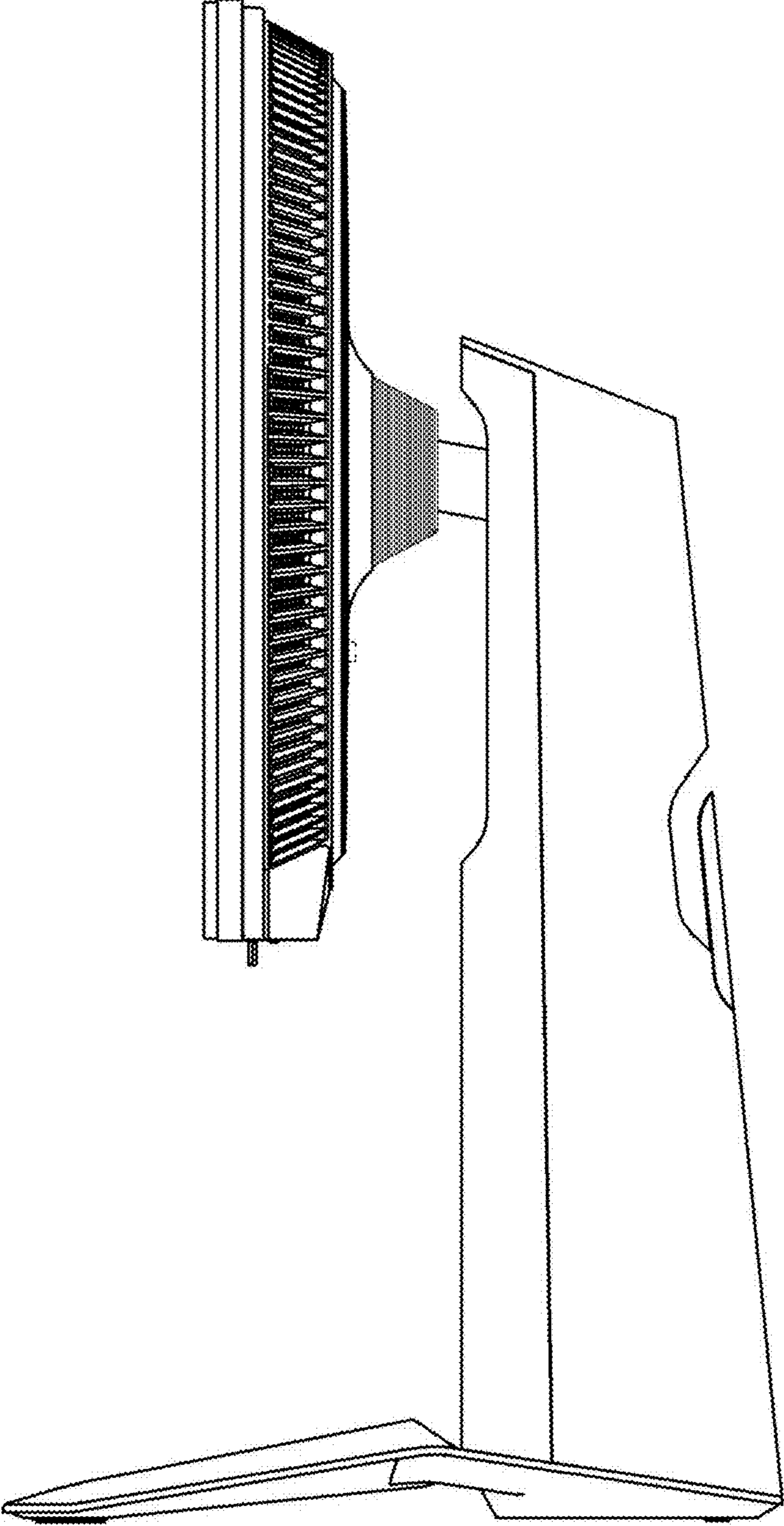
1.4



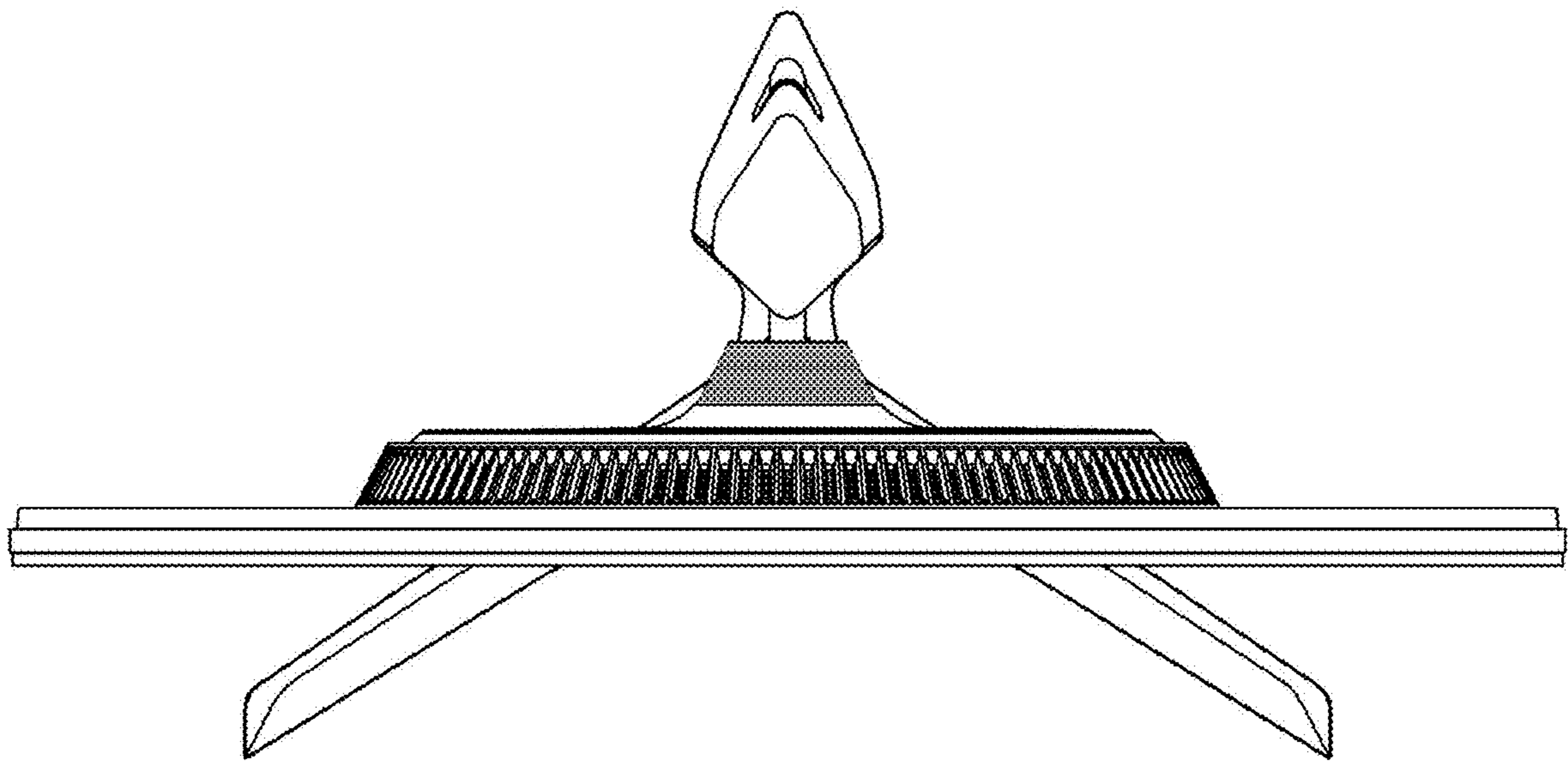
1.5



1.6



1.7



1.8

