



US00D943577S

(12) **United States Design Patent**  
**Kim et al.**

(10) **Patent No.:** **US D943,577 S**  
(45) **Date of Patent:** **\*\* Feb. 15, 2022**

(54) **MONITOR FOR COMPUTER**

(56) **References Cited**

(71) Applicant: **LG ELECTRONICS INC.**, Seoul (KR)

U.S. PATENT DOCUMENTS

(72) Inventors: **Yongsoo Kim**, Seoul (KR); **Daihyung Ryu**, Seoul (KR)

D725,616 S *	3/2015	Oh	.....	D14/126
D790,541 S *	6/2017	Jung	.....	D14/374
D791,130 S *	7/2017	Oh	.....	D14/374
D850,441 S *	6/2019	Lee	.....	D14/336
D858,473 S *	9/2019	Lee	.....	D14/126
D859,337 S *	9/2019	Lee	.....	D14/126
D872,085 S *	1/2020	Lee	.....	D14/374
D893,479 S *	8/2020	Ryu	.....	D14/374
D900,815 S *	11/2020	Kang	.....	D14/371
D909,368 S *	2/2021	Seo	.....	D14/336
D912,668 S *	3/2021	Kang	.....	D14/375
D918,908 S *	5/2021	Kang	.....	D14/375

(73) Assignee: **LG ELECTRONICS INC.**, Seoul (KR)

(\*\*) Term: **15 Years**

(21) Appl. No.: **35/510,546**

\* cited by examiner

(22) Filed: **Apr. 10, 2020**

*Primary Examiner* — Keli L Hill

(80) **Hague Agreement Data**

(74) *Attorney, Agent, or Firm* — Birch, Stewart, Kolasch & Birch, LLP

Int. Filing Date: **Apr. 10, 2020**

Int. Reg. No.: **DM/207589**

Int. Reg. Date: **Apr. 10, 2020**

Int. Reg. Pub. Date: **Oct. 16, 2020**

(57) **CLAIM**

The ornamental design for a monitor for computer, as shown and described.

(30) **Foreign Application Priority Data**

**DESCRIPTION**

Oct. 21, 2019 (KR) ..... 30-2019-0049779

(51) **LOC (13) Cl.** ..... **14-02**

(52) **U.S. Cl.**  
USPC ..... **D14/375**

(58) **Field of Classification Search**  
USPC ..... D14/126, 239, 336, 371-382, 448, 450,  
D14/451; D21/329, 332, 515; D6/310,  
D6/312

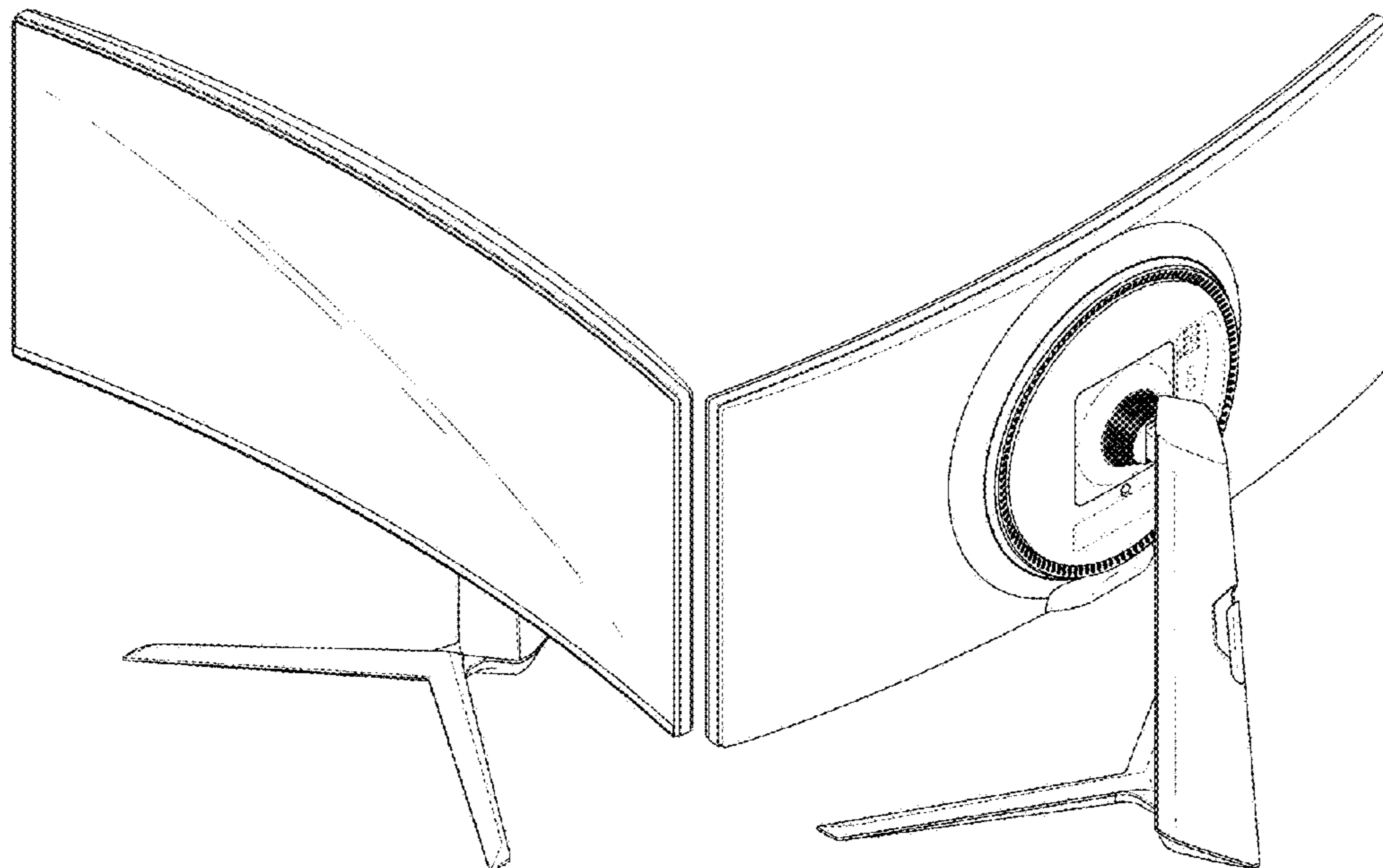
CPC ..... G06F 1/16; G06F 1/1601; G06F 1/1637;  
H04N 5/64; H05K 5/0204; H05K 5/0004;  
H05K 5/0017; H05K 5/0217

See application file for complete search history.

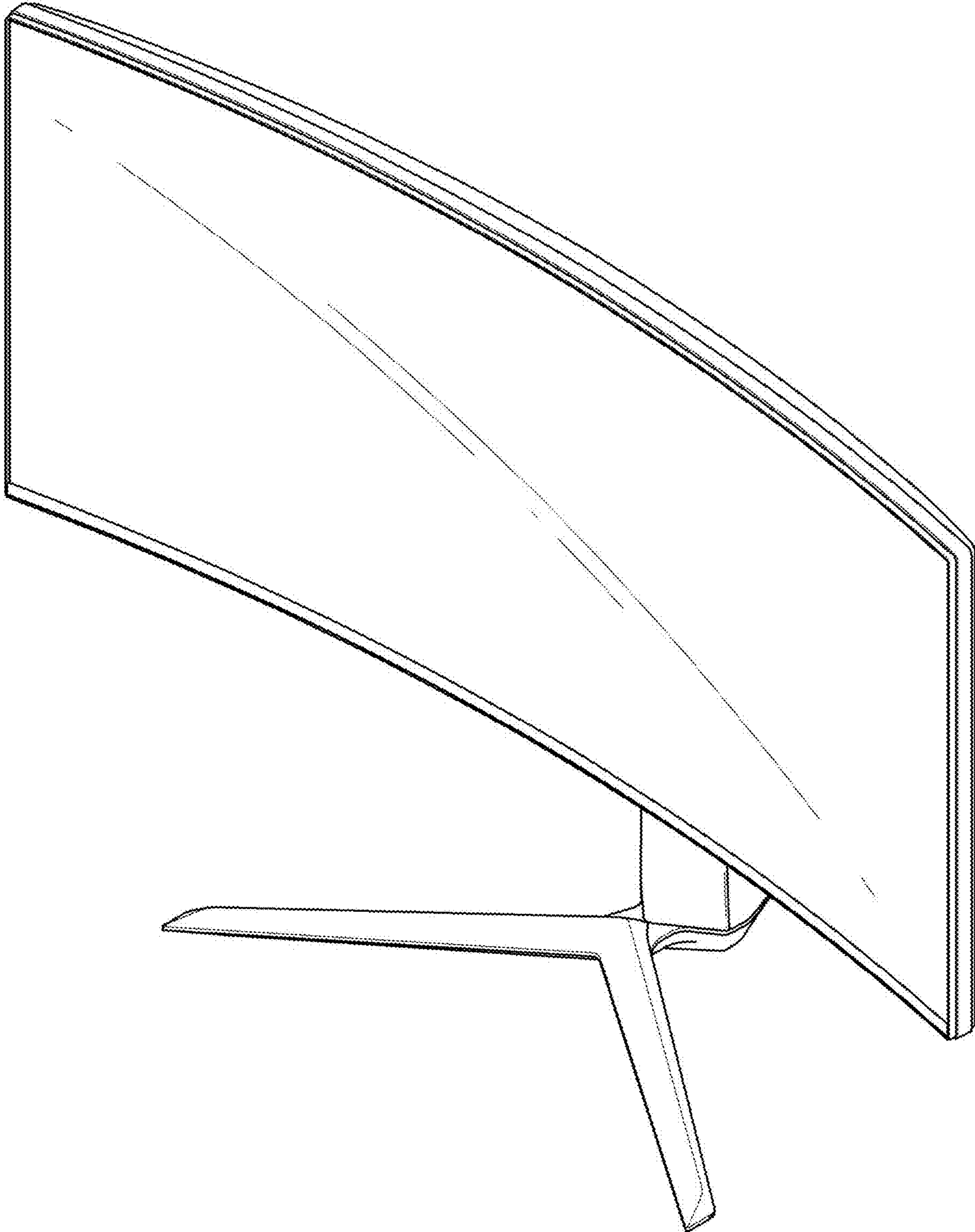
1. Monitor for computer
- 1.1 : Perspective
- 1.2 : Rear perspective view
- 1.3 : Front
- 1.4 : Back
- 1.5 : Left
- 1.6 : Right
- 1.7 : Top
- 1.8 : Bottom

The broken lines indicate portions of the article that form no part of the claimed design.

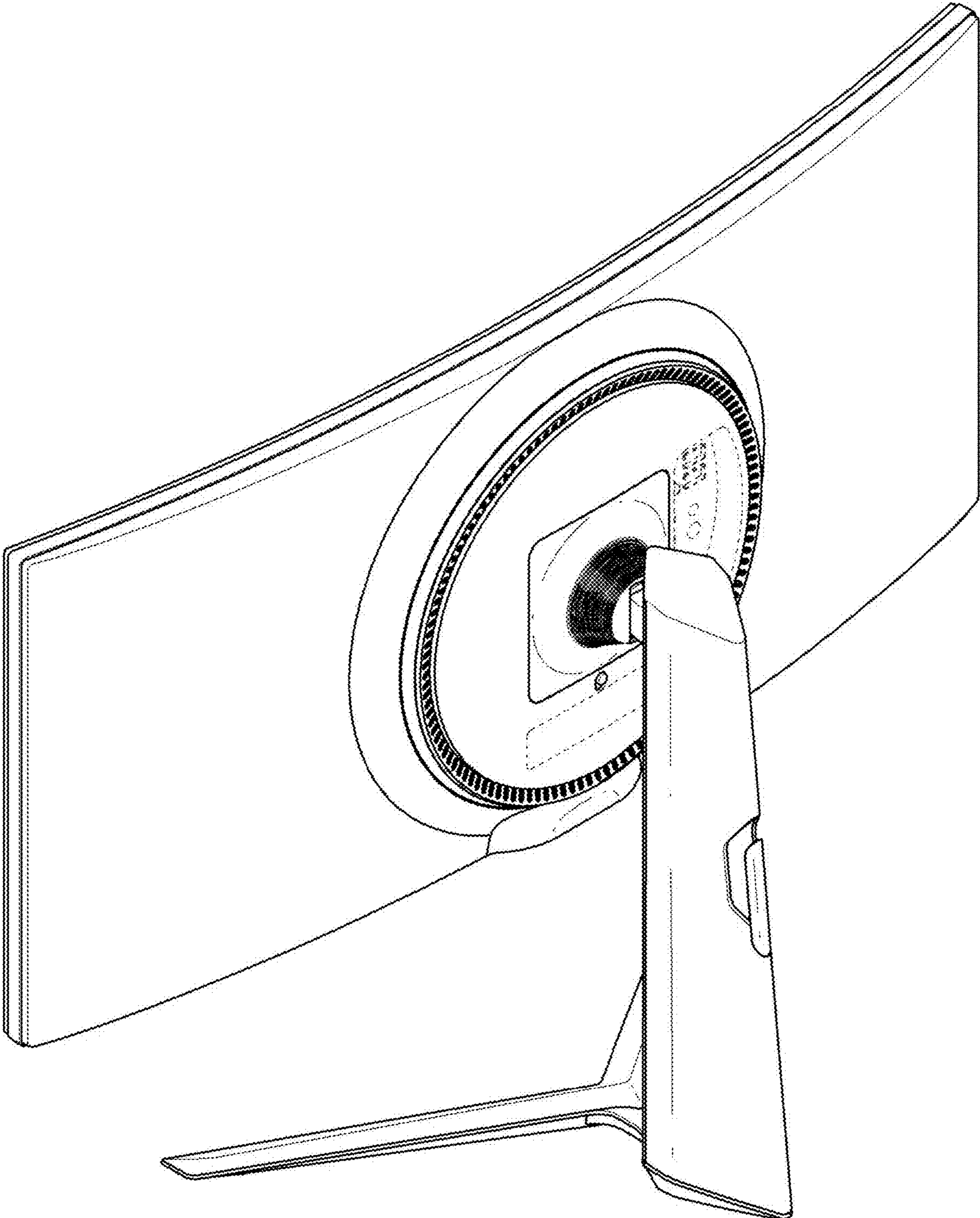
**1 Claim, 8 Drawing Sheets**



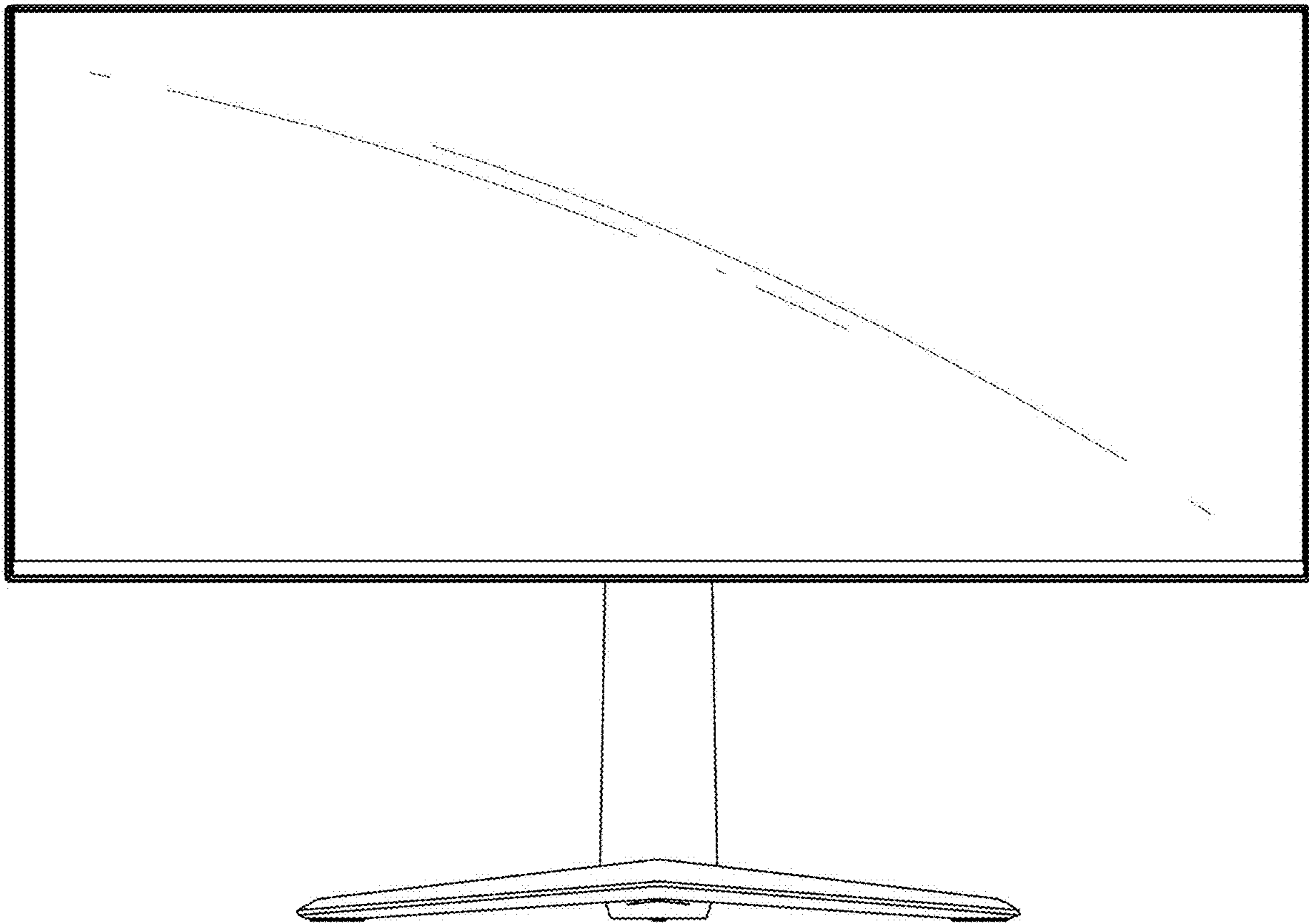
1.1



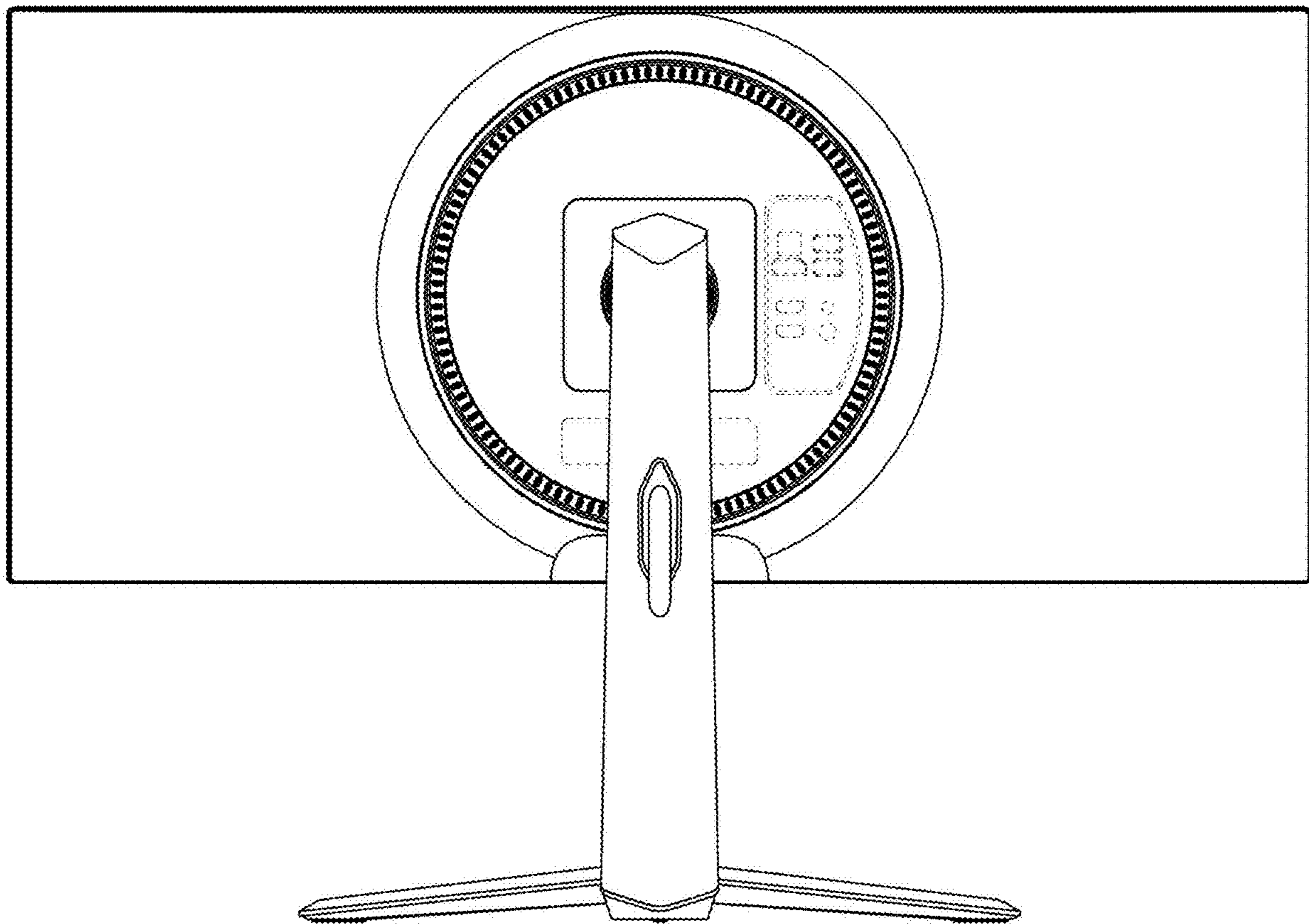
1.2



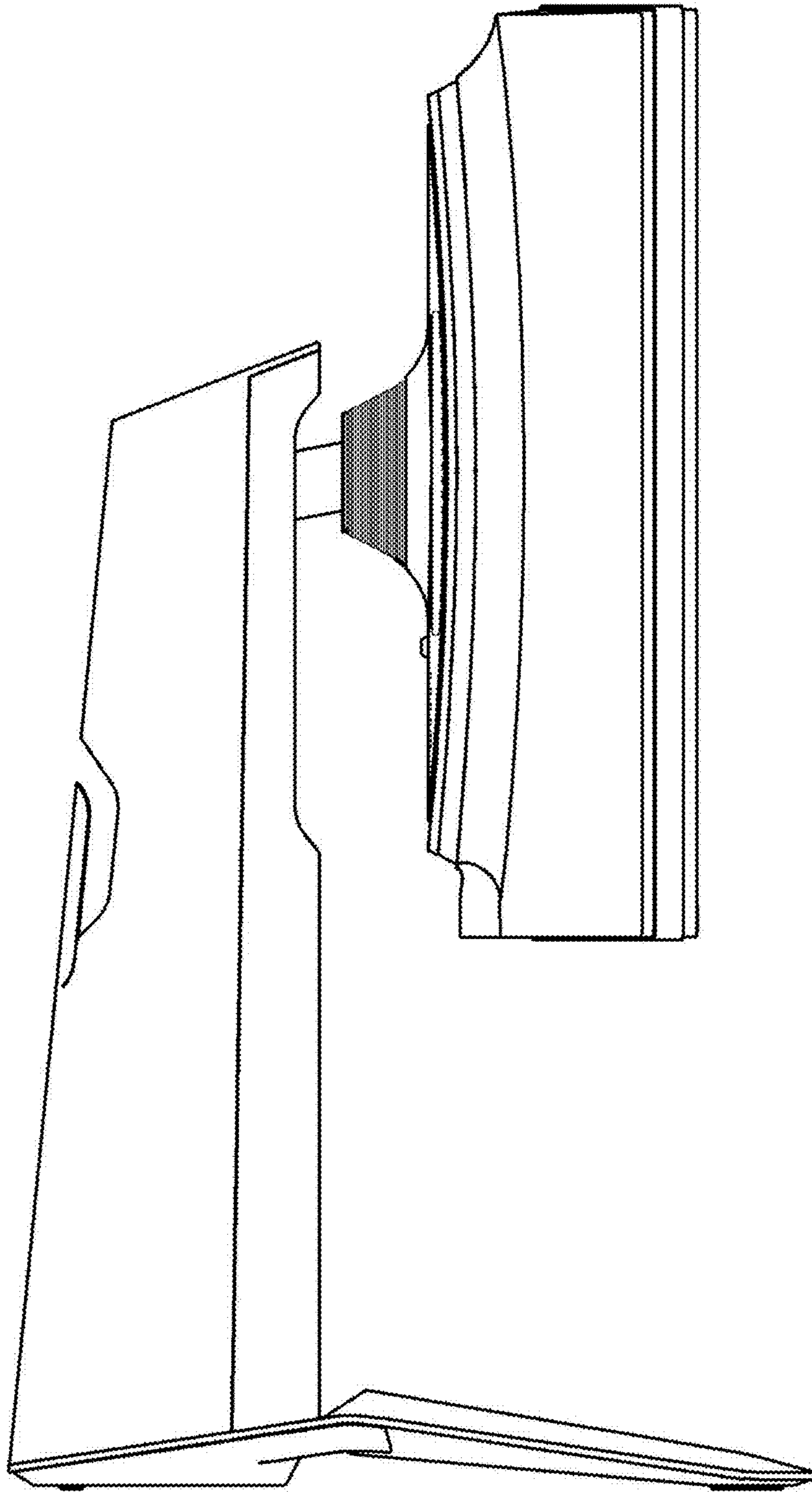
1.3



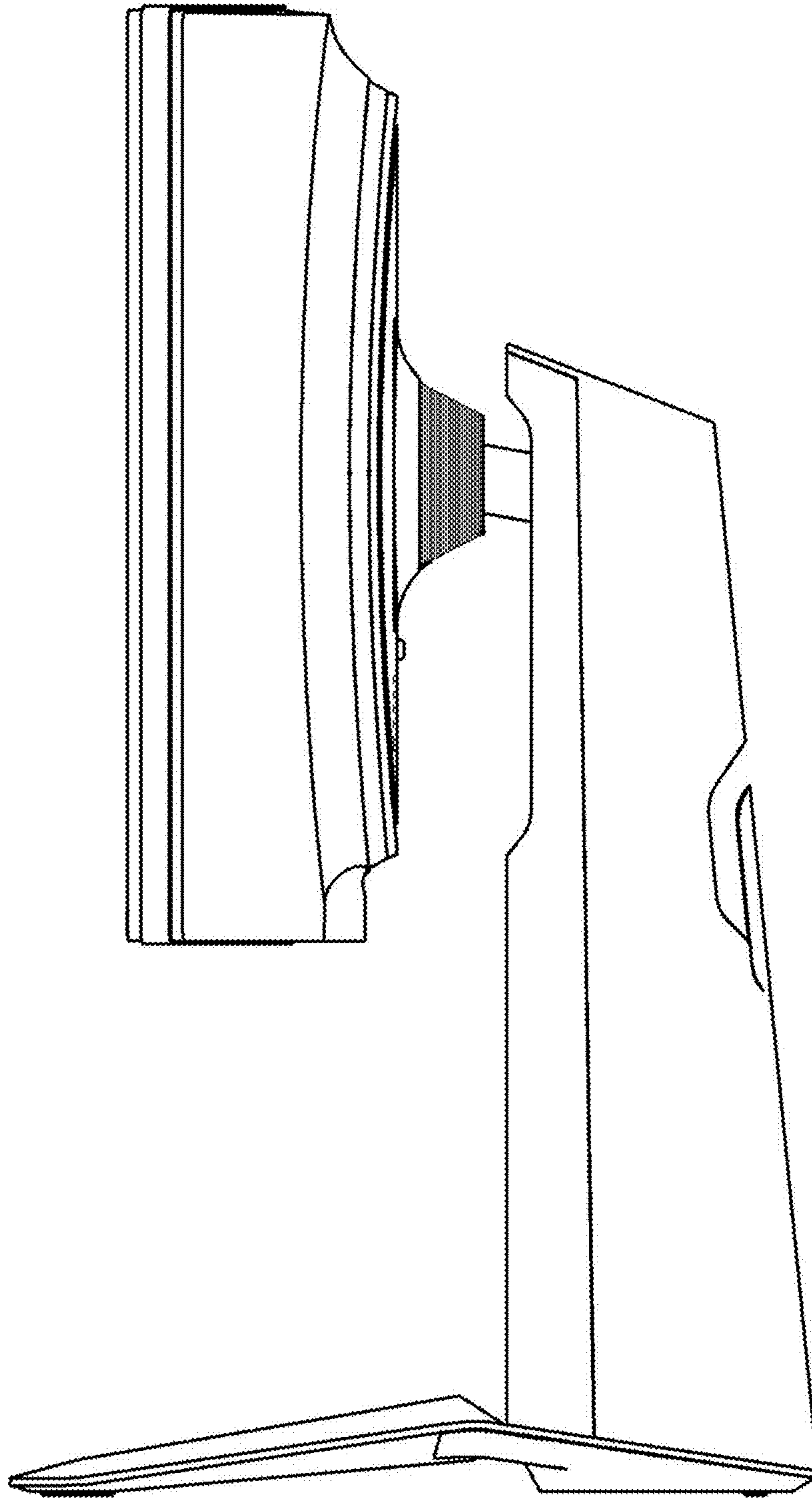
1.4



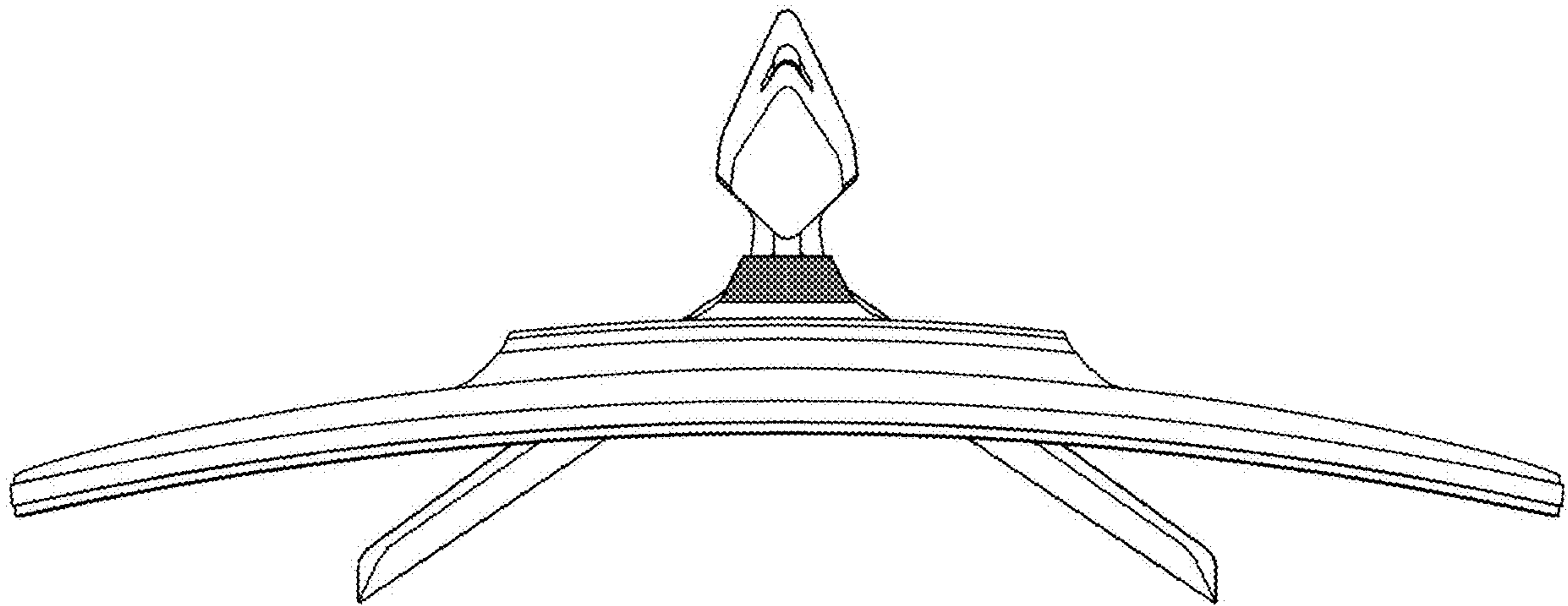
1.5



1.6



1.7





1.8

