



US00D943576S

(12) **United States Design Patent** (10) **Patent No.:** **US D943,576 S**  
**Bristol et al.** (45) **Date of Patent:** **\*\* Feb. 15, 2022**

(54) **HEAD-MOUNTED DISPLAY**

- (71) Applicant: **Facebook Technologies, LLC**, Menlo Park, CA (US)
- (72) Inventors: **Peter Wesley Bristol**, Seattle, WA (US); **Joseph Patrick Sullivan**, Seattle, WA (US); **Mauricio Romano**, Redmond, WA (US); **David Michael Pickett**, Seattle, WA (US); **Peter Allan Chase Newbury**, Burlington, WA (US); **Quintin Morris**, Seattle, WA (US); **Shane Michael Ellis**, Bellevue, WA (US); **Glen Jason Tompkins**, Woodinville, WA (US); **Enric Vial Roig**, Seattle, WA (US); **Joel Bernard Jacobs**, Seattle, WA (US)
- (73) Assignee: **Facebook Technologies, LLC**, Menlo Park, CA (US)
- (\*\*) Term: **15 Years**
- (21) Appl. No.: **29/796,987**
- (22) Filed: **Jun. 28, 2021**

**Related U.S. Application Data**

- (63) Continuation of application No. 29/723,777, filed on Feb. 10, 2020, now Pat. No. Des. 925,528.
  - (51) **LOC (13) Cl.** ..... **14-02**
  - (52) **U.S. Cl.**  
USPC ..... **D14/372**
  - (58) **Field of Classification Search**  
USPC ..... D14/372, 496, 432, 371, 125, 126, 129, D14/299; D16/300-342; 351/158, 153, 351/144; 345/7-9, 905; 455/344; 348/115, 53, 121, 739  
CPC ..... G02B 27/017; G02B 27/0158; G02B 27/0161; G02B 27/0181; G02B 27/0185; G02B 27/0189
- See application file for complete search history.

(56) **References Cited**

U.S. PATENT DOCUMENTS

- D398,403 S 9/1998 Bishop et al.
- 9,385,396 B2 7/2016 Goh et al.
- D778,909 S 2/2017 Nokuo
- D780,753 S 3/2017 Park et al.
- D809,517 S 2/2018 Sakata et al.
- D823,855 S 7/2018 Robertson et al.
- D827,642 S 9/2018 Liu et al.
- D829,208 S 9/2018 Dallmeyer et al.

(Continued)

OTHER PUBLICATIONS

Barreiros J., et al., "Fabric Reinforced Soft Actuators," U.S. Appl. No. 17/111,549, filed Dec. 4, 2020, 71 pages.

(Continued)

*Primary Examiner* — Austin Murphy

(74) *Attorney, Agent, or Firm* — FisherBroyles, LLP

(57) **CLAIM**

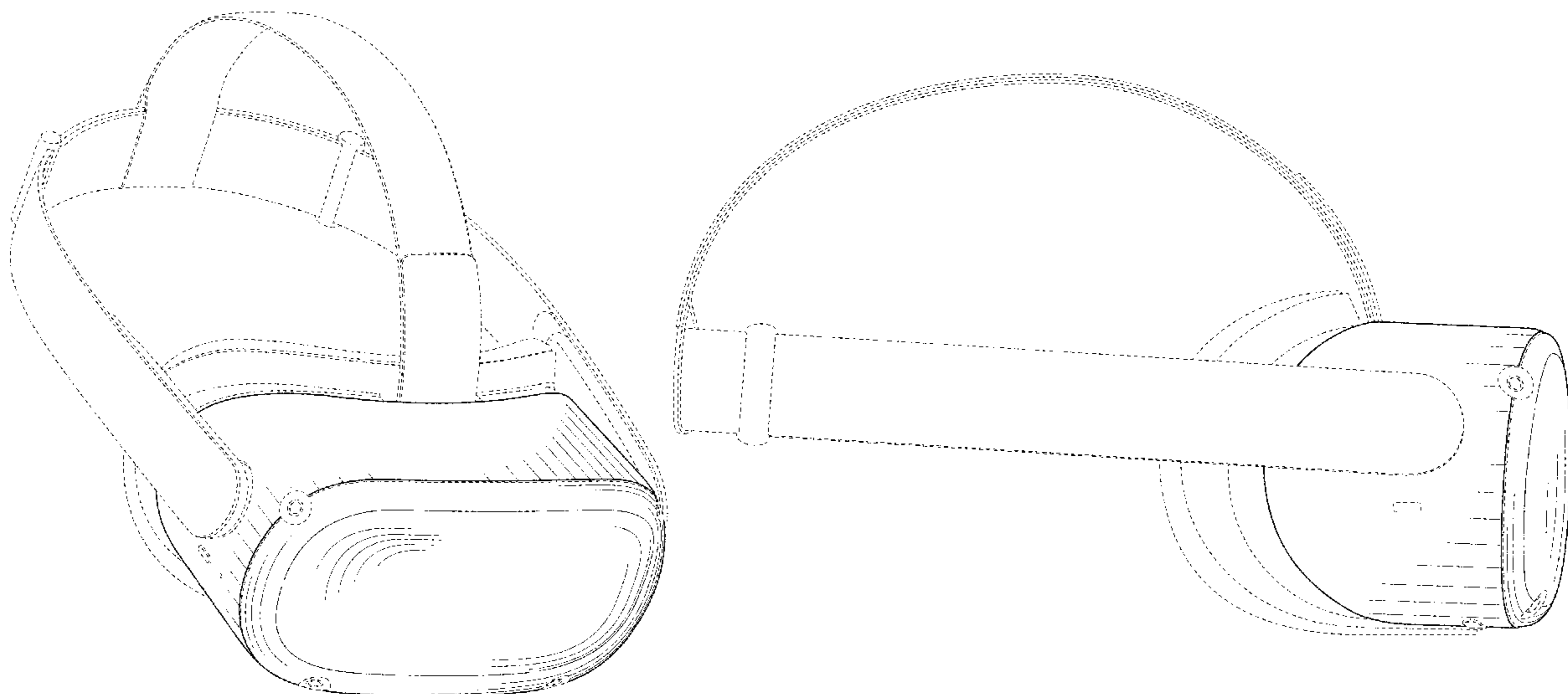
The ornamental design for a head-mounted display, as shown and described.

**DESCRIPTION**

FIG. 1 is a front perspective view of a head-mounted display showing the claimed design;  
 FIG. 2 is a rear perspective view thereof;  
 FIG. 3 is a front view thereof;  
 FIG. 4 is a rear view thereof;  
 FIG. 5 is a top view thereof;  
 FIG. 6 is a bottom view thereof;  
 FIG. 7 is a left side view thereof; and,  
 FIG. 8 is a right side view thereof.

The broken lines shown in the figures illustrate portions of the head-mounted display that form no part of the claimed design.

**1 Claim, 8 Drawing Sheets**



(56)

References Cited

U.S. PATENT DOCUMENTS

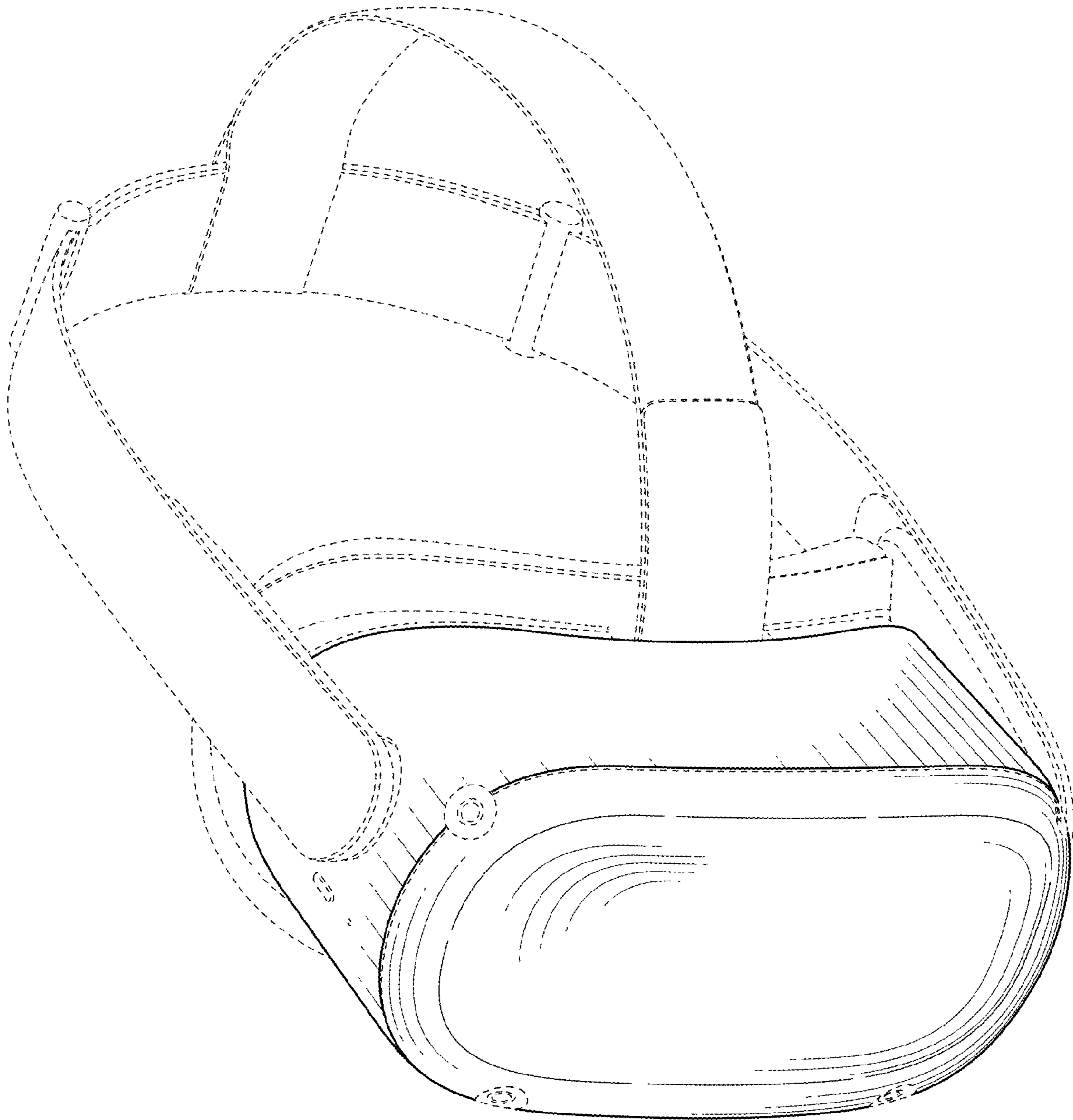
D834,016 S 11/2018 Raffle et al.  
 10,146,262 B1 12/2018 Magrath et al.  
 D838,719 S 1/2019 Wei et al.  
 10,297,868 B2 5/2019 Choi et al.  
 D861,680 S 10/2019 Chou et al.  
 D865,764 S \* 11/2019 Miller ..... D14/372  
 D867,362 S 11/2019 Chou et al.  
 D869,464 S 12/2019 Chang et al.  
 D875,093 S \* 2/2020 Park ..... D14/372  
 D875,094 S \* 2/2020 Miller ..... D14/372  
 D882,568 S 4/2020 Park  
 D882,569 S 4/2020 Tsao  
 D883,280 S \* 5/2020 Shao ..... D14/372  
 10,663,737 B1 \* 5/2020 Magrath ..... H01R 13/6205  
 D889,464 S 7/2020 Wang et al.  
 D892,792 S \* 8/2020 Miller ..... D14/372  
 D893,478 S \* 8/2020 Watanabe ..... D14/372  
 D896,221 S 9/2020 Lee et al.  
 D898,738 S 10/2020 Denhez et al.  
 D900,095 S 10/2020 Wang et al.  
 D900,099 S 10/2020 Park  
 D904,402 S 12/2020 Marquis et al.  
 D910,014 S 2/2021 Amijo et al.  
 D910,015 S \* 2/2021 Amijo ..... D14/372  
 D910,018 S \* 2/2021 Amijo ..... D14/372  
 D912,048 S 3/2021 Wei et al.  
 D916,086 S 4/2021 Zhang et al.  
 D917,476 S 4/2021 Zhang et al.  
 D918,203 S \* 5/2021 Chen ..... D14/372

D918,904 S 5/2021 Jackson et al.  
 D925,528 S \* 7/2021 Bristol ..... D14/372  
 D925,529 S 7/2021 Morris et al.  
 D925,530 S 7/2021 Morris et al.  
 D929,401 S \* 8/2021 Chiang ..... D14/372  
 D929,402 S \* 8/2021 Jiang ..... D14/372

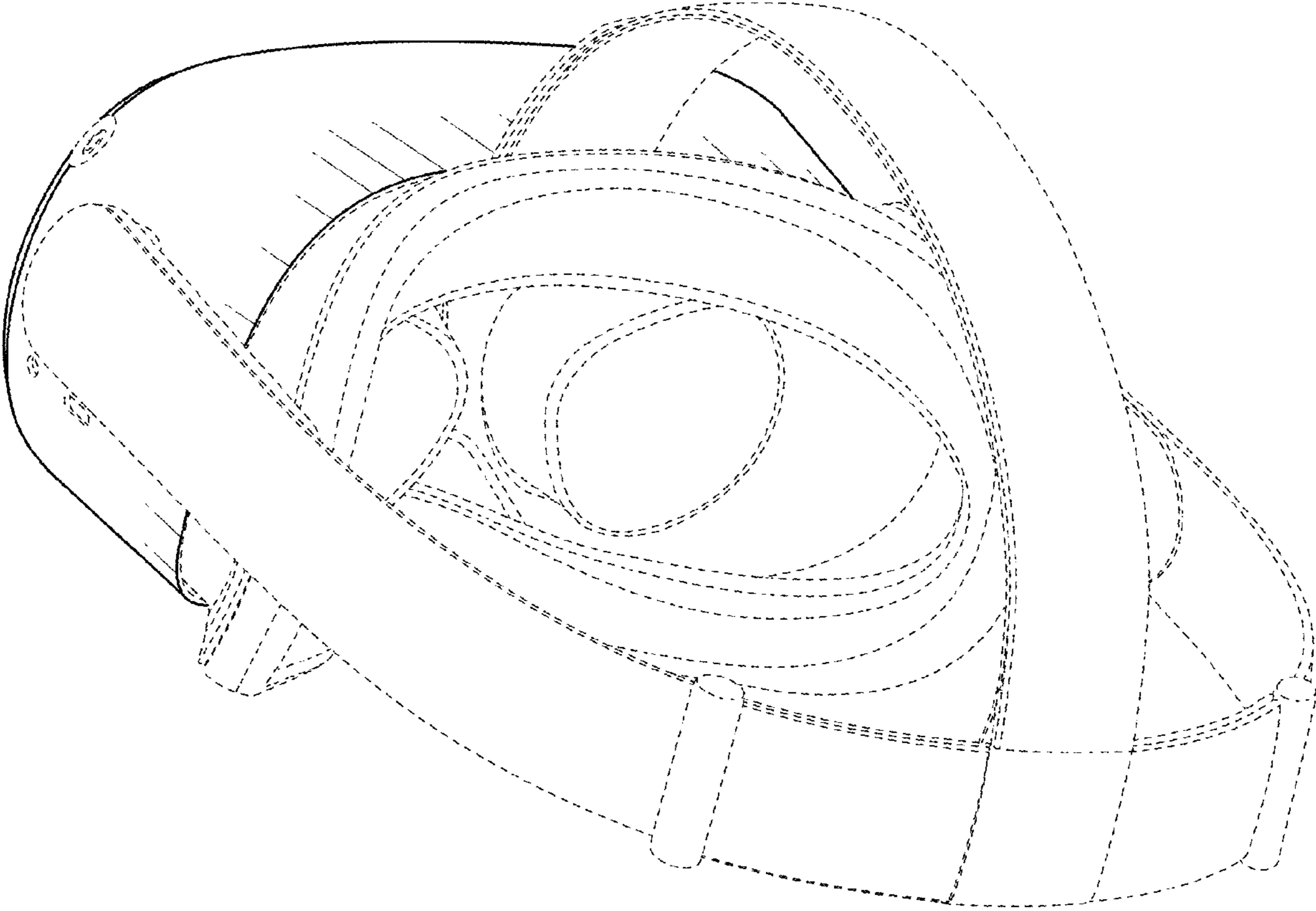
OTHER PUBLICATIONS

Flores J.A.B., et al., "Fabric Reinforced Soft Actuators," U.S. Appl. No. 63/050,310, filed Jul. 10, 2020, 56 pages.  
 Howard J., et al., "Curved Batteries, Devices, and Accessories," U.S. Appl. No. 62/901,082, filed an Sep. 16, 2019, 75 pages.  
 Howard J., et al., "Curved Battery-Pack Devices and Accessories," U.S. Appl. No. 16/818,614, filed Mar. 13, 2020, 117 pages.  
 Howard J., et al., "Non-Uniformly Curved Batteries," U.S. Appl. No. 16/818,611, filed Mar. 13, 2020, 115 pages.  
 Lang B., "HoloLens 2 Specs Reveal 2-3 Hour 'Active' Battery Life, Optional Top Strap, & More," Feb. 24, 2019, 5 pages, Retrieved from the Internet: URL: <https://www.roadtovr.com/hololens-2-specs-resolution-field-of-view-battery-life/>.  
 "LG G Flex," Wikipedia, Nov. 12, 2013, 2 pages, Retrieved from the Internet: URL: [https://en.wikipedia.org/wiki/LG\\_G\\_Flex](https://en.wikipedia.org/wiki/LG_G_Flex).  
 Morris Q., et al., "Head-Mounted Display," U.S. Appl. No. 29/723,785, filed Feb. 10, 2020, 23 pages.  
 Roig E.V., et al., "Head Cradle for Head-Mounted Display and Related Systems and Devices," U.S. Appl. No. 63/060,716, filed Aug. 4, 2020, 65 pages.

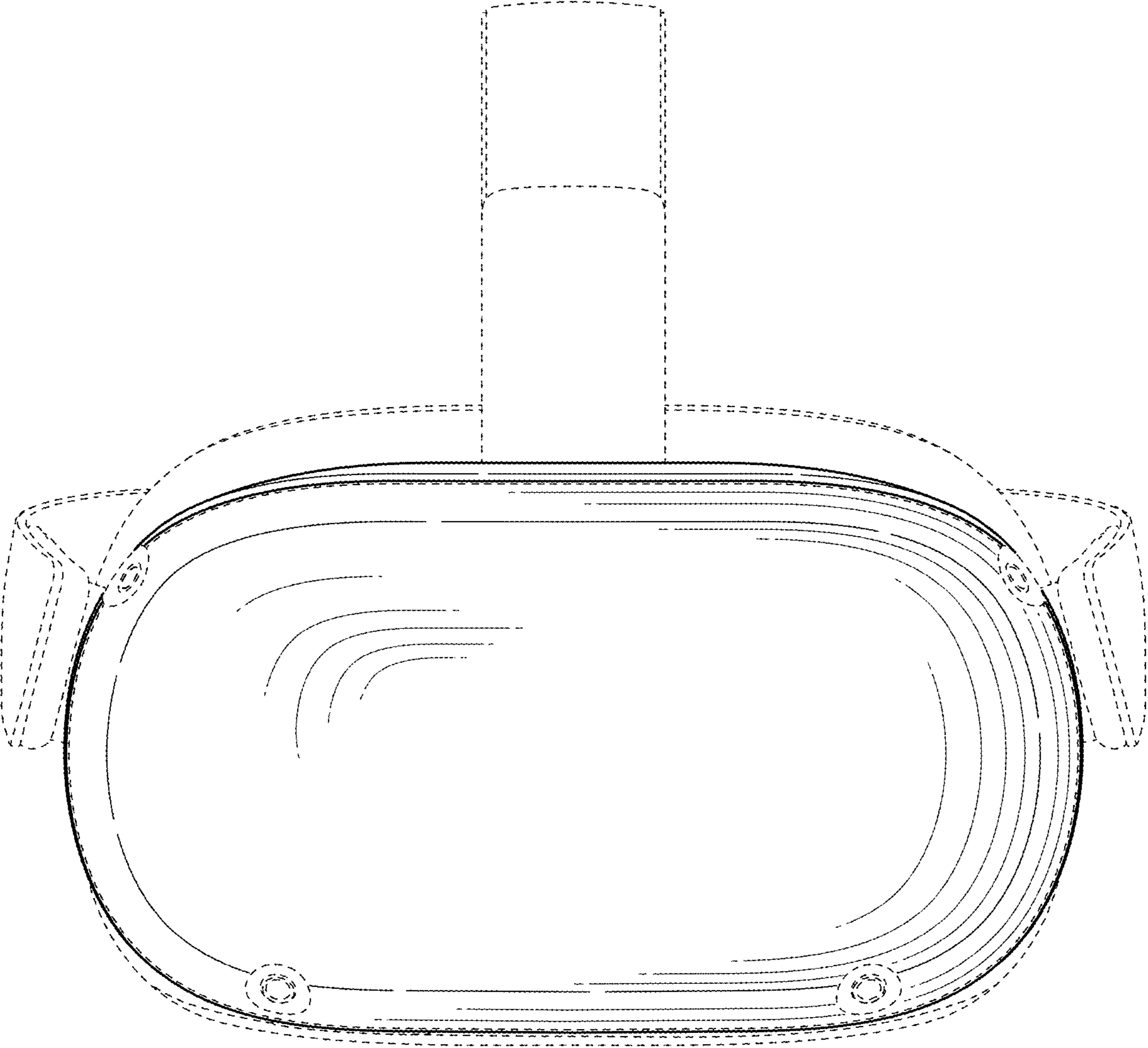
\* cited by examiner



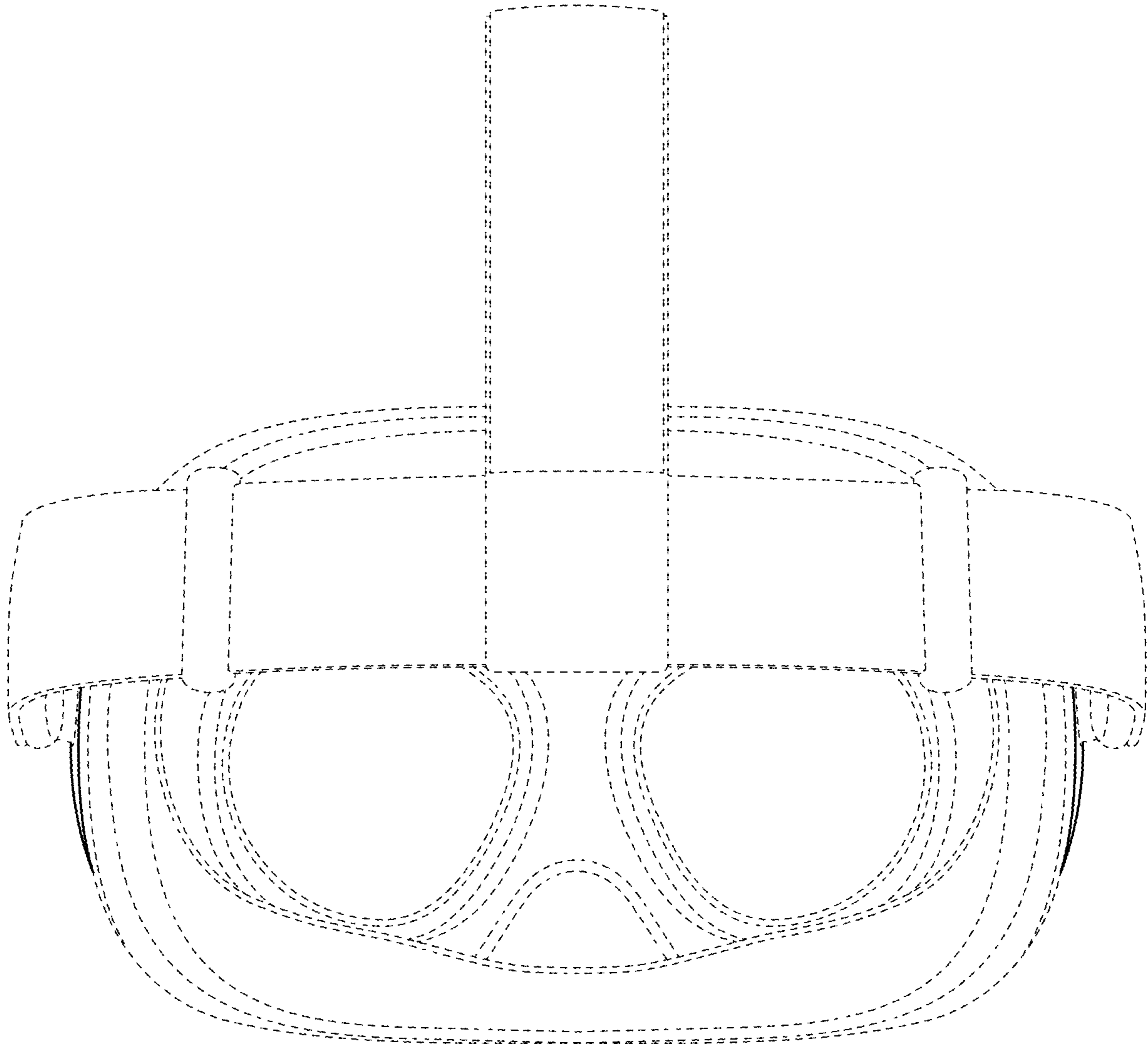
**FIG. 1**



**FIG. 2**



**FIG. 3**



**FIG. 4**

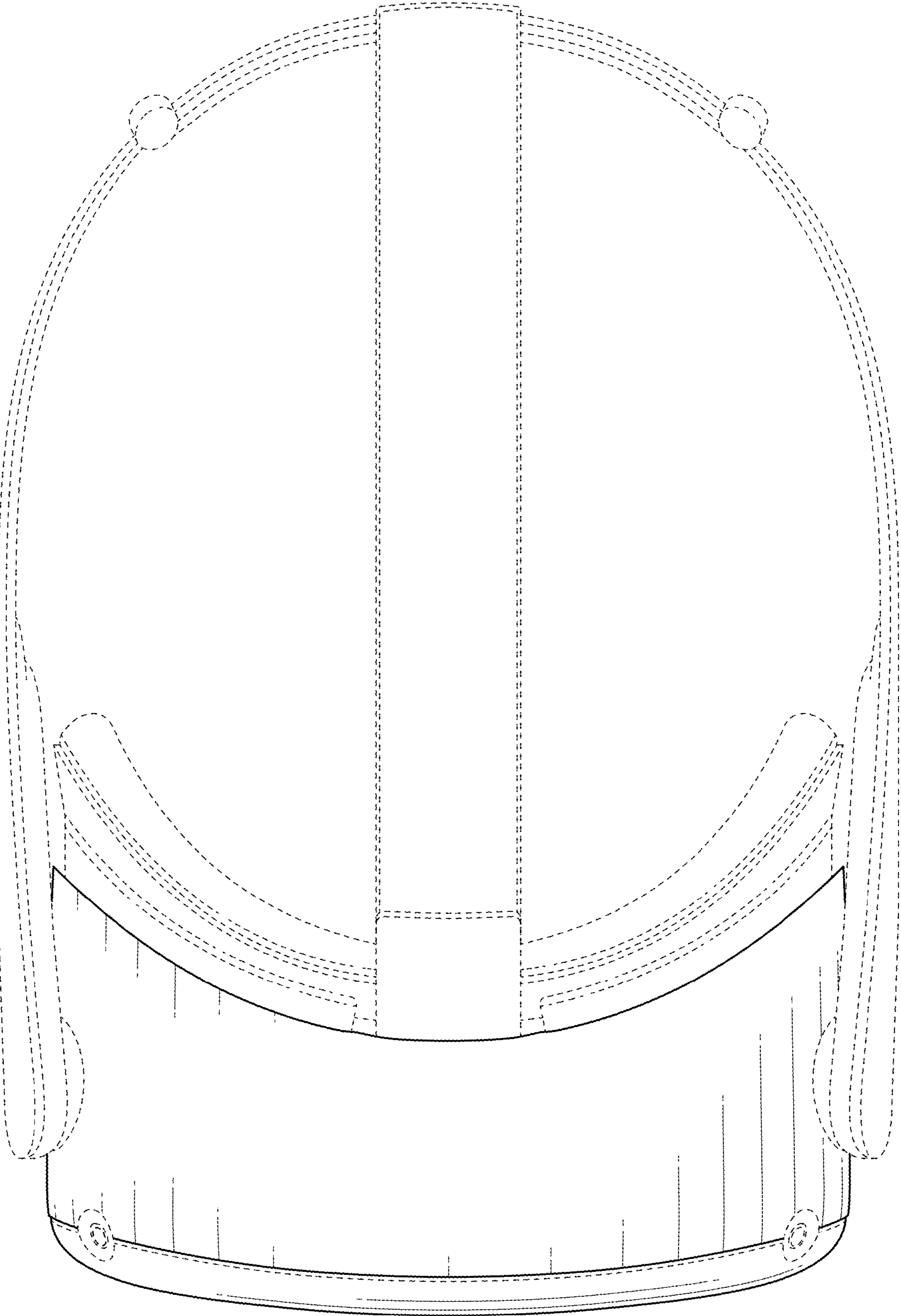
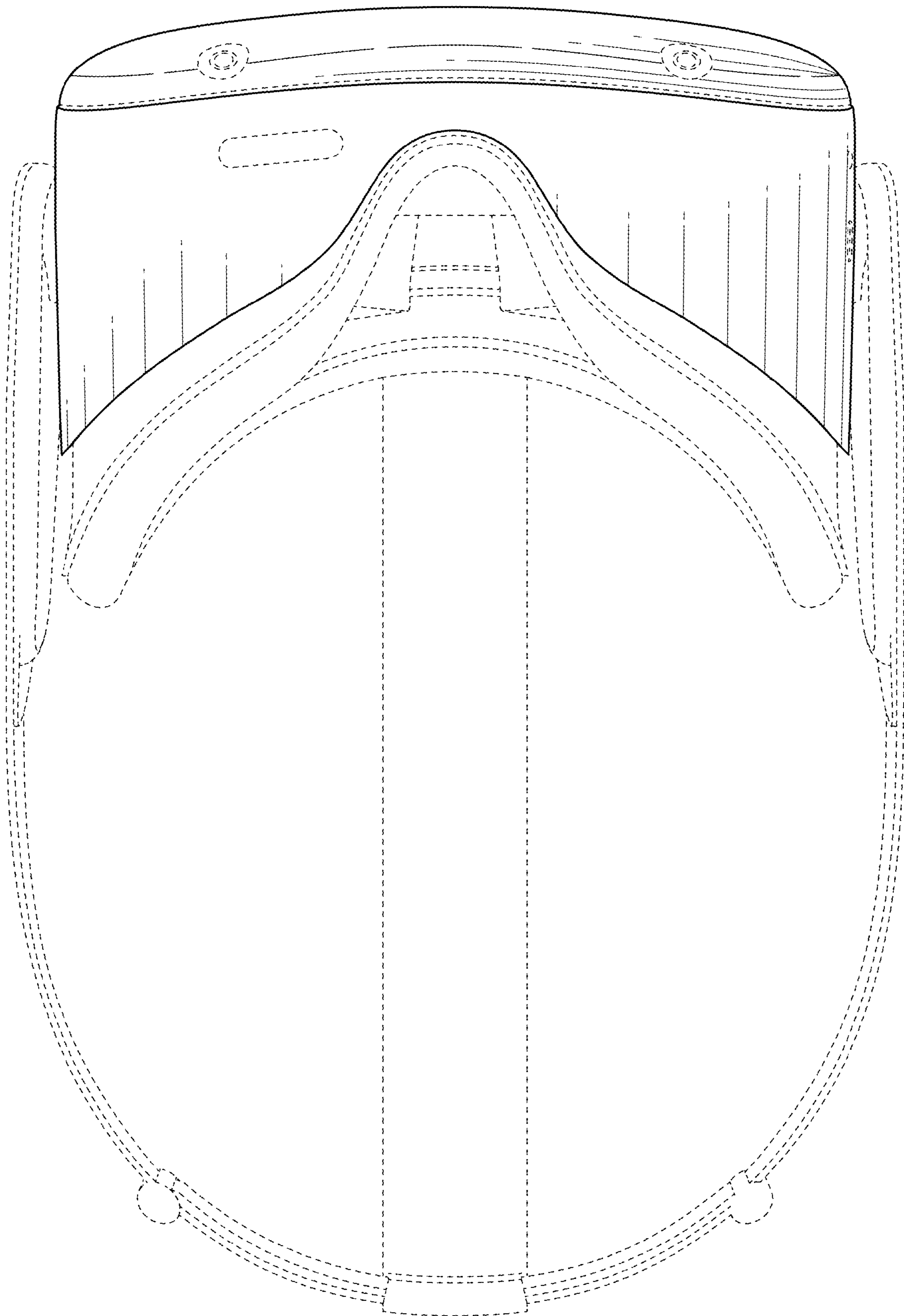


FIG. 5



**FIG. 6**



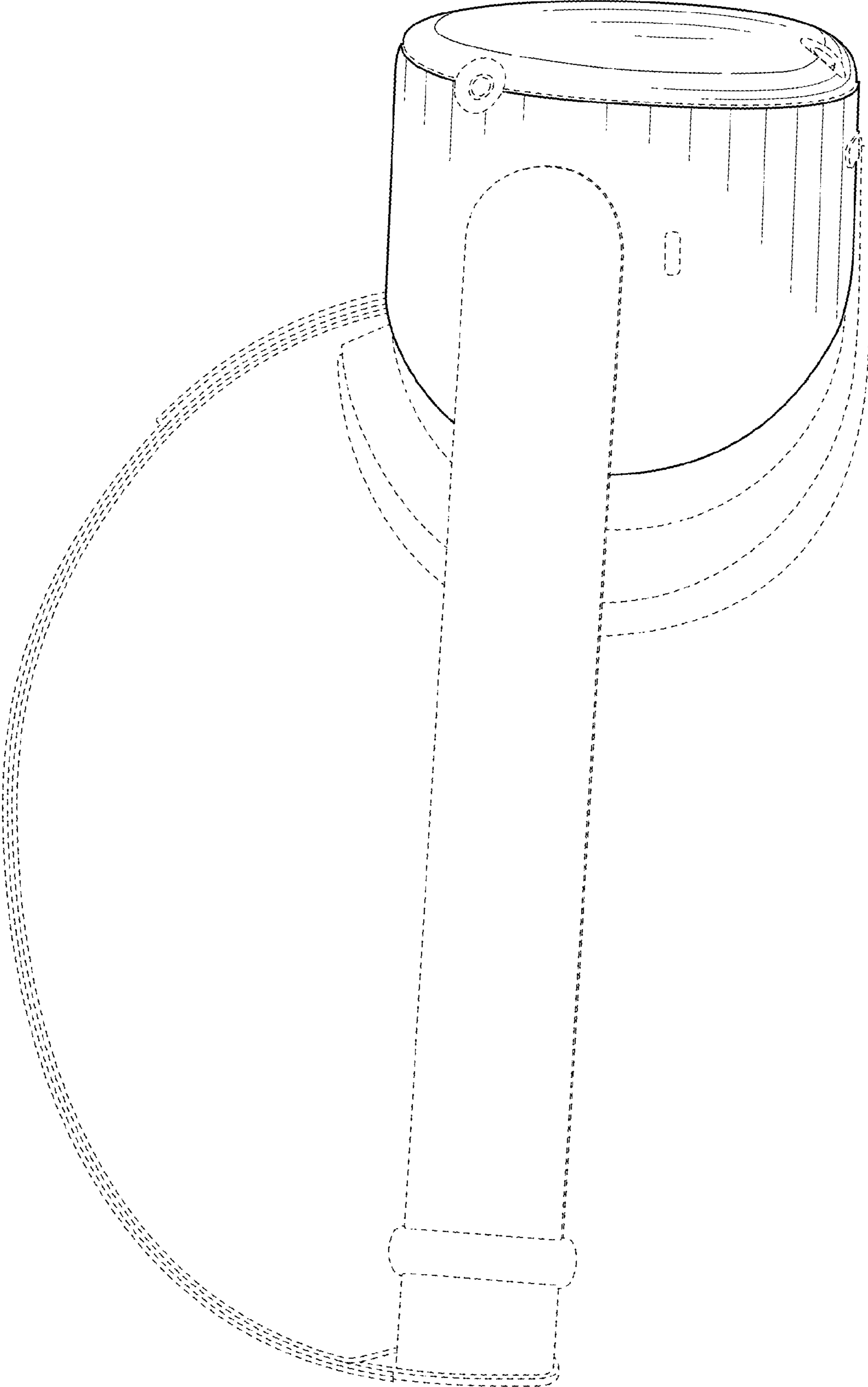


FIG. 7

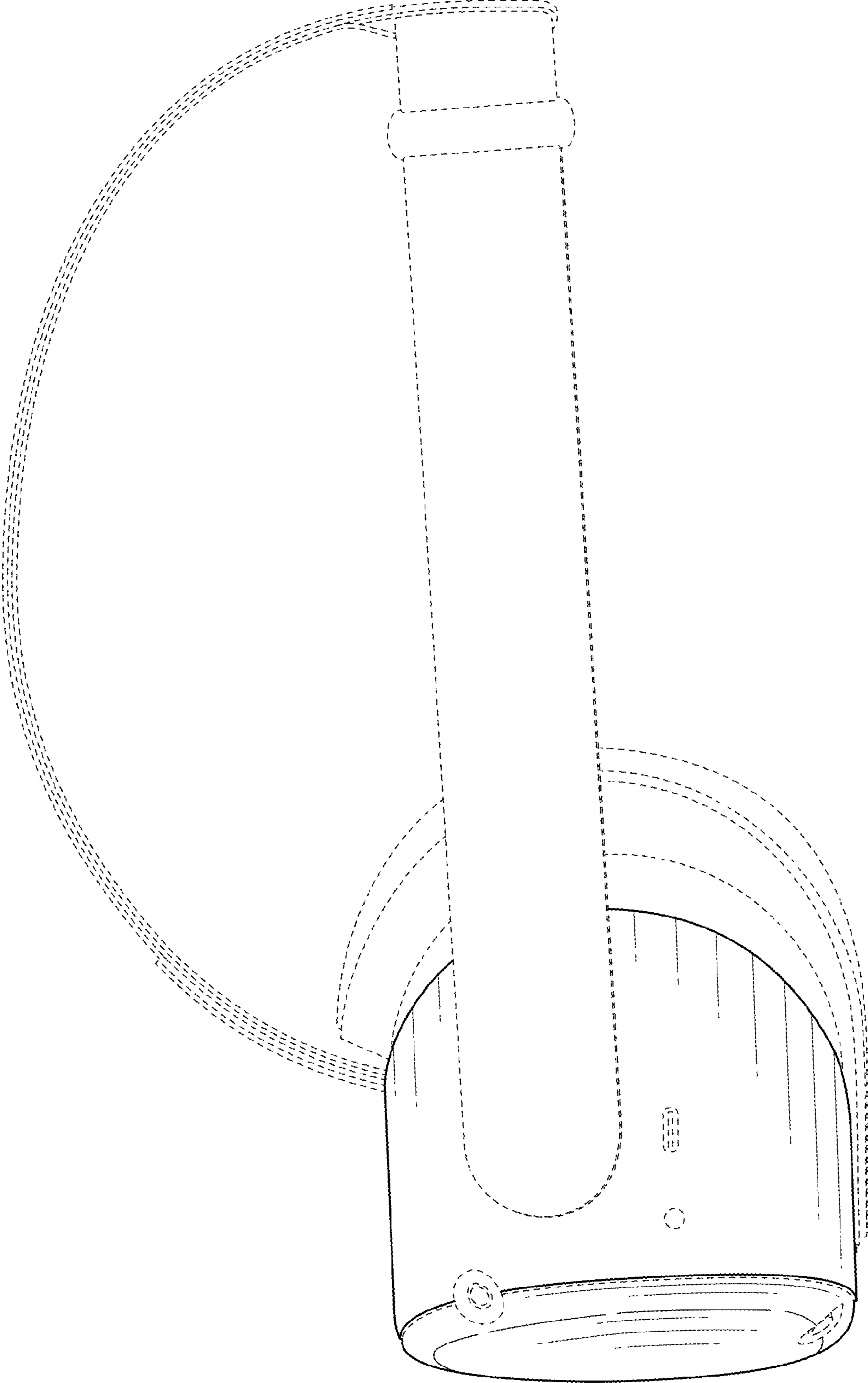


FIG. 8