



US00D943575S

(12) **United States Design Patent**
Conlee, IV et al.

(10) **Patent No.:** **US D943,575 S**
(45) **Date of Patent:** **** Feb. 15, 2022**

(54) **HEADSET**

(71) Applicant: **Valve Corporation**, Bellevue, WA (US)

(72) Inventors: **Carl Samuel Conlee, IV**, Seattle, WA (US); **Ivan A. McCracken**, Bellevue, WA (US); **Jeremy Adam Selan**, Kirkland, WA (US); **Quentin Smith**, Seattle, WA (US); **Dustin Michael Horn**, Seattle, WA (US); **Clement Gallois**, Seattle, WA (US)

(73) Assignee: **Valve Corporation**, Bellevue, WA (US)

(**) Term: **15 Years**

(21) Appl. No.: **29/777,475**

(22) Filed: **Apr. 6, 2021**

Related U.S. Application Data

(62) Division of application No. 29/732,386, filed on Apr. 23, 2020, now Pat. No. Des. 917,477, which is a division of application No. 29/702,185, filed on Aug. 16, 2019, now Pat. No. Des. 885,384, which is a division of application No. 29/644,686, filed on Apr. 19, 2018, now Pat. No. Des. 857,692.

(51) **LOC (13) Cl.** **14-02**

(52) **U.S. Cl.**
USPC **D14/372**

(58) **Field of Classification Search**
USPC D14/372, 496, 432, 371, 125, 126, 129, D14/299; D16/300-342; 351/158, 153, 351/144; 345/7-9, 905; 455/344; 348/115, 53, 121, 739
CPC G02B 27/017; G02B 27/0158; G02B 27/0161; G02B 27/0181; G02B 27/0185; G02B 27/0189

See application file for complete search history.

(56) **References Cited**

U.S. PATENT DOCUMENTS

D484,868 S	1/2004	Suzuki
D517,528 S	3/2006	Skulley
D518,479 S	4/2006	Skulley
D756,972 S	5/2016	Park et al.
D764,465 S	8/2016	Clement
D805,514 S	12/2017	Clement
D810,743 S	2/2018	Yee et al.
D813,232 S	3/2018	Clement
D815,637 S	4/2018	Li
D819,634 S	6/2018	Pang et al.
D819,635 S	6/2018	Miller et al.
D819,636 S	6/2018	Chen et al.

(Continued)

OTHER PUBLICATIONS

European Office Action dated Oct. 29, 2018 for European design application No. 005802832-0001, a counterpart foreign application of design U.S. Appl. No. 29/644,686, 4 pages.

Primary Examiner — Austin Murphy

(74) *Attorney, Agent, or Firm* — Lee & Hayes, P.C.

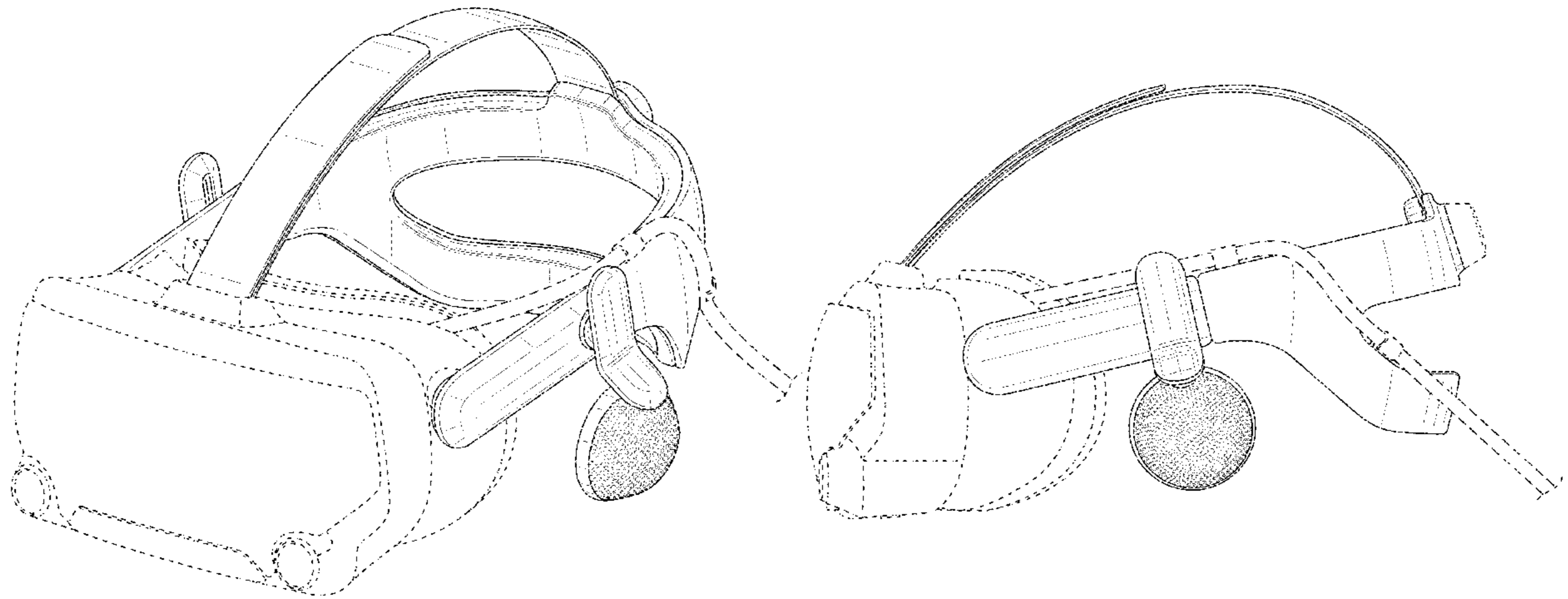
(57) **CLAIM**

The ornamental design for a headset, as shown and described.

DESCRIPTION

FIG. 1 is a top, front, right-side perspective view of a headset;
FIG. 2 is a front view thereof;
FIG. 3 is a back view thereof;
FIG. 4 is a left-side view thereof;
FIG. 5 is a right-side view thereof;
FIG. 6 is a top view thereof; and,
FIG. 7 is a bottom view thereof.
The broken lines depict portions of the headset that form no part of the claimed design.

1 Claim, 7 Drawing Sheets



(56)

References Cited

U.S. PATENT DOCUMENTS

D822,659	S	7/2018	Spio	
D826,898	S	8/2018	Kim et al.	
D827,642	S	9/2018	Liu et al.	
D829,208	S	9/2018	Dallmeyer et al.	
D830,359	S	10/2018	Gribetz et al.	
D831,029	S	10/2018	Gu	
D834,019	S	11/2018	Dallmeyer et al.	
D843,374	S	3/2019	Nieto et al.	
D857,692	S	8/2019	Conlee, IV et al.	
D859,408	S	9/2019	Natsume et al.	
D865,762	S	11/2019	Lau et al.	
D872,084	S	1/2020	Reed et al.	
D885,383	S *	5/2020	Chang	D14/372
D890,172	S *	7/2020	Wei	D14/372
D890,173	S *	7/2020	Wei	D14/372
D898,025	S *	10/2020	Bhat	D14/372
D902,290	S	11/2020	Newsom et al.	
D904,402	S *	12/2020	Marquis	D14/372
D916,702	S *	4/2021	Newsom	D14/372
D920,974	S *	6/2021	Chi	D14/372
D924,234	S *	7/2021	Meng	D14/372
D925,530	S *	7/2021	Morris	D14/372
D928,151	S *	8/2021	Hu	D14/372
D929,401	S *	8/2021	Chiang	D14/372
D931,277	S *	9/2021	Denhez	D14/372
2013/0285886	A1 *	10/2013	Pombo	G02B 27/0176 345/8

* cited by examiner

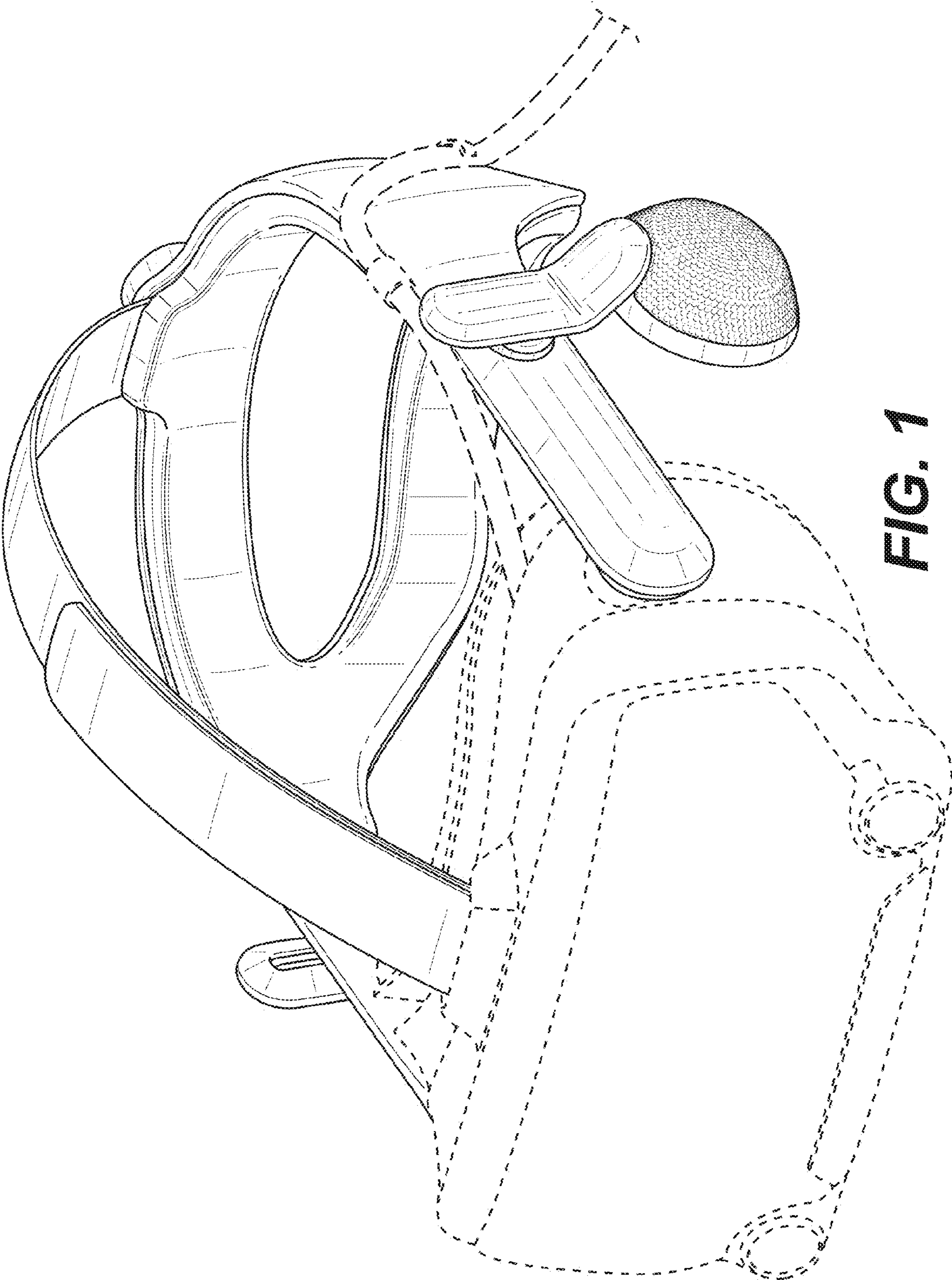


FIG. 1

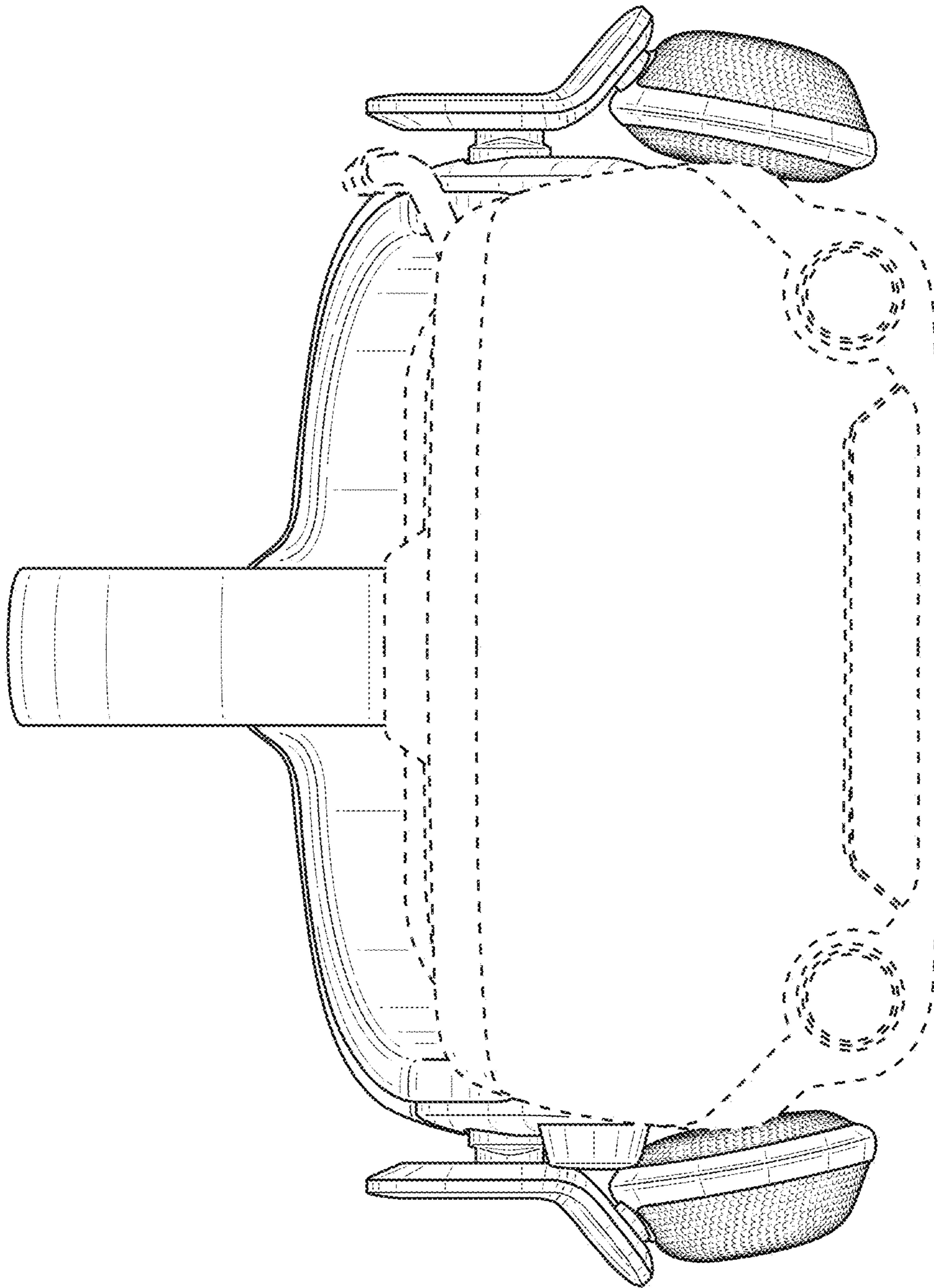


FIG. 2

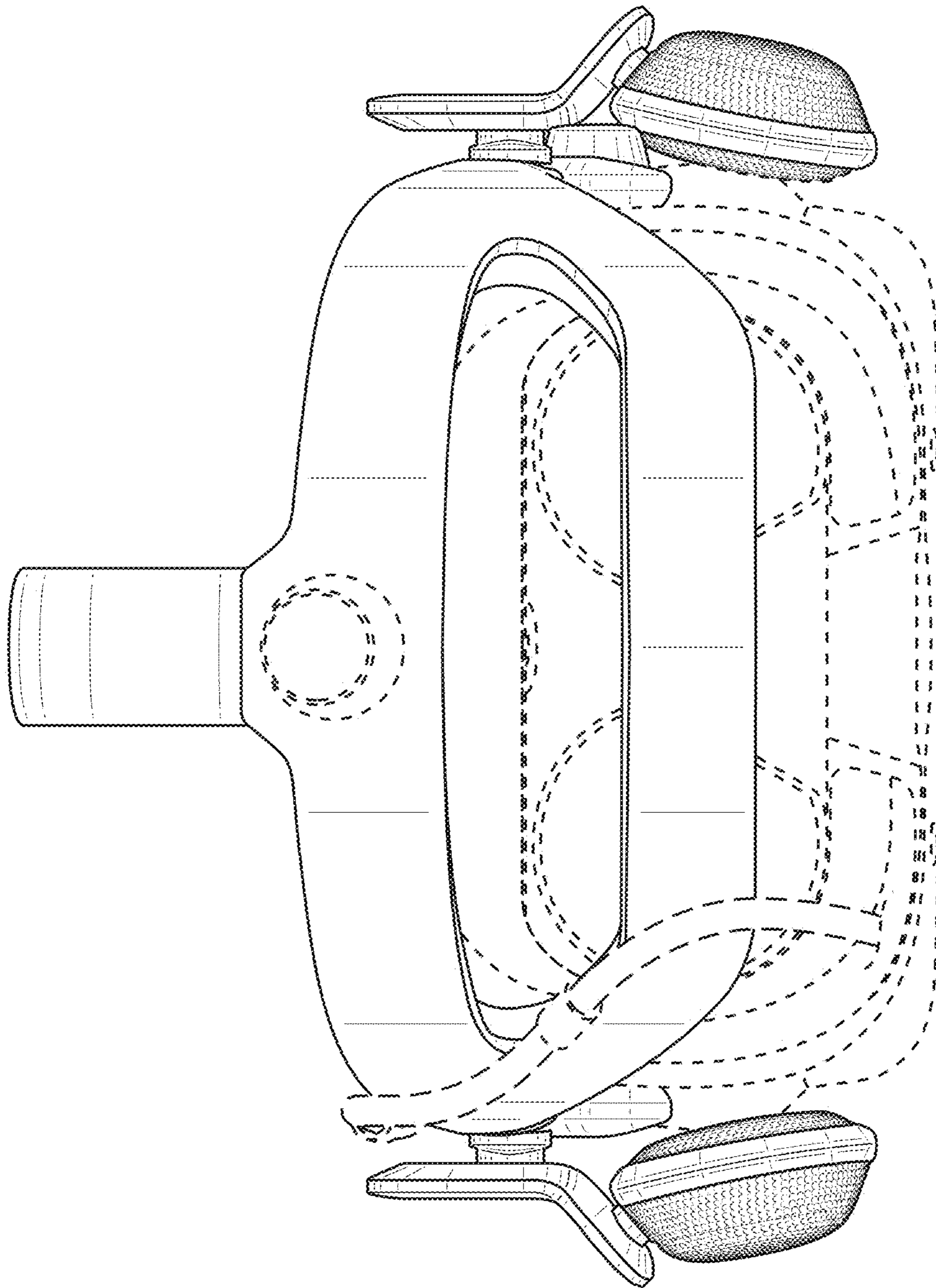


FIG. 3

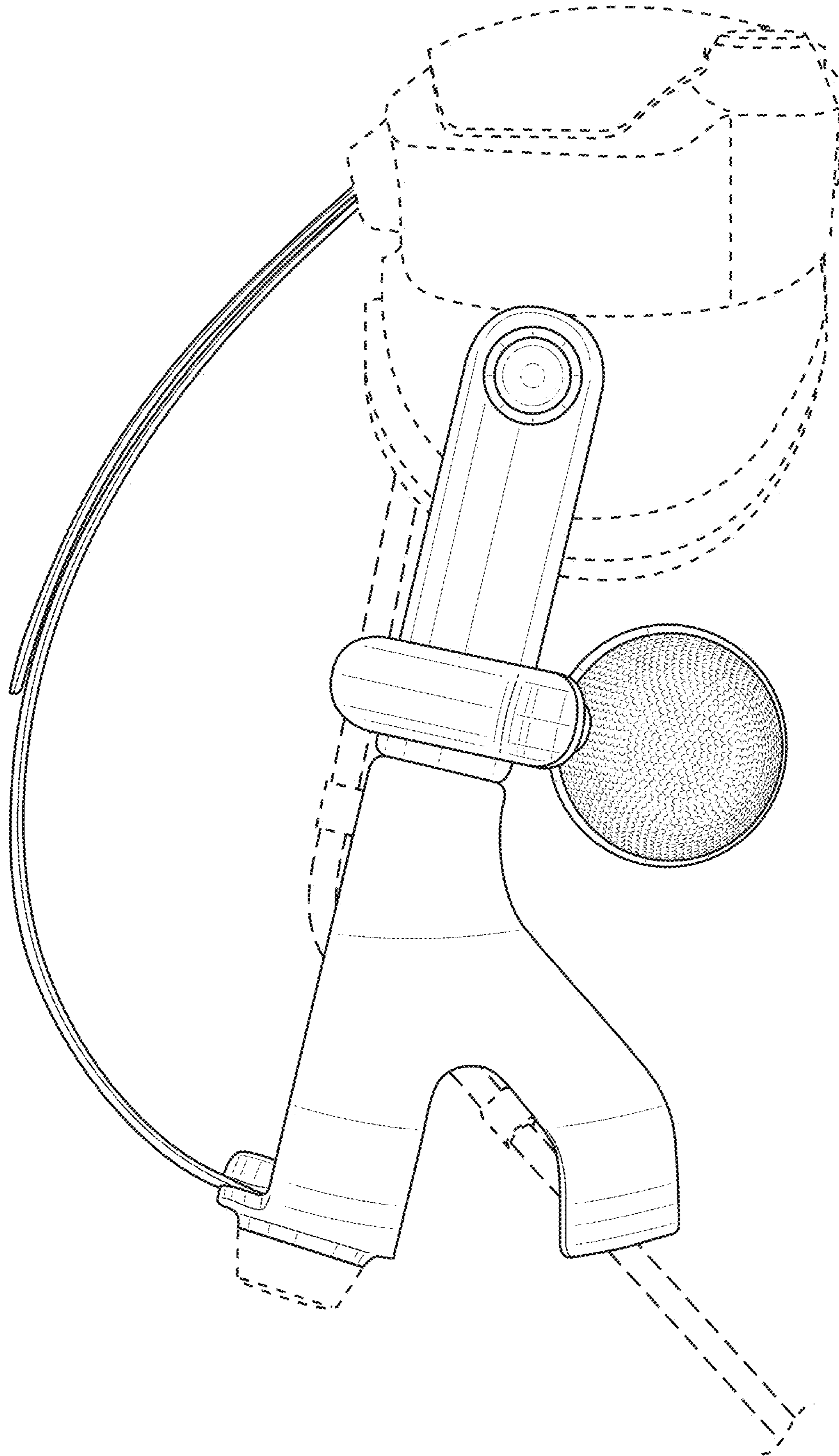


FIG. 4

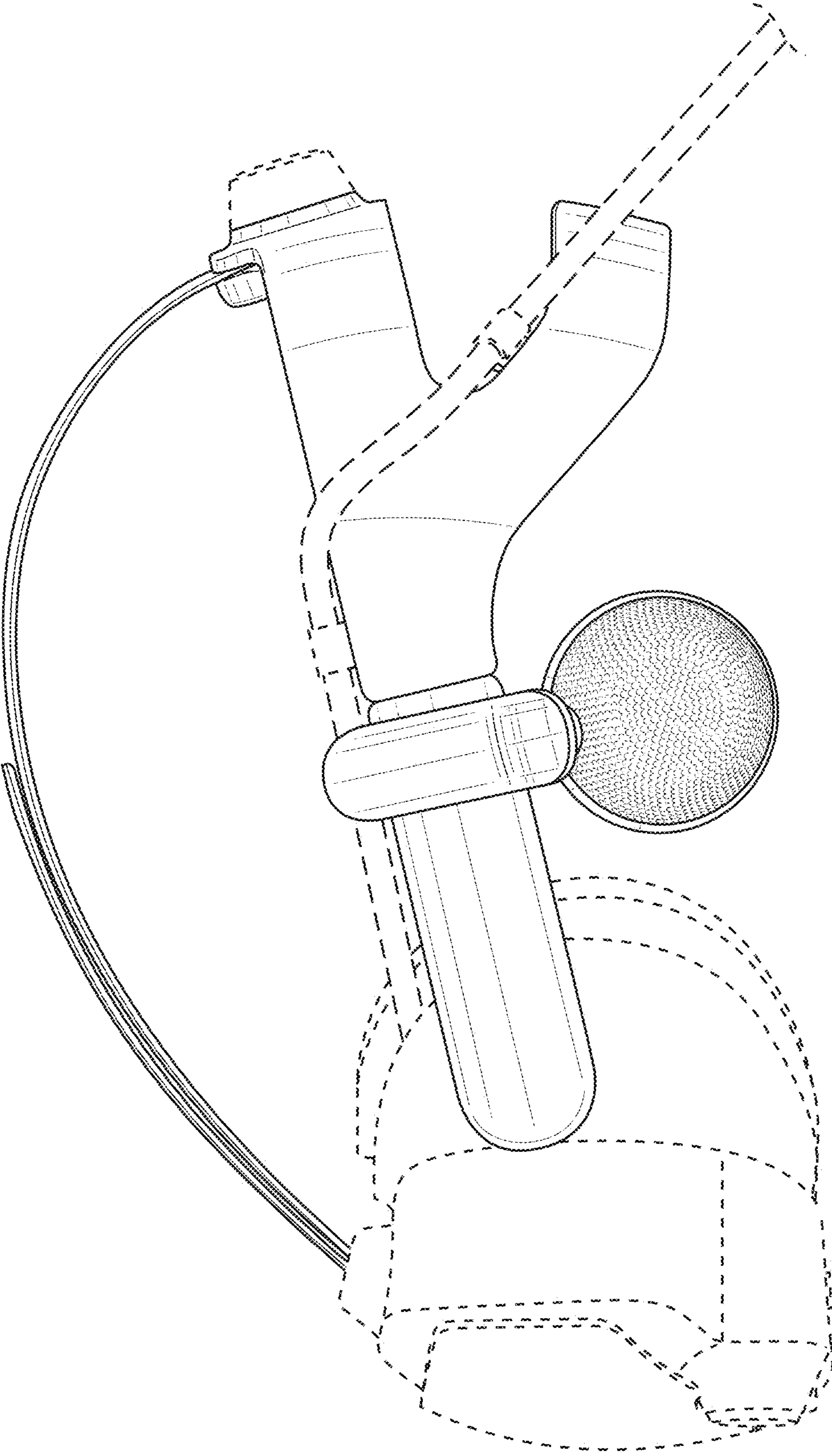


FIG. 5

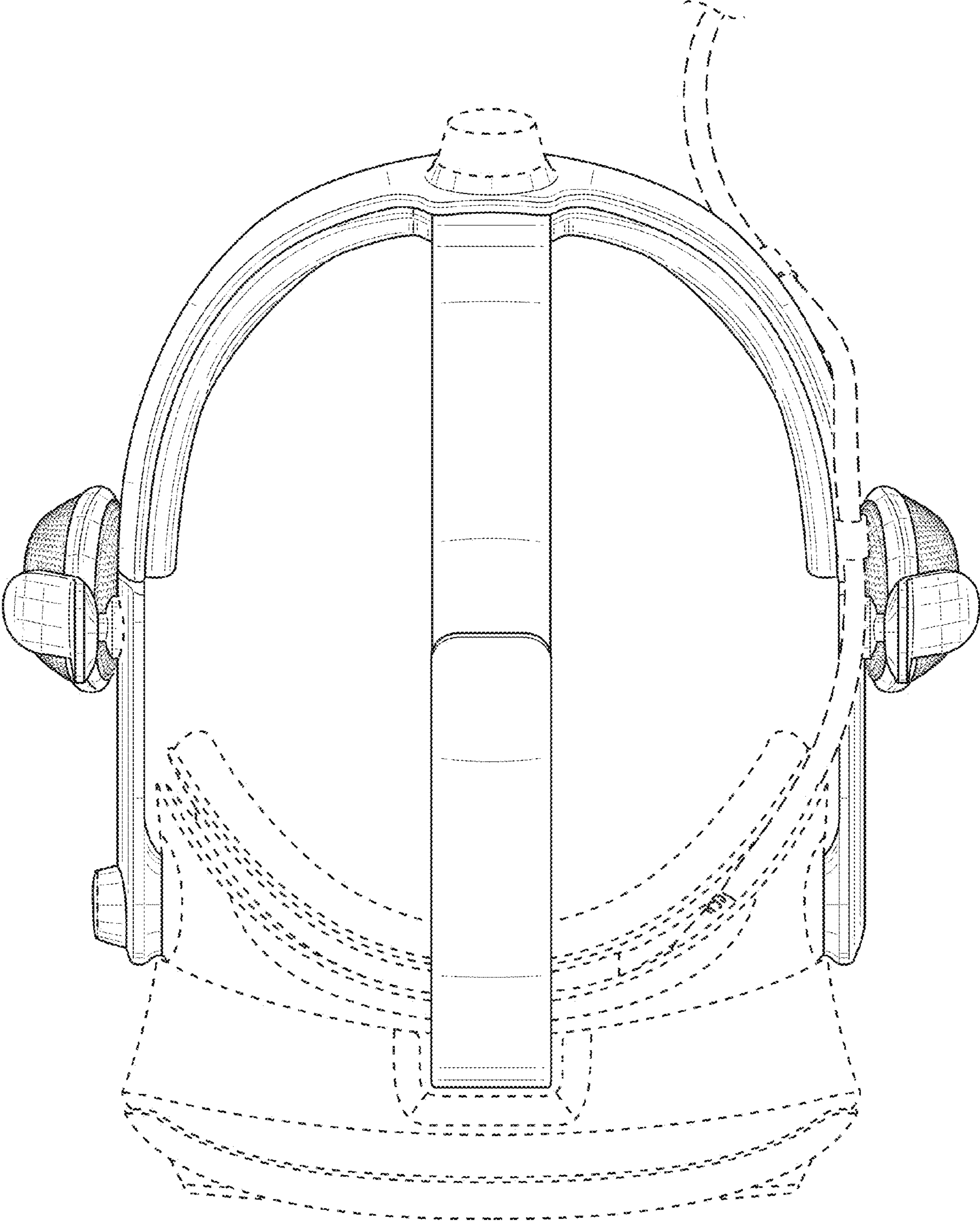


FIG. 6

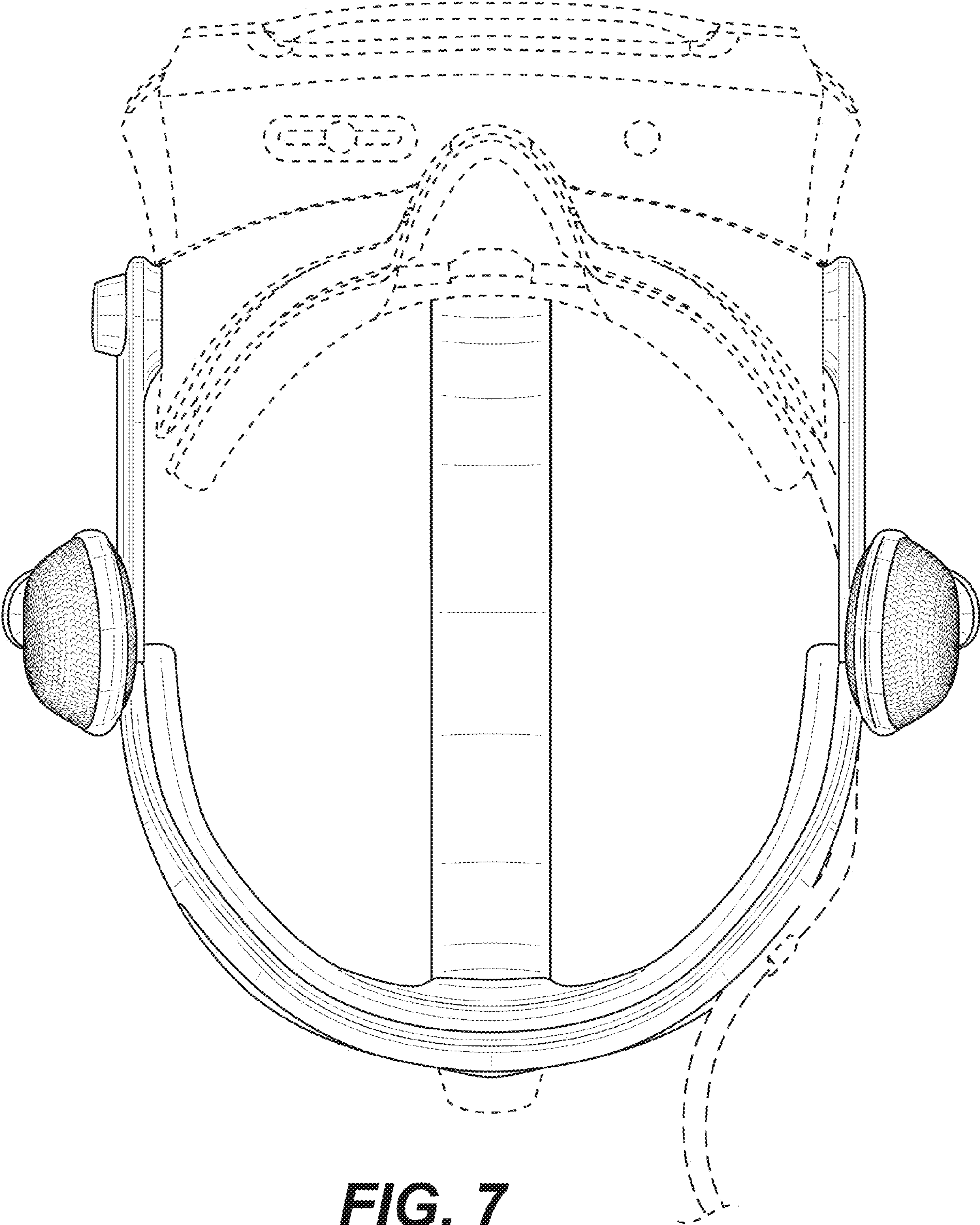


FIG. 7