



US00D943574S

(12) **United States Design Patent**
Lin et al.

(10) **Patent No.:** **US D943,574 S**

(45) **Date of Patent:** **** Feb. 15, 2022**

(54) **HEAD-MOUNTED DISPLAY DEVICE**

(71) Applicant: **Acer Incorporated**, New Taipei (TW)

(72) Inventors: **Li Lin**, New Taipei (TW); **Ker-Wei Lin**, New Taipei (TW); **Chun-Ta Chen**, New Taipei (TW); **Chun-Yu Chen**, New Taipei (TW); **Hao-Ming Chang**, New Taipei (TW)

(73) Assignee: **Acer Incorporated**, New Taipei (TW)

(**) Term: **15 Years**

(21) Appl. No.: **29/748,922**

(22) Filed: **Sep. 1, 2020**

(30) **Foreign Application Priority Data**

May 13, 2020 (TW) 109302533

(51) **LOC (13) Cl.** **07-05**

(52) **U.S. Cl.**
USPC **D14/372**

(58) **Field of Classification Search**
USPC D14/372, 496, 432, 371, 125, 126, 129,
D14/299; D16/300-342; 351/153, 144;
348/53, 121, 739

CPC G02B 27/0158; G02B 27/0161; G02B
27/0181; G02B 27/0185; G02B 27/0189

See application file for complete search history.

(56) **References Cited**

U.S. PATENT DOCUMENTS

D831,027 S * 10/2018 Kim D14/372
D840,398 S * 2/2019 Li D14/372

D856,329 S * 8/2019 Wang D14/372
D868,143 S * 11/2019 Menachem D16/313
D870,727 S * 12/2019 Nie D14/372
D871,404 S * 12/2019 Denhez D14/372
D872,079 S * 1/2020 Huang D14/372
D872,081 S * 1/2020 Denhez D14/372
D881,189 S * 4/2020 Moon D14/372
D916,086 S * 4/2021 Zhang D14/372
D918,201 S * 5/2021 Huang D14/372
D925,529 S * 7/2021 Morris D14/372
D931,277 S * 9/2021 Denhez D14/372

* cited by examiner

Primary Examiner — Austin Murphy

(74) *Attorney, Agent, or Firm* — JCIPRNET

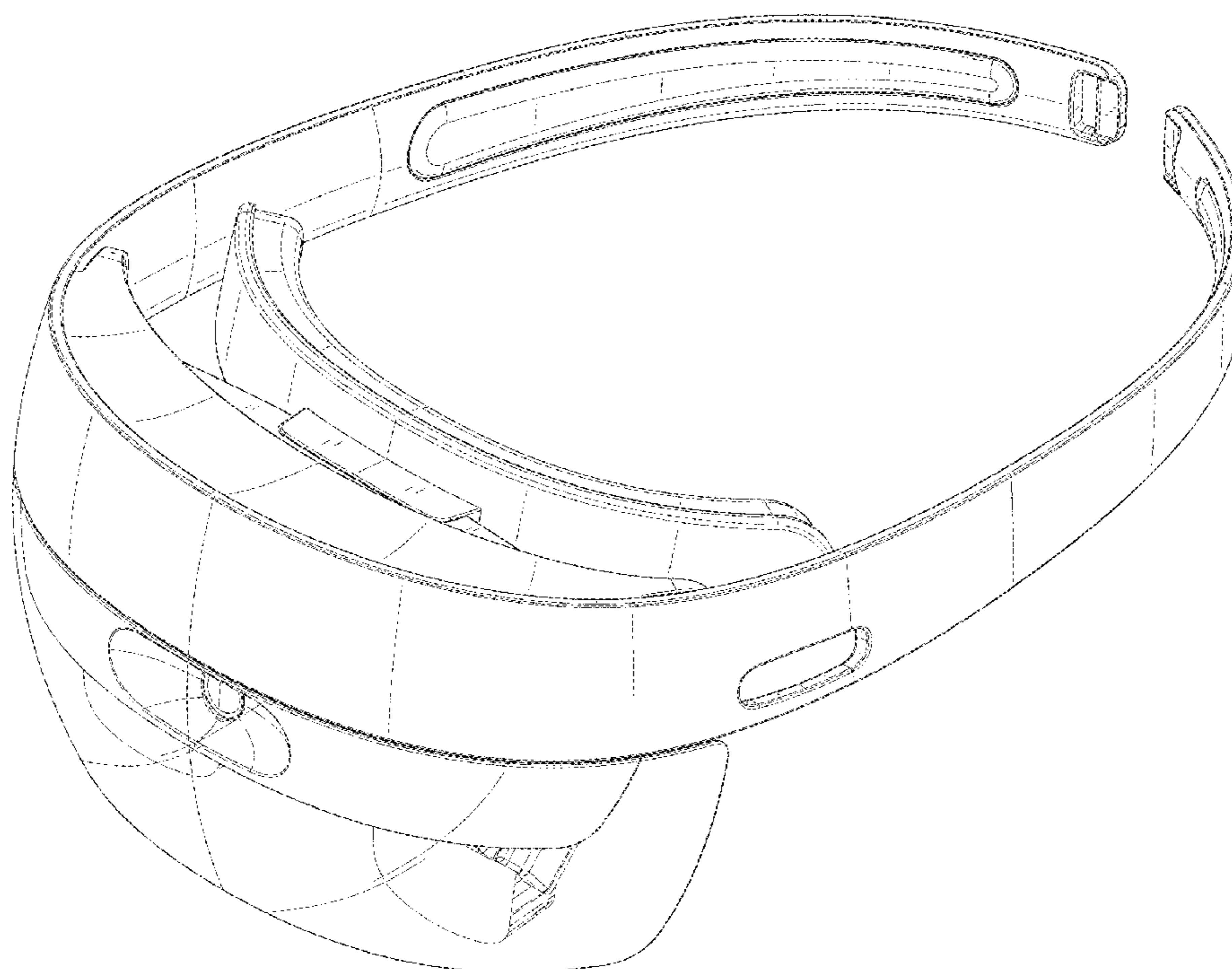
(57) **CLAIM**

The ornamental design for a head-mounted display device, as shown.

DESCRIPTION

FIG. 1 is a perspective view of a head-mounted display device showing our new design; FIG. 2 is another perspective thereof; FIG. 3 is a front view thereof; FIG. 4 is a rear view thereof; FIG. 5 is a left side view thereof; FIG. 6 is a right side view thereof; FIG. 7 is a top view thereof; and, FIG. 8 is a bottom view thereof.

1 Claim, 8 Drawing Sheets



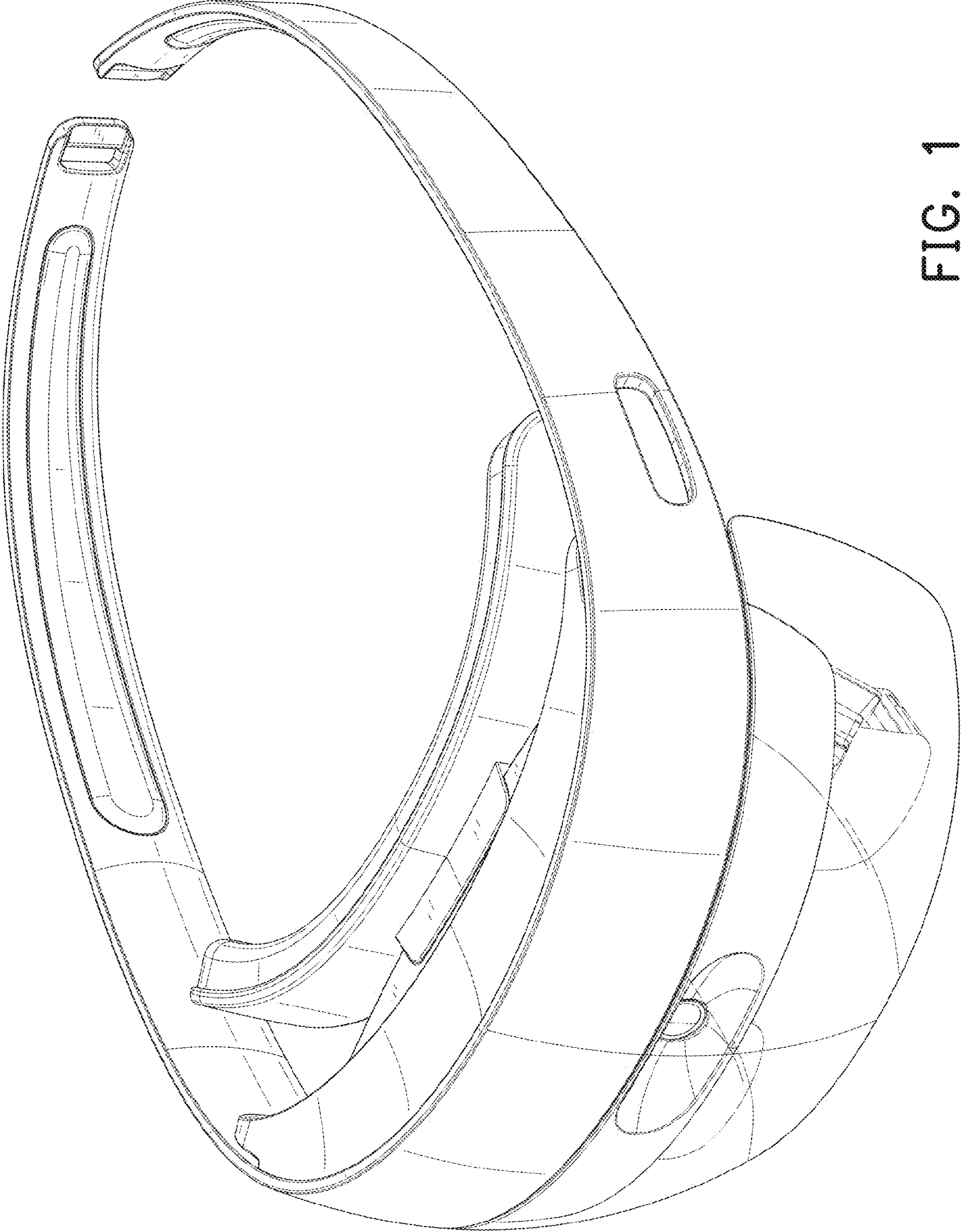


FIG. 1

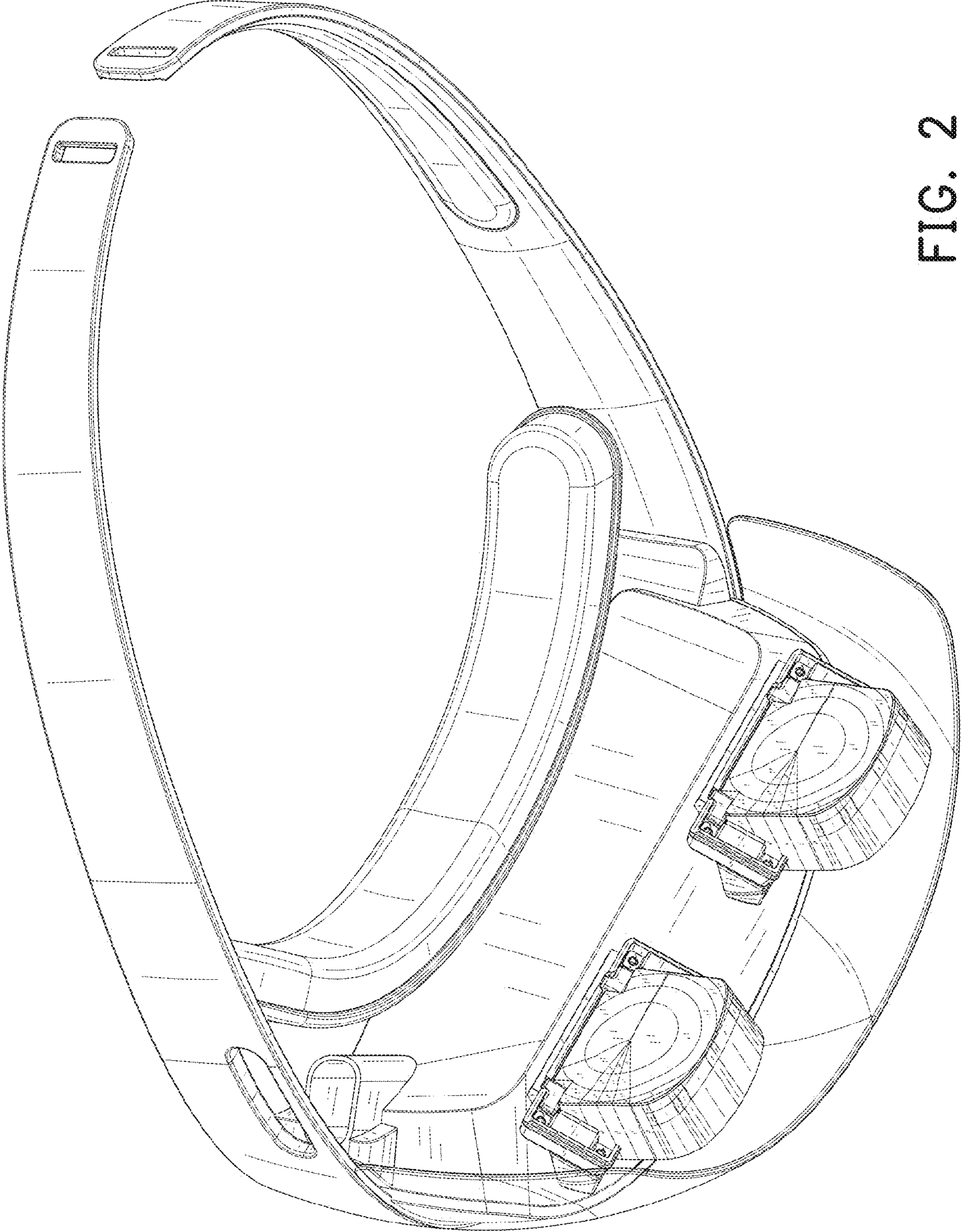


FIG. 2

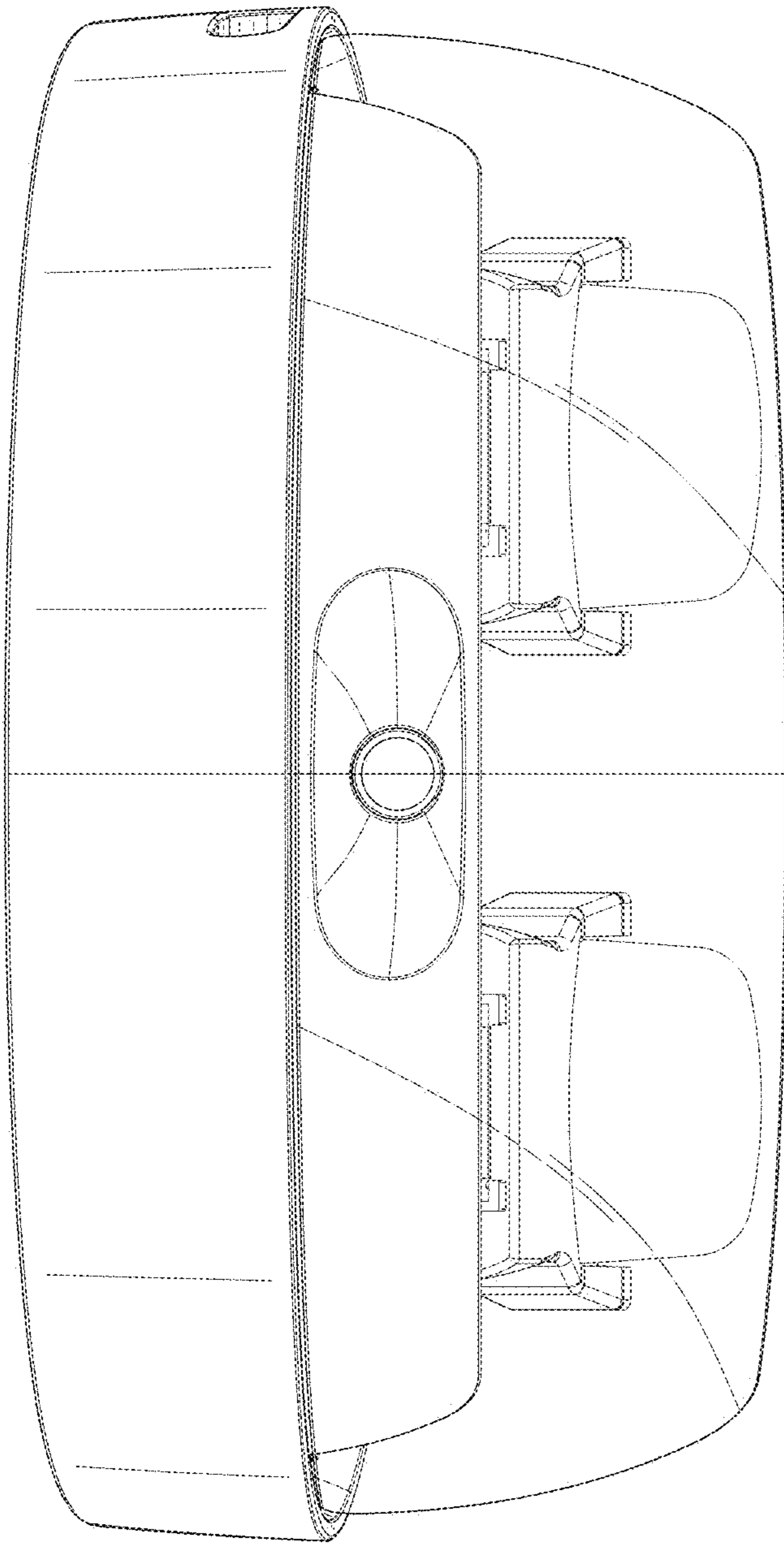


FIG. 3

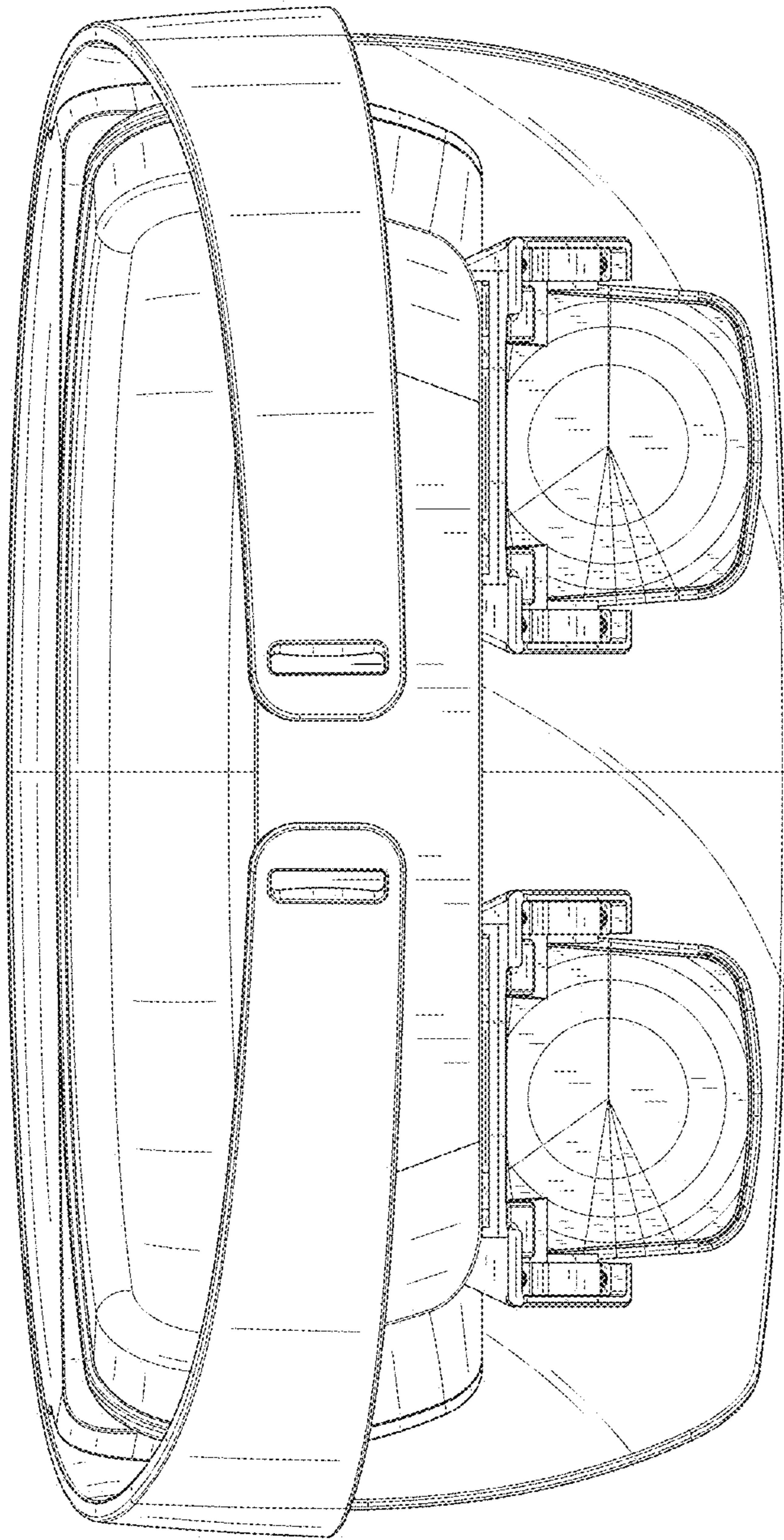


FIG. 4

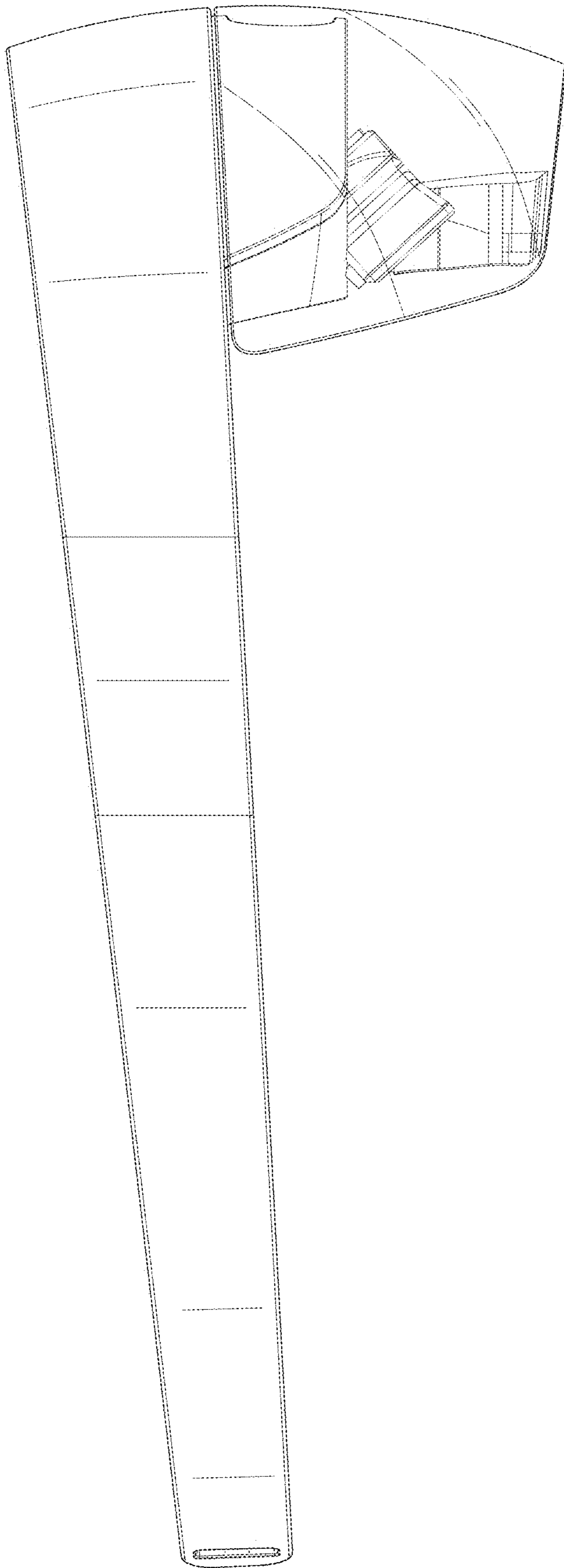


FIG. 5

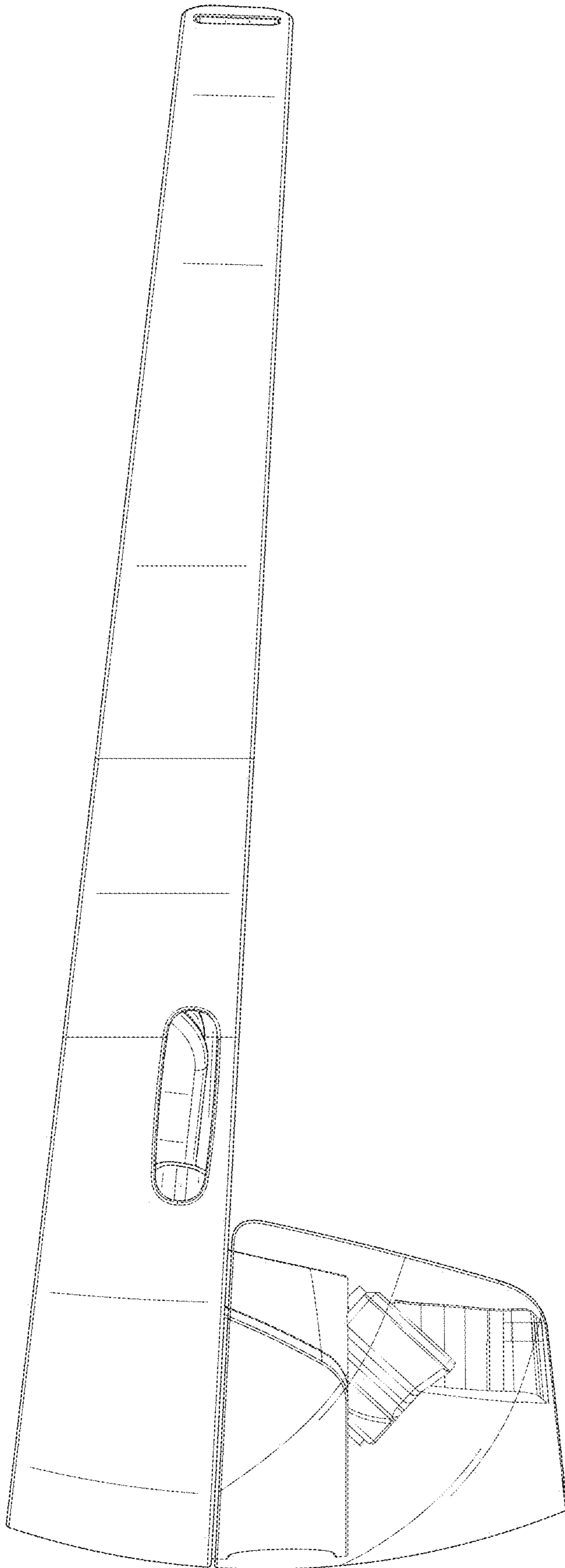


FIG. 6

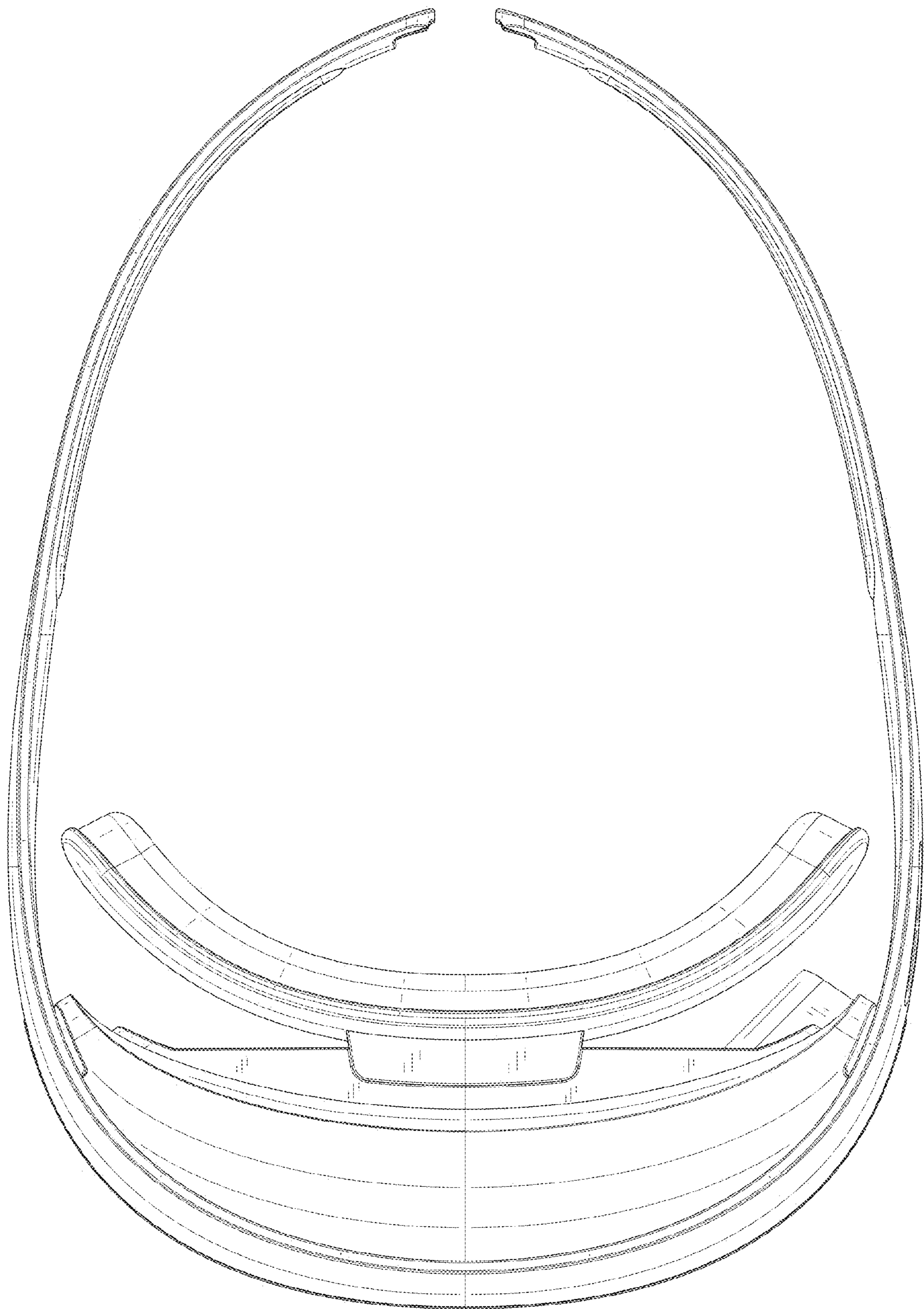


FIG. 7

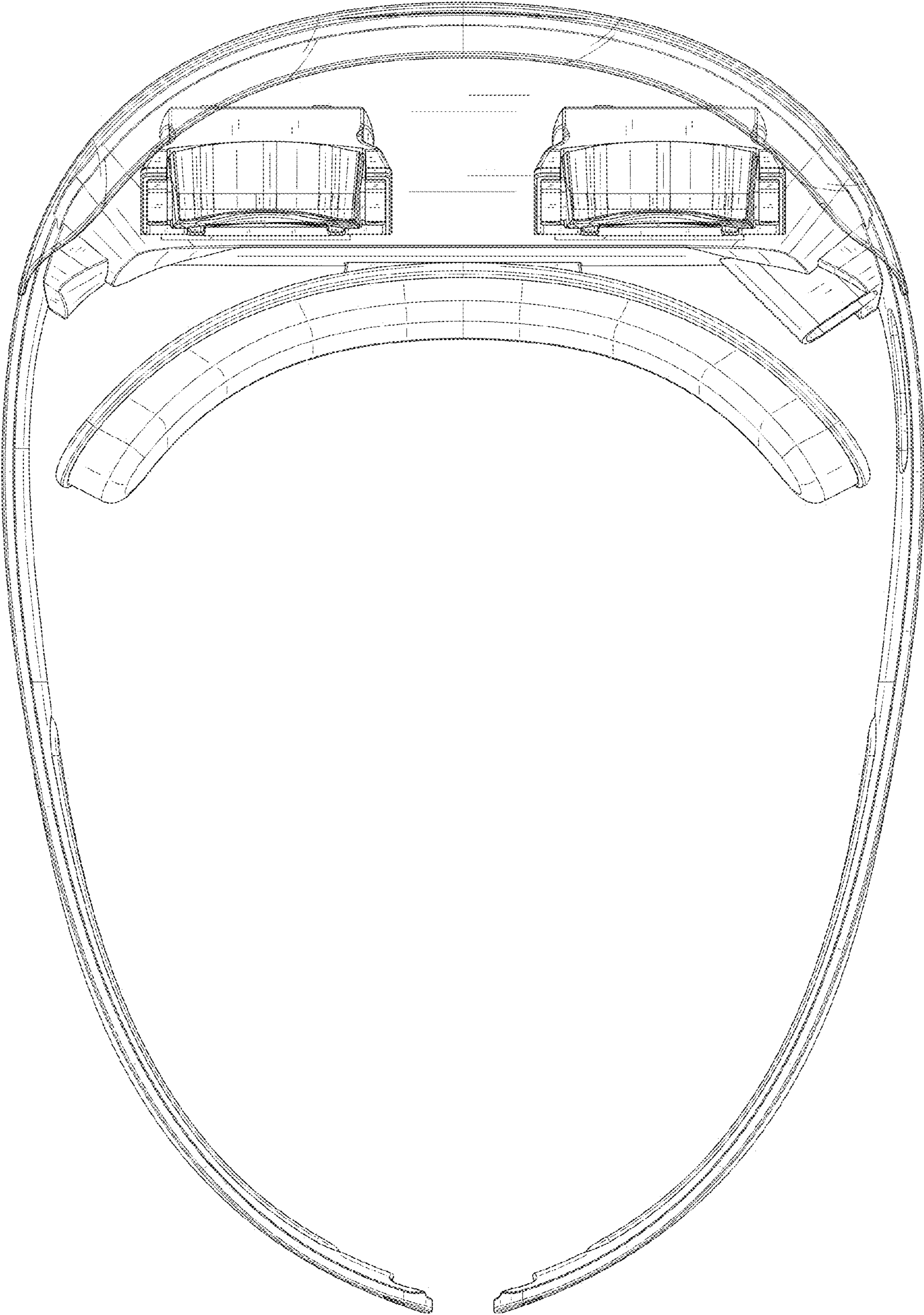


FIG. 8