



US00D943571S

(12) **United States Design Patent** (10) **Patent No.:** **US D943,571 S**
Deng (45) **Date of Patent:** **** Feb. 15, 2022**

(54) **MOBILE PHONE STAND**
(71) Applicant: **Xiaoming Deng**, Shenzhen (CN)
(72) Inventor: **Xiaoming Deng**, Shenzhen (CN)
(**) Term: **15 Years**

D873,205 S * 1/2020 MacNeil D12/415
D877,043 S * 3/2020 MacNeil D12/415
D878,279 S * 3/2020 MacNeil D12/415
D890,740 S * 7/2020 Khubani D14/253
D892,787 S * 8/2020 Chen D14/253
D913,273 S * 3/2021 Lan D14/253
2013/0342087 A1* 12/2013 Guran F16M 11/00
312/7.2

(21) Appl. No.: **29/737,387**
(22) Filed: **Jun. 9, 2020**
(51) **LOC (13) Cl.** **14-99**
(52) **U.S. Cl.**
USPC **D14/253**; D12/415
(58) **Field of Classification Search**
USPC D14/251-253, 224, 224.1, 432-434, 447,
D14/451, 452; D12/415, 426.1, 114, 223;
D16/242, 244, 245; D10/74; D3/218;
D13/108
CPC B60R 11/00; B60R 11/02; B60R 11/0241;
B60R 11/0252; B60R 2011/0003; B60R
2011/0005; B60R 2011/0008; H04M
1/04; H04B 1/3877; A45F 2200/0516;
A45F 2200/0525; H05K 5/02; H05K
5/0204; H05K 7/00; F16M 13/02; F16M
13/022; F16M 11/00; F16M 11/04; F16M
11/041; F16M 11/06
See application file for complete search history.

(56) **References Cited**
U.S. PATENT DOCUMENTS
D558,769 S * 1/2008 Krieger D13/108
D671,545 S * 11/2012 Guran D14/447
D700,175 S * 2/2014 Ohm D14/253
D700,176 S * 2/2014 Ohm D14/253
D840,409 S * 2/2019 Miller D14/447
D865,747 S * 11/2019 Sage D14/253

OTHER PUBLICATIONS

Kuelor Car Cup Holder Phone Mount . . . [online]. Date first available Nov. 29, 2018. [Retrieved from the Internet Jun. 26, 2021.] <URL: <https://www.amazon.com/Kuelor-Adjustable-Rotatable-Smartphones-Samsung/dp/B07KZKMJ69> >.*

* cited by examiner

Primary Examiner — Rebekah A Caruso

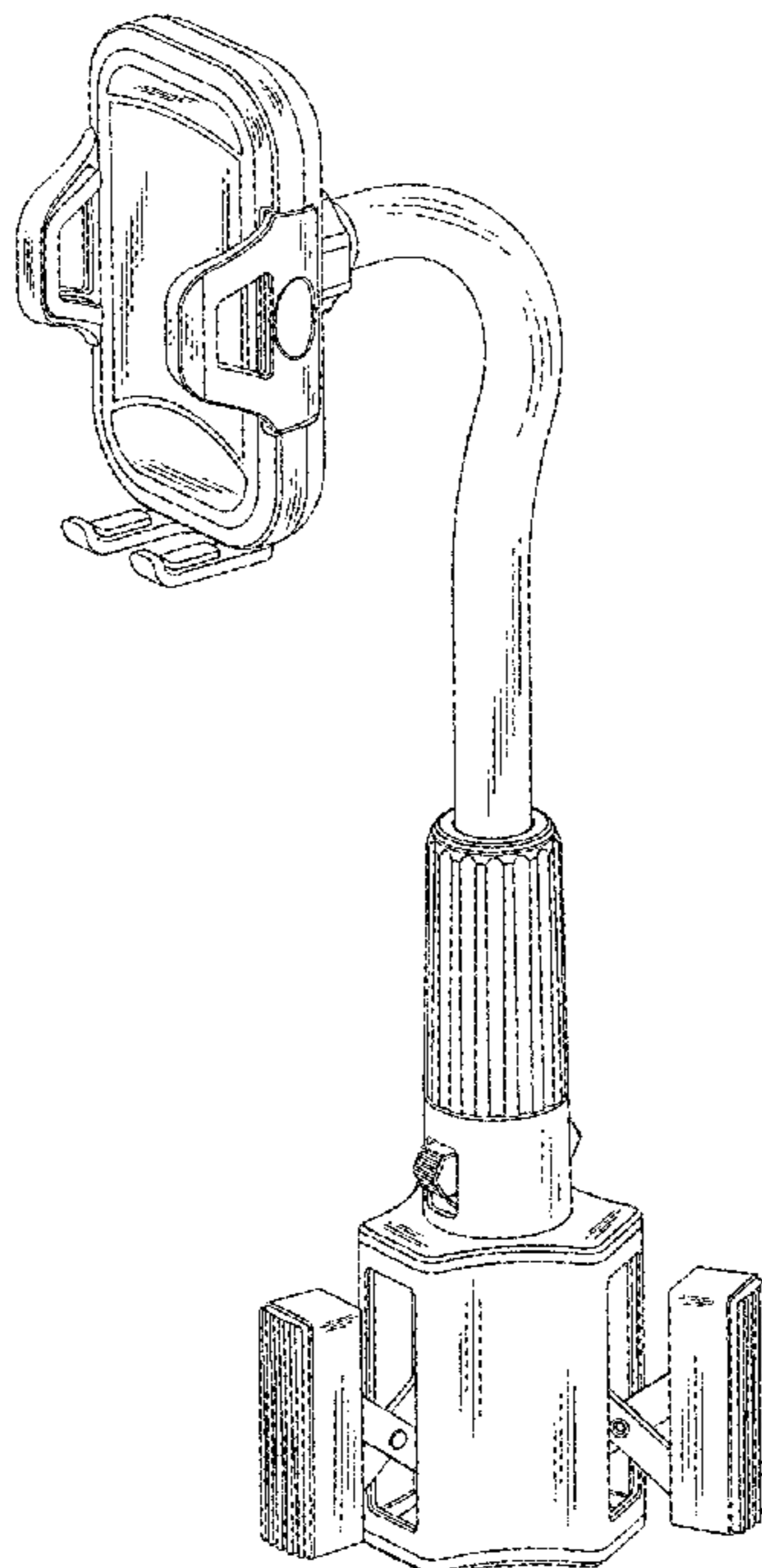
(57) **CLAIM**

The ornamental design for a mobile phone stand, as shown and described.

DESCRIPTION

FIG. 1 is a perspective view of a mobile phone stand showing my new design; FIG. 2 is a front elevation view thereof; FIG. 3 is a rear elevation view thereof; FIG. 4 is a left side elevation view thereof; FIG. 5 is a right side elevation view thereof; FIG. 6 is a top plan view thereof; and, FIG. 7 is a bottom plan view thereof. The broken lines depict portions of the mobile phone stand that form no part of the claimed design.

1 Claim, 7 Drawing Sheets



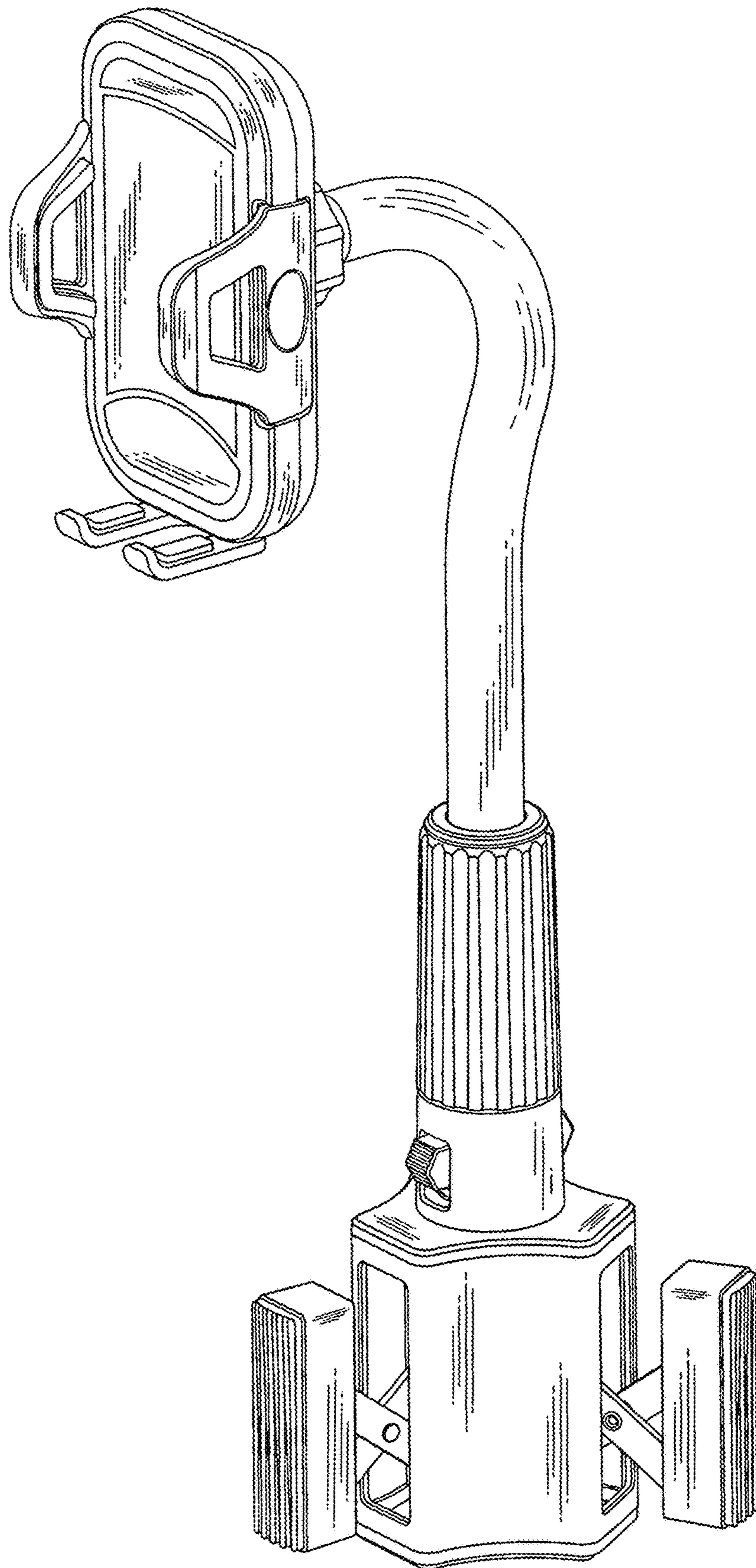


FIG. 1

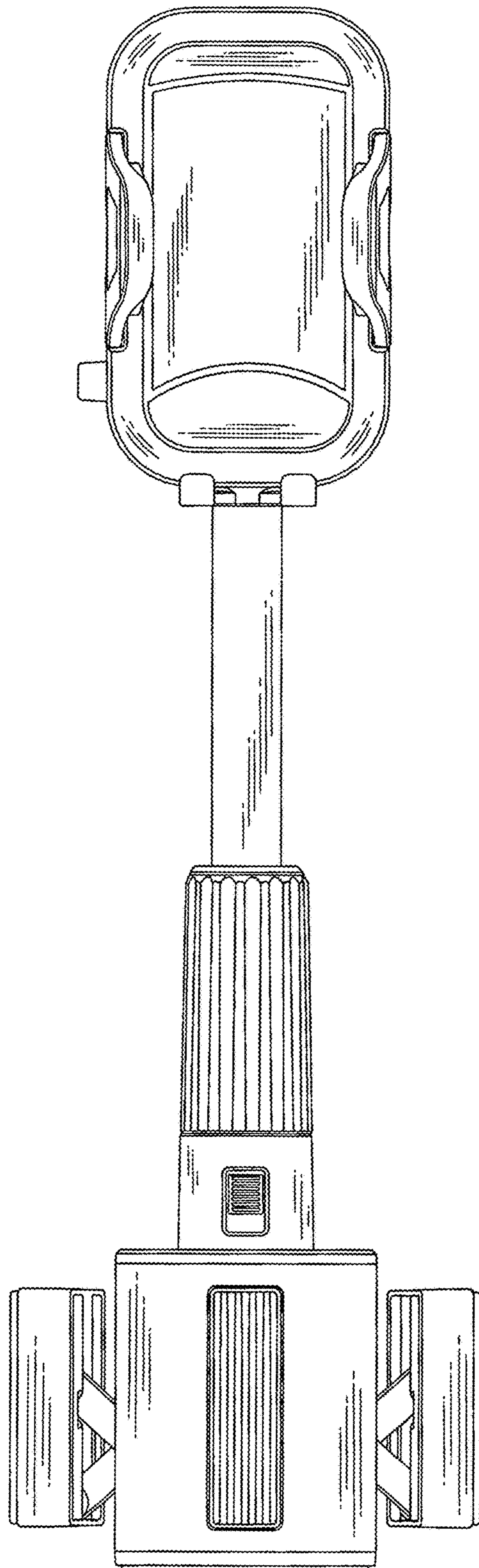


FIG. 2

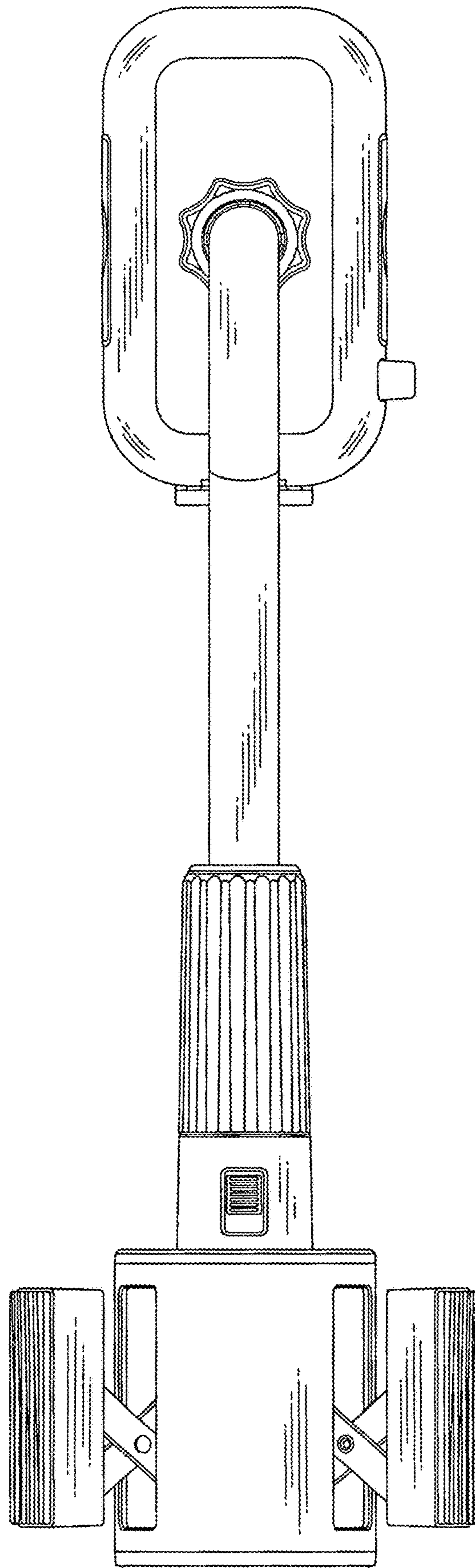


FIG. 3

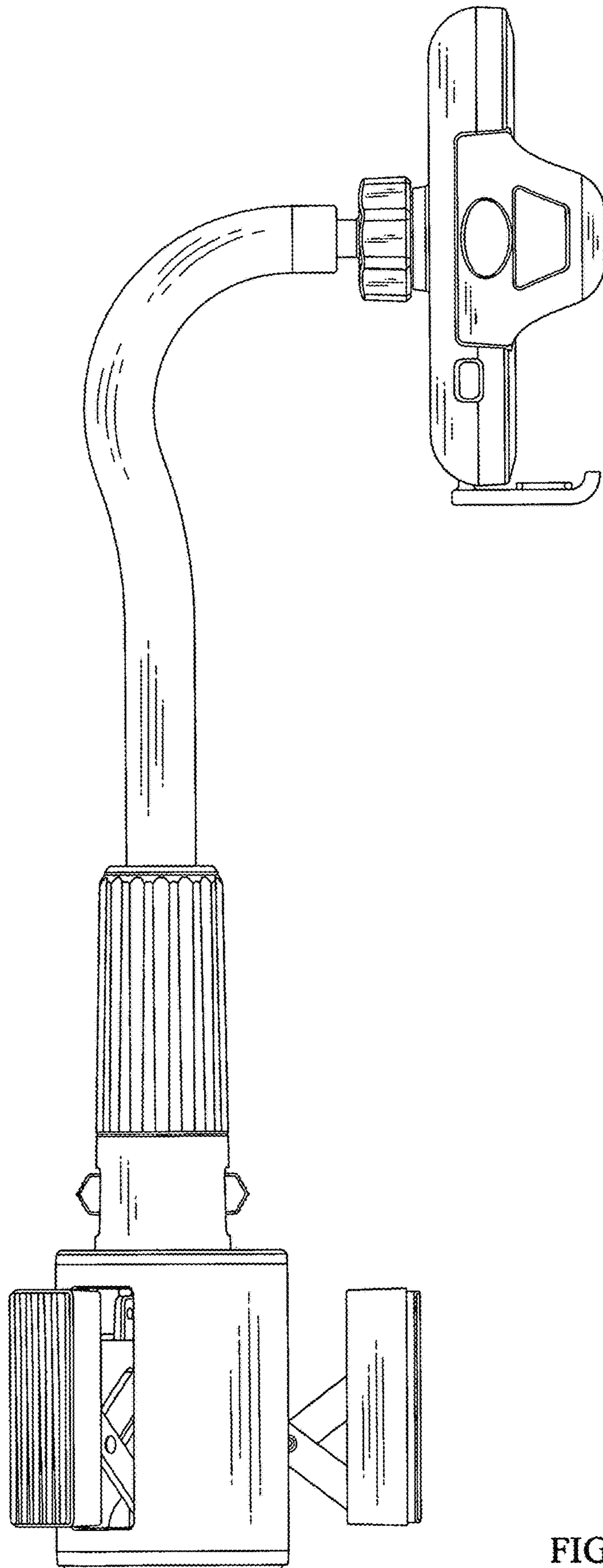


FIG. 4

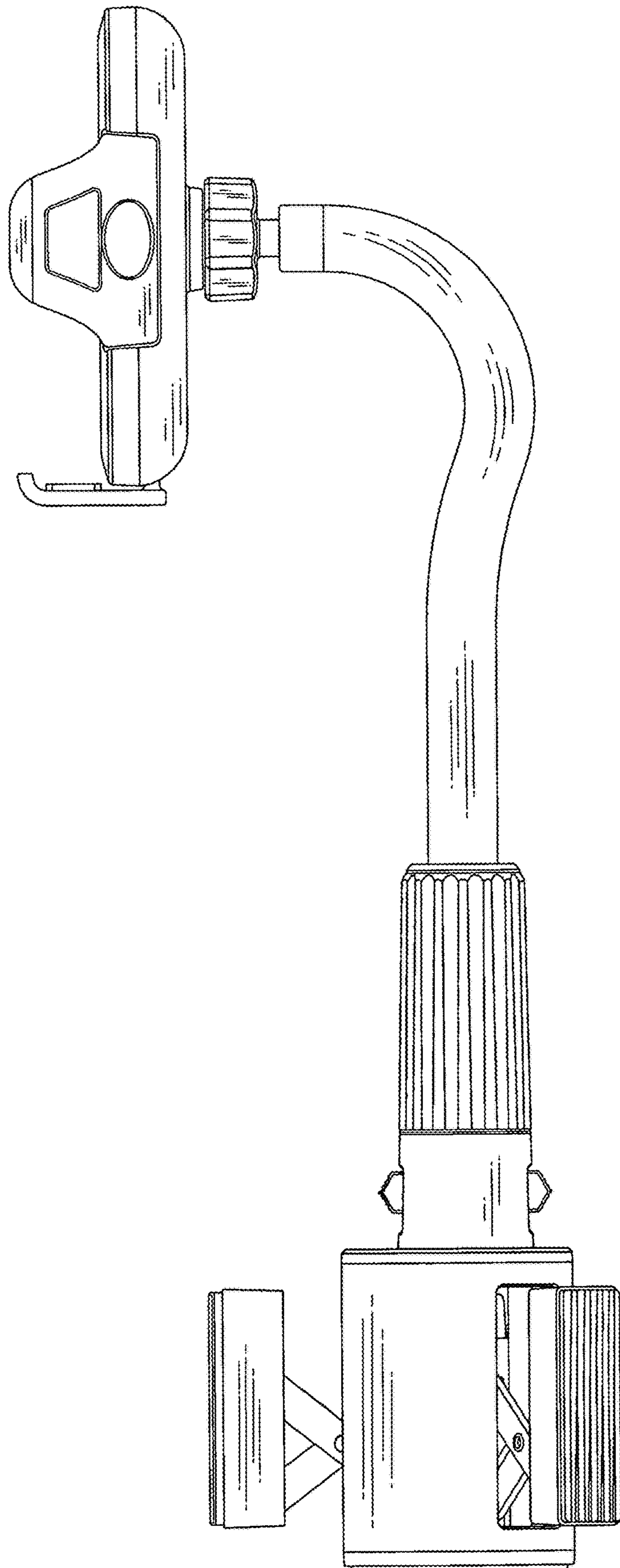


FIG. 5

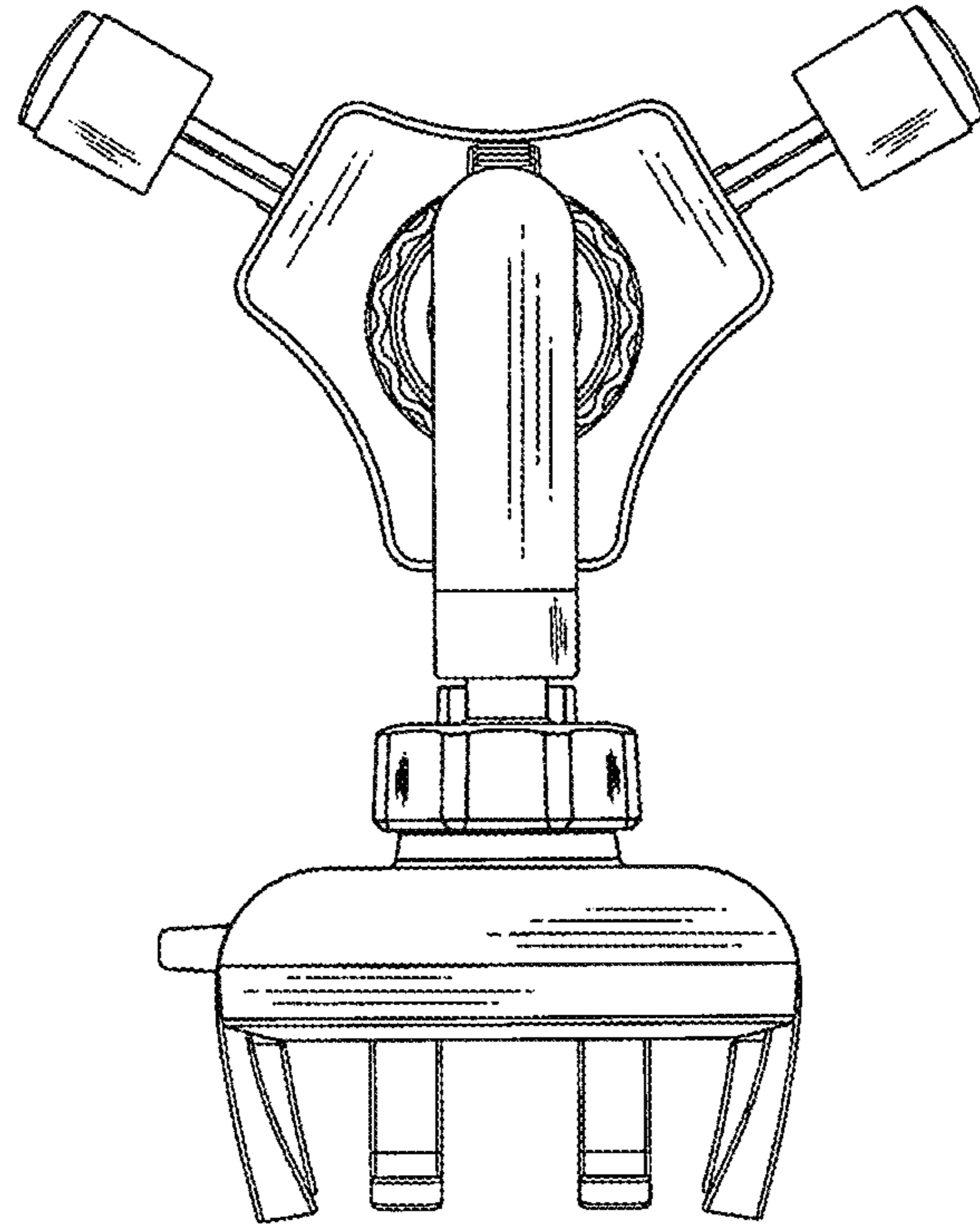


FIG. 6

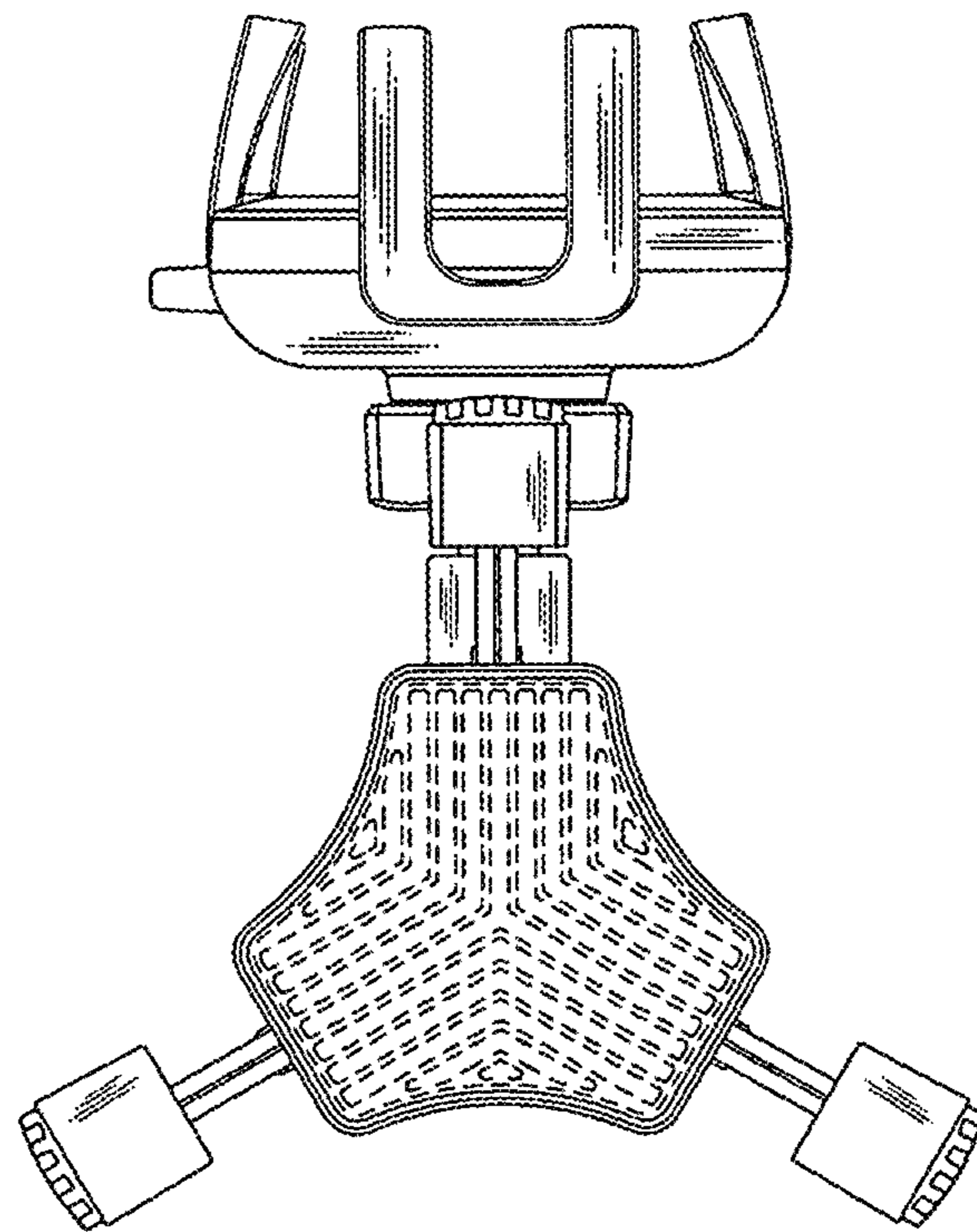


FIG. 7