



US00D943570S

(12) **United States Design Patent** (10) **Patent No.:** **US D943,570 S**
Kaiser et al. (45) **Date of Patent:** **** Feb. 15, 2022**

(54) **CELL PHONE MOUNTING FIXTURE**

(71) Applicants: **Erik A. Kaiser**, New York, NY (US);
Joshua David Kran, Endwell, NY
(US)

(72) Inventors: **Erik A. Kaiser**, New York, NY (US);
Joshua David Kran, Endwell, NY
(US)

(73) Assignee: **Erik A. Kaiser**, New York, NY (US)

(**) Term: **15 Years**

(21) Appl. No.: **29/729,474**

(22) Filed: **Mar. 26, 2020**

(51) **LOC (13) Cl.** **14-99**

(52) **U.S. Cl.**
USPC **D14/253**; D16/242

(58) **Field of Classification Search**
USPC D14/251–253, 224, 224.1, 432–434, 447,
D14/451, 452; D12/415, 426.1, 114, 223;
D16/242, 244, 245; D10/74; D3/218;
D13/108

CPC B60R 11/00; B60R 11/02; B60R 11/0241;
B60R 11/0252; B60R 2011/0003; B60R
2011/0005; B60R 2011/0008; H04M
1/04; H04B 1/3877; A45F 2200/0516;
A45F 2200/0525; H05K 5/02; H05K
5/0204; H05K 7/00; F16M 13/02; F16M
13/022; F16M 11/00; F16M 11/04; F16M
11/041; F16M 11/06

See application file for complete search history.

(56) **References Cited**

U.S. PATENT DOCUMENTS

D324,584 S * 3/1992 Beavers D26/140
D381,114 S * 7/1997 Xu D26/140
D670,284 S * 11/2012 Choi D14/253
D691,149 S * 10/2013 Breton D14/447
D723,311 S * 3/2015 Jiang D6/681

D739,410 S * 9/2015 Chun D14/447
D766,229 S * 9/2016 Manibog D14/252
D774,385 S * 12/2016 Kaiser D8/382
9,648,217 B2 5/2017 Kaiser
D790,751 S 6/2017 Kaiser
D822,877 S 7/2018 Kaiser
D843,433 S * 3/2019 Balmer D16/242
10,495,950 B2 12/2019 Kaiser
D894,197 S * 8/2020 Knapp D14/452
D922,395 S * 6/2021 Shu D14/452
D934,851 S * 11/2021 Kaiser D14/253

(Continued)

OTHER PUBLICATIONS

Owine Universal Dual Cell Phone Tripod Mount Adapter. . .
[online]. Date first available Jul. 14, 2020. [Retrieved from the
Internet Jun. 30, 2021.] <URL: <https://www.amazon.com/Owine-Smartphone-Compatible-Smartphones-Perfectly-Connects/dp/B08CX7FWKL/> >.*

Primary Examiner — Rebekah A Caruso

(74) *Attorney, Agent, or Firm* — Steven N. Fox, Esq.

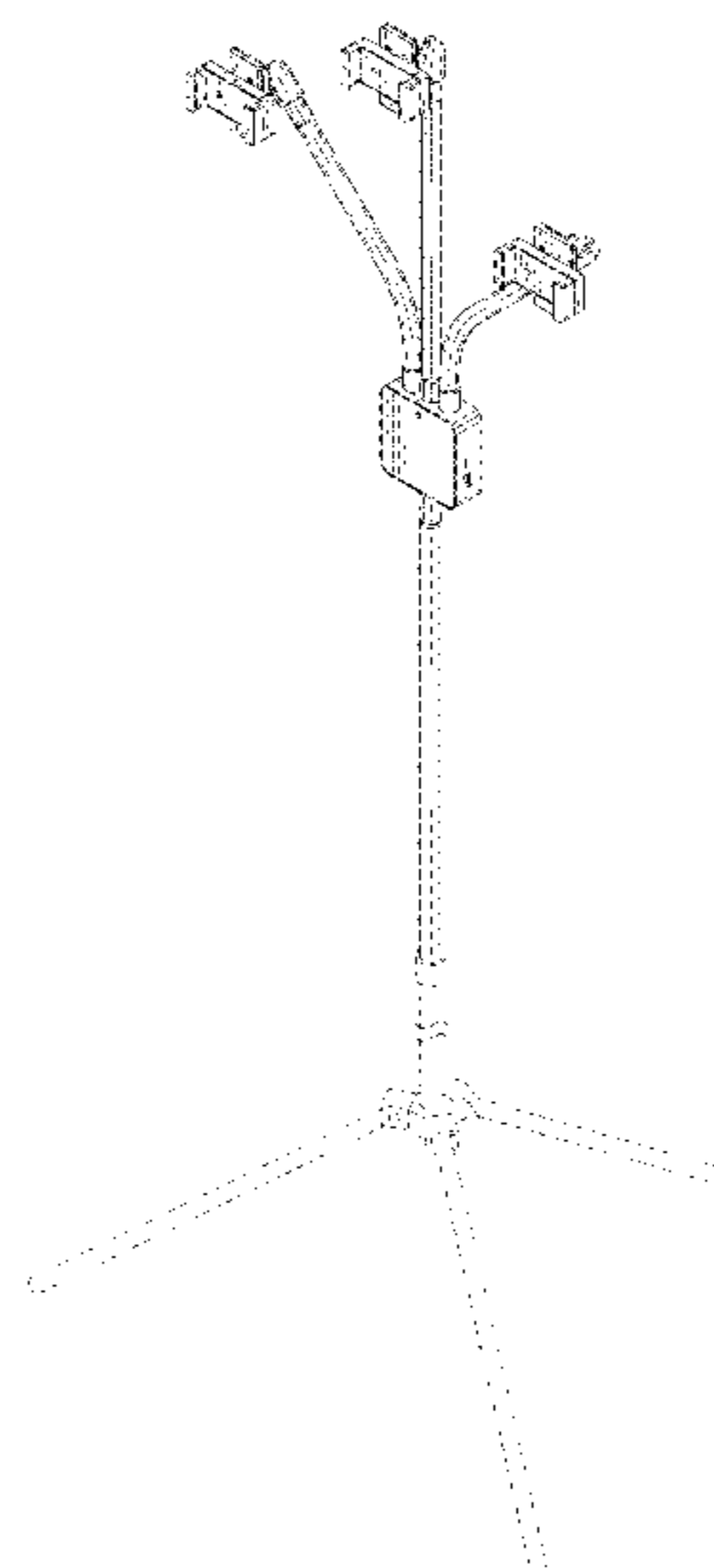
(57) **CLAIM**

The ornamental design for a cell phone mounting fixture, as shown and described.

DESCRIPTION

FIG. 1 is a front perspective view of a cell phone mounting fixture according to the present invention;
FIG. 2 is a front perspective view of a cell phone mounting fixture according to the present invention;
FIG. 3 is a right side view thereof;
FIG. 4 is a rear view thereof;
FIG. 5 is a left side view thereof;
FIG. 6 is a front view thereof;
FIG. 7 is a top view thereof; and,
FIG. 8 is a bottom view thereof.
Portions of the article shown in broken lines forms no part of the claimed design.

1 Claim, 5 Drawing Sheets



(56)

References Cited

U.S. PATENT DOCUMENTS

2021/0140579 A1* 5/2021 Arrizon F16M 11/40
2021/0165305 A1* 6/2021 Kaiser G03B 17/561
2021/0236368 A1* 8/2021 Fouts F16M 11/041

* cited by examiner

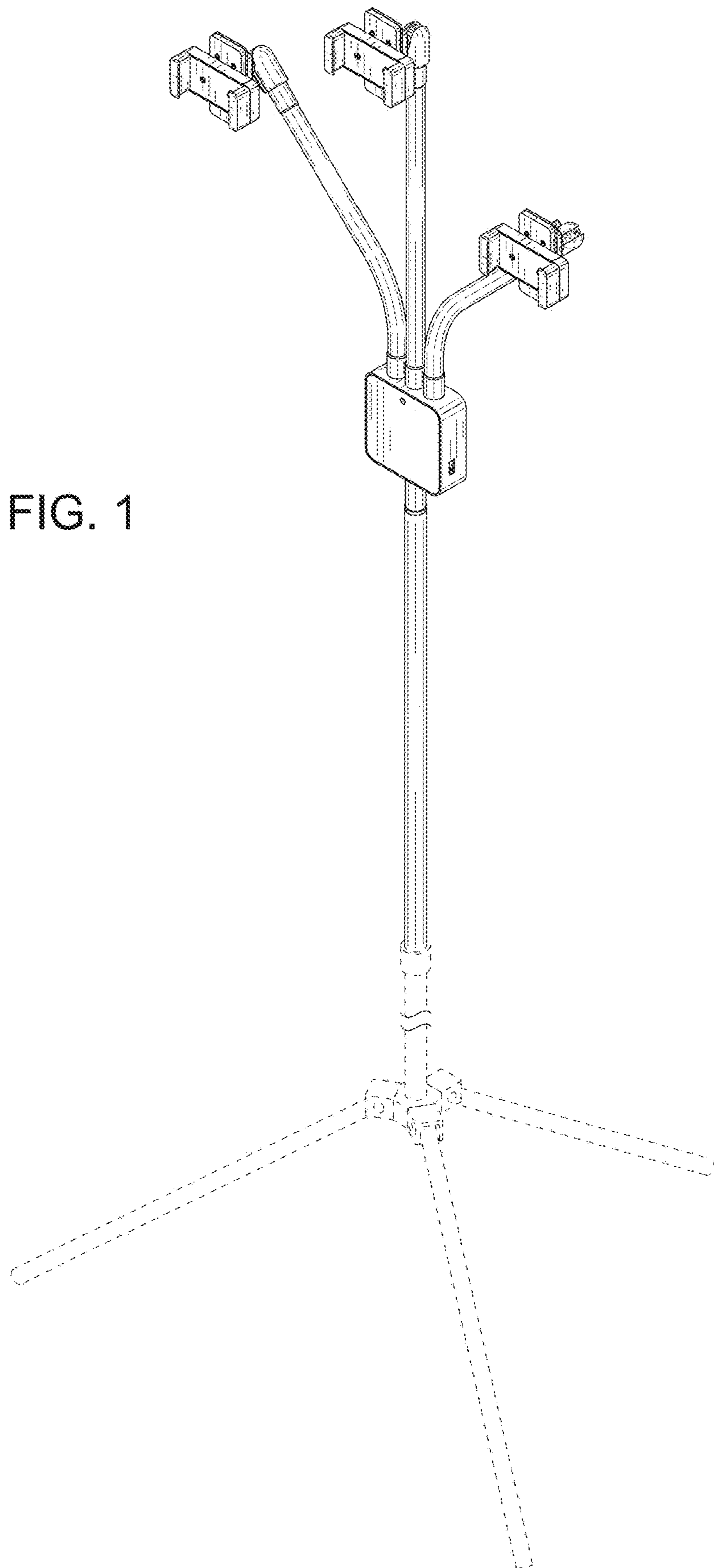


FIG. 1

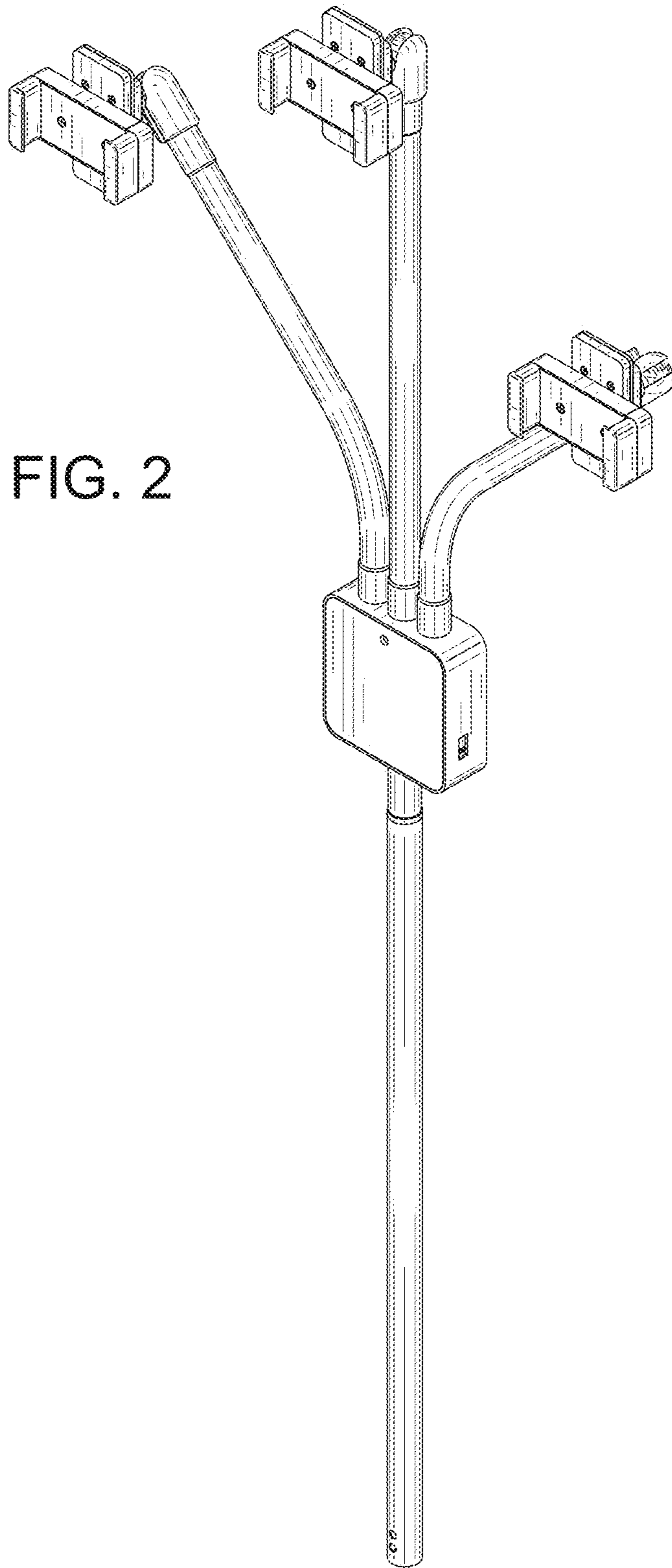


FIG. 2

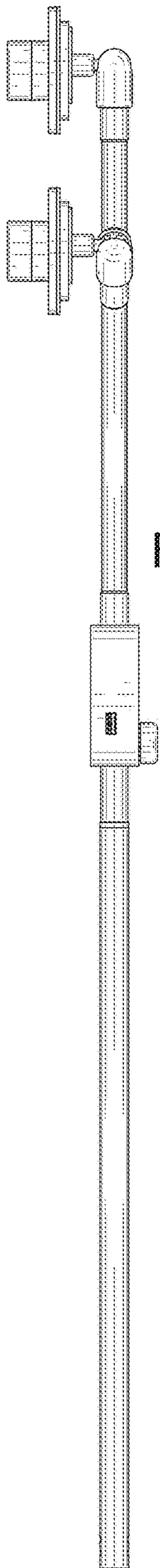


FIG. 3

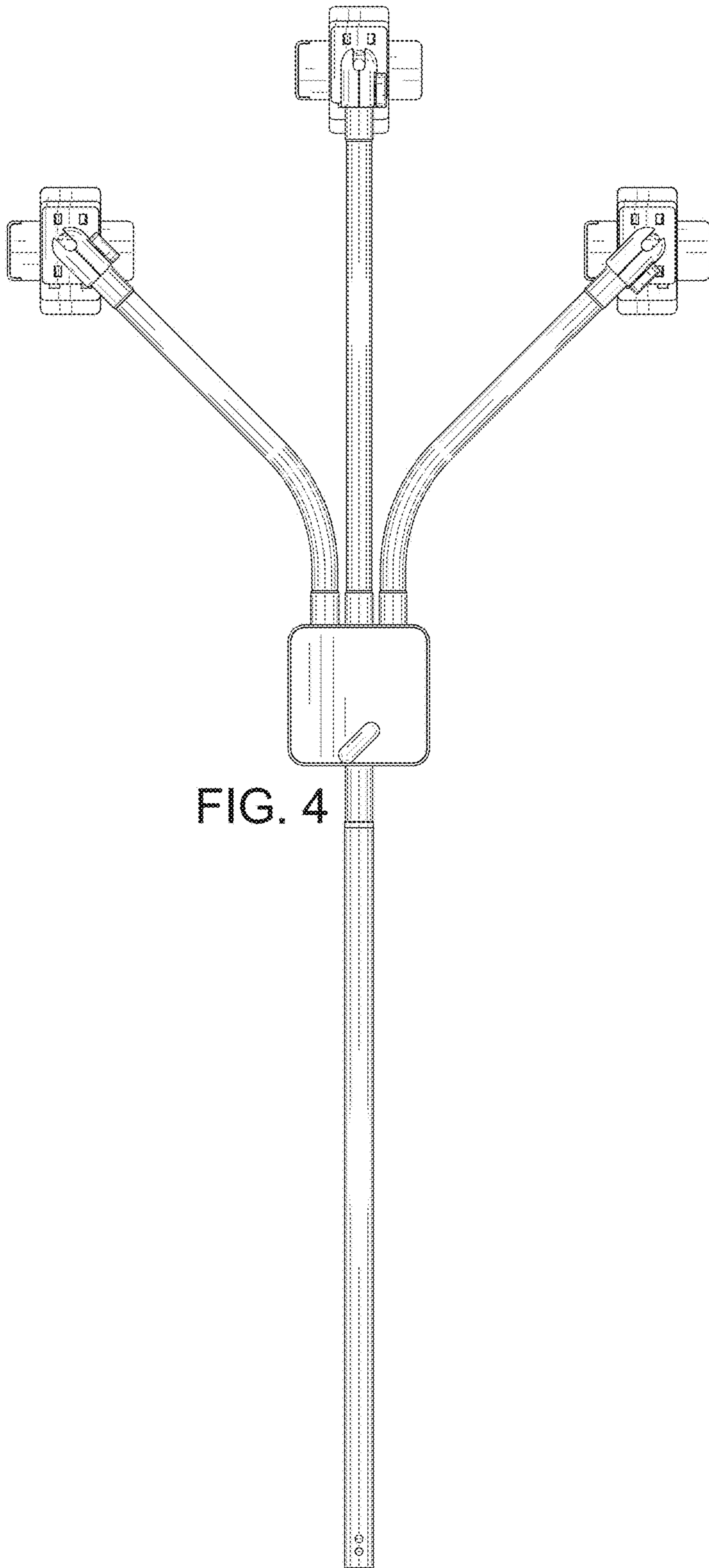


FIG. 4

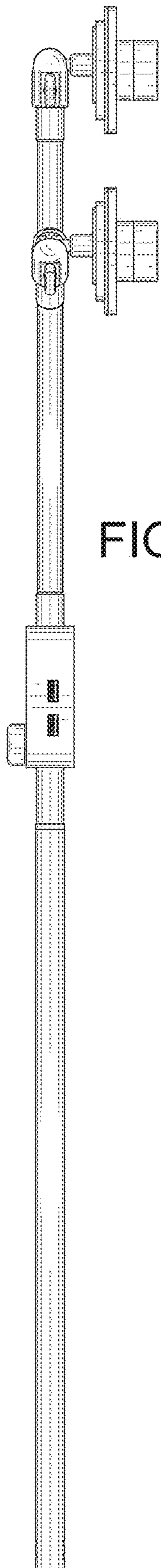


FIG. 5

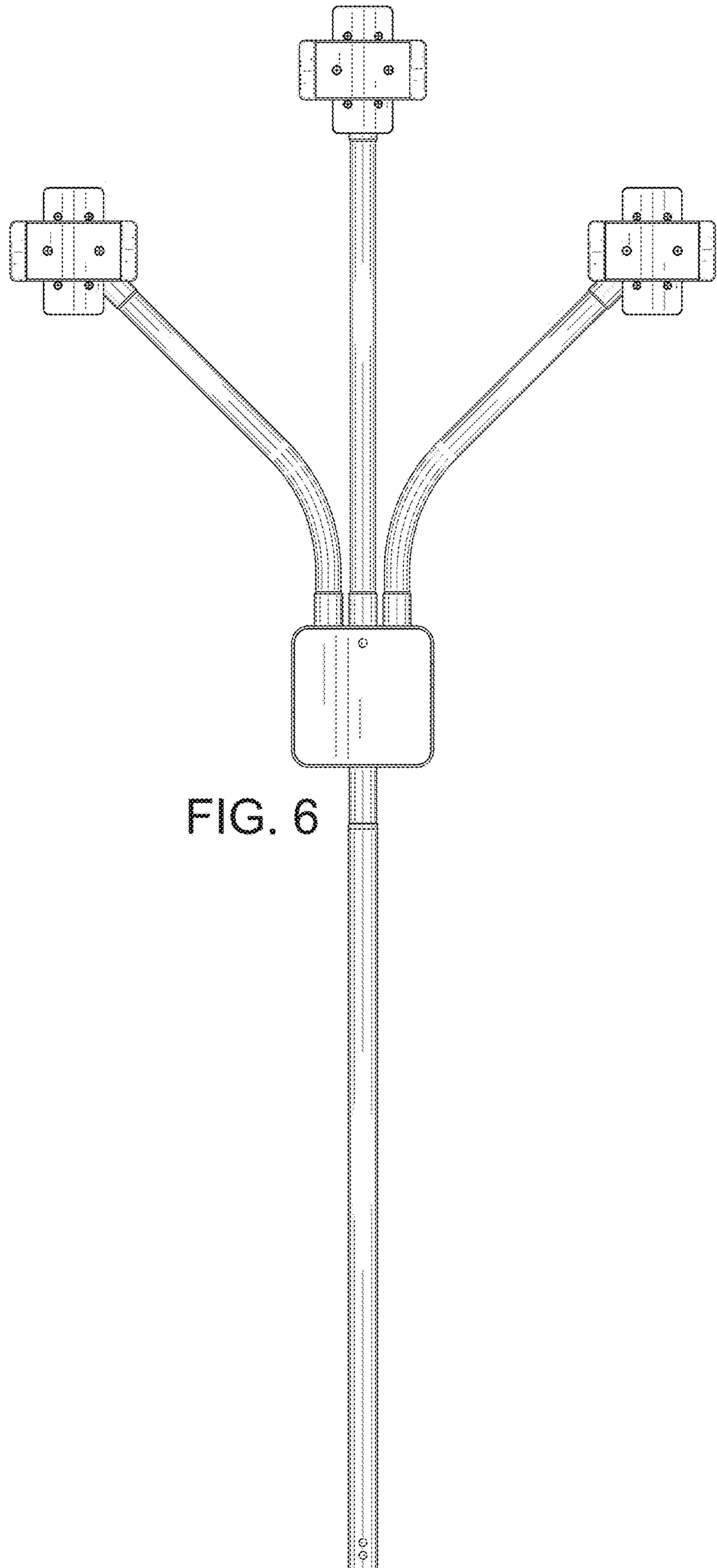


FIG. 6

FIG. 7

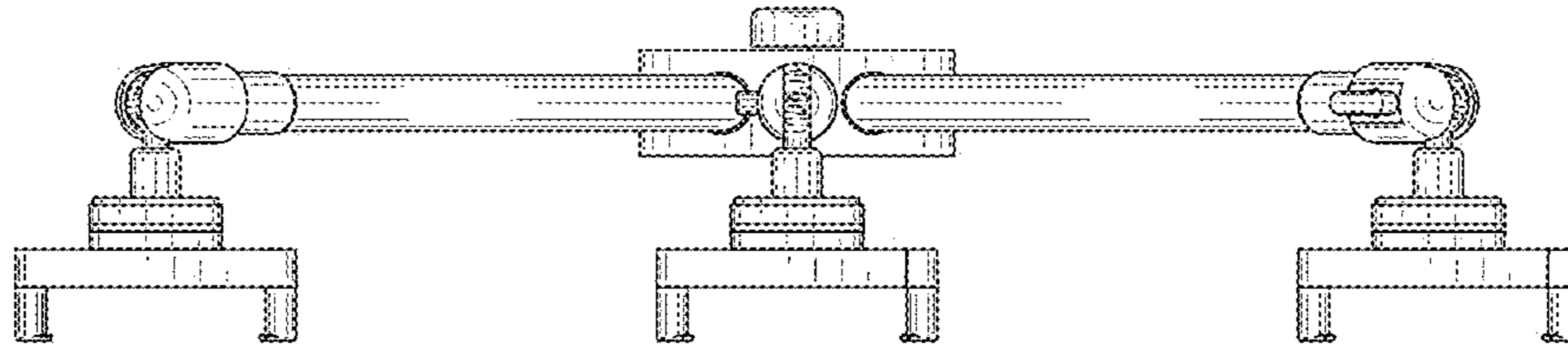


FIG. 8

