



US00D943569S

(12) **United States Design Patent**
Zhang et al.

(10) **Patent No.:** **US D943,569 S**
(45) **Date of Patent:** **** Feb. 15, 2022**

(54) **ELECTRONIC DEVICE MOUNT FOR VEHICLES**

D823,846 S * 7/2018 Chen D14/251
D831,660 S * 10/2018 Yao D14/447
10,173,607 B1 * 1/2019 Omelchenko B60R 11/0241
D868,054 S * 11/2019 Kim D14/253

(71) Applicant: **Ugreen Group Limited**, Shenzhen (CN)

(Continued)

(72) Inventors: **Qingsen Zhang**, Shenzhen (CN);
Junling Chen, Shenzhen (CN);
Zhuohao Liang, Shenzhen (CN)

FOREIGN PATENT DOCUMENTS

CN 305342716 * 9/2019
EM 006686689-0005 * 8/2019

(Continued)

(**) Term: **15 Years**

OTHER PUBLICATIONS

(21) Appl. No.: **29/725,938**

UGREEN Car Phone Holder Air Vent Mount . . . [online]. Date first available Jul. 23, 2020. [Retrieved from the Internet Jun. 8, 2021.] <URL: <https://www.amazon.com/UGREEN-Gravity-Retractable-Compatible-Samsung/dp/B0859BHSQY> >.*

(22) Filed: **Feb. 28, 2020**

(51) **LOC (13) Cl.** **14-99**

(52) **U.S. Cl.**

USPC **D14/253**; D12/415

(58) **Field of Classification Search**

USPC D14/251-253, 224, 224.1, 432-434, 447, D14/451, 452; D12/415, 426.1, 114, 223; D16/242, 244, 245; D10/74; D3/218; D13/108

CPC B60R 11/00; B60R 11/02; B60R 11/0241; B60R 11/0252; B60R 2011/0003; B60R 2011/0005; B60R 2011/0008; H04M 1/04; H04B 1/3877; A45F 2200/0516; A45F 2200/0525; H05K 5/02; H05K 5/0204; H05K 7/00; F16M 13/02; F16M 13/022; F16M 11/00; F16M 11/04; F16M 11/041; F16M 11/06

See application file for complete search history.

Primary Examiner — Rebekah A Caruso

(57) **CLAIM**

The ornamental design for a electronic device mount for vehicles, as shown and described.

DESCRIPTION

FIG. 1 is a first perspective view of a electronic device mount for vehicles showing my new design; FIG. 2 is a second perspective view thereof; FIG. 3 is a front view thereof; FIG. 4 is a back view thereof; FIG. 5 is a left side view thereof; FIG. 6 is a right side view thereof; FIG. 7 is a top view thereof; FIG. 8 is a bottom view thereof; and, FIG. 9 is a perspective view thereof, showing the article in an extended position.

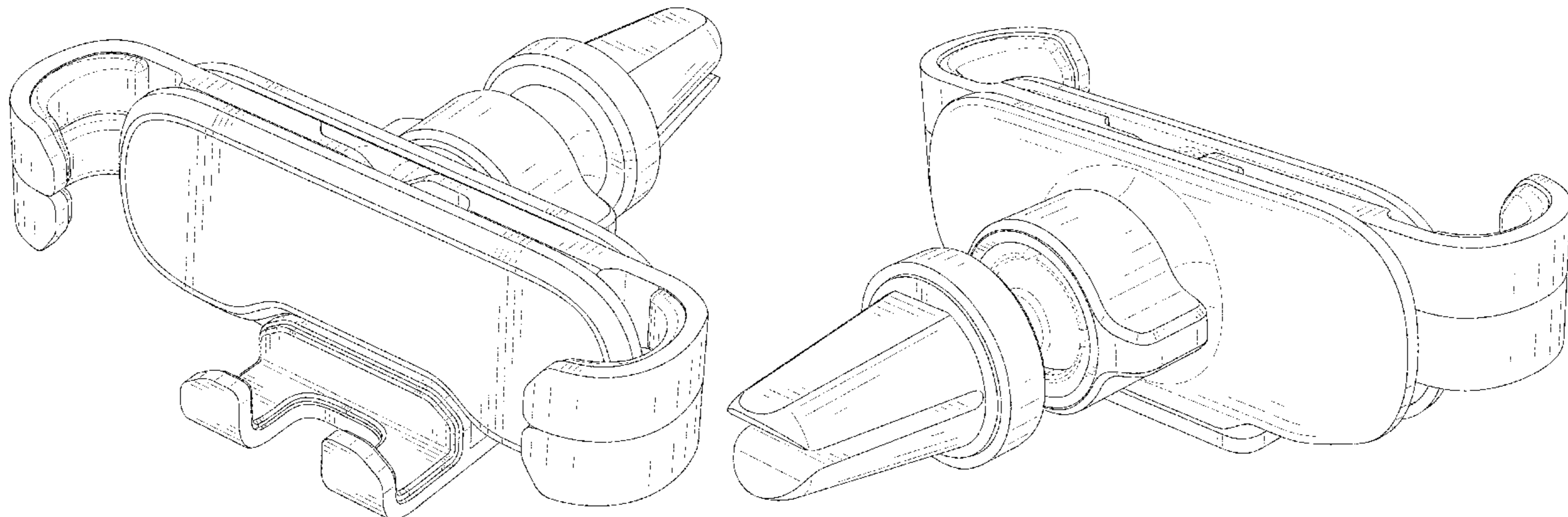
The broken lines shown in the drawings depict portions of the electronic device mount for vehicles in which the design is embodied that form no part of the claimed design.

1 Claim, 9 Drawing Sheets

(56) **References Cited**

U.S. PATENT DOCUMENTS

D765,651 S * 9/2016 Liu D14/253
D768,125 S * 10/2016 Kim D14/253
D780,168 S * 2/2017 Du D14/253
D784,977 S * 4/2017 Ormsbee D14/253
D796,421 S * 9/2017 Huang D12/415
D799,466 S * 10/2017 Sukphist D14/253



(56)

References Cited

U.S. PATENT DOCUMENTS

D873,260 S * 1/2020 Dang D14/253
D873,272 S * 1/2020 Dang D14/447
D909,362 S * 2/2021 Cheng D14/253
D931,185 S * 9/2021 Zhang D12/415
2015/0333789 A1* 11/2015 An H04M 1/04
455/575.9
2019/0052740 A1* 2/2019 Ormsbee H04M 1/04
2020/0254940 A1* 8/2020 Dang B60R 11/0252
2020/0358301 A1* 11/2020 Kim H01F 27/02

FOREIGN PATENT DOCUMENTS

EM 007735162-0001 * 3/2020
EM 008088231-0015 * 8/2020
EM 008088231-0022 * 8/2020
GB 9008326805-0023 * 12/2020

* cited by examiner

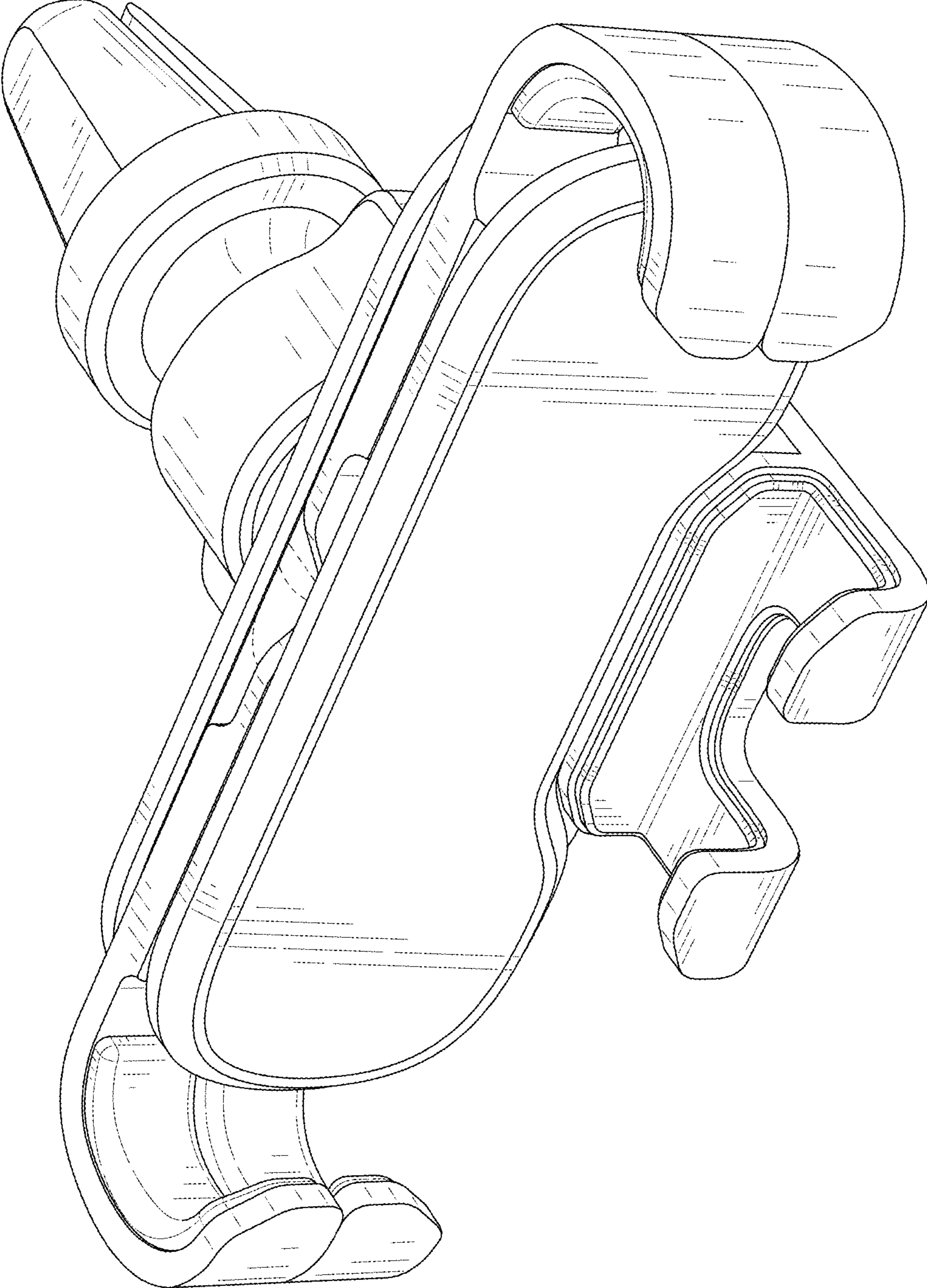


FIG. 1

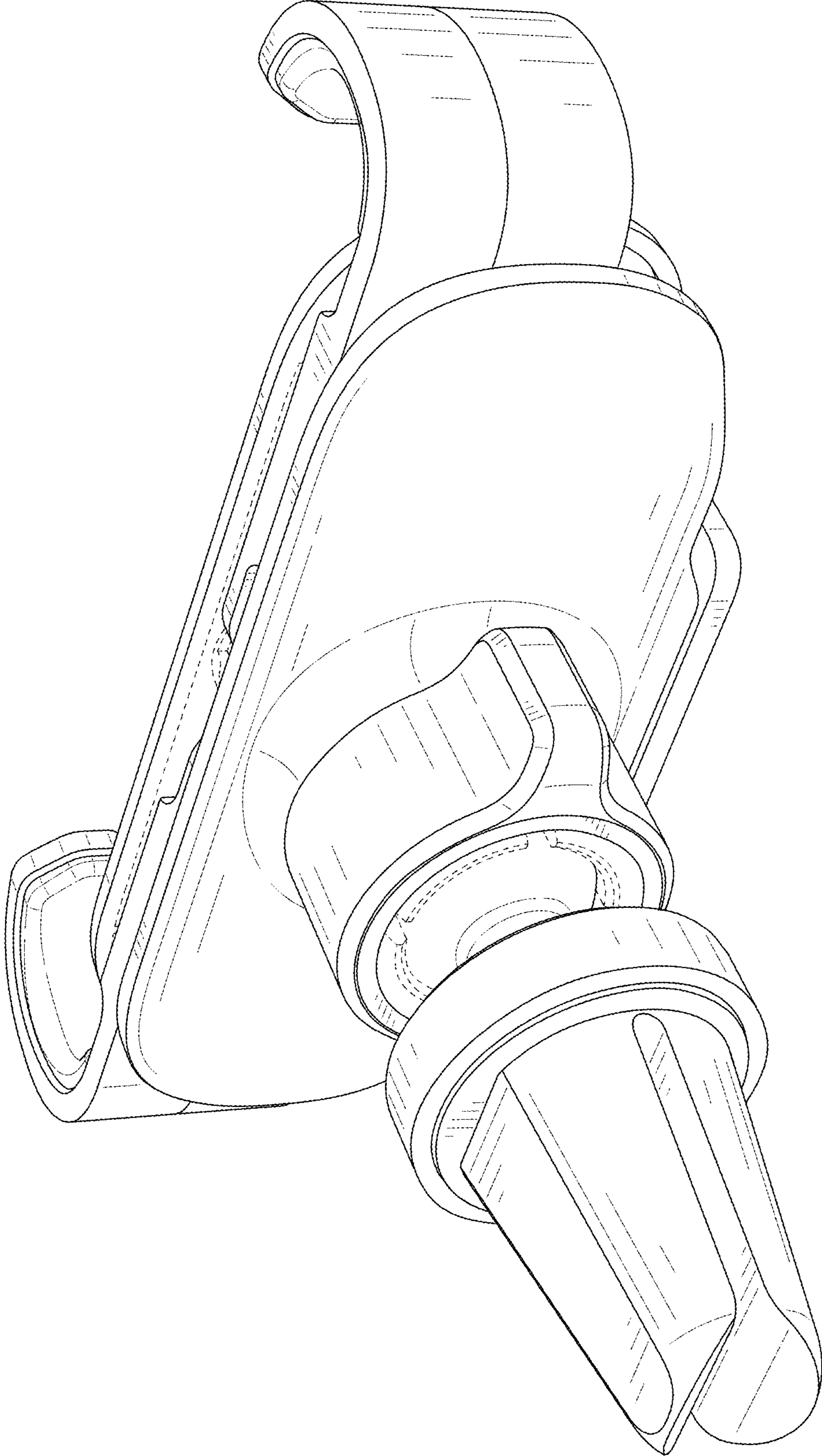


FIG. 2

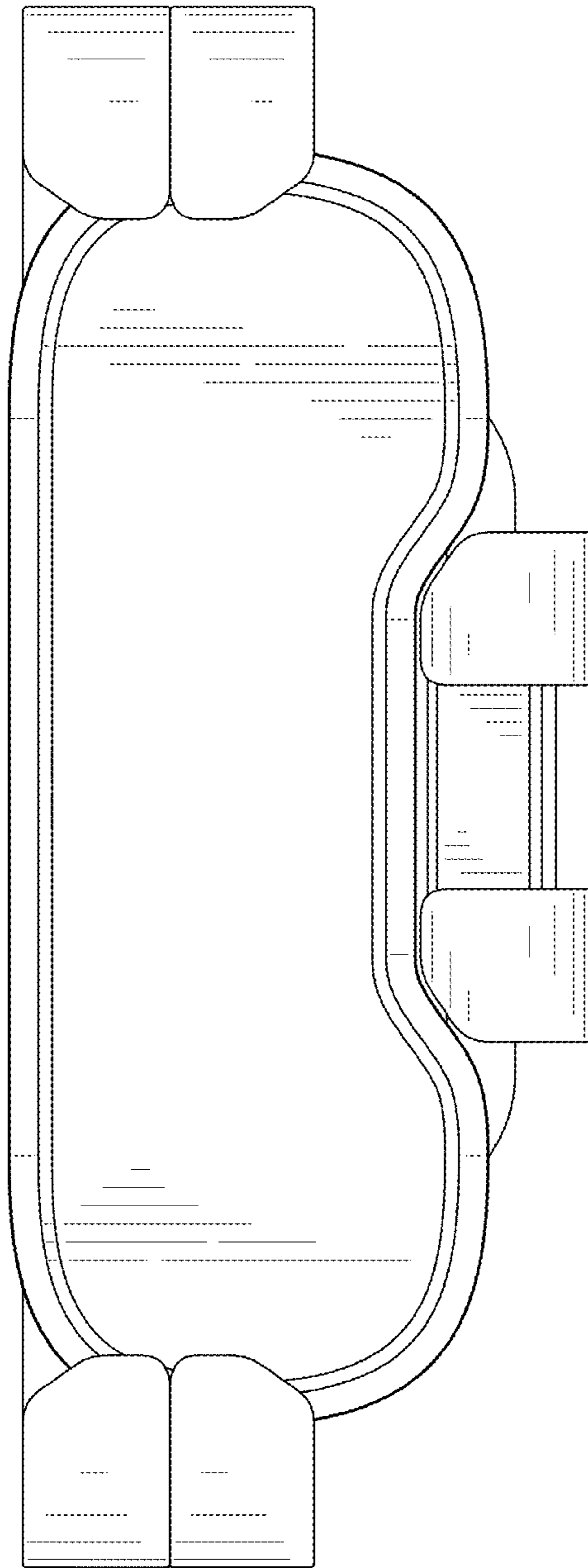


FIG. 3

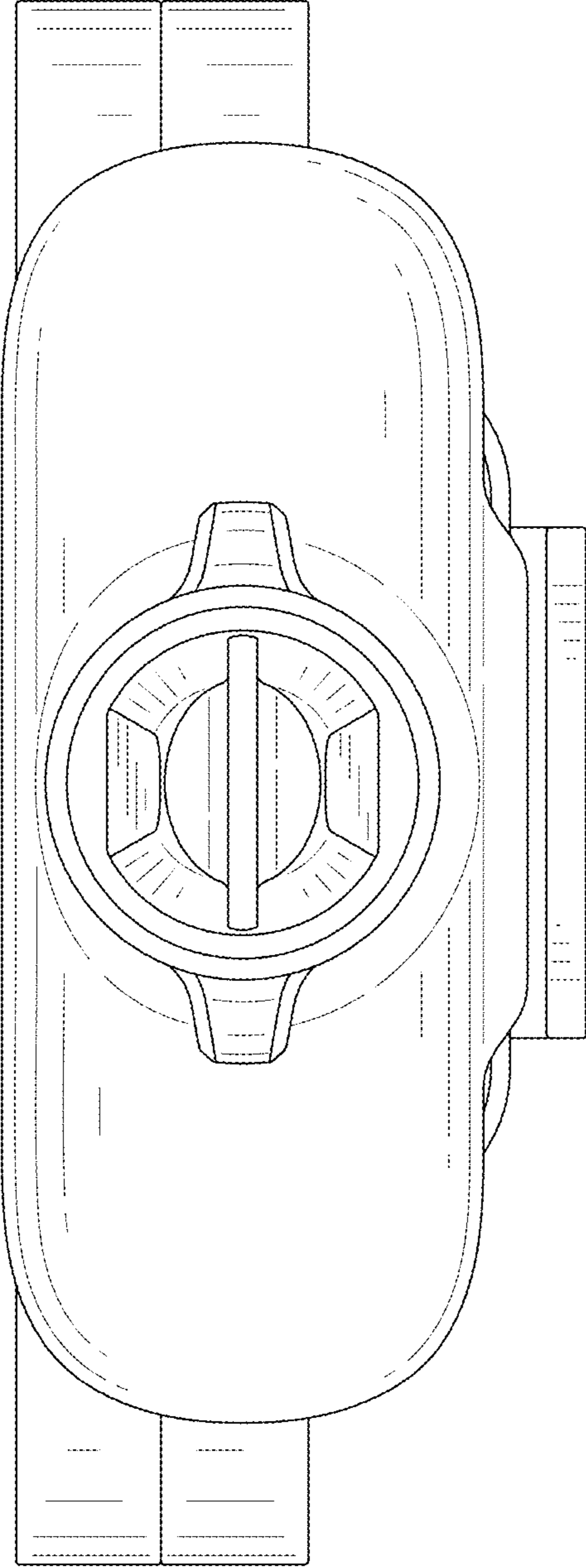


FIG. 4

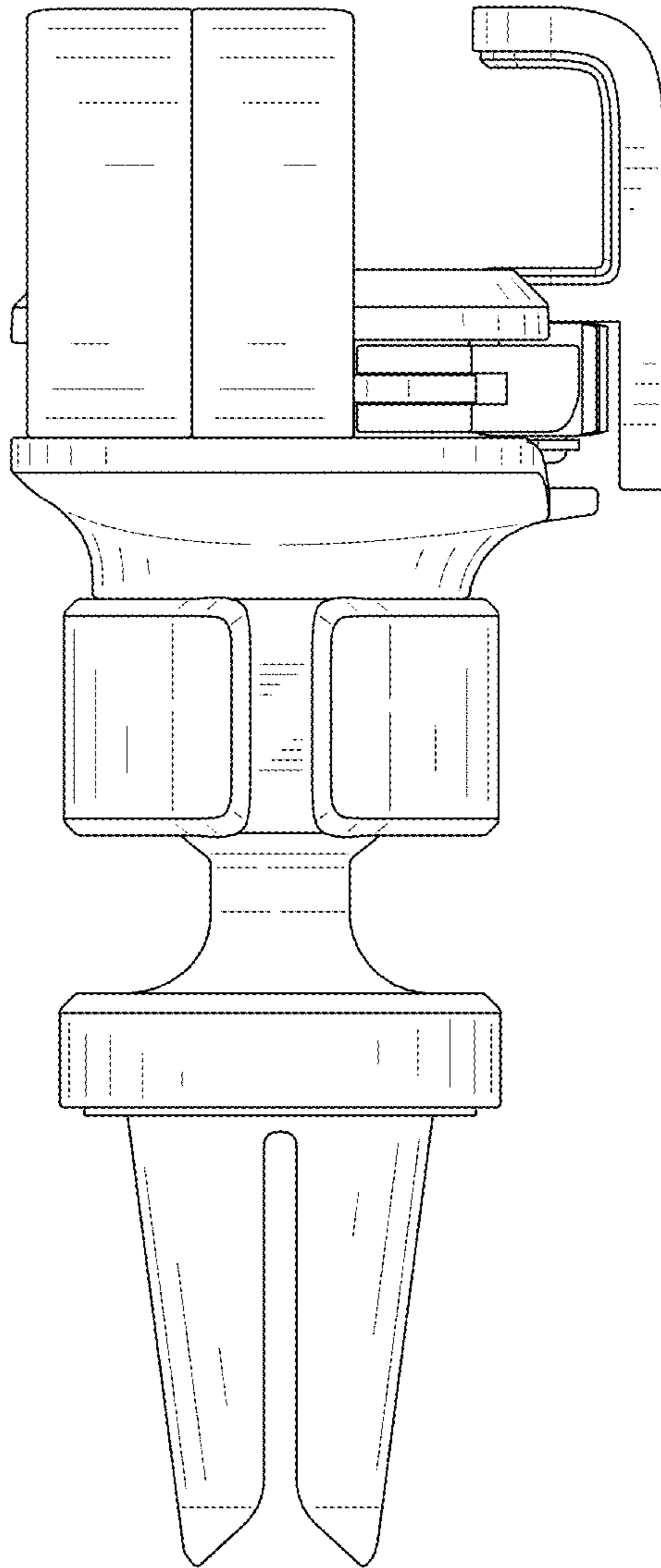


FIG. 5

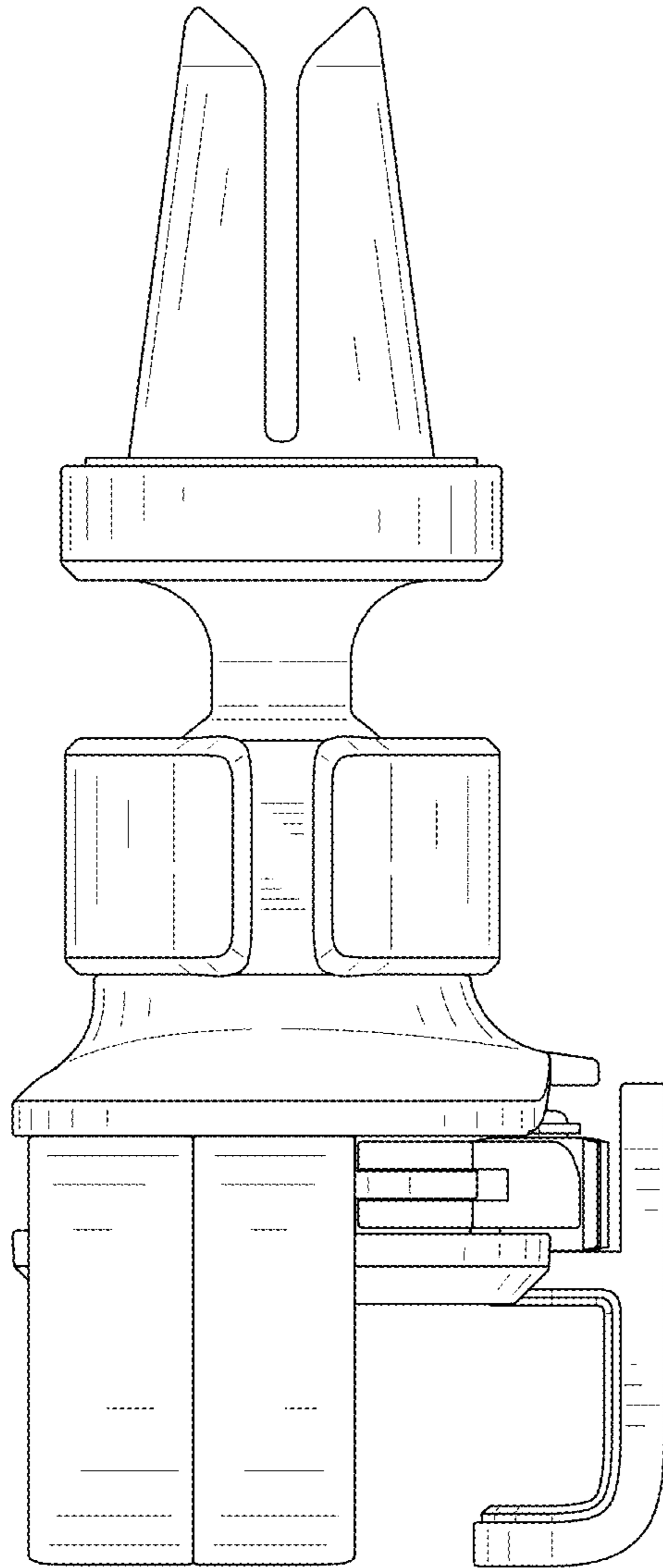


FIG. 6

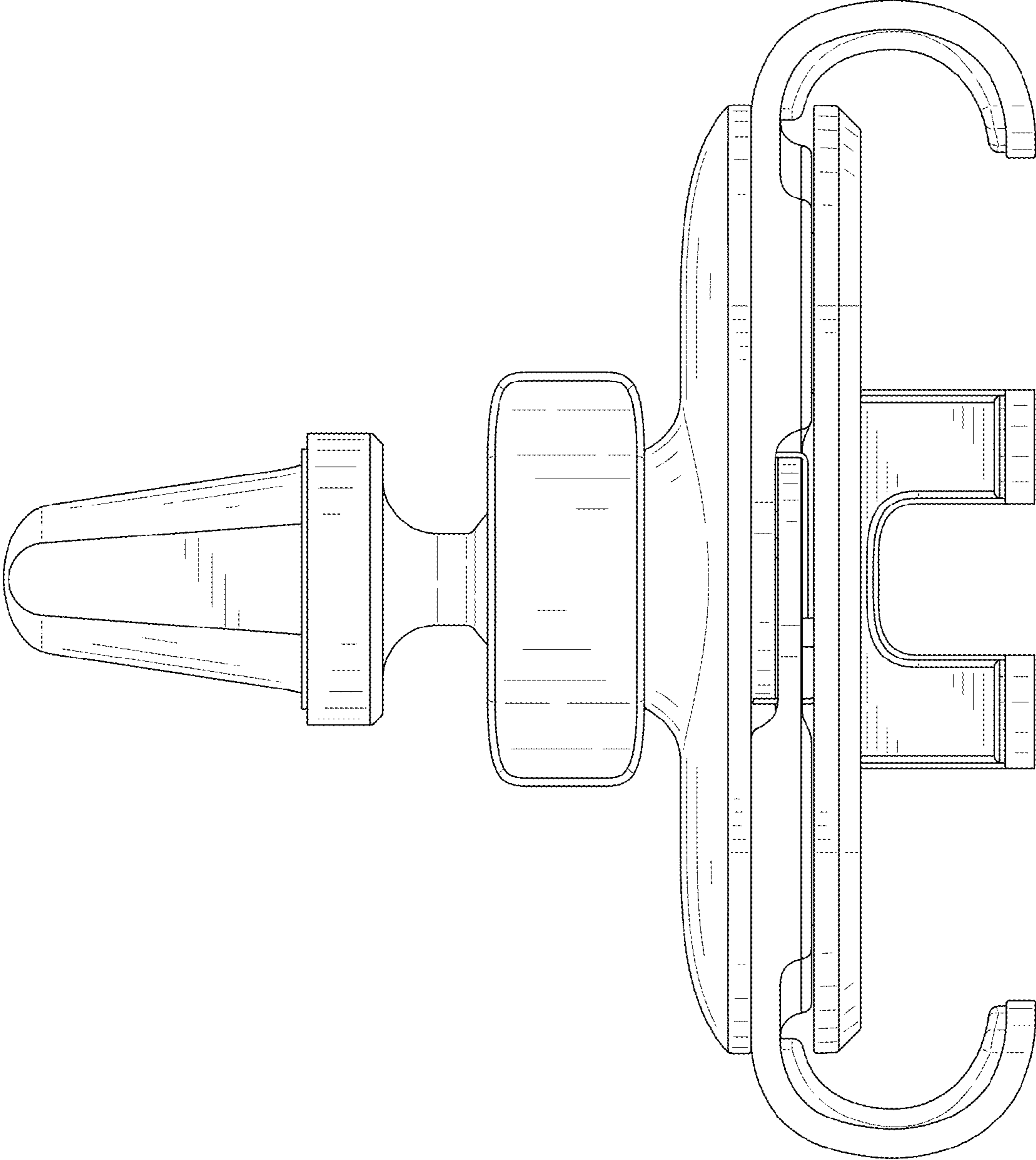


FIG. 7

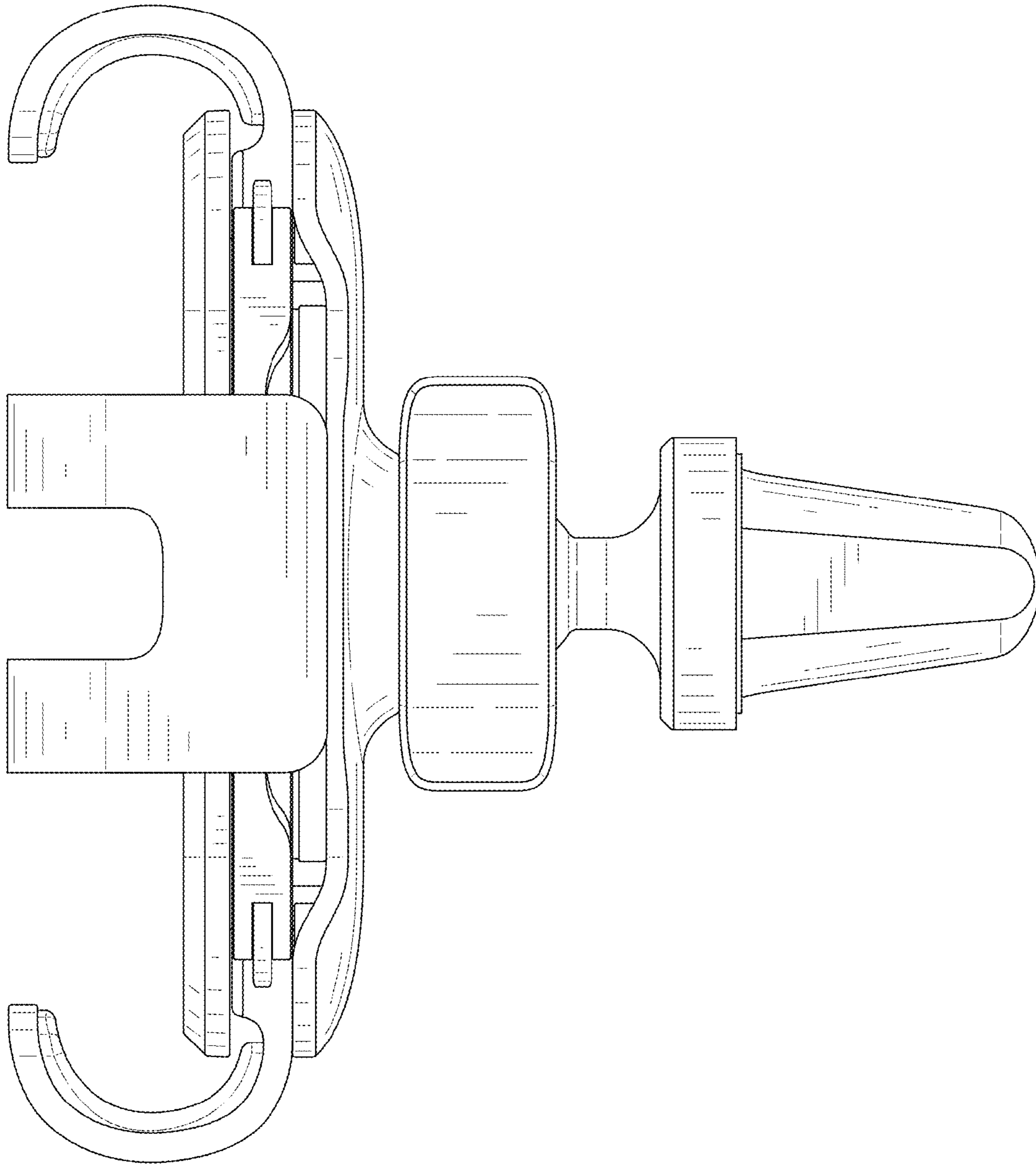


FIG. 8

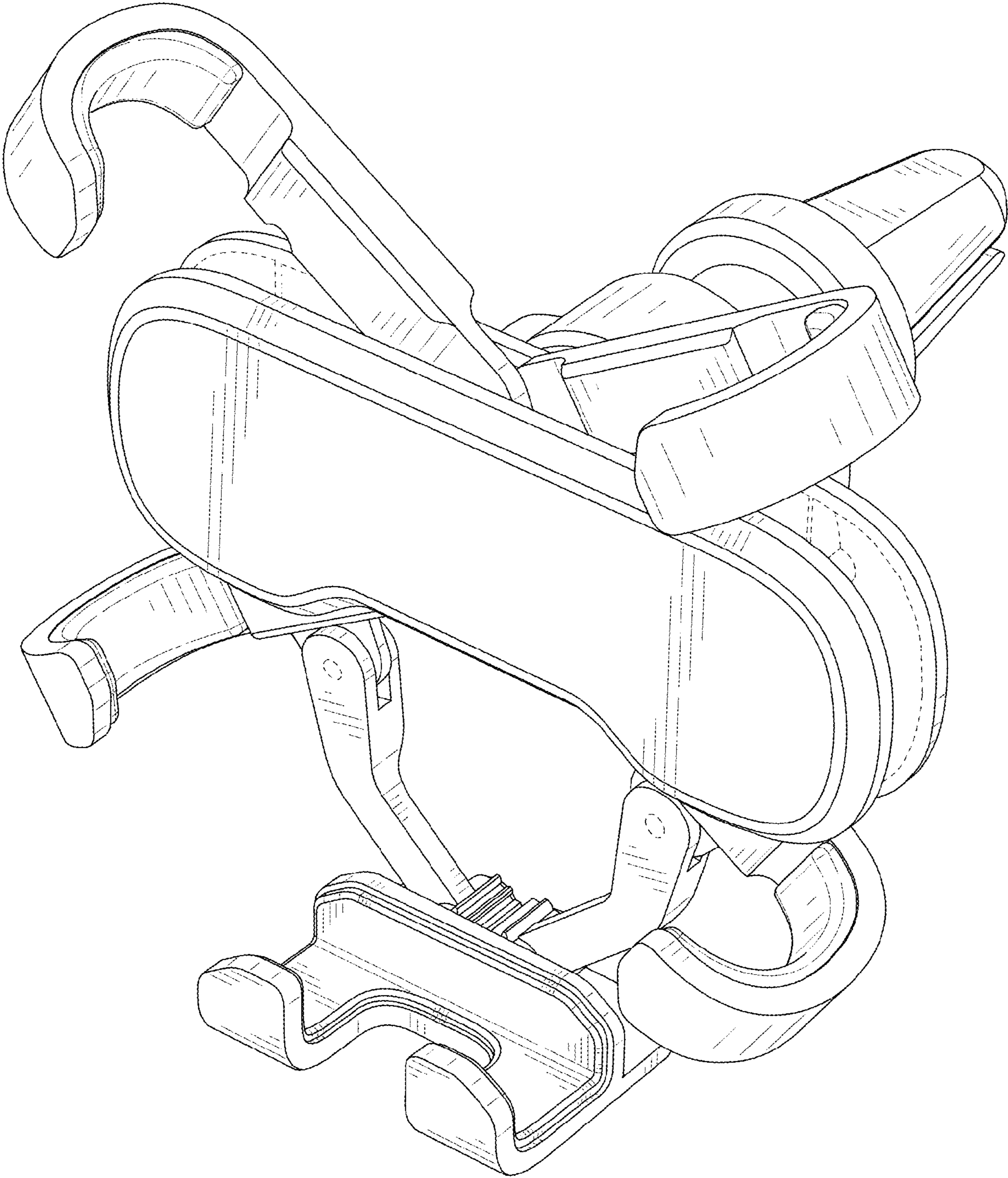


FIG. 9