



US00D943568S

(12) **United States Design Patent**
Zhang et al.

(10) **Patent No.:** **US D943,568 S**
(45) **Date of Patent:** **** Feb. 15, 2022**

(54) **HOLDER FOR ELECTRONIC DEVICE**

F16M 11/04; F16M 11/06; F16M 11/2021; F16M 11/38; F16M 11/046; F16M 11/08; F16M

(71) Applicant: **Shenzhen Lanhe Technologies Co., Ltd.**, Shenzhen (CN)

(Continued)

(72) Inventors: **Jiali Zhang**, Guangdong (CN); **Jianshun Yu**, Guangdong (CN); **Long Pan**, Guangdong (CN)

(56) **References Cited**

U.S. PATENT DOCUMENTS

(73) Assignee: **Shenzhen Lanhe Technologies Co., Ltd.**, Shenzhen (CN)

D526,882 S * 8/2006 Veltz D8/307
D592,484 S * 5/2009 Ricereto D8/307
(Continued)

(**) Term: **15 Years**

OTHER PUBLICATIONS

(21) Appl. No.: **29/721,260**

Universal Magnetic Car Mount for iPhone 8 7 6 6S Plus 11 Pro Max Xs Xr X SE 2020/Samsung Galaxy Note 10 S20, announced Jan. 1, 2017, amazon.com, [online], [site visited Dec. 18, 2020], Available from internet URL: <https://www.amazon.com/Flexible-Magnetic-Dashboard-Universal-Accessories/dp/B079GSL9L4> (Year: 2017).*

(22) Filed: **Jan. 19, 2020**

(30) **Foreign Application Priority Data**

Jul. 30, 2019 (CN) 201930409695.2

Primary Examiner — Janice Hallmark

(51) **LOC (13) Cl.** **14-03**

(74) *Attorney, Agent, or Firm* — Andrew C. Cheng

(52) **U.S. Cl.**

USPC **D14/253**

(58) **Field of Classification Search**

USPC D14/251–253, 447, 452, 432–434, 440, D14/439, 254, 217, 224, 224.1, 238.1, D14/299, 451, 483, 250, 458; D12/415–426, 426.1, 114, 223; D3/218, D3/215, 201, 207, 208, 212, 247, 232; D16/242, 245, 208, 206, 218, 219, 243, D16/237; D8/349, 363, 306, 307, 352, D8/401; D2/624, 625, 627, 635, 632, D2/999; D7/620, 619.1, 602, 701; D6/553, 512

CPC ... A45C 11/00; A45F 5/00; A45F 5/10; A45F 2200/0516; A45F 2200/0525; A45F 2200/0533; A45F 2200/0508; A45F 2005/008; A47G 23/0216; B60R 11/00; B60R 11/02; B60R 11/0241; B60R 11/0252; B60R 2011/0005; B60R 2011/0008; F16B 2/06; F16M 11/00;

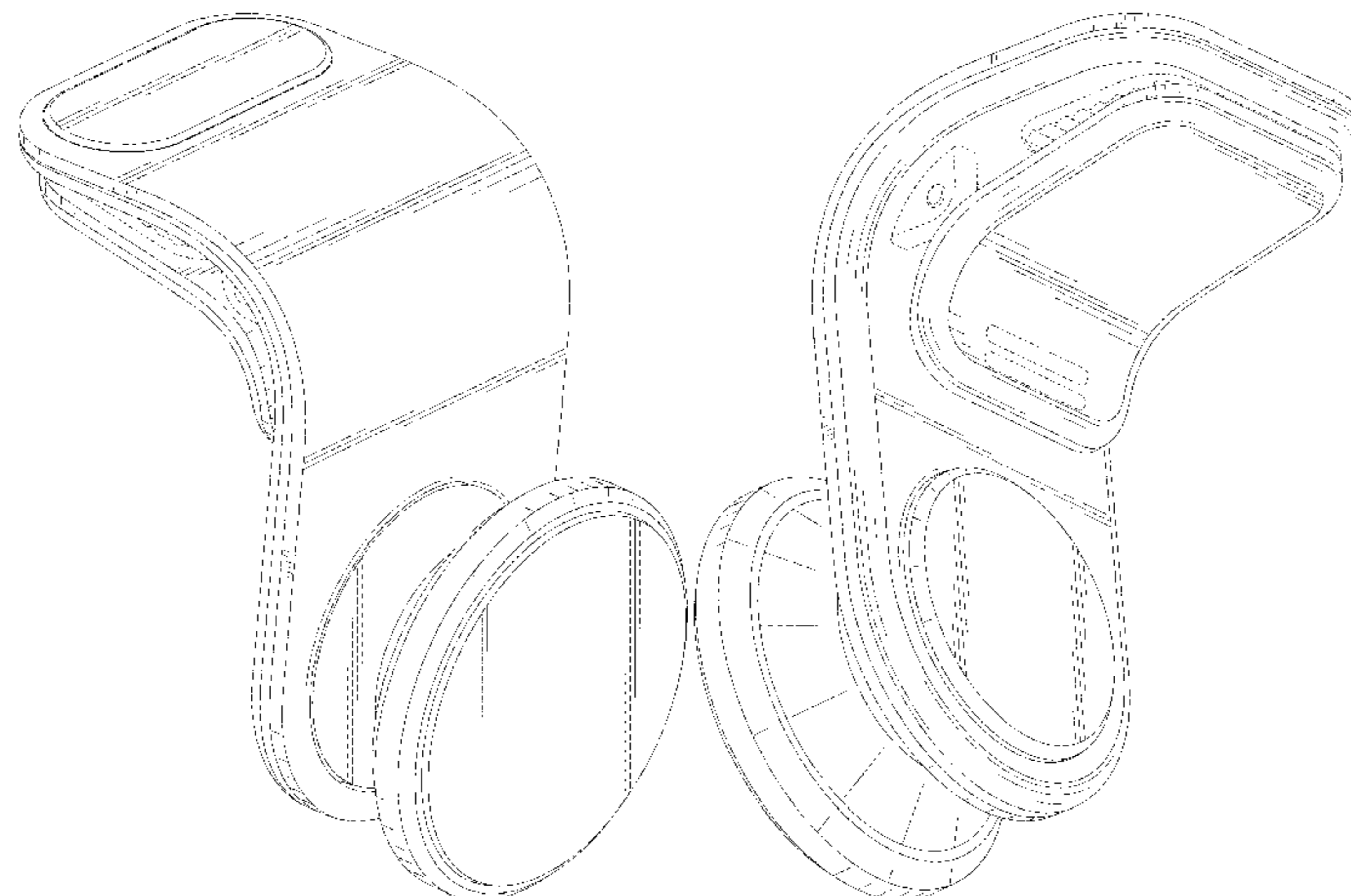
(57) **CLAIM**

We claim the ornamental design for a holder for electronic device, as shown and described.

DESCRIPTION

FIG. 1 is a top, front and left side perspective view of a holder for electronic device in accordance with our present design;
FIG. 2 is a bottom, rear, and right side perspective view thereof;
FIG. 3 is a front elevation view thereof;
FIG. 4 is a rear elevation view thereof;
FIG. 5 is a left side elevation view thereof;
FIG. 6 is a right side elevation view thereof;
FIG. 7 is a top plan view thereof; and,
FIG. 8 is a bottom plan view thereof.

(Continued)



The broken lines depict portions of the holder for electronic device in which the design is embodied that form no part of the claimed design.

1 Claim, 8 Drawing Sheets

(58) Field of Classification Search

CPC .. 11/16; F16M 11/041; F16M 11/2014; F16M 13/00; G03B 17/561; G03B 17/563; H04M 1/02; H04M 1/04; H04M 1/11; H04M 1/15; H04M 1/026; H04M 1/0266; H04M 1/0281; H04M 1/0202; H04B 1/3877; H04B 1/3888; H04B 1/385; H01F 7/0252; H05K 5/0204; H04R 1/1033

See application file for complete search history.

(56) References Cited

U.S. PATENT DOCUMENTS

8,128,046 B1 * 3/2012 Howard, Jr. A45F 5/02
248/313
D733,116 S * 6/2015 Aspinall D14/253
D748,615 S * 2/2016 Lee D14/251
9,301,037 B1 * 3/2016 Kalyvas H04M 1/6041
D775,682 S * 1/2017 Ou D16/237
D794,607 S * 8/2017 Srour D14/217
D795,882 S * 8/2017 Maldonado D14/447
D799,468 S * 10/2017 Chen D14/253
D824,378 S * 7/2018 Sukphisit D14/253
D861,003 S * 9/2019 Vogel D14/447
2020/0237083 A1 * 7/2020 Jin A45F 5/02

* cited by examiner

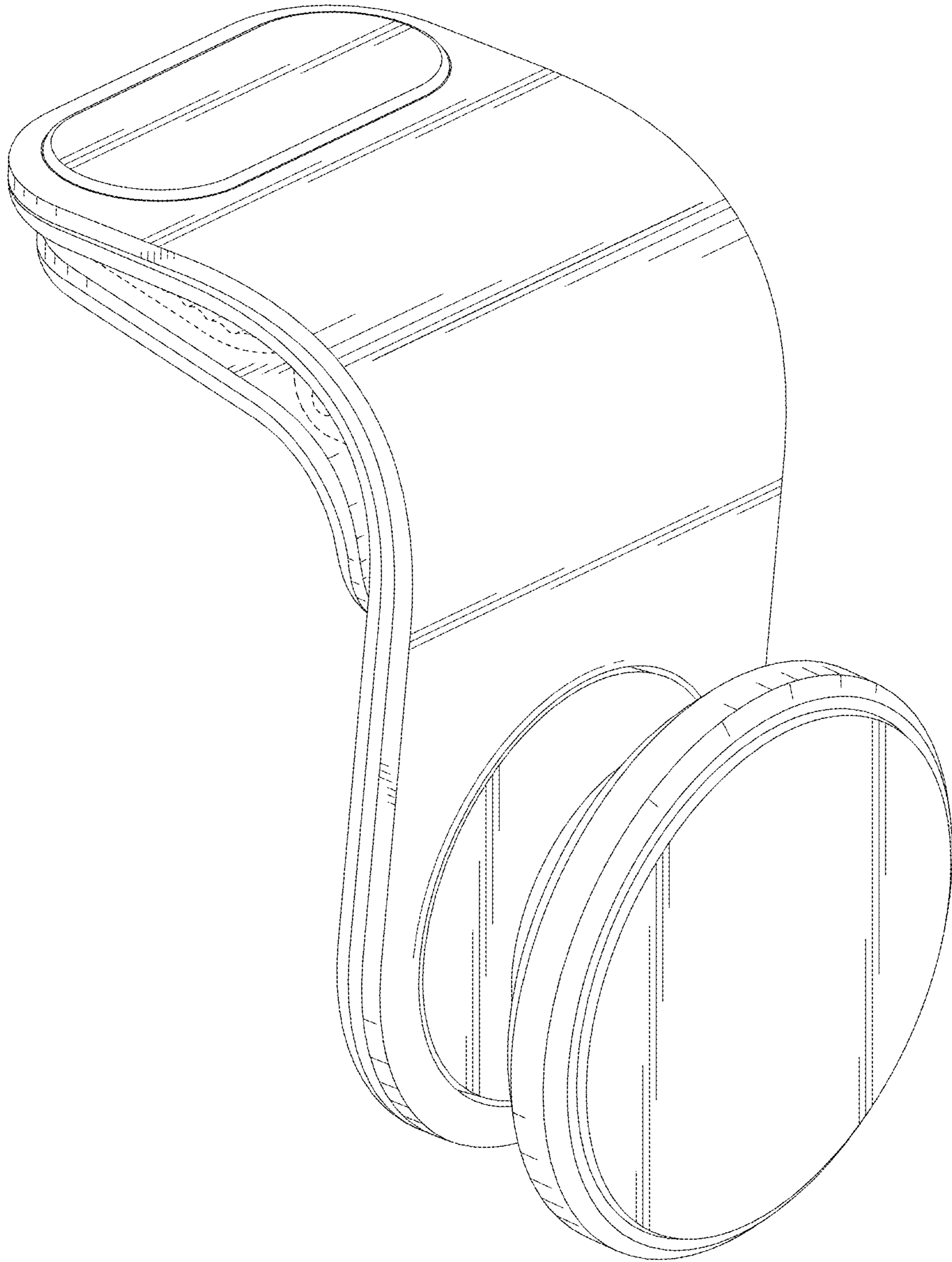


FIG. 1

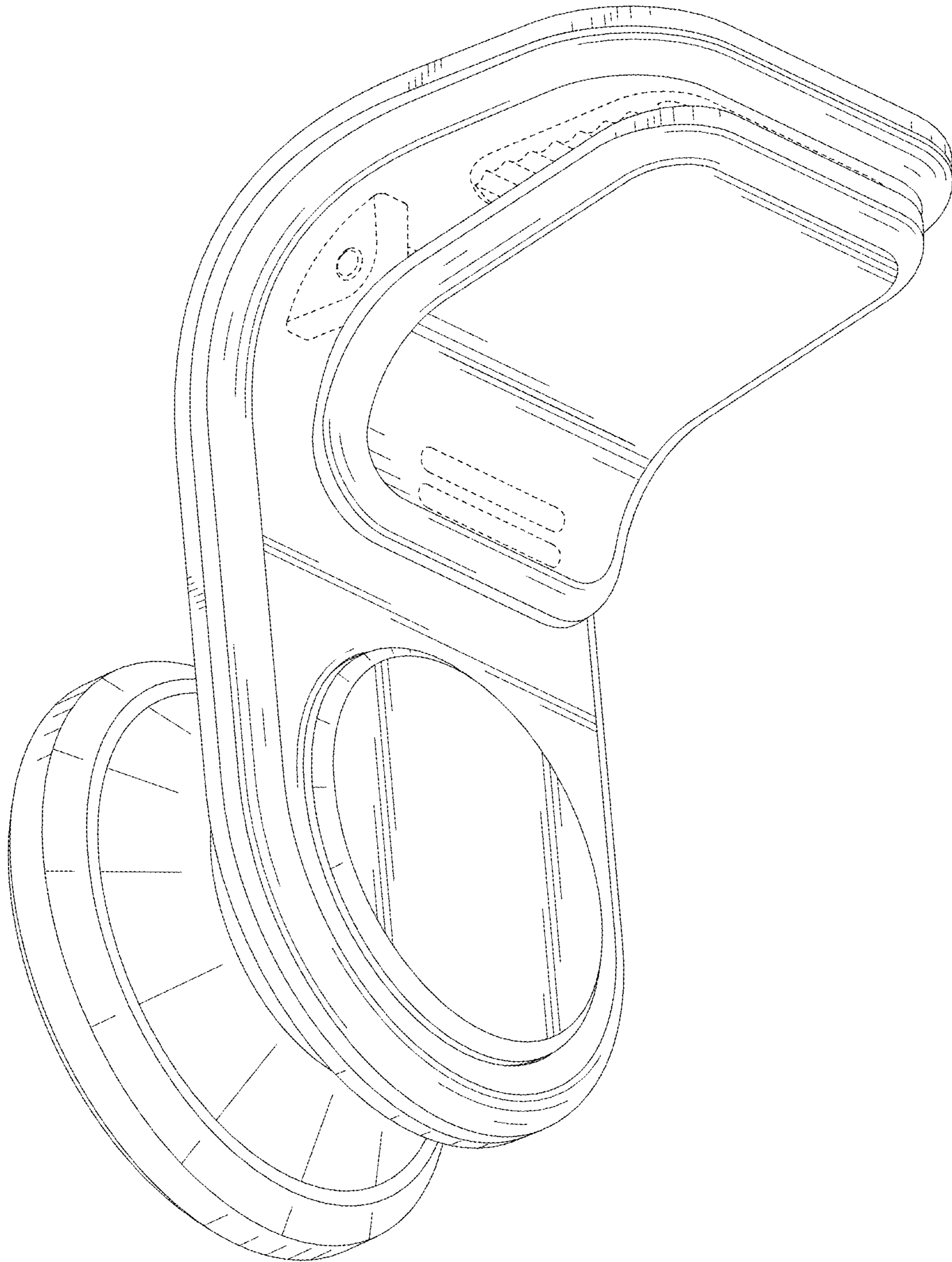


FIG. 2

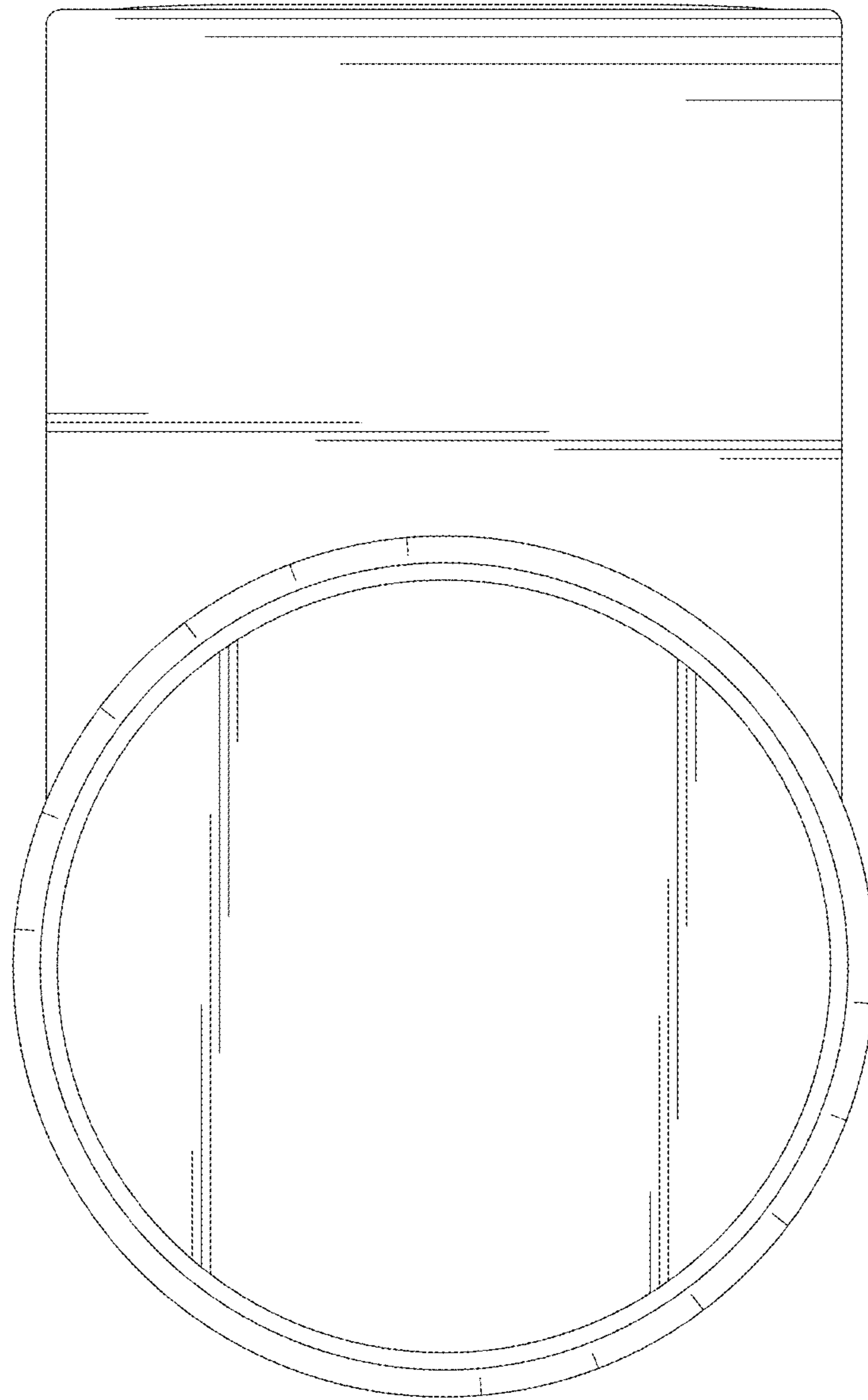


FIG. 3

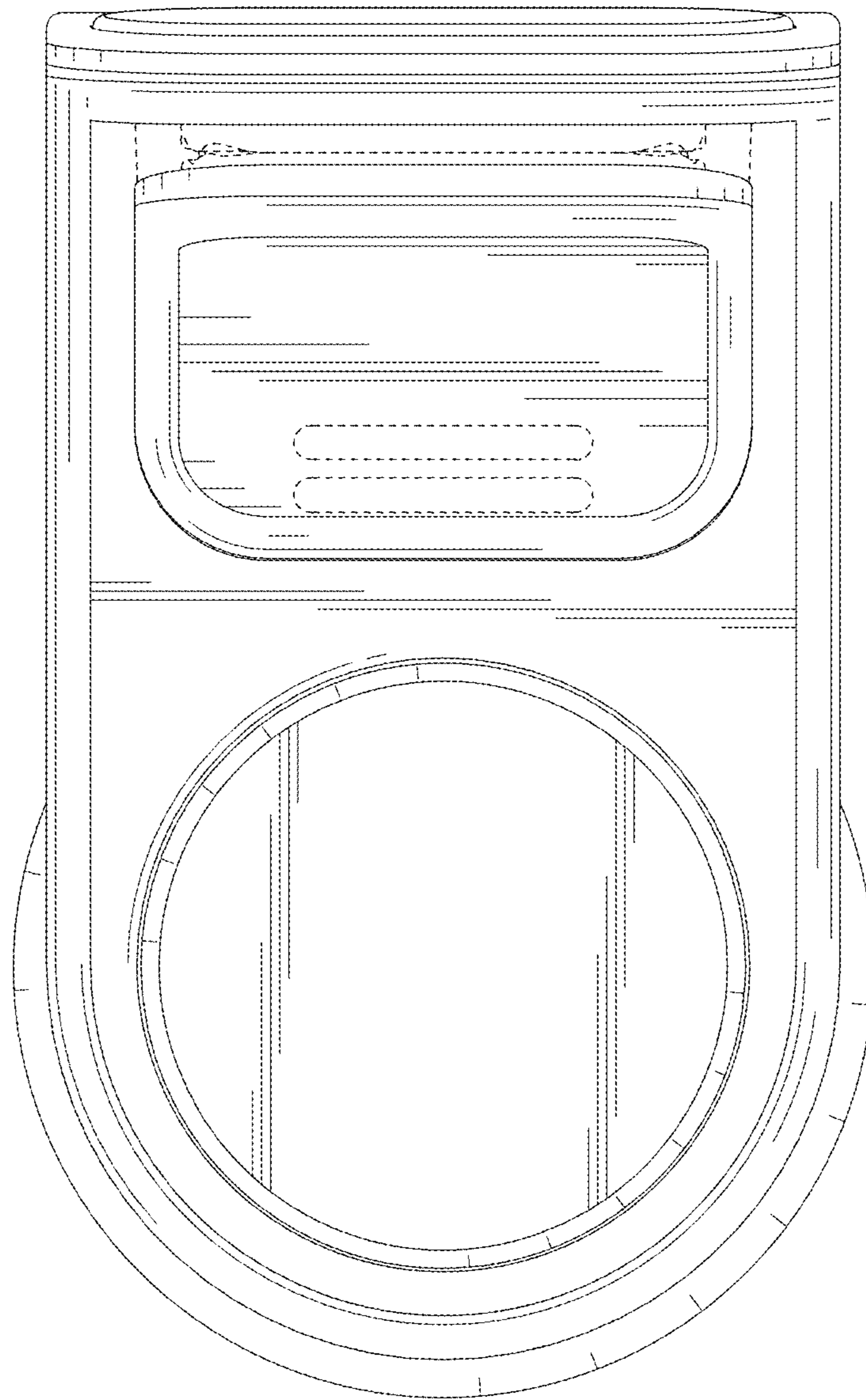


FIG. 4

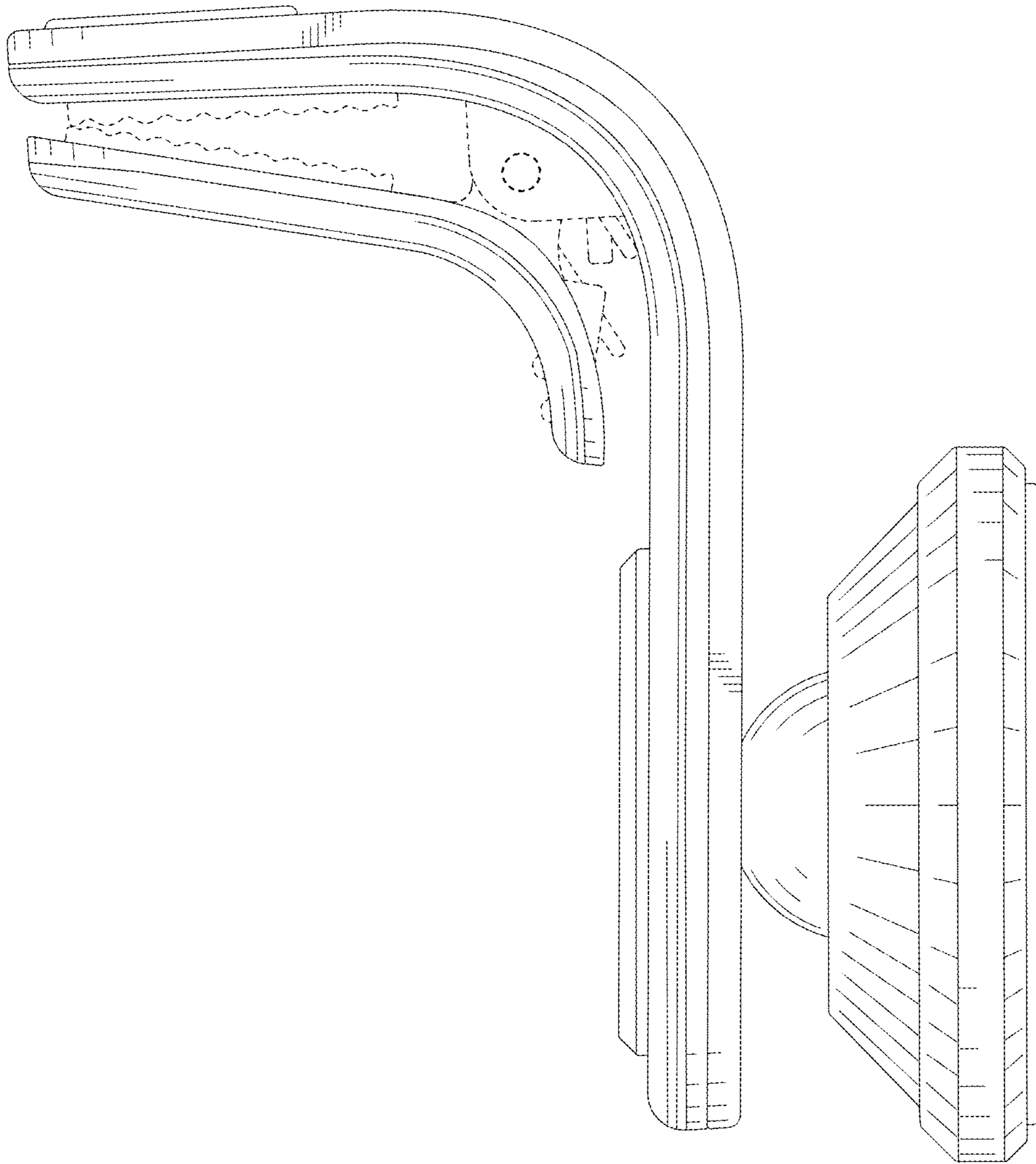


FIG. 5

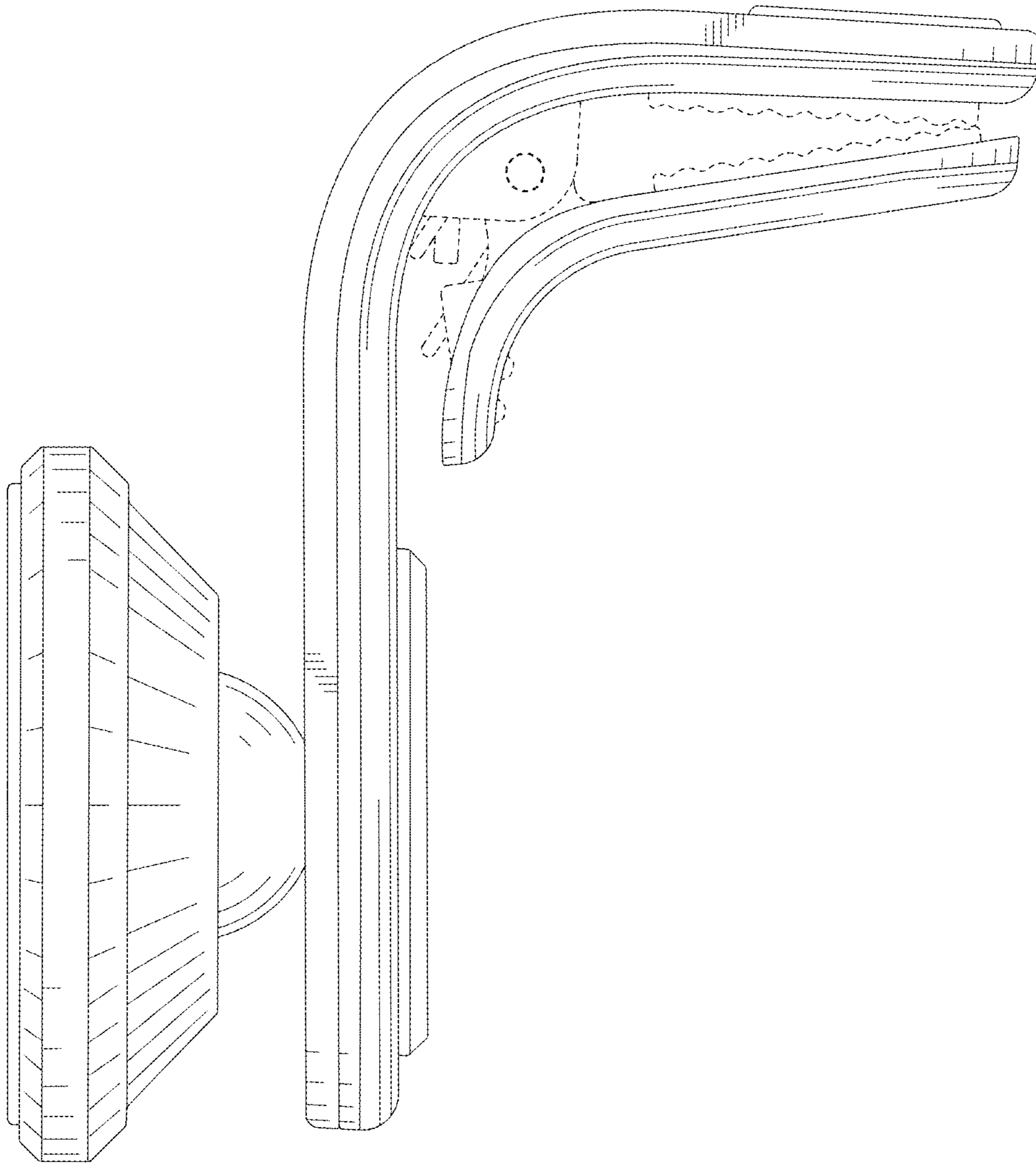


FIG. 6

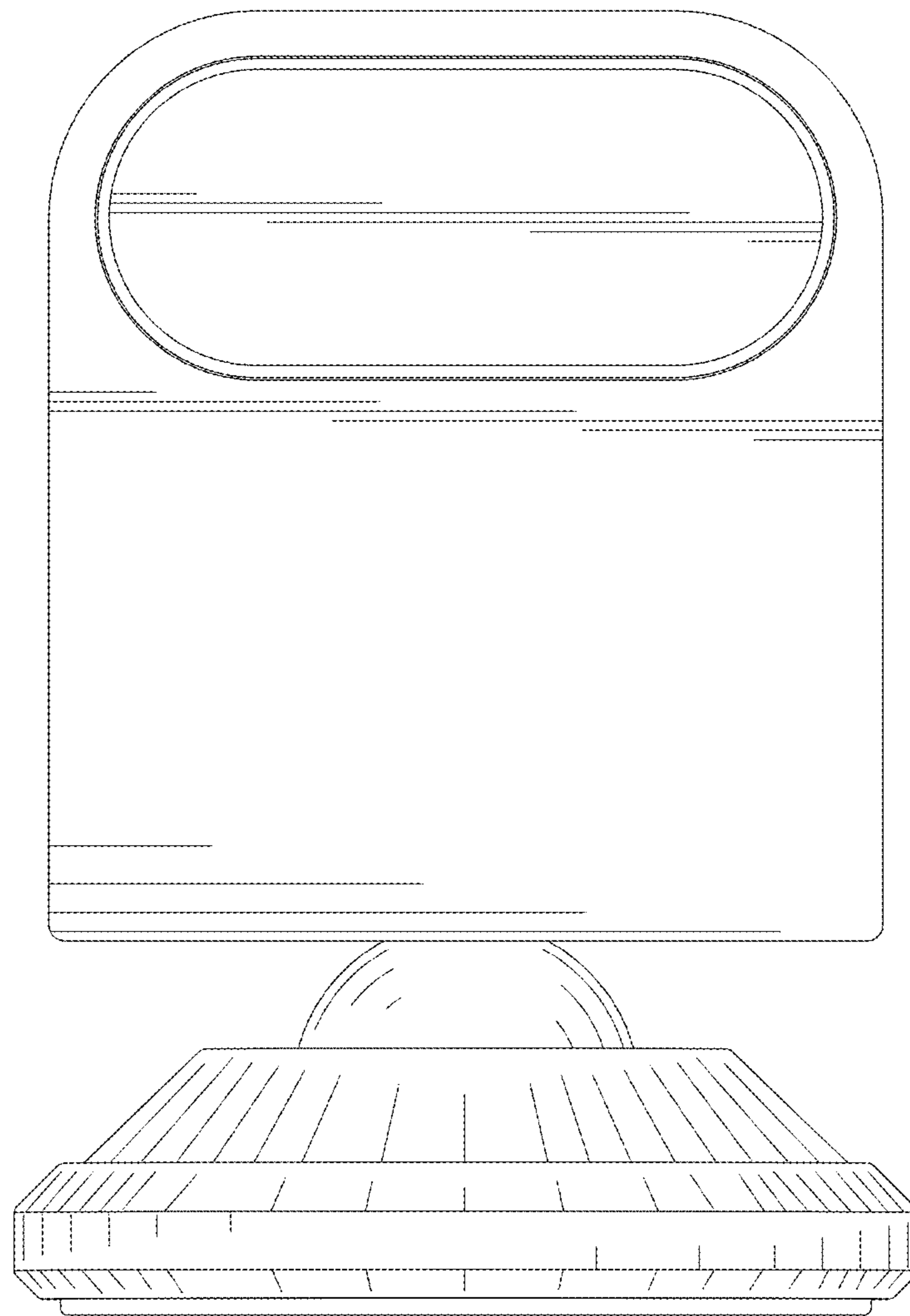


FIG. 7

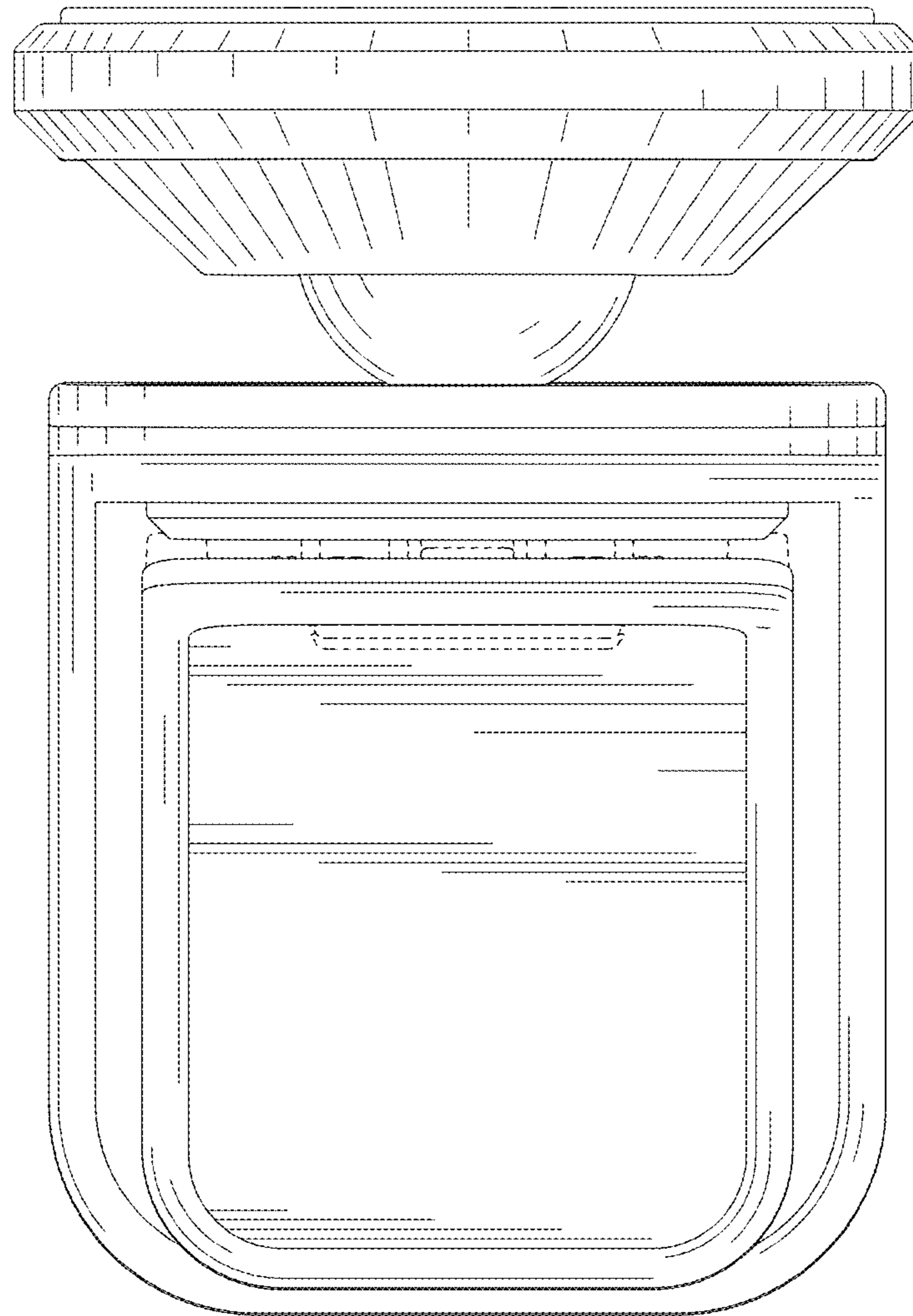


FIG. 8