



US00D943563S

(12) **United States Design Patent** (10) **Patent No.:** **US D943,563 S**  
**Williamson et al.** (45) **Date of Patent:** **\*\* Feb. 15, 2022**

(54) **SINGLE DUAL PORT NETWORK DEVICE**

(71) Applicant: **Hill Phoenix, Inc.**, Conyers, GA (US)

(72) Inventors: **Donald E. Williamson**, Conyers, GA (US); **Michael Hines**, Wayzata, MN (US)

(73) Assignee: **Hill Phoenix, Inc.**, Conyers, GA (US)

(\*\*) Term: **15 Years**

(21) Appl. No.: **29/782,913**

(22) Filed: **May 10, 2021**

(51) **LOC (13) Cl.** ..... **14-03**

(52) **U.S. Cl.**  
USPC ..... **D14/240**

(58) **Field of Classification Search**  
USPC .... D14/240, 242, 357, 358, 140-140.9, 155,  
D14/125, 137, 139, 243, 348, 349, 351,  
D14/354, 355

CPC ..... H04L 12/00; H03K 17/00; H04W 88/00;  
H04W 88/005; H04W 88/02; H04W  
88/08; H04W 88/085; H04W 88/10;  
H04W 88/12; H04W 88/14; H04B 1/38

See application file for complete search history.

(56) **References Cited**

**U.S. PATENT DOCUMENTS**

D366,878 S *	2/1996	Wakabayashi	.....	D13/147
D431,485 S *	10/2000	Huang	.....	D14/357
D460,452 S *	7/2002	Yoshie	.....	D14/358
D463,411 S *	9/2002	Stokes	.....	D14/240
D464,339 S *	10/2002	Tomino	.....	D14/240
D471,541 S *	3/2003	Tomino	.....	D14/240

(Continued)

**FOREIGN PATENT DOCUMENTS**

CN	302949316	*	9/2014
CN	303159737	*	4/2015

(Continued)

**OTHER PUBLICATIONS**

POE Extender, Date First Available: Jun. 27, 2018, [online], [retrieved on Aug. 31, 2021]. Retrieved from Internet ,<URL: https://www.amazon.com/dp/B07F2RL2BQ/ref=sspa\_dk\_detail\_4?psc=1&pd\_rd\_i=B07F2RL2BQ&pd\_rd\_ii=B07F2RL2BQ&pd\_rd\_w=POXmL&pf\_rd\_p=5d846283-ed3e-4512-a744-a30f97c5d738&pd\_rd\_wg=sG055&pf\_rd\_r=JMWS6MWCNJ0M4D25NIK3&pd\_rd\_r=cb06e523-e2c9-4813-9b8af3731f2e4b35&smid=A2C232BUL391Z5&spLa=ZW5jenlwdGVkUXVhbGlmaWVyPUEzOUdUN0FXVU9NOUJVJmVuY3J5cHRIZEikPUEwNjg1NDI4M09WQjIeRzBNOFZaUSZlbnNyeXB0ZWRBZEikPUEwMDA2NTAxMkJCOURNNkZWWIRUVyZ3aWRnZXROYW1lPXNwX2RldGFpbF90aGVfYXRpYyZhY3Rpb249Y2xpY2tSZWRpcmVjdCZkb05vdExvZ0NsaWNrPXRYdWU=>.\*

(Continued)

*Primary Examiner* — Bridget L Eland

(74) *Attorney, Agent, or Firm* — Fish & Richardson P.C.

(57) **CLAIM**

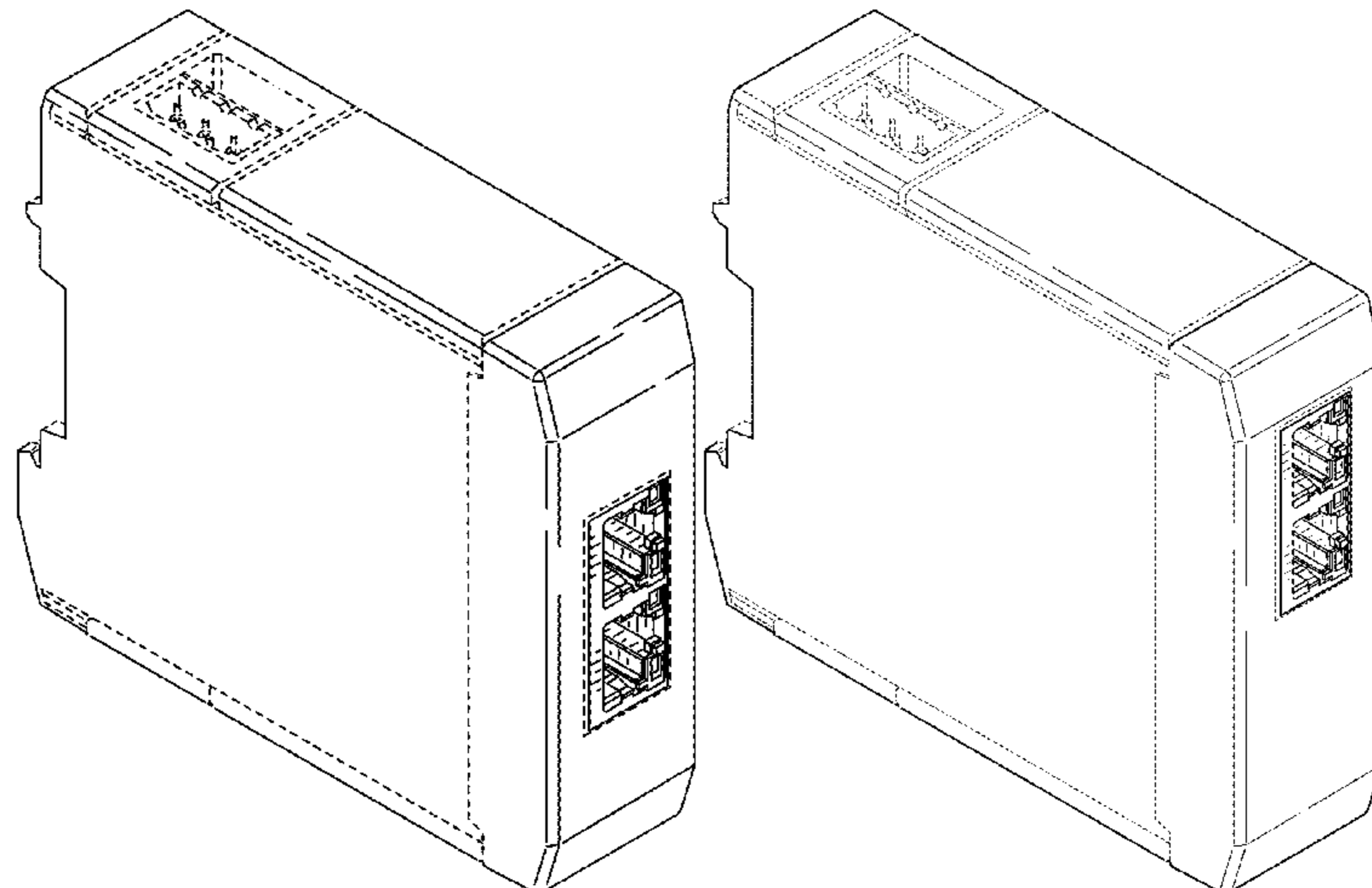
The ornamental design for an single dual port network device, substantially as shown and described.

**DESCRIPTION**

FIG. 1 is a perspective view of a first embodiment of a single dual port network device, showing our new design;  
FIG. 2 is a top view thereof;  
FIG. 3 is a bottom view thereof;  
FIG. 4 is a right side view thereof;  
FIG. 5 is a left side view thereof;  
FIG. 6 is a rear view thereof; and  
FIG. 7 is a front view thereof;  
FIG. 8 is a perspective view of a second embodiment of a single dual port network device showing our new design;  
FIG. 9 is a top view thereof;  
FIG. 10 is a perspective view of a third embodiment of a single dual port network device, showing our new design; and,  
FIG. 11 is a top view thereof.

The broken lines depict portions of the single dual port network device that form no part of the claimed design of the emobodiments, in which they are shown. The bottom, right

(Continued)



side, left side, rear, and front views of the second and third embodiments are identical to these same views of the first embodiment as depicted in FIGS. 3-7.

EM	008321434-0002	*	2/2021
EM	008321434-0003	*	2/2021
EM	008321434-0004	*	2/2021
JP	D1521329	*	4/2015
KR	301027675.0000	*	10/2019

1 Claim, 9 Drawing Sheets

OTHER PUBLICATIONS

(56)

References Cited

U.S. PATENT DOCUMENTS

D472,547	S	*	4/2003	Dendou	.....	D14/242
D483,748	S	*	12/2003	Alviar	.....	D14/240
D562,814	S	*	2/2008	Liu	.....	D14/240
D568,310	S	*	5/2008	Franck	.....	D14/240
D593,082	S	*	5/2009	Jeon	.....	D14/240
D623,636	S	*	9/2010	Luonsinen	.....	D14/240
D656,936	S	*	4/2012	Saunders	.....	D14/358
D661,697	S	*	6/2012	Saunders	.....	D14/358
D662,091	S	*	6/2012	Loponen	.....	D14/240
D686,198	S	*	7/2013	Lewis	.....	D14/240
D705,719	S	*	5/2014	Wong	.....	D13/103
D718,288	S	*	11/2014	Wang	.....	D14/240
D733,106	S	*	6/2015	Frei	.....	D14/240
D791,748	S	*	7/2017	Bellows	.....	D14/240
D814,451	S	*	4/2018	Shin	.....	D14/242
D815,076	S	*	4/2018	Shin	.....	D14/242
D836,619	S	*	12/2018	Yokoyama	.....	D14/240
D918,883	S	*	5/2021	Liao	.....	D14/242
D922,990	S	*	6/2021	Horie	.....	D14/242
2016/0029501	A1	*	1/2016	Wu	.....	H05K 5/0204 174/541

FOREIGN PATENT DOCUMENTS

CN	303159738	*	4/2015
CN	303634837	*	4/2016
CN	304494105	*	2/2018
CN	304494126	*	2/2018
CN	304494127	*	2/2018
CN	304578269	*	4/2018
CN	304689554	*	6/2018
CN	306704429	*	7/2021
CN	306704430	*	7/2021
EM	008321434-0001	*	2/2021

NETGEAR 5 Port PoE, Date First Available: Nov. 11, 2020, [online], [retrieved on Aug. 31, 2021]. Retrieved from Internet, <URL: [https://www.amazon.com/dp/B08LRN8BQR/ref=sspa\\_dk\\_detail\\_1?pd\\_rd\\_i=B08LRN8BQR&pd\\_rd\\_w=IQfn3&pf\\_rd\\_p=5d846283-ed3e-4512-a744-a30f97c5d738&pd\\_rd\\_wg=Bb4WK&pf\\_rd\\_r=DENKGF AWZ5XZN3R2S JG7&pd\\_rd\\_r=f867ca8c-6c8b-4852-ae0-7ca41552c9bc&spLa=ZW5jcnlwdGVkUXVhbGlmaWVyPUExWIA4SEswN1dCSDZPJmVuY3J5cHRlZiEikPUEwNjI0ODEwMlhJNzdIMFpSR1c3TCZlbnNyeXB0ZWZlZiEikPUEwNTI5ODQzMtDzTDBEQUJQS0xYWlZ3aWRnZXROYWlIPXNwX2RldGFpbF90aGVtYXRpYyZhY3Rpb249Y2xpY2tSZWRpcmVjdCZkb05vdExvZ0NsaWNrPXRydWU&th=1](https://www.amazon.com/dp/B08LRN8BQR/ref=sspa_dk_detail_1?pd_rd_i=B08LRN8BQR&pd_rd_w=IQfn3&pf_rd_p=5d846283-ed3e-4512-a744-a30f97c5d738&pd_rd_wg=Bb4WK&pf_rd_r=DENKGF AWZ5XZN3R2S JG7&pd_rd_r=f867ca8c-6c8b-4852-ae0-7ca41552c9bc&spLa=ZW5jcnlwdGVkUXVhbGlmaWVyPUExWIA4SEswN1dCSDZPJmVuY3J5cHRlZiEikPUEwNjI0ODEwMlhJNzdIMFpSR1c3TCZlbnNyeXB0ZWZlZiEikPUEwNTI5ODQzMtDzTDBEQUJQS0xYWlZ3aWRnZXROYWlIPXNwX2RldGFpbF90aGVtYXRpYyZhY3Rpb249Y2xpY2tSZWRpcmVjdCZkb05vdExvZ0NsaWNrPXRydWU&th=1)>.\*

KST-RJ45C6A-P, Date Available: Oct. 26, 2017, [online], [retrieved on Aug. 31, 2021]. Retrieved from Internet, <URL: <https://shop.sommecable.com/en/Plug-Connectors/RJ45-CAT-FIBER/RJ45-CAT-6-8-pol-KST-RJ45C6A-P.html>>.\*

Internet Publication by Cable Matters, Date Available: Feb. 18, 2021, [online], [retrieved on Aug. 31, 2021]. Retrieved from Internet, <URL: <https://www.youtube.com/watch?v=mQH8m-uFQ3Y>>.\*

Rj45 1x4 Quad Port LP, Date not given, [online], [retrieved on Aug. 31, 2021]. Retrieved from Internet, <URL: <http://www.rj45-modularjack.com/sale-8076076-rj45-1x4-quad-port-lpj46404aenl-jx80-0033nl-magnetics-ethernet-jack-10-100mbps.html>>.\*

Newegg.com, [Online], "5 Port POE Switch Gigabit 4 Port Gigabit POE +1 Gigabit UPLink Ethernet Switch Wall Mountable 101001000 Mbps External Power Supply 60W 1 Pack," available on or before Oct. 6, 2021, [Retrieved on Oct. 6, 2021], retrieved from: URL<<https://www.newegg.com/p/0XP-00AE-00046?Item=9SIASDFD763077&Tpk=9SIASDFD763077>>, 3 pages.

Newegg.com, [Online], "Analog Telephone Adapter," available on or before Oct. 6, 2021, [Retrieved on Oct. 6, 2021 ], retrieved from: URL<<https://www.newegg.com/grandstream-gs-ht802-adapter/p/0Y1-003X-00046?Item=9SIA2F86R65837&Tpk=9SIA2F86R65837>>, 6 pages.

\* cited by examiner



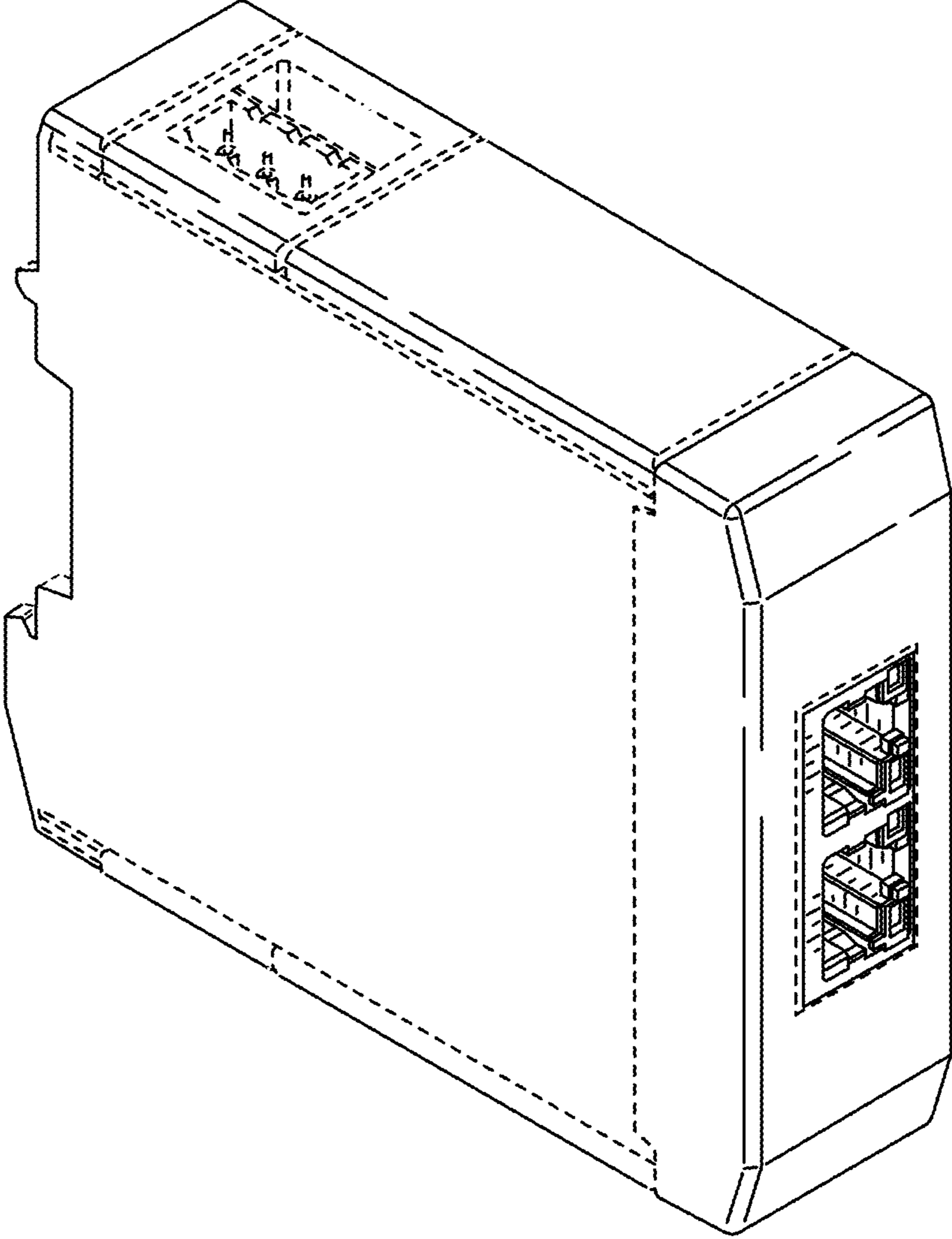


FIG. 1

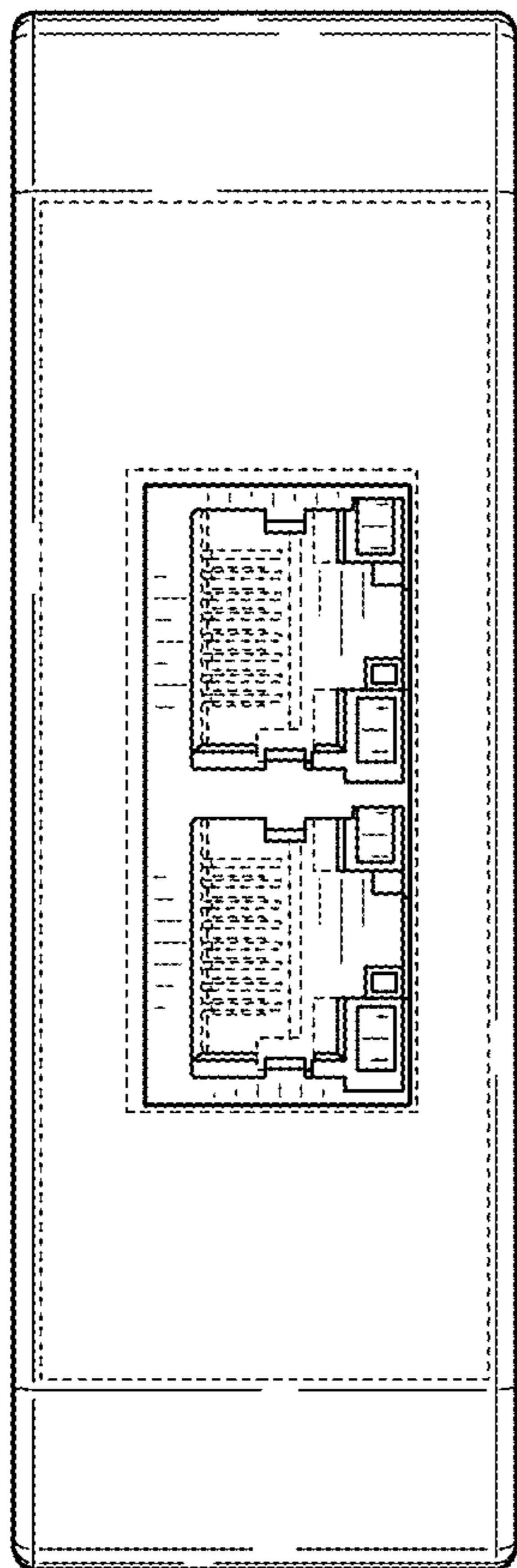


FIG. 2

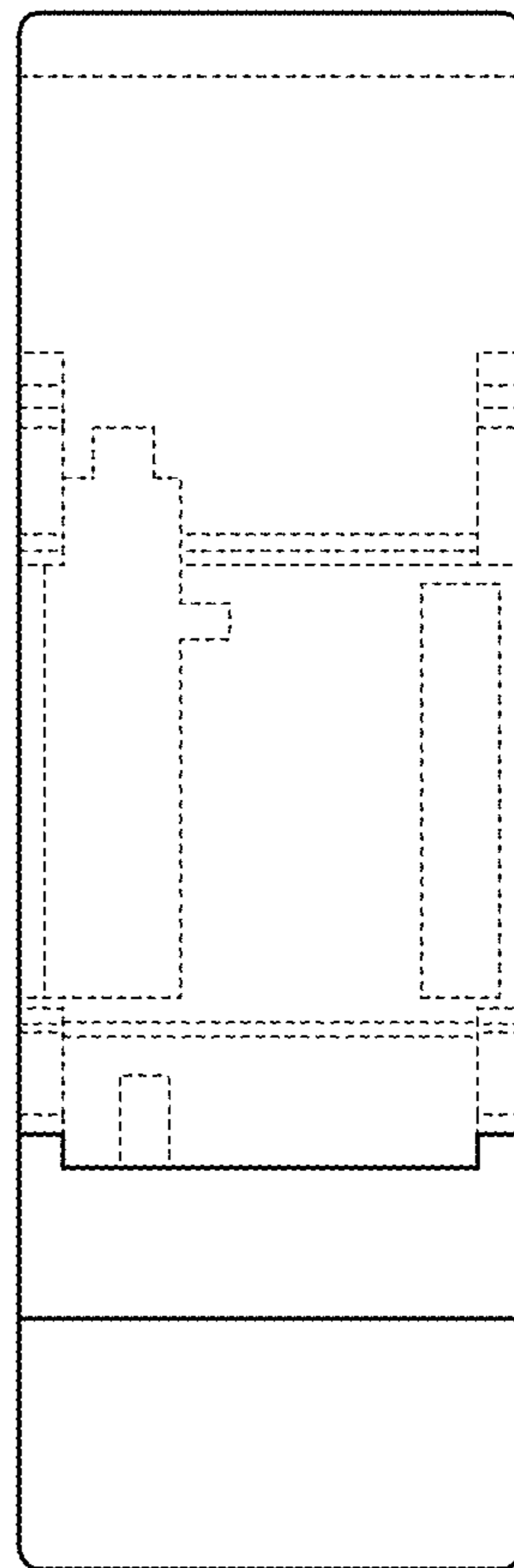


FIG. 3

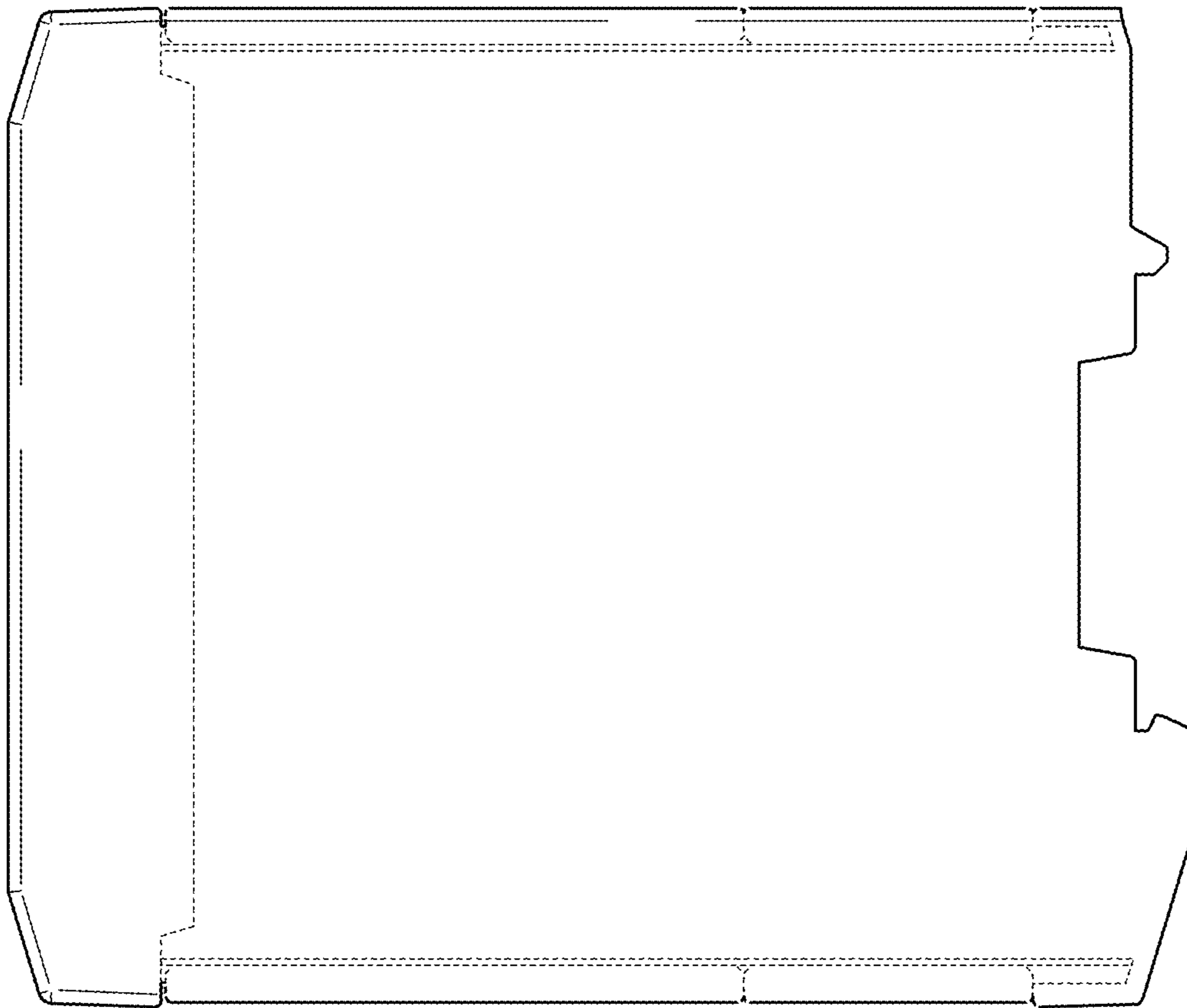


FIG. 4

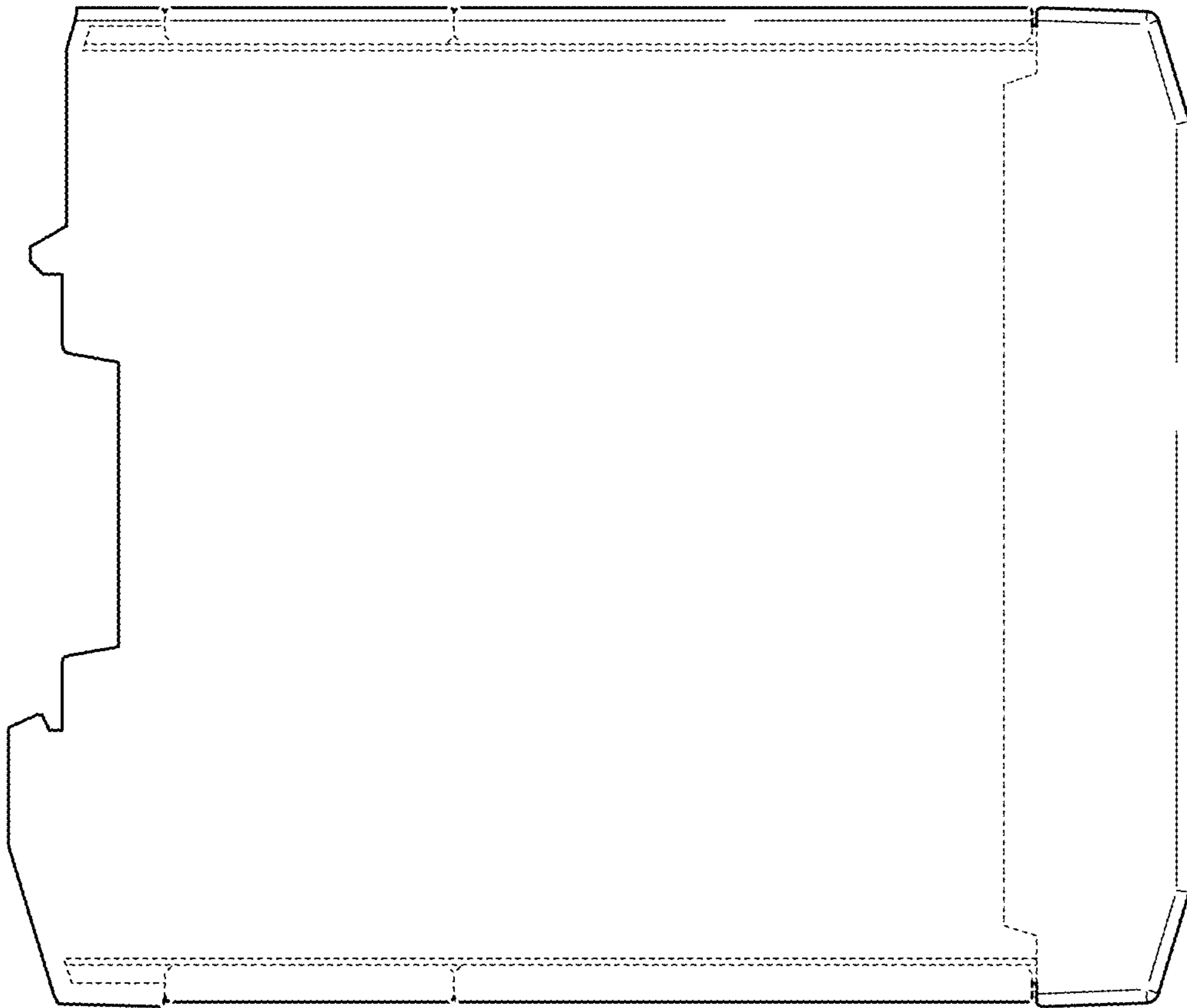


FIG. 5

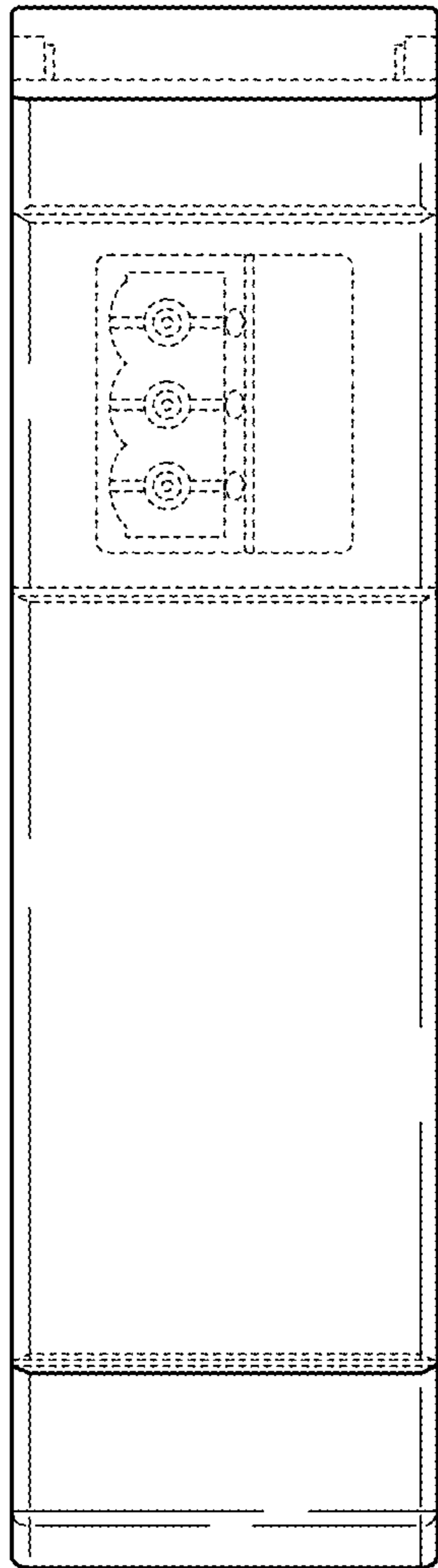


FIG. 6

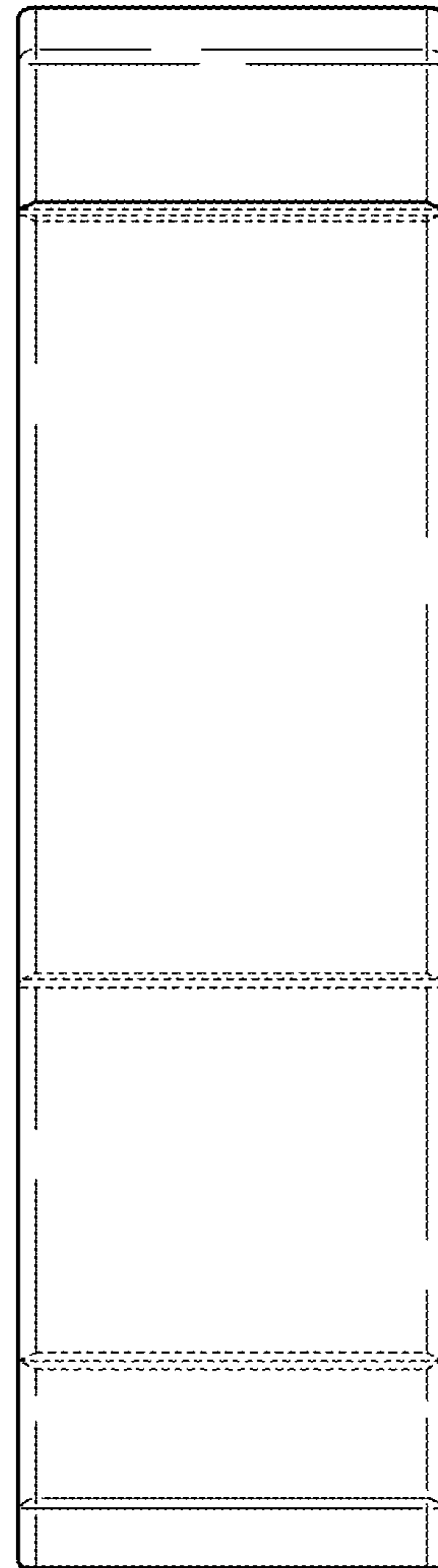


FIG. 7

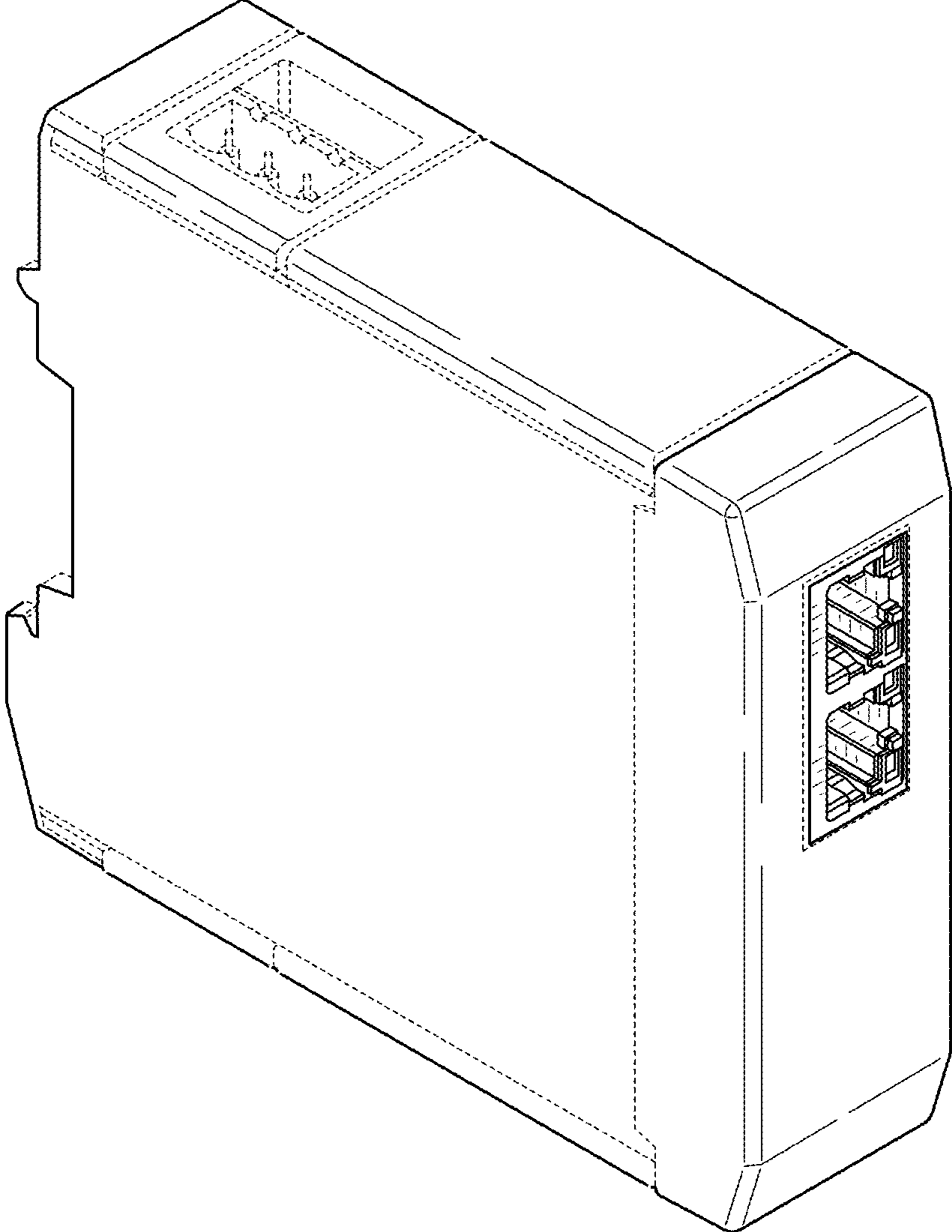


FIG. 8



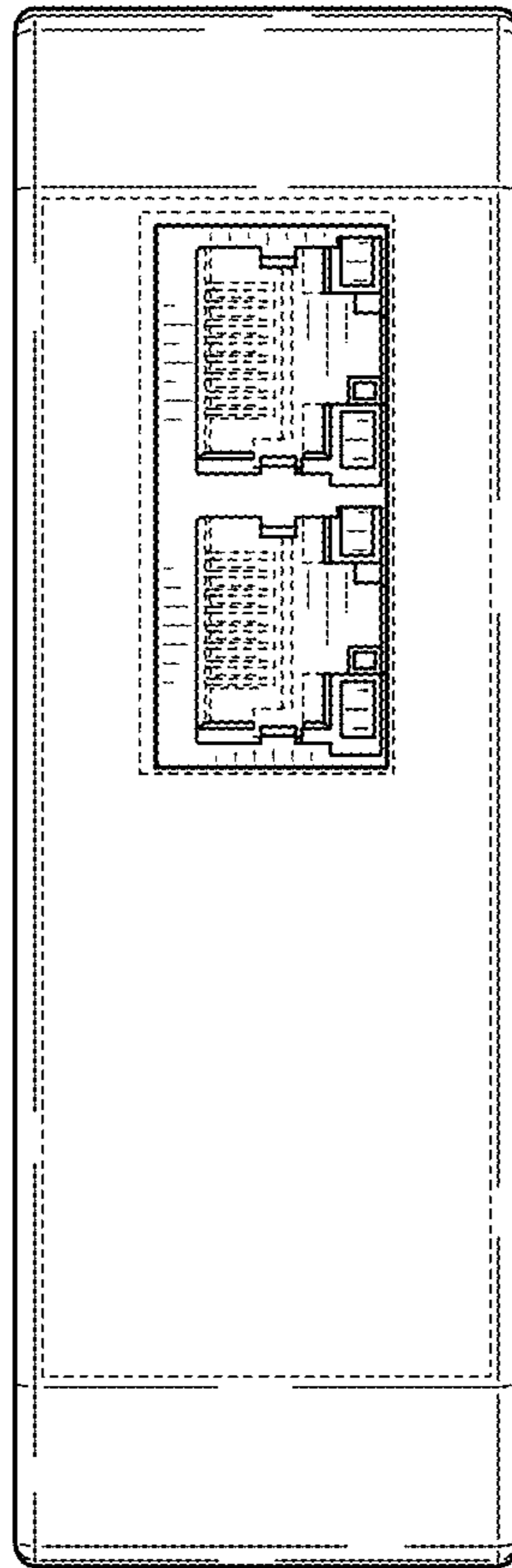


FIG. 9

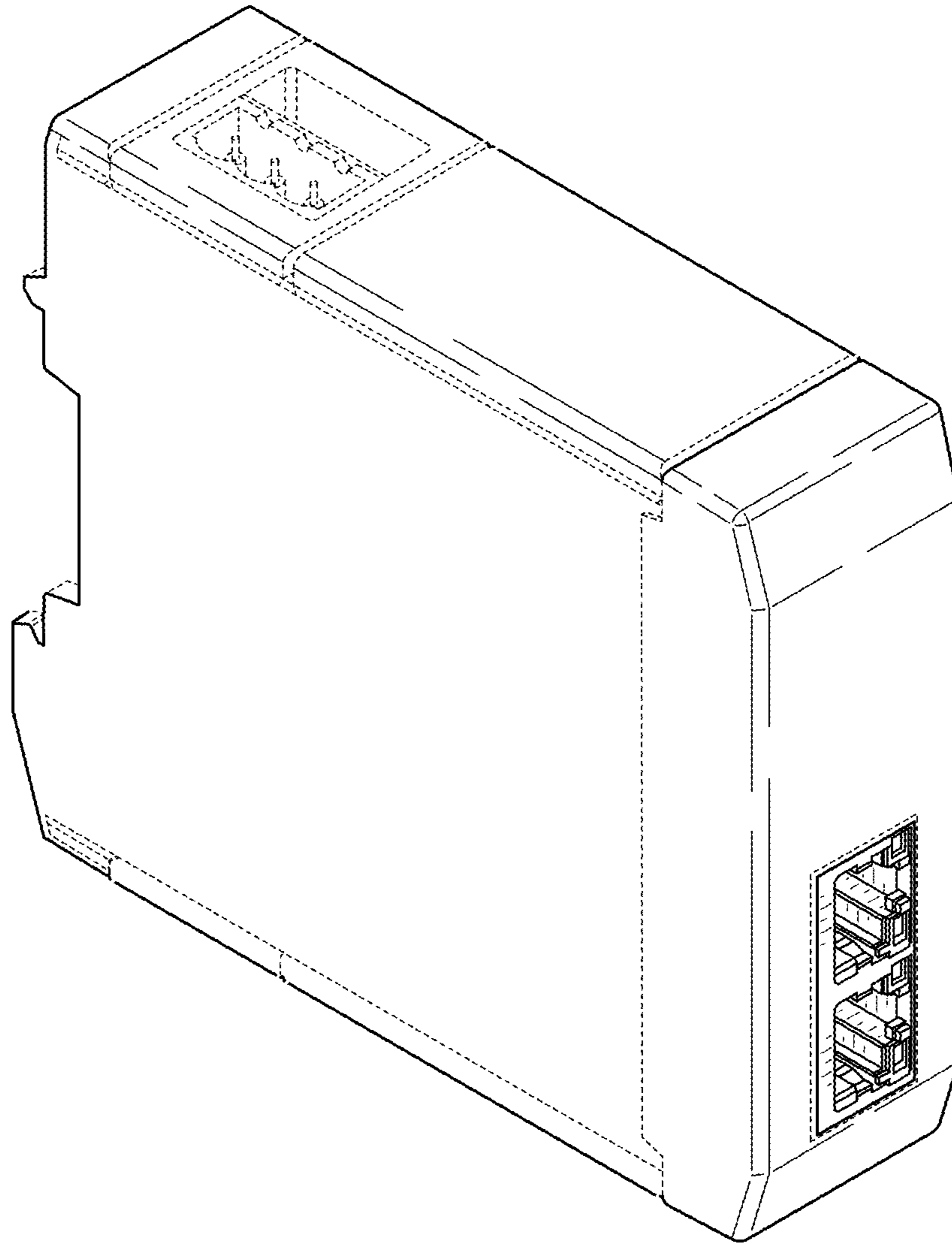


FIG. 10

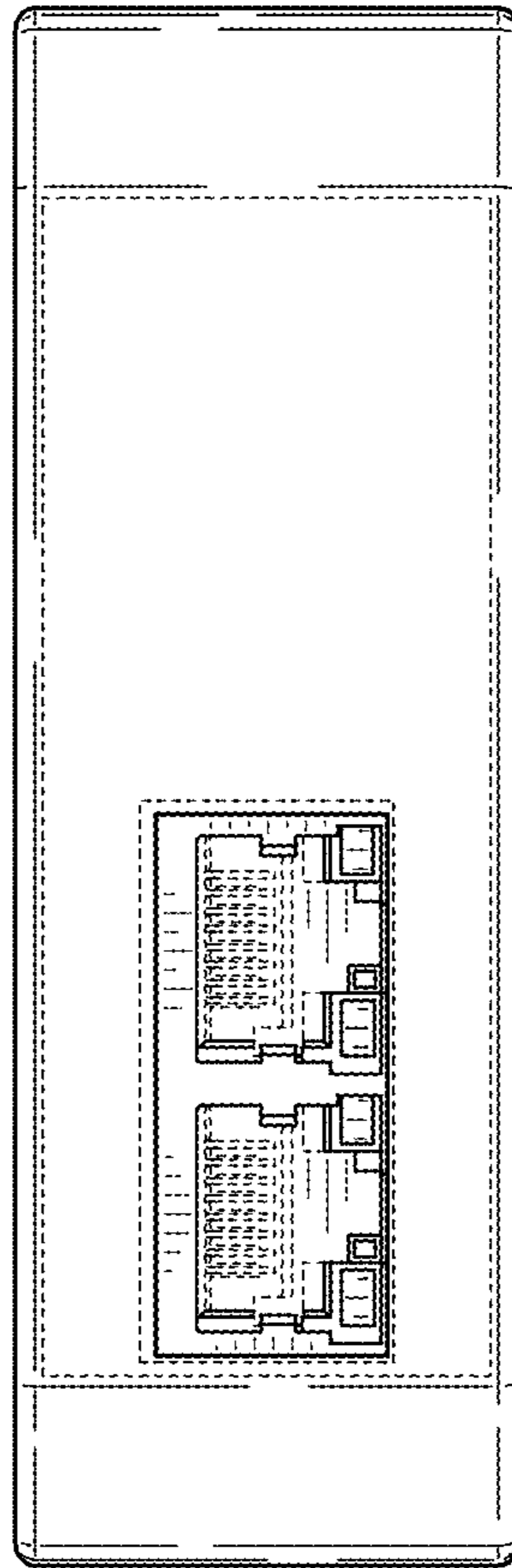


FIG. 11