



US00D943561S

(12) **United States Design Patent** (10) **Patent No.:** **US D943,561 S**
Xu et al. (45) **Date of Patent:** **** Feb. 15, 2022**

(54) **TV CART**
(71) Applicant: **IWORKHUB LIMITED**, Hong Kong (CN)
(72) Inventors: **Hao Xu**, Hong Kong (CN); **Jia Zhou**, Hong Kong (CN)
(73) Assignee: **IWORKHUB LIMITED**, Hong Kong (CN)
(**) Term: **15 Years**
(21) Appl. No.: **29/722,869**
(22) Filed: **Feb. 3, 2020**

D695,031 S * 12/2013 Jehs D6/349
D727,642 S * 4/2015 Mark D6/349
D801,416 S * 10/2017 Vance D16/244
D900,067 S * 10/2020 Entelis D14/224
D923,379 S * 6/2021 Gfesser D6/708
2021/0257709 A1* 8/2021 Ruiz H01Q 1/1207

(30) **Foreign Application Priority Data**
Nov. 28, 2019 (CN) 201930659446.9
(51) **LOC (13) Cl.** **14-04**
(52) **U.S. Cl.**
USPC **D14/239**
(58) **Field of Classification Search**
USPC D6/300, 308, 310-314, 320, 322, 407,
D6/553, 525, 567, 672, 701, 708;
D8/363, 373, 349, 394; D14/113, 211,
D14/238, 239, 251, 254, 255, 243, 336,
D14/125-129, 447, 448, 450, 451, 452,
D14/492; D20/10, 19, 21, 99
CPC F16M 11/28; F16M 11/2092; F16M 11/04
See application file for complete search history.

OTHER PUBLICATIONS

WH3001 Swivel Flip Metal Mobile Floor TV Cart, announced N/A [online], [site visited Oct. 13, 2021]. Available from internetm URL:<<https://www.iworkhub.com/products/wh3001-swivel-adjustable-metal-mobile-floor-tv-stand.html>>.*

* cited by examiner

Primary Examiner — Khawaja Anwar
Assistant Examiner — Megan Tiana Rakos
(74) *Attorney, Agent, or Firm* — Dinsmore & Shohl LLP

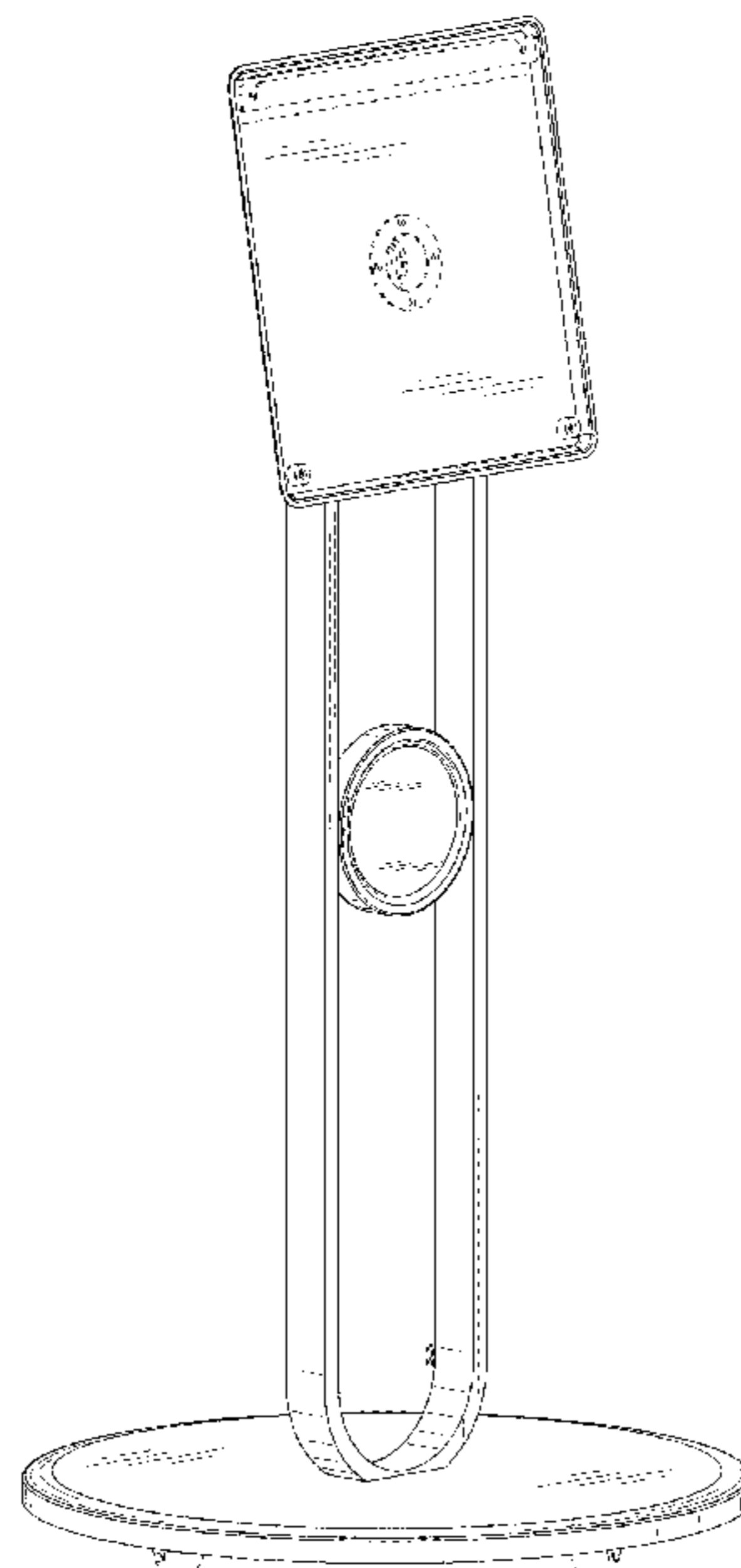
(56) **References Cited**
U.S. PATENT DOCUMENTS
D282,320 S * 1/1986 Anderson D16/244
D290,886 S * 7/1987 Meoli D26/138
7,370,908 B2 * 5/2008 Crowell A47C 4/02
108/118

(57) **CLAIM**
The ornamental design for a TV cart, as shown and described.

DESCRIPTION

FIG. 1 is a front perspective view of a TV cart showing our new design.
FIG. 2 is a rear perspective view thereof.
FIG. 3 is a front view thereof.
FIG. 4 is a rear view thereof.
FIG. 5 is a left side view thereof.
FIG. 6 is a right side view thereof.
FIG. 7 is a top side view thereof; and,
FIG. 8 is a bottom side view thereof.
The broken lines in figures show portions of the TV cart that form no part of the claimed design.

1 Claim, 8 Drawing Sheets



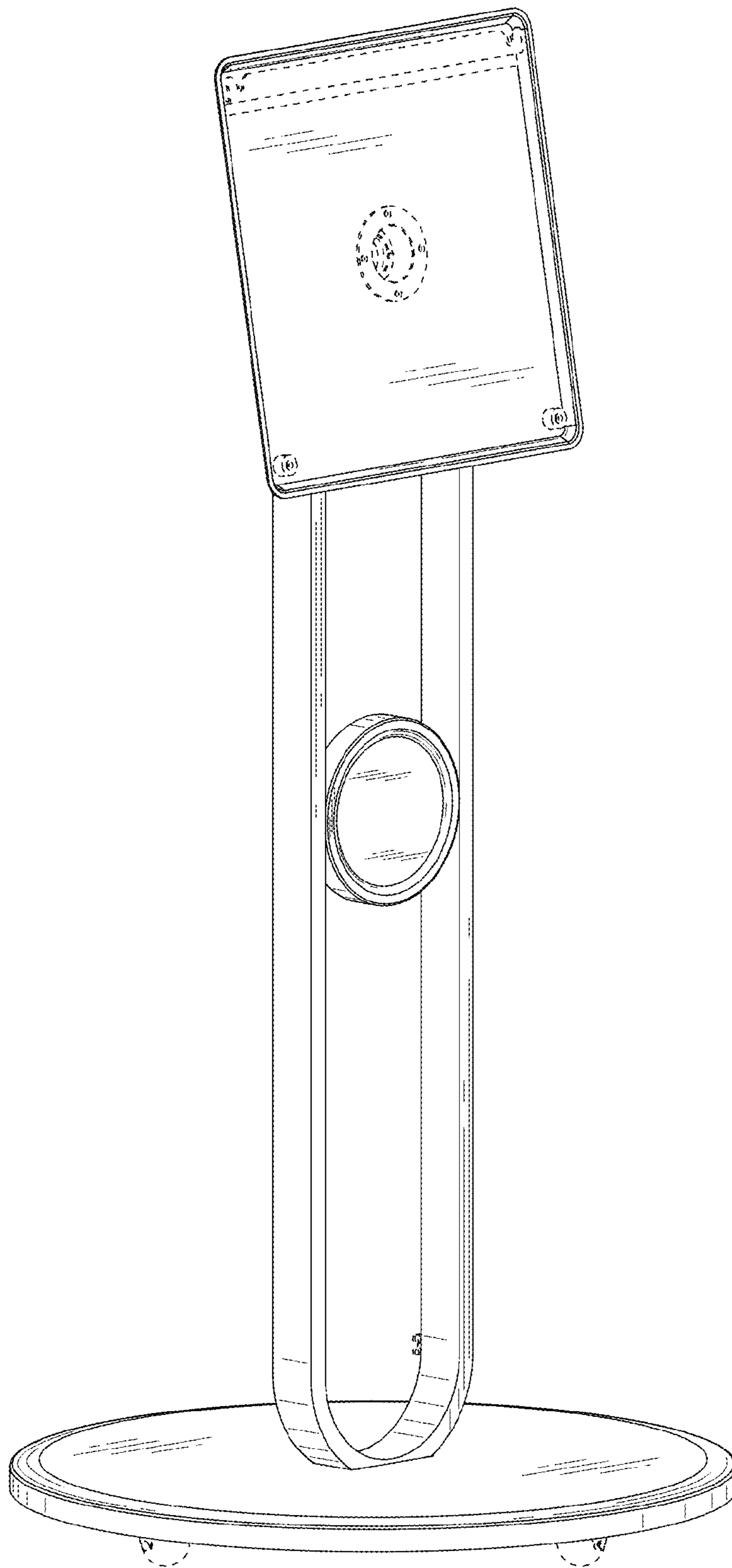


FIG. 1

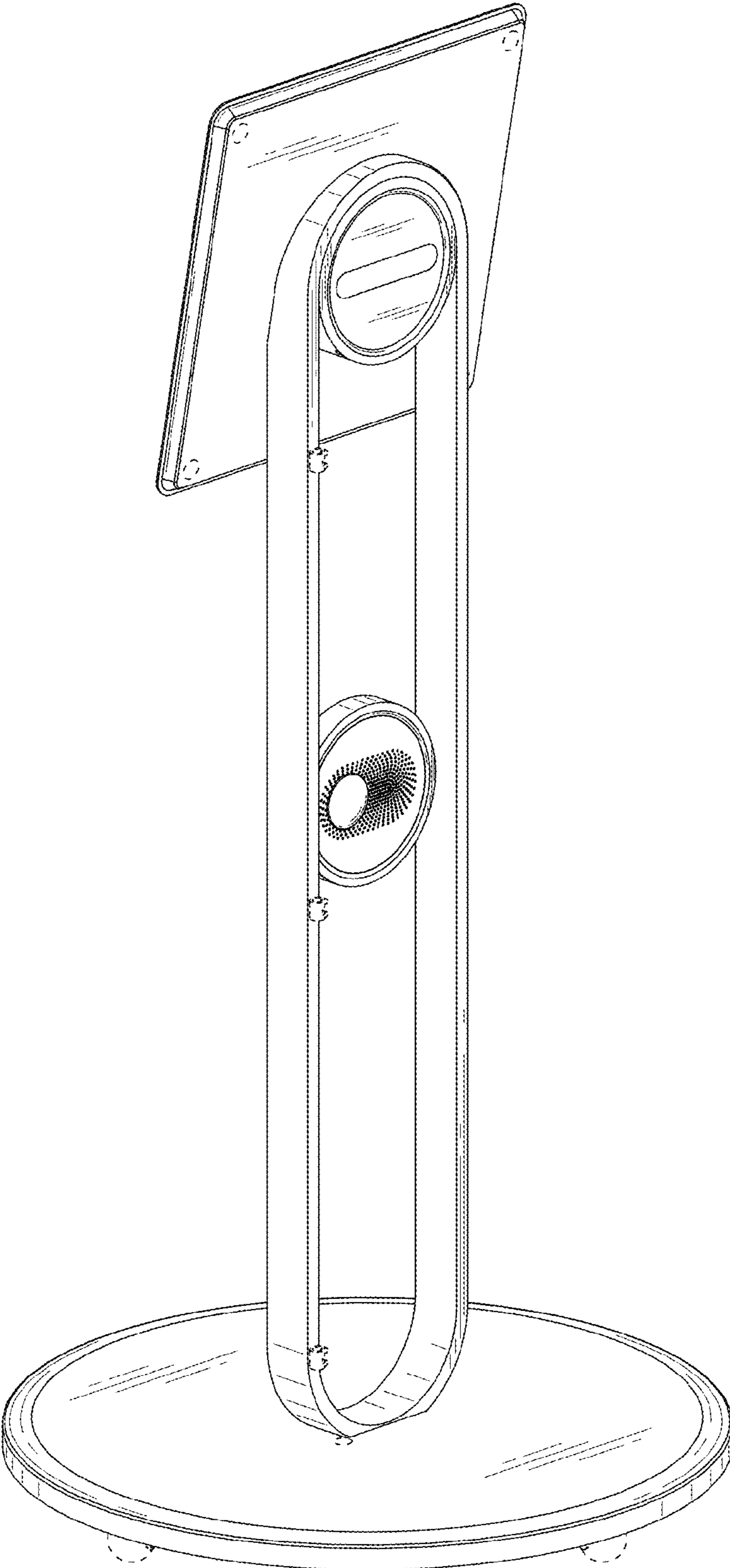


FIG. 2

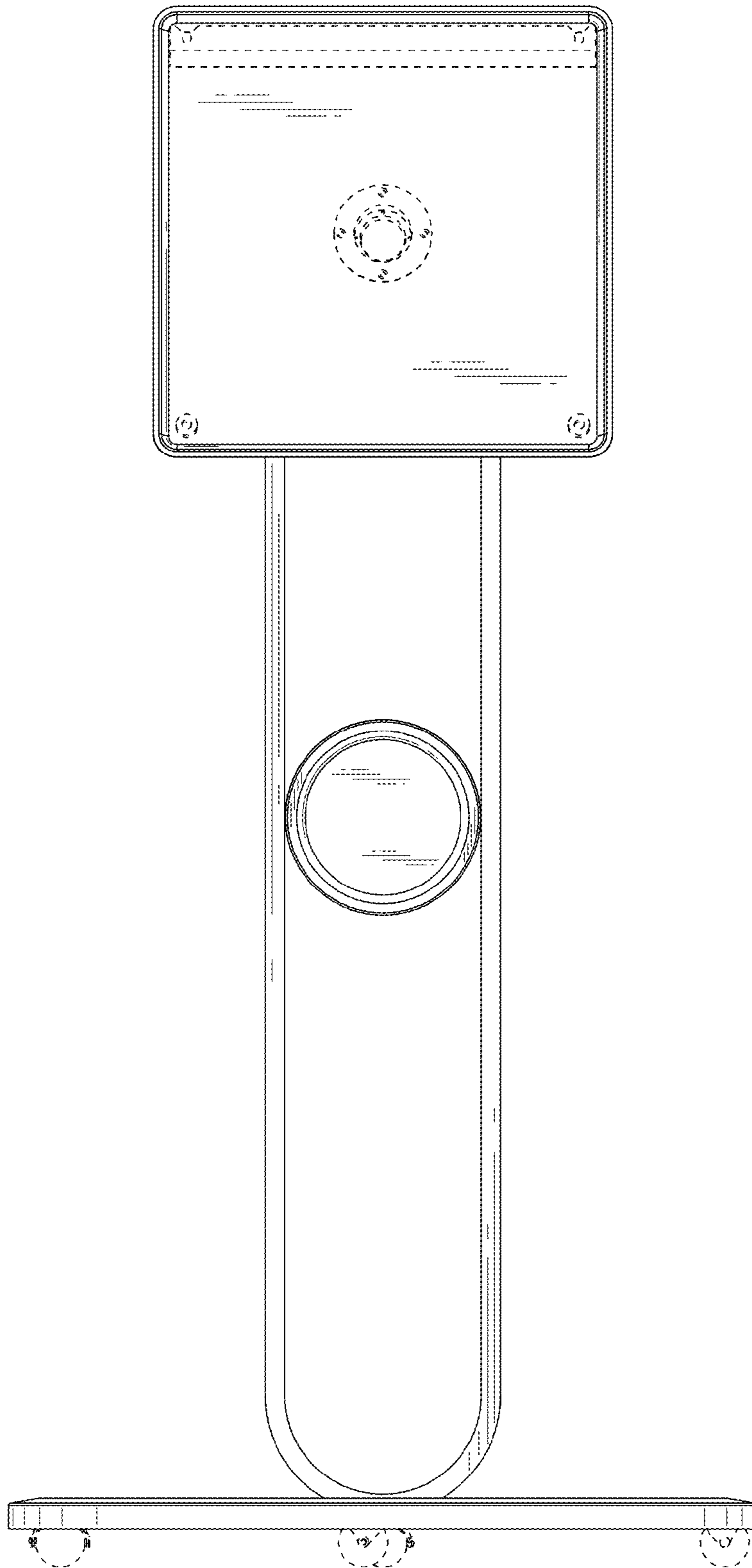


FIG. 3

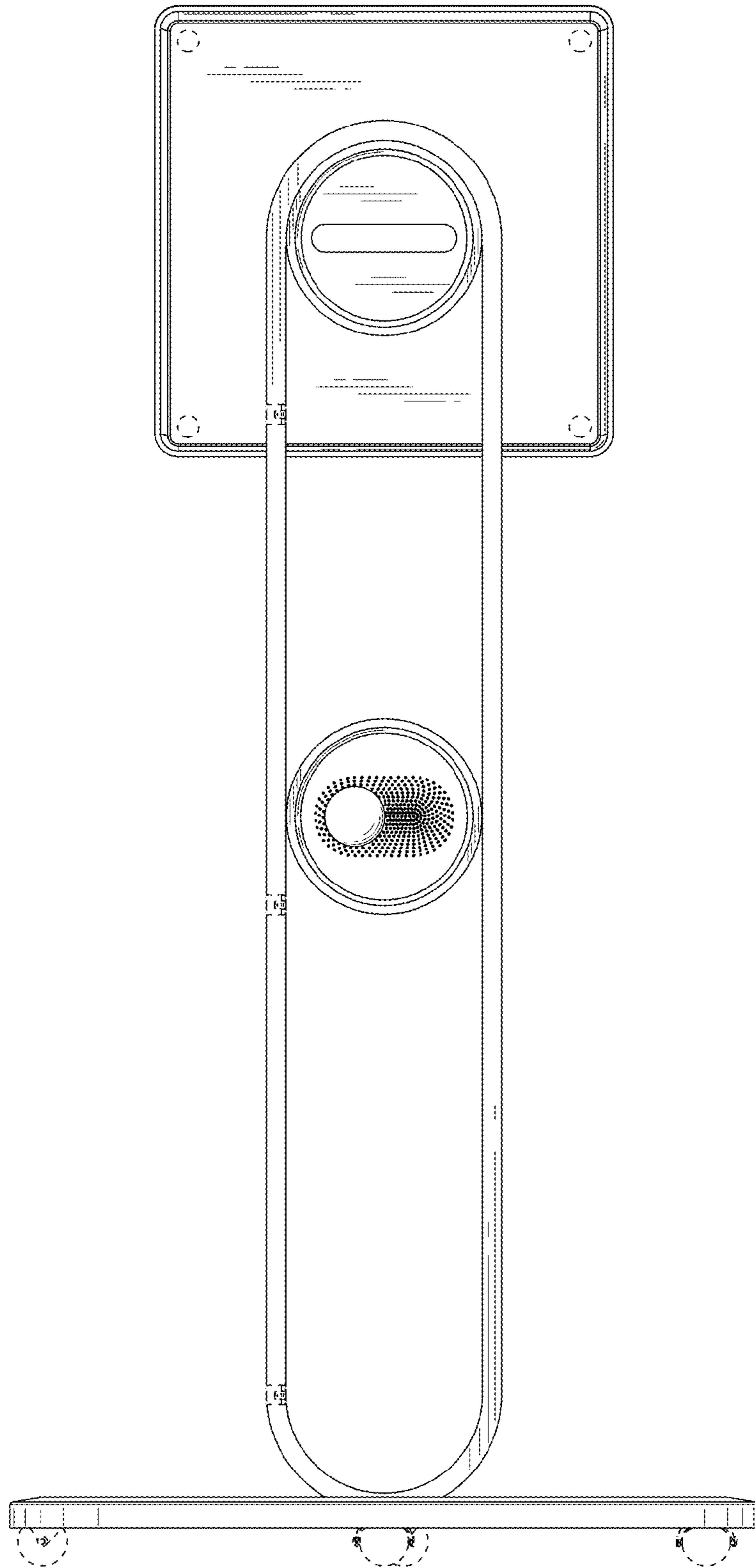


FIG. 4

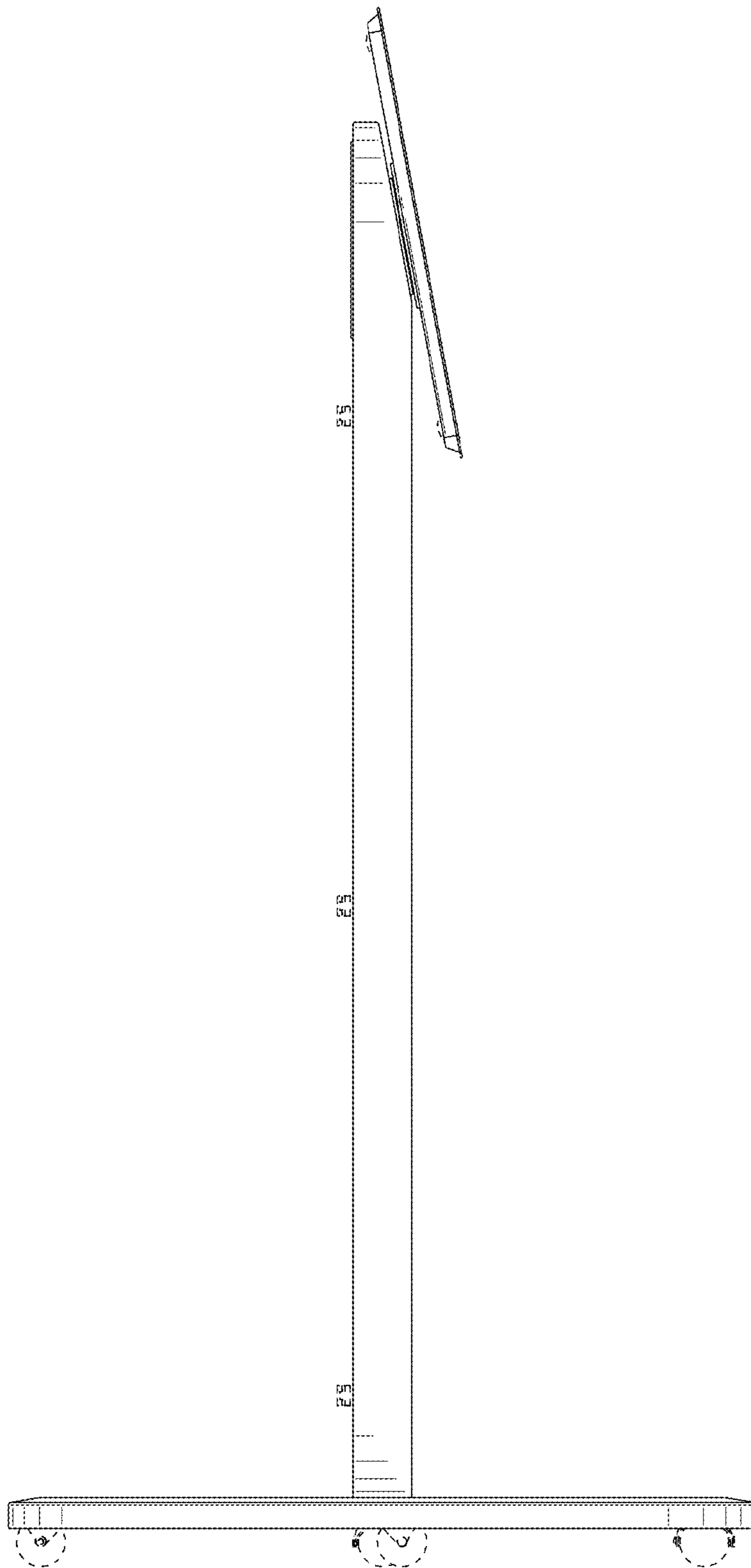


FIG. 5

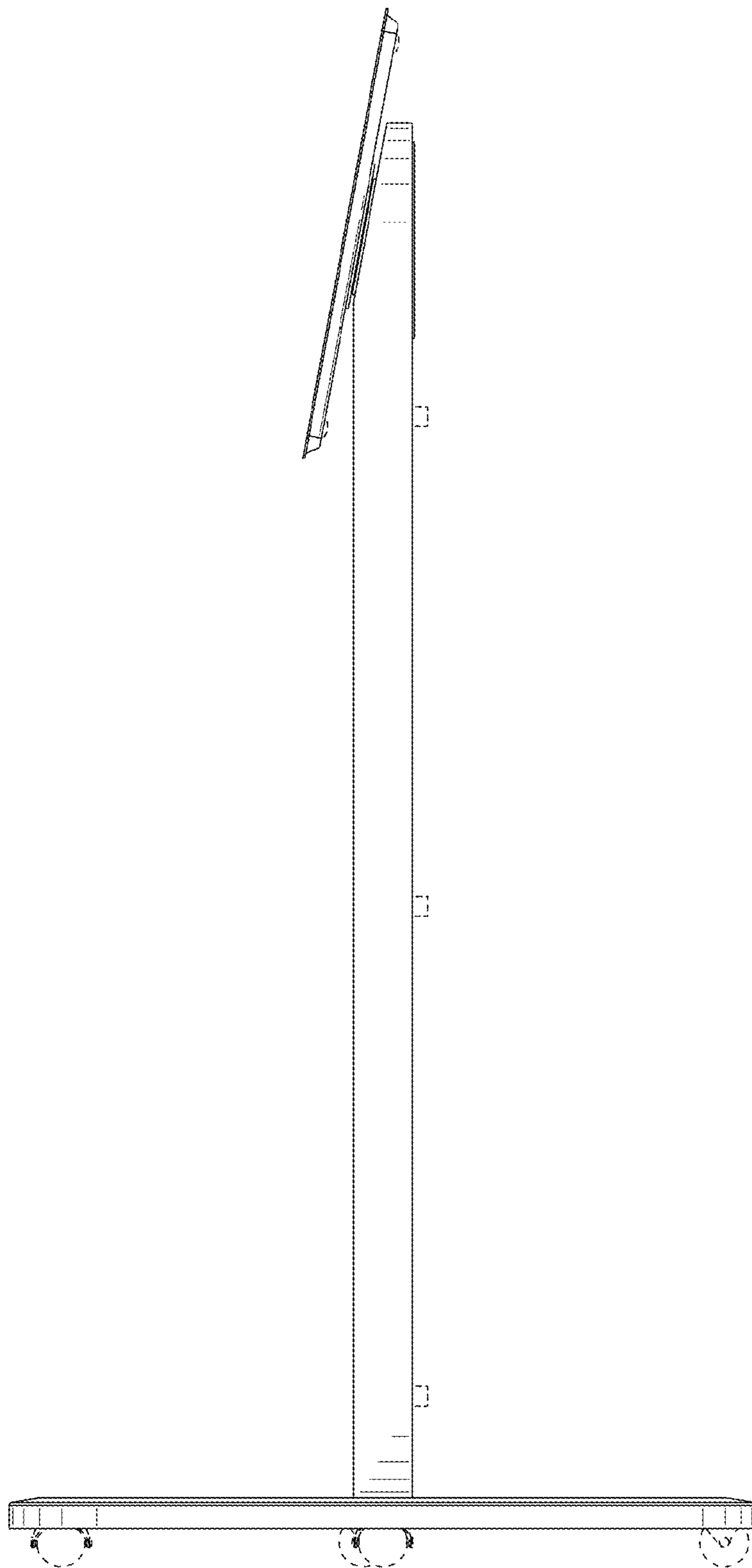


FIG. 6

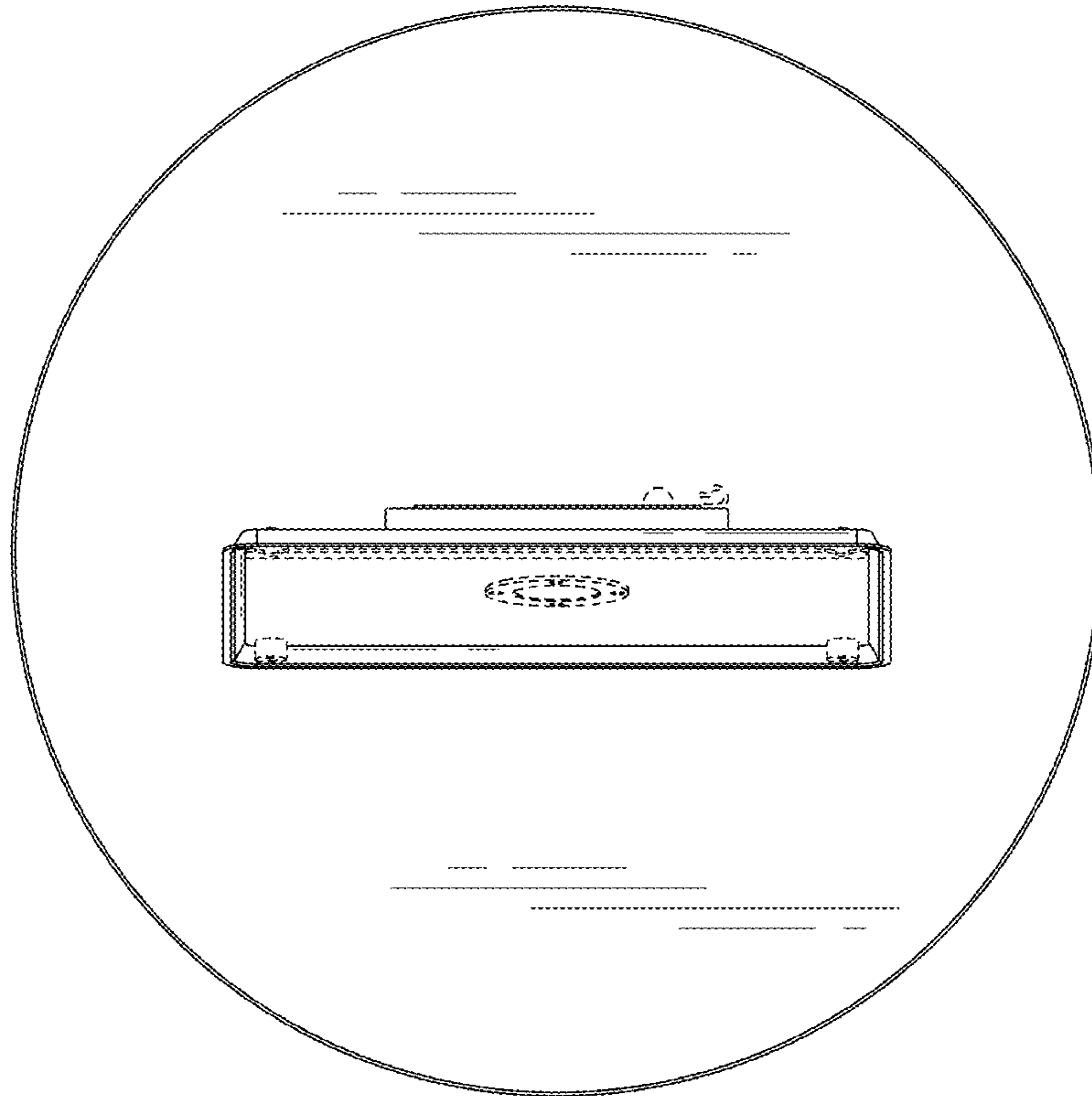


FIG. 7

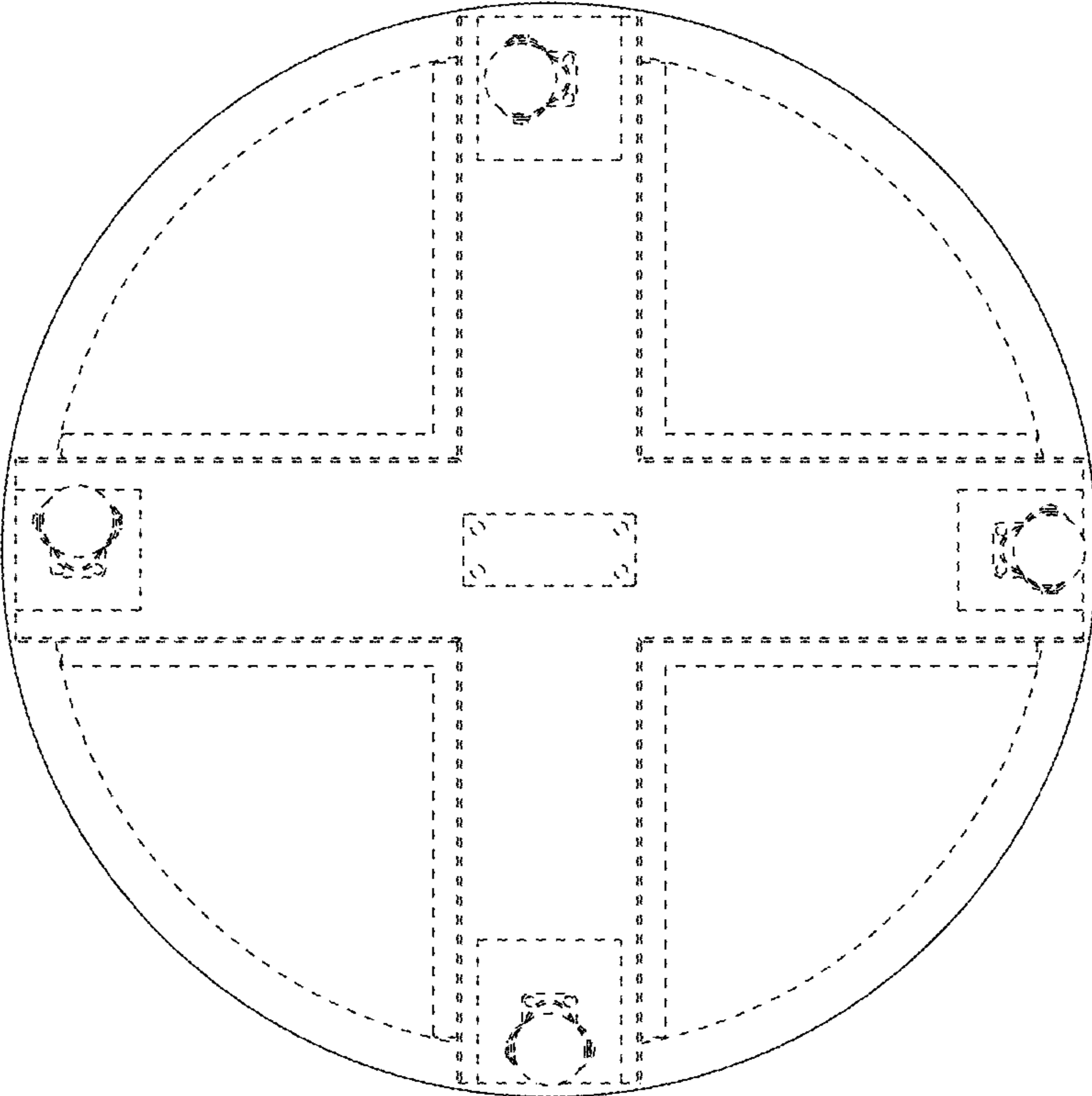


FIG. 8