



US00D943556S

(12) **United States Design Patent** (10) **Patent No.:** **US D943,556 S**  
**Herbst et al.** (45) **Date of Patent:** **\*\* Feb. 15, 2022**

(54) **WIRELESS EARPHONE**  
(71) Applicant: **Logitech Europe S.A.**, Lausanne (CH)  
(72) Inventors: **Scot Herbst**, Santa Cruz, CA (US);  
**Elisabeth Morris**, Santa Cruz, CA (US); **William Hunter**, Denver, CO (US); **Navi Cohen**, Sunnyvale, CA (US); **Victor Sanchez**, San Jose, CA (US); **Michael Joseph Roy**, Portland, OR (US)

(73) Assignee: **LOGITECH EUROPE S.A.**, Lausanne (CH)

(\*\*) Term: **15 Years**

(21) Appl. No.: **29/747,964**

(22) Filed: **Aug. 26, 2020**

(51) **LOC (13) Cl.** ..... **14-01**

(52) **U.S. Cl.**  
USPC ..... **D14/223**

(58) **Field of Classification Search**  
USPC ..... D14/223, 205, 206; D24/106, 174;  
128/864, 865, 866; 181/129, 130, 135;  
379/430, 431; 381/380, 381, 322-324,  
381/330; 455/90.3, 575, 1, 569.1  
CPC ..... H04R 1/10; H04R 25/00; H04R 1/1016;  
H04R 1/1066; H04R 5/033; H04R  
5/0335; H04R 1/1091; H04R 1/1058;  
H04R 1/105; H04R 1/1083  
See application file for complete search history.

(56) **References Cited**

**U.S. PATENT DOCUMENTS**

D512,049 S \* 11/2005 Yang ..... D14/205  
D637,184 S \* 5/2011 March ..... D14/223

D664,125 S \* 7/2012 Koch ..... D14/223  
D693,796 S \* 11/2013 Birger ..... D14/223  
D707,659 S \* 6/2014 Henning ..... D14/223  
D745,863 S \* 12/2015 Hardi ..... D14/223  
D776,641 S \* 1/2017 Rochat ..... D14/223  
D848,981 S \* 5/2019 Kim ..... D14/223  
D872,063 S \* 1/2020 Arimoto ..... D14/223  
D876,399 S 2/2020 Duddy et al.  
D883,257 S 5/2020 Duddy  
D897,995 S 10/2020 Duddy et al.  
D900,066 S \* 10/2020 Park ..... D14/223  
D901,456 S \* 11/2020 Huang ..... D14/223  
D904,352 S \* 12/2020 Park ..... D14/223  
D925,495 S \* 7/2021 Liu ..... D14/223

\* cited by examiner

*Primary Examiner* — Katie Jane Stofko

(74) *Attorney, Agent, or Firm* — Patterson & Sheridan, LLP

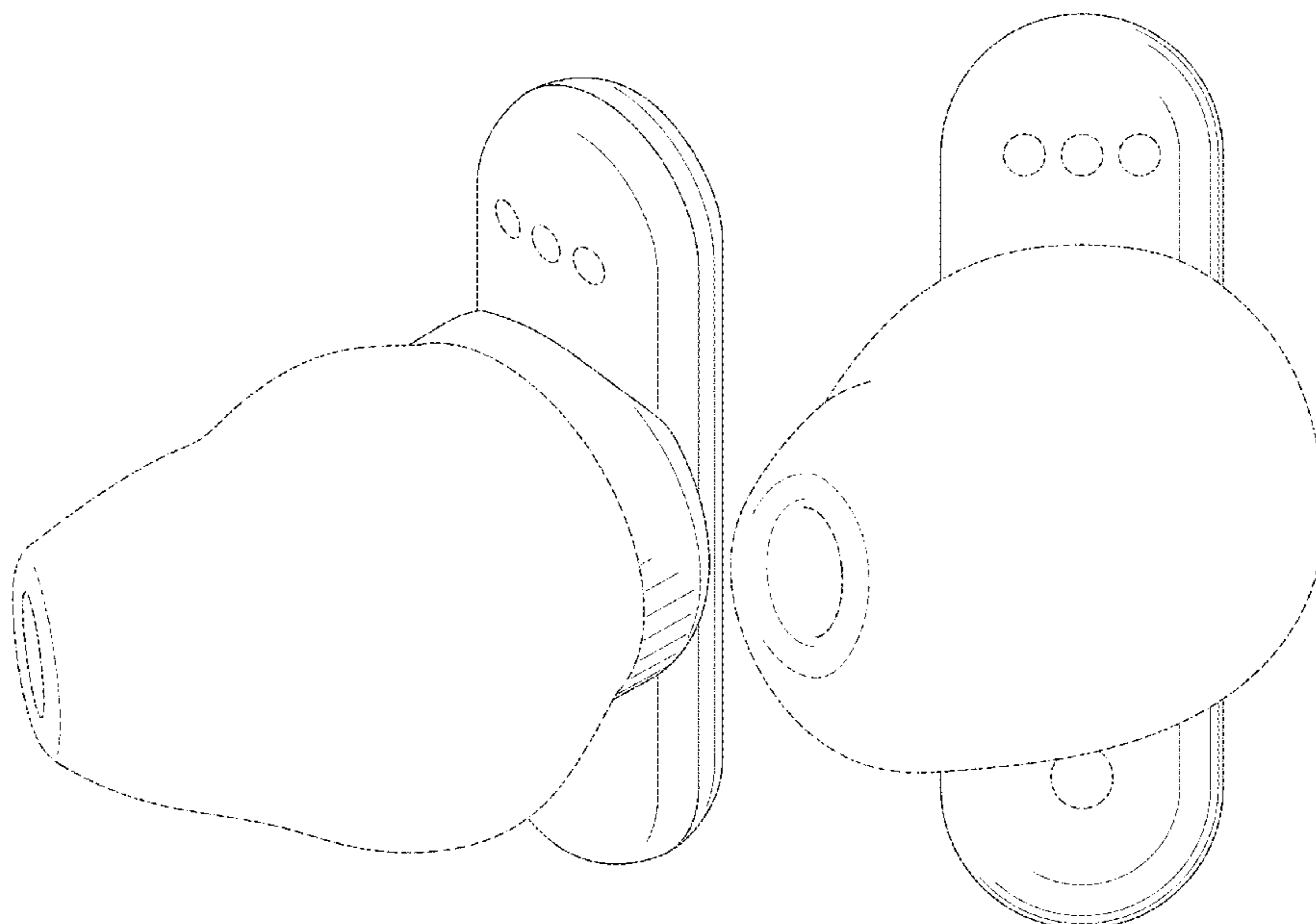
(57) **CLAIM**

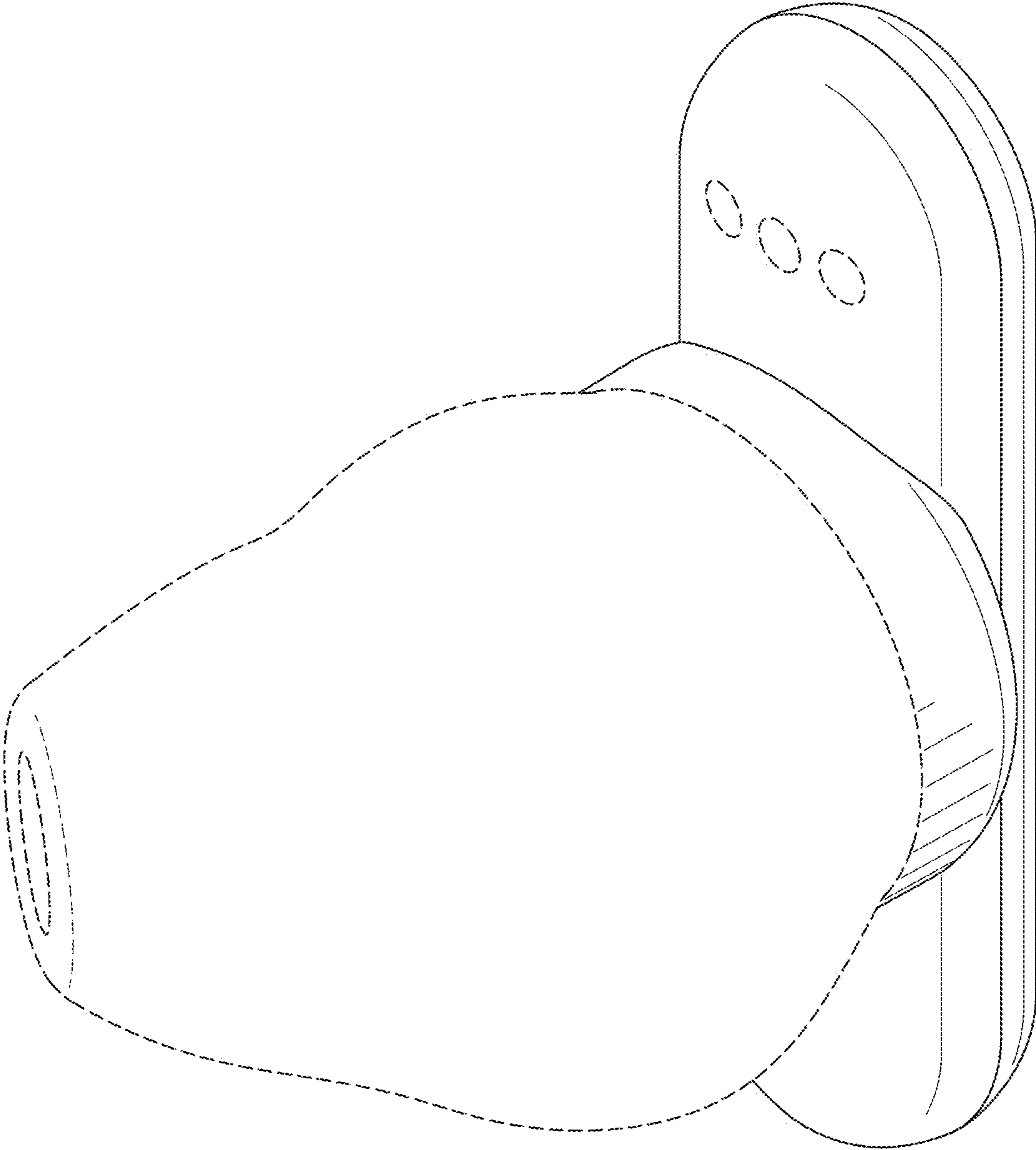
The ornamental design of a wireless earphone, as shown and described.

**DESCRIPTION**

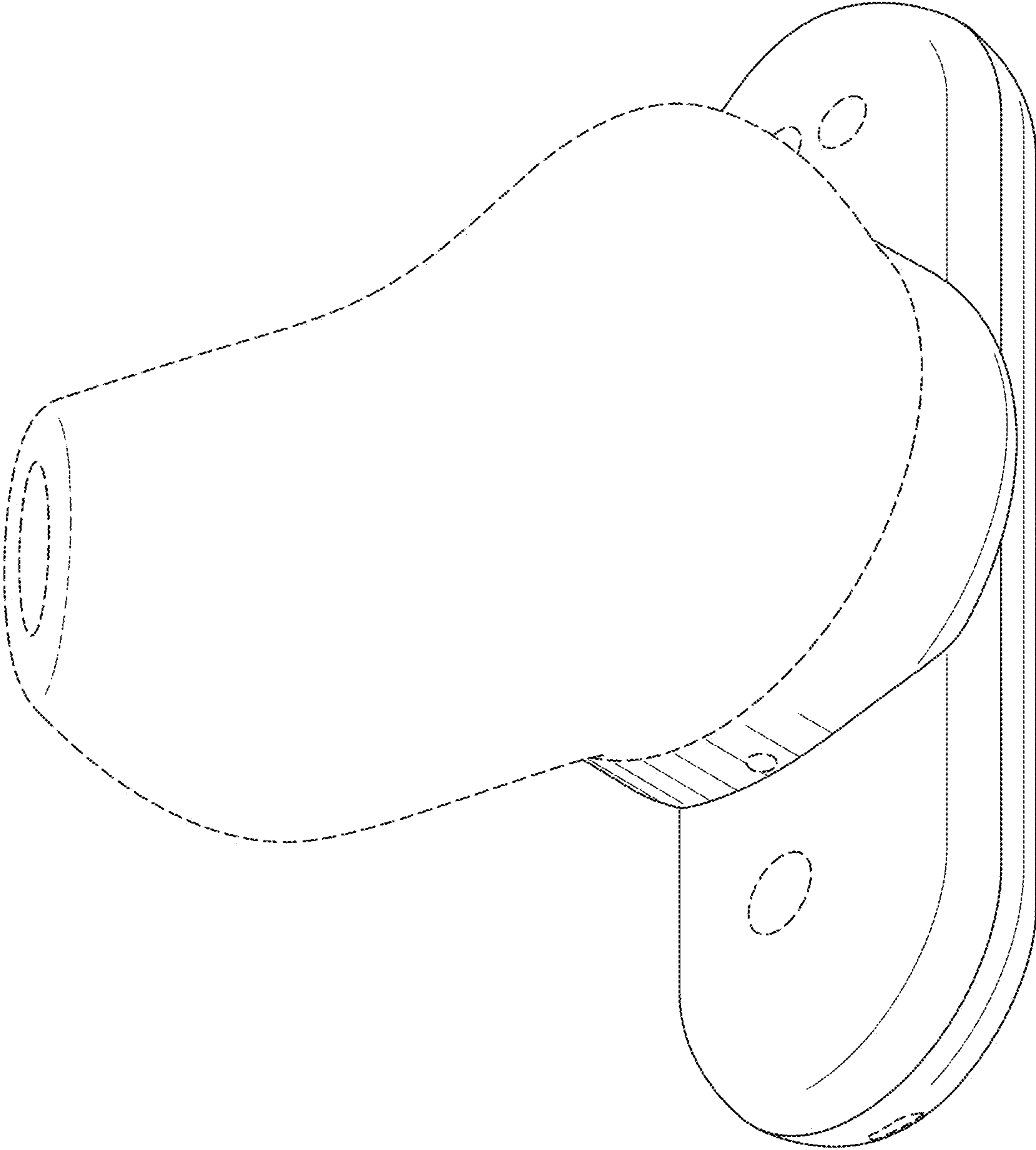
FIG. 1 is a front, top, right side perspective view of a wireless earphone showing the new design; FIG. 2 is a front, bottom, right side perspective view thereof; FIG. 3 is a rear, bottom, left side perspective view thereof; FIG. 4 is a right side elevation view thereof; FIG. 5 is a rear elevation view thereof; FIG. 6 is a left side elevation view thereof; FIG. 7 is a front elevation view thereof; FIG. 8 is a bottom plan view thereof; and, FIG. 9 is a top plan view thereof. The broken lines shown in FIGS. 1-9 illustrate portions of the wireless earphone that form no part of the claimed design.

**1 Claim, 9 Drawing Sheets**

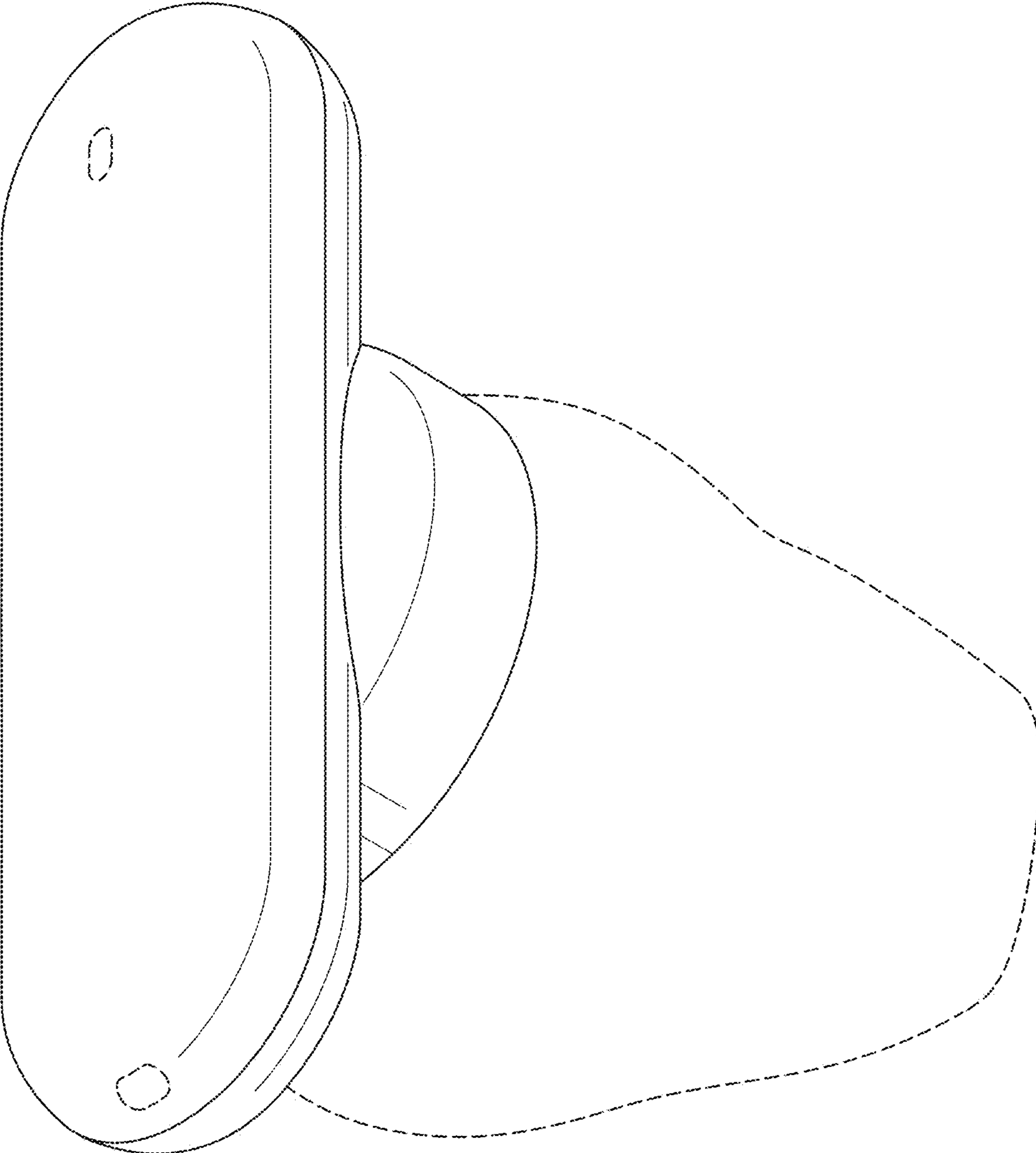




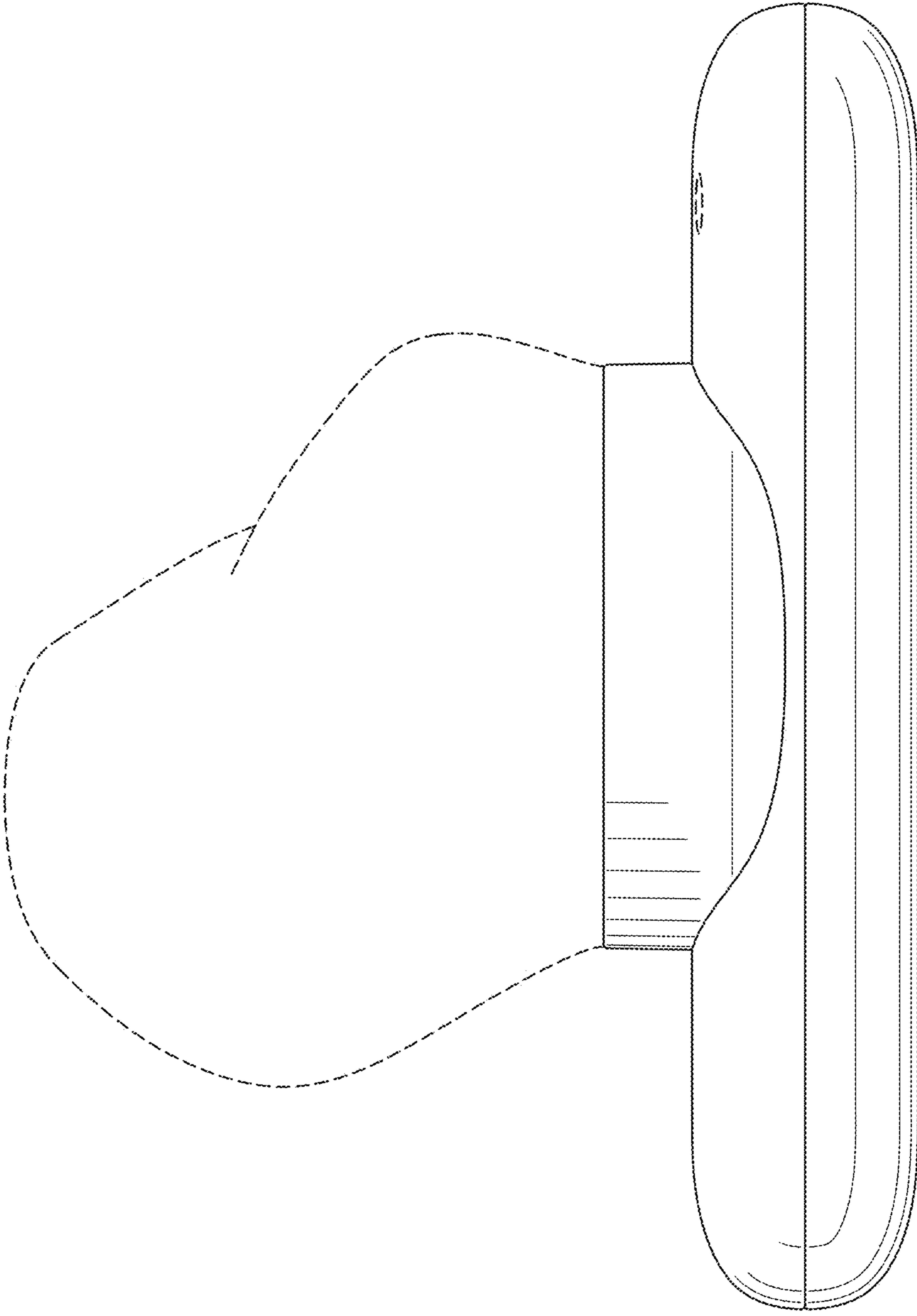
*Fig. 1*



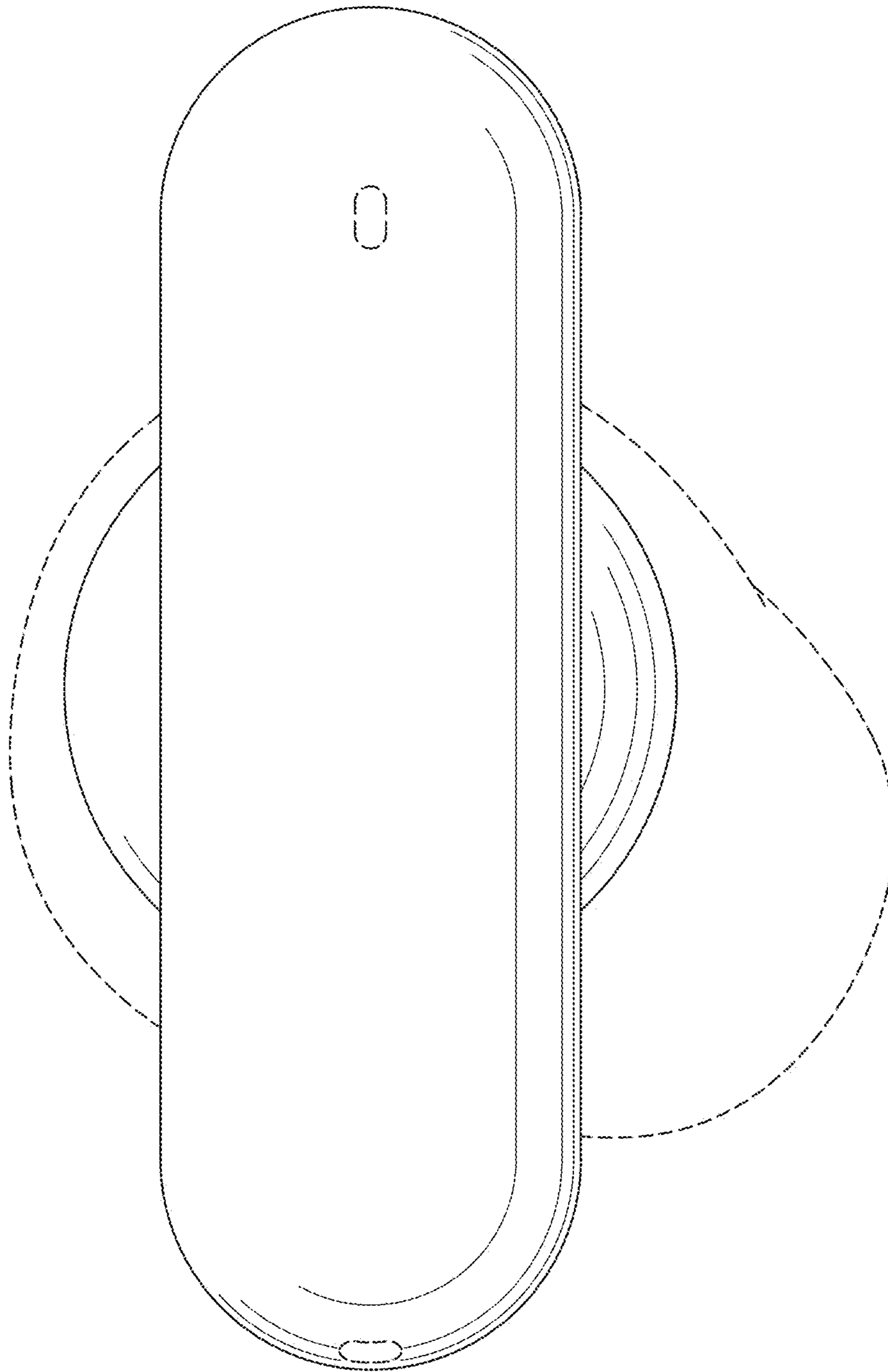
*Fig. 2*



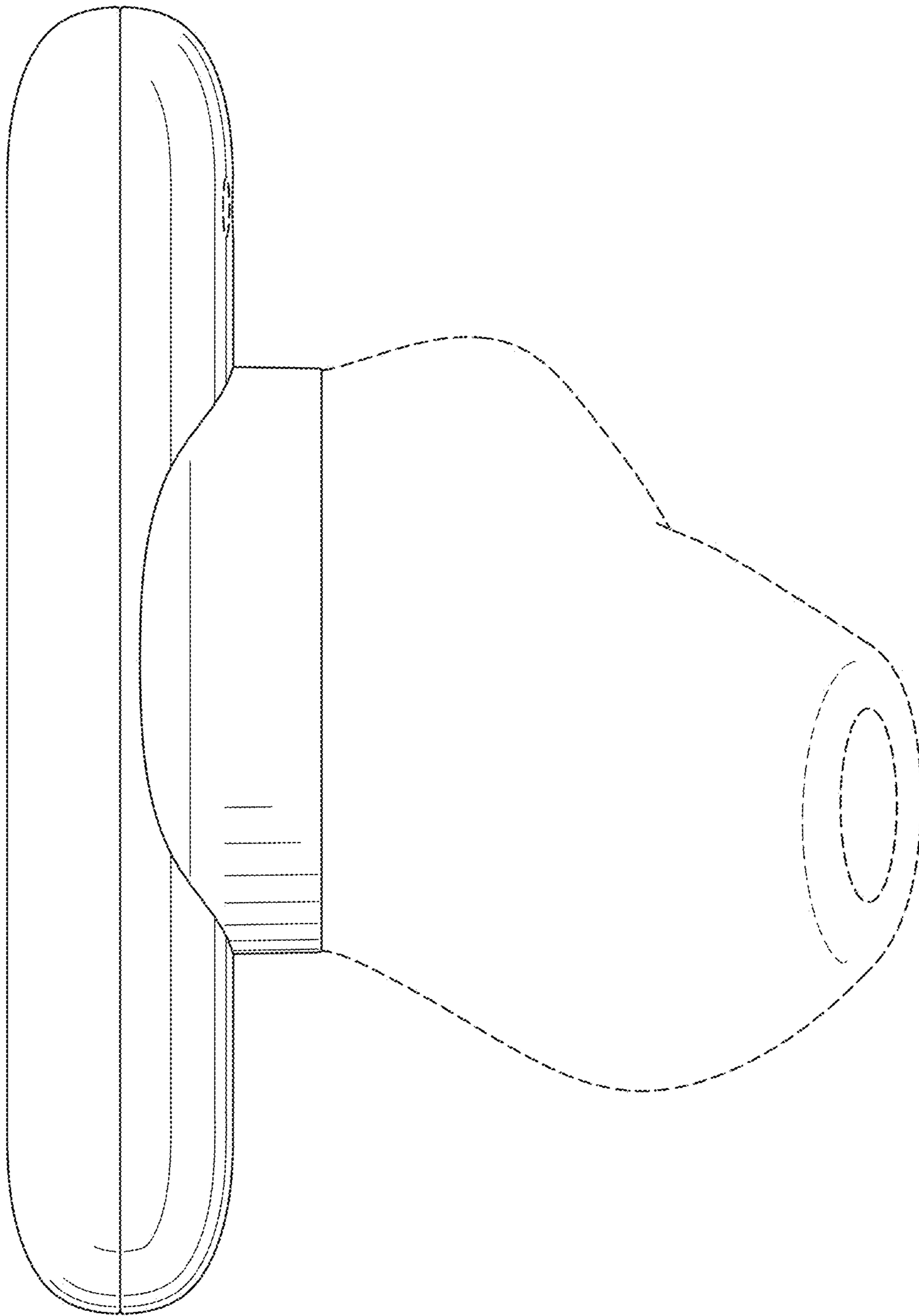
*Fig. 3*



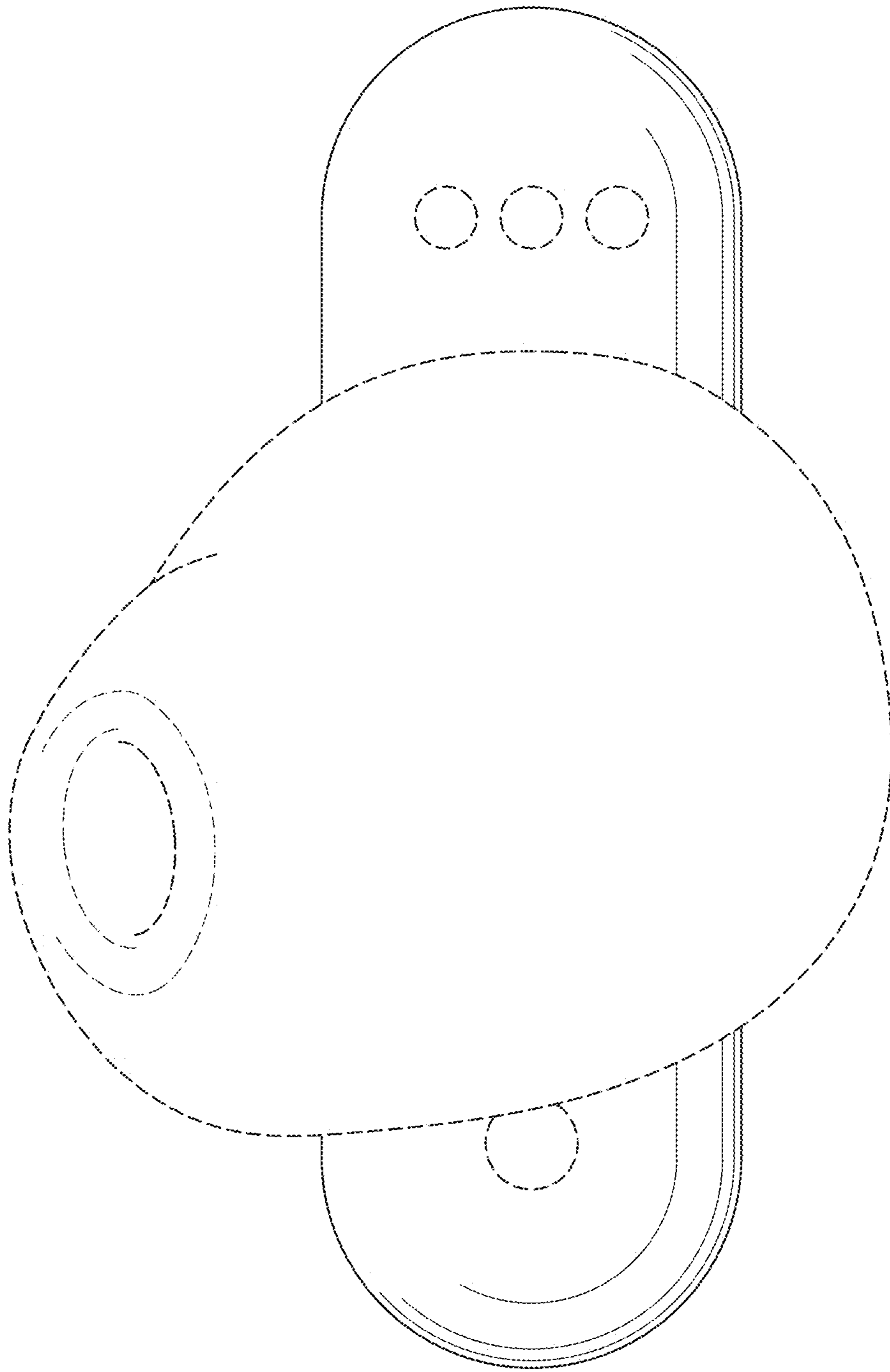
*Fig. 4*



*Fig. 5*

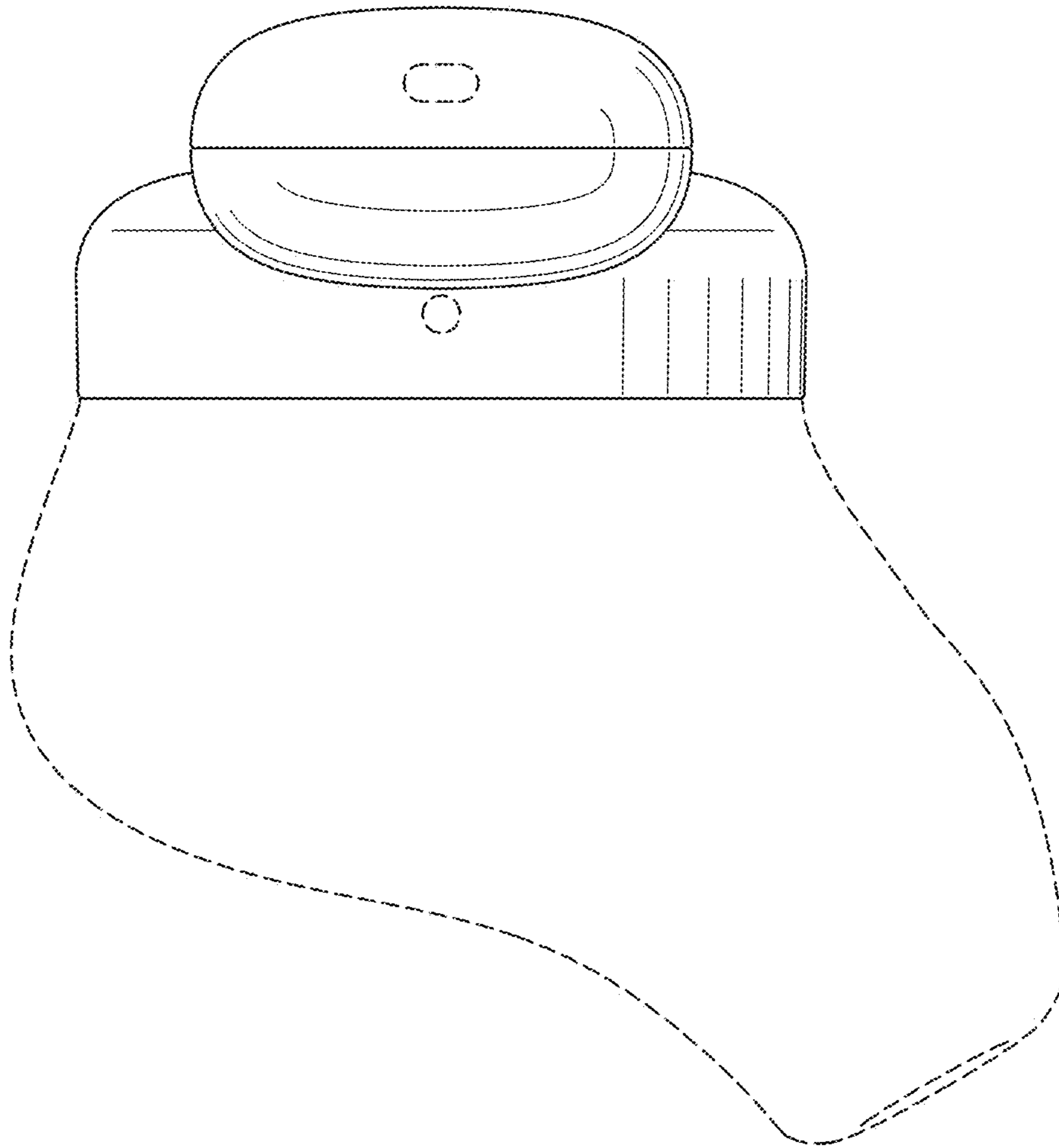


*Fig. 6*

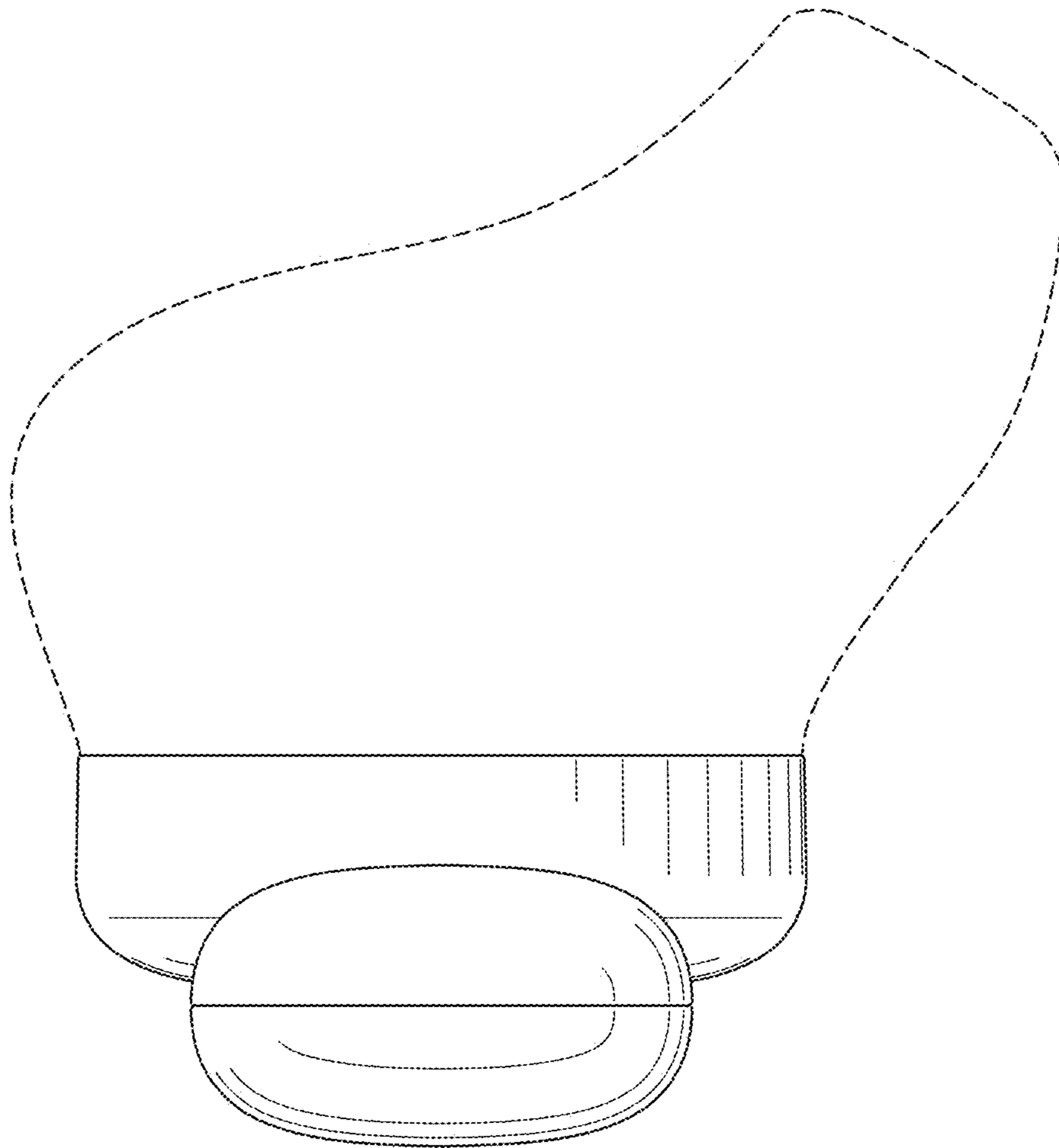


*Fig. 7*





*Fig. 8*



*Fig. 9*