



US00D943555S

(12) **United States Design Patent**
Deng

(10) **Patent No.:** **US D943,555 S**

(45) **Date of Patent:** **** Feb. 15, 2022**

(54) **WIRELESS EARPHONE SET**

(71) Applicant: **SHENZHEN VIMAI TECHNOLOGY CO., LIMITED**, Shenzhen (CN)

(72) Inventor: **Haijiao Deng**, Shenzhen (CN)

(73) Assignee: **SHENZHEN VIMAI TECHNOLOGY CO., LIMITED**, Shenzhen (CN)

(**) Term: **15 Years**

(21) Appl. No.: **29/739,484**

(22) Filed: **Jun. 25, 2020**

(51) **LOC (13) Cl.** **14-01**

(52) **U.S. Cl.**
USPC **D14/223**

(58) **Field of Classification Search**
USPC ... D14/205, 207, 217, 221, 223, 224, 224.1,
D14/225; D24/173, 174

(Continued)

(56) **References Cited**

U.S. PATENT DOCUMENTS

D887,396 S * 6/2020 Wang D14/223

D896,206 S * 9/2020 Xu D14/223

(Continued)

FOREIGN PATENT DOCUMENTS

CN 306026364 * 9/2020

CN 306026515 * 9/2020

(Continued)

OTHER PUBLICATIONS

New ANC TWS Earphones Wireless, announced Aug. 24, 2021 [online], retrieved Aug. 24, 2021, retrieved from internet, https://

www.globalsources.com/Noise-canceling-headphone/Headphone-with-ANC-1178153710p.htm#1178153710.*

(Continued)

Primary Examiner — Dana K Weiland

Assistant Examiner — Messina L Smith

(74) *Attorney, Agent, or Firm* — Steven M. Koehler; Westman, Champlin & Koehler, P.A.

(57) **CLAIM**

The ornamental design for a wireless earphone set, as shown and described.

DESCRIPTION

FIG. 1 is a perspective view of a pair of earphones of a wireless earphone set, shown separately to show aspects of the design that are not visible when combined;

FIG. 2 is a second perspective view thereof;

FIG. 3 is a front view thereof;

FIG. 4 is a rear view thereof;

FIG. 5 is a left side view thereof;

FIG. 6 is a right side view thereof;

FIG. 7 is a top view thereof;

FIG. 8 is a bottom view thereof;

FIG. 9 is a perspective view of the case of the wireless earphone set, shown separately to show aspects of the design that are not visible when combined;

FIG. 10 is a second perspective view thereof;

FIG. 11 is a front view thereof;

FIG. 12 is a rear view thereof;

FIG. 13 is a left side view thereof;

FIG. 14 is a right side view thereof;

FIG. 15 is a top view thereof;

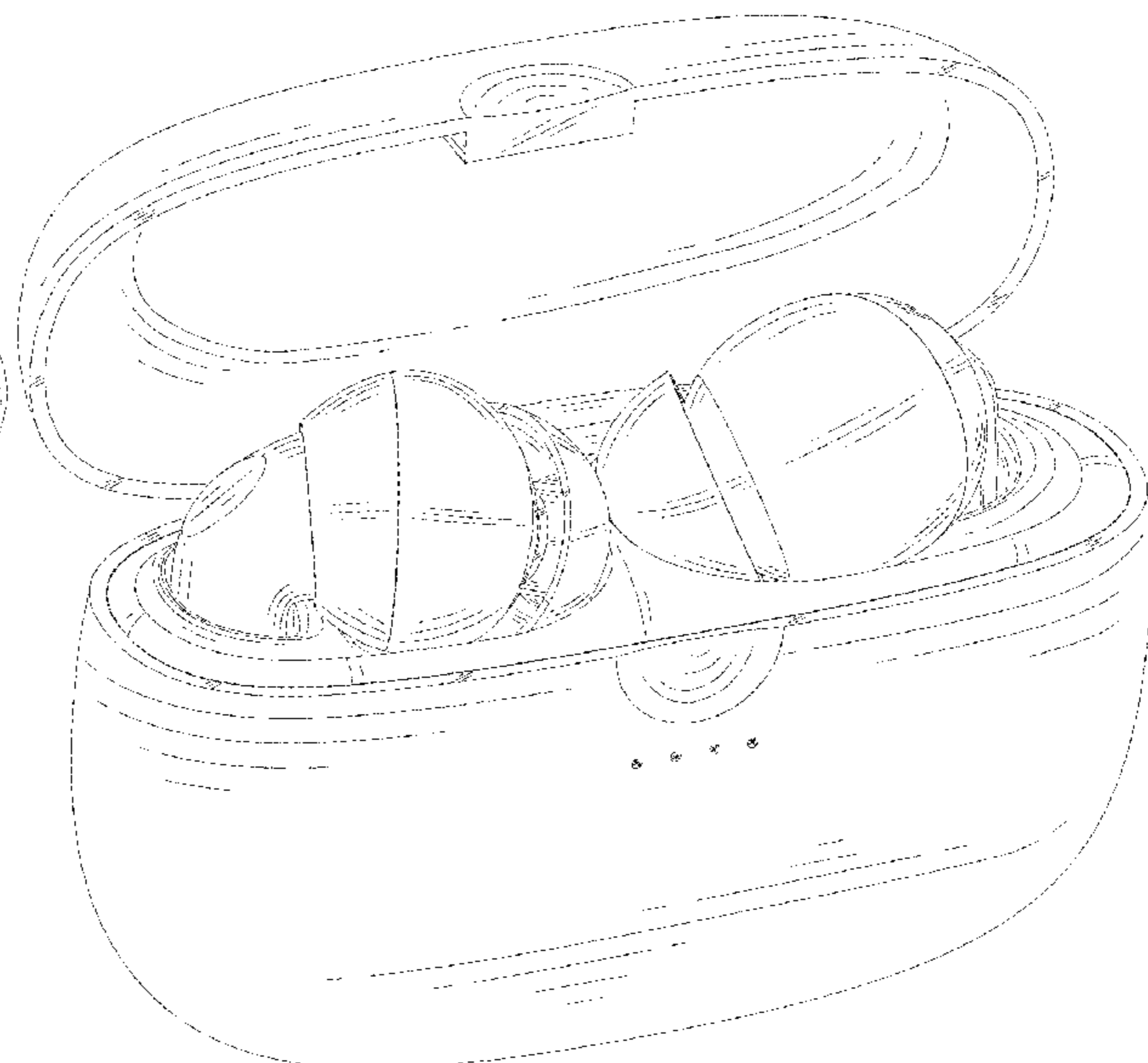
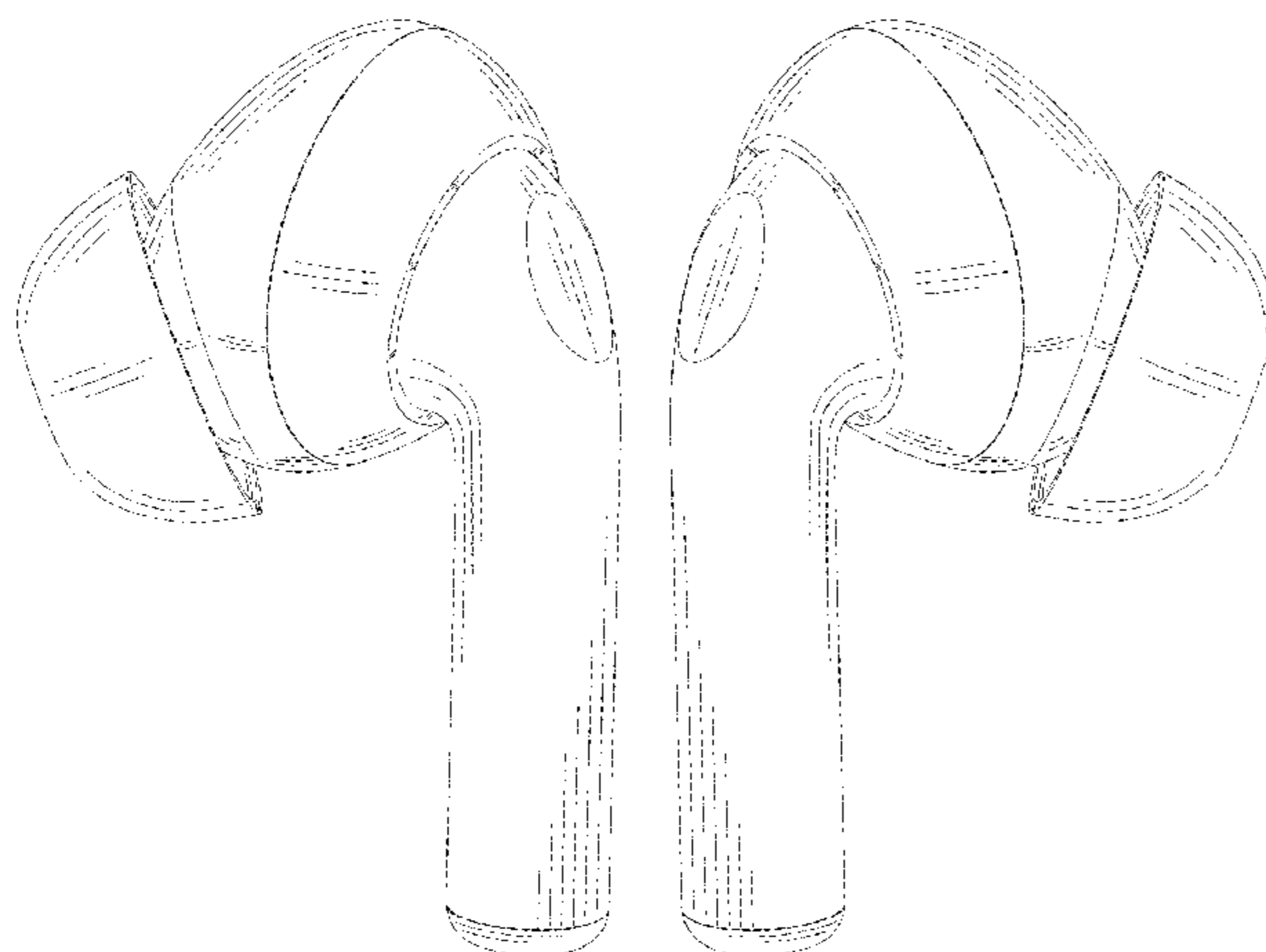
FIG. 16 is a bottom view thereof;

FIG. 17 is a perspective view of the case of the wireless earphone set shown in an open configuration; and,

FIG. 18 is a perspective view of the wireless earphone set, shown with the pair of earphones in the case.

The broken lines in the figures depict portions of the wireless earphone set that form no part of the claimed design.

1 Claim, 18 Drawing Sheets



(58) **Field of Classification Search**

CPC H04R 1/10; H04R 1/1016; H04R 1/1066;
 H04R 1/105; H04R 1/1033; H04R 1/08;
 H04R 5/033; H04R 5/0335; H04R 25/00

See application file for complete search history.

D927,417 S * 8/2021 Sretovic D13/108
 D927,465 S * 8/2021 Wang D14/223
 D928,126 S * 8/2021 Chen D14/223

FOREIGN PATENT DOCUMENTS

CN 306039905 * 9/2020
 CN 306039964 * 9/2020
 EM 008098784-0001 * 8/2020
 EM 008172506-0001 * 9/2020

(56) **References Cited**

U.S. PATENT DOCUMENTS

D904,025 S * 12/2020 Ma D3/295
 D906,297 S * 12/2020 Akana D14/223
 D907,010 S * 1/2021 Akana D14/223
 D907,049 S * 1/2021 Yu D14/440
 D907,607 S * 1/2021 Deng D14/223
 D909,347 S * 2/2021 Akana D14/223
 D910,600 S * 2/2021 Zhang D14/223
 D911,027 S * 2/2021 Liang D3/274
 D914,648 S * 3/2021 Zhou D14/223
 D916,683 S * 4/2021 Yao D14/223
 D918,138 S * 5/2021 Ma D13/108
 D918,182 S * 5/2021 Chen D14/223
 D921,615 S * 6/2021 Wu D14/223
 D922,946 S * 6/2021 Chen D13/108
 D924,209 S * 7/2021 Wu D14/223
 D924,852 S * 7/2021 Liu D14/223
 D925,498 S * 7/2021 Lin D14/223
 D925,499 S * 7/2021 Xie D14/223

OTHER PUBLICATIONS

AIR 1 Plus In-Ear, announced Dec. 20, 2020 [online], retrieved Aug. 24, 2021, retrieved from internet, <https://happyplugs.com/products/air-1-plus-in-ear-gold>.*

Moki Mokipods True Wireless, announced Sep. 2020 [online], retrieved Aug. 24, 2021, retrieved from internet, <https://www.target.com.au/p/moki-mokipods-true-wireless-earbuds-twsmpl/64148496>.*

Nokia E3500 Essential True Wireless Earphones, announced © 2011-2021 [online], retrieved Aug. 24, 2021, retrieved from internet, https://www.smartprix.com/mobile_headphones/nokia-e3500-essential-true-wireless-earphones-ppd1dn939m5a.*

Boat Airdopes 433—Truly Wireless Earbuds, announced © 2021 [online], retrieved Aug. 24, 2021, retrieved from internet, <https://www.boat-lifestyle.com/products/boat-airdopes-433-truly-wireless-earbuds>.*

* cited by examiner

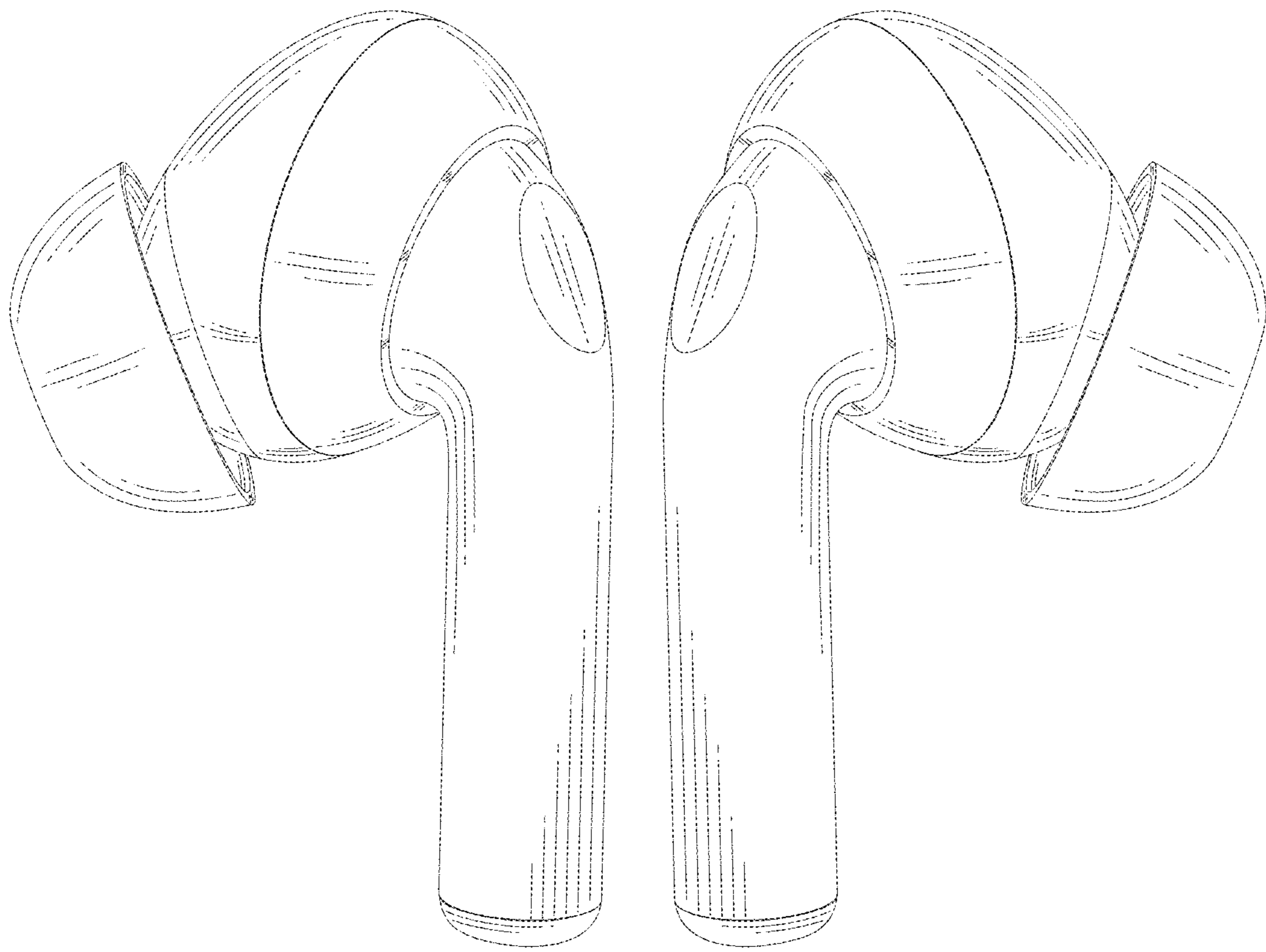


FIG. 1

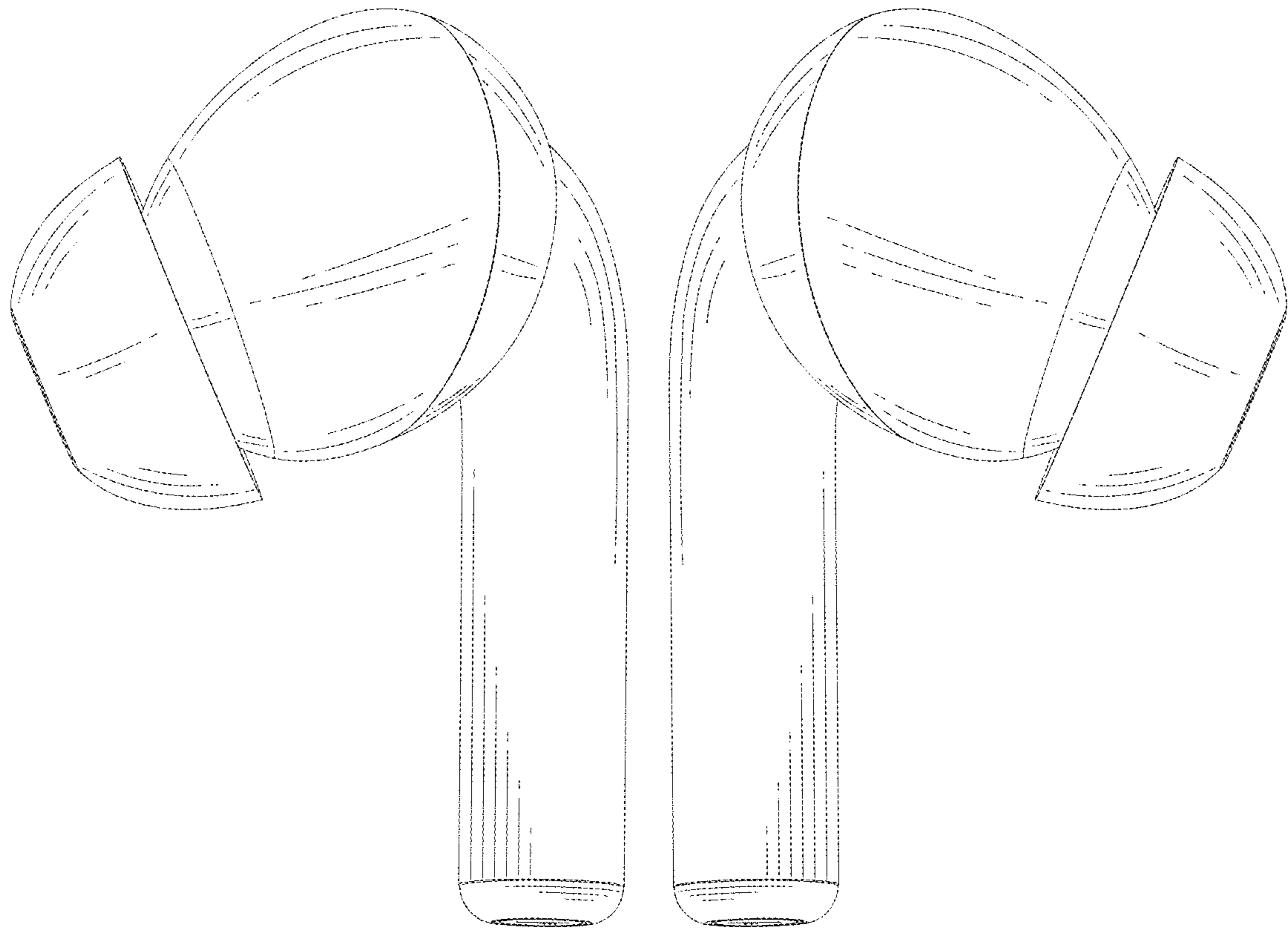


FIG. 2

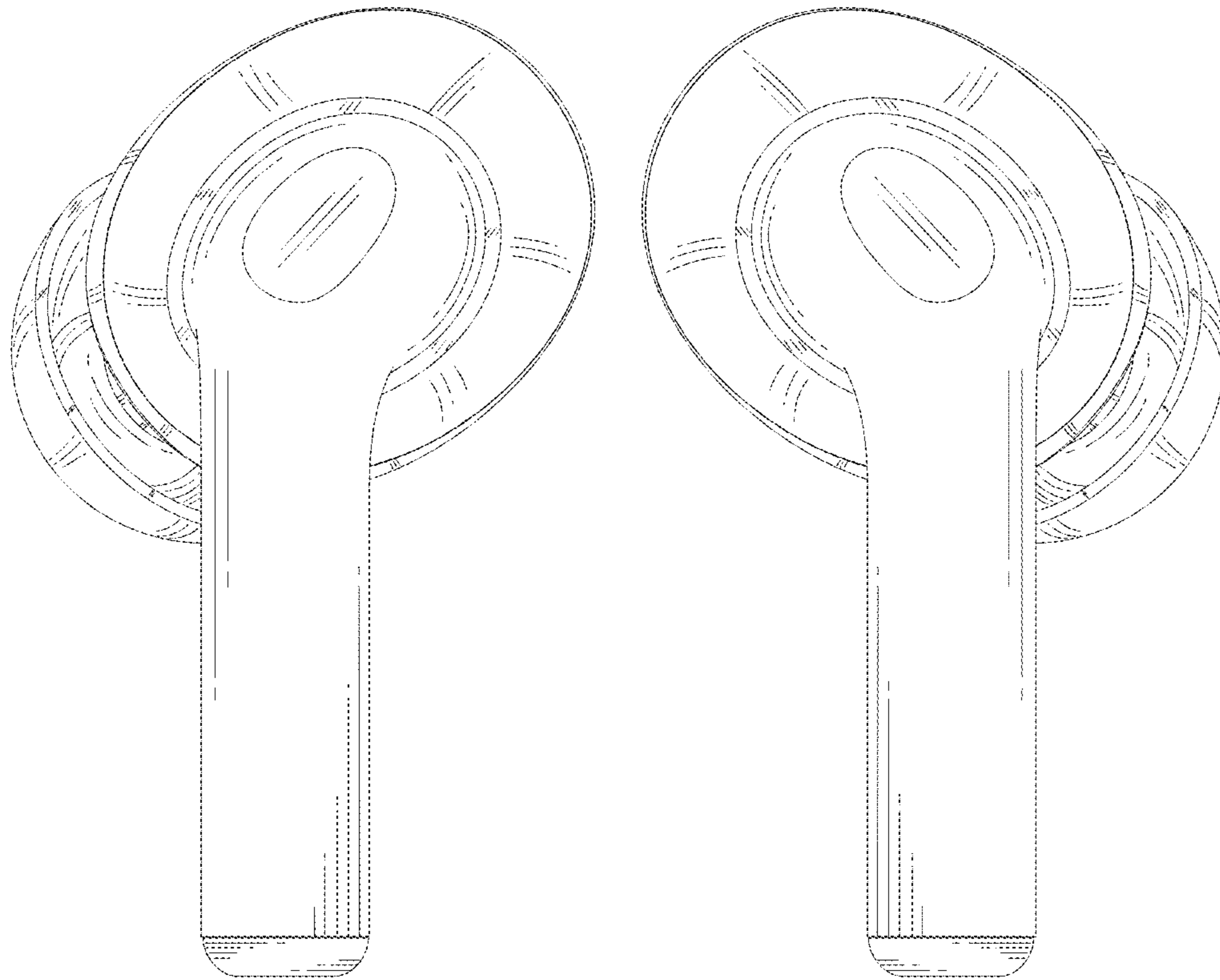


FIG. 3

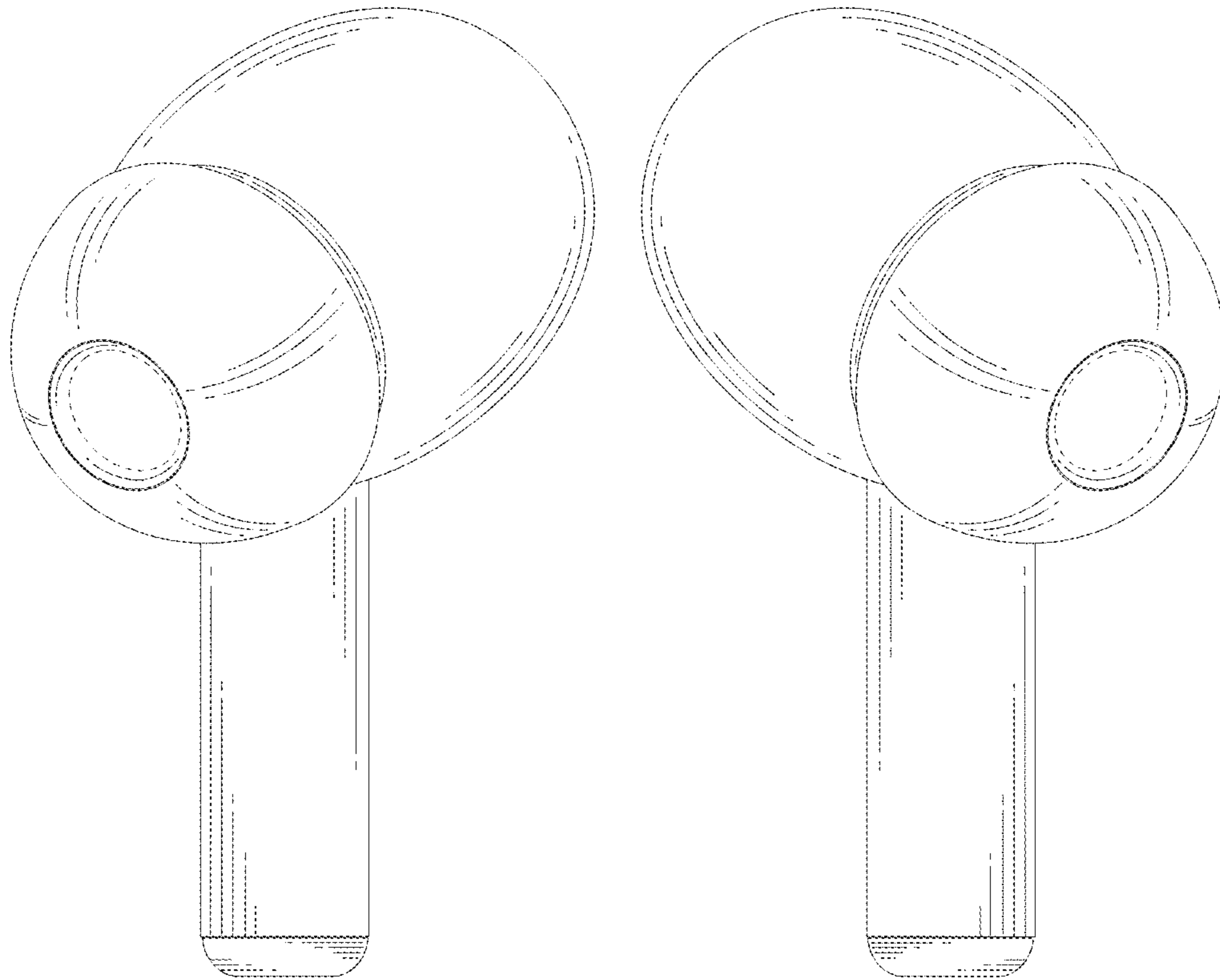


FIG. 4

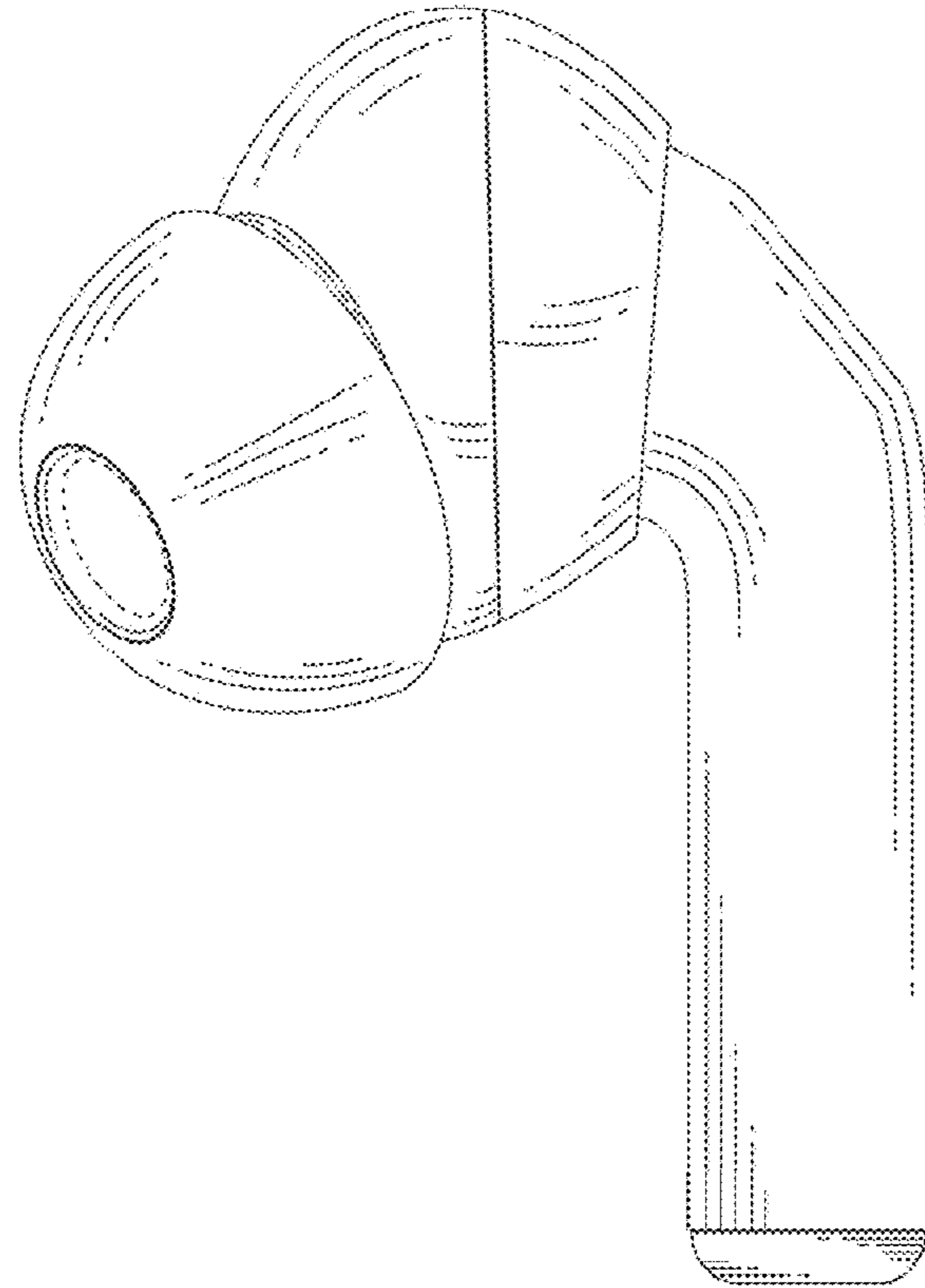


FIG. 5

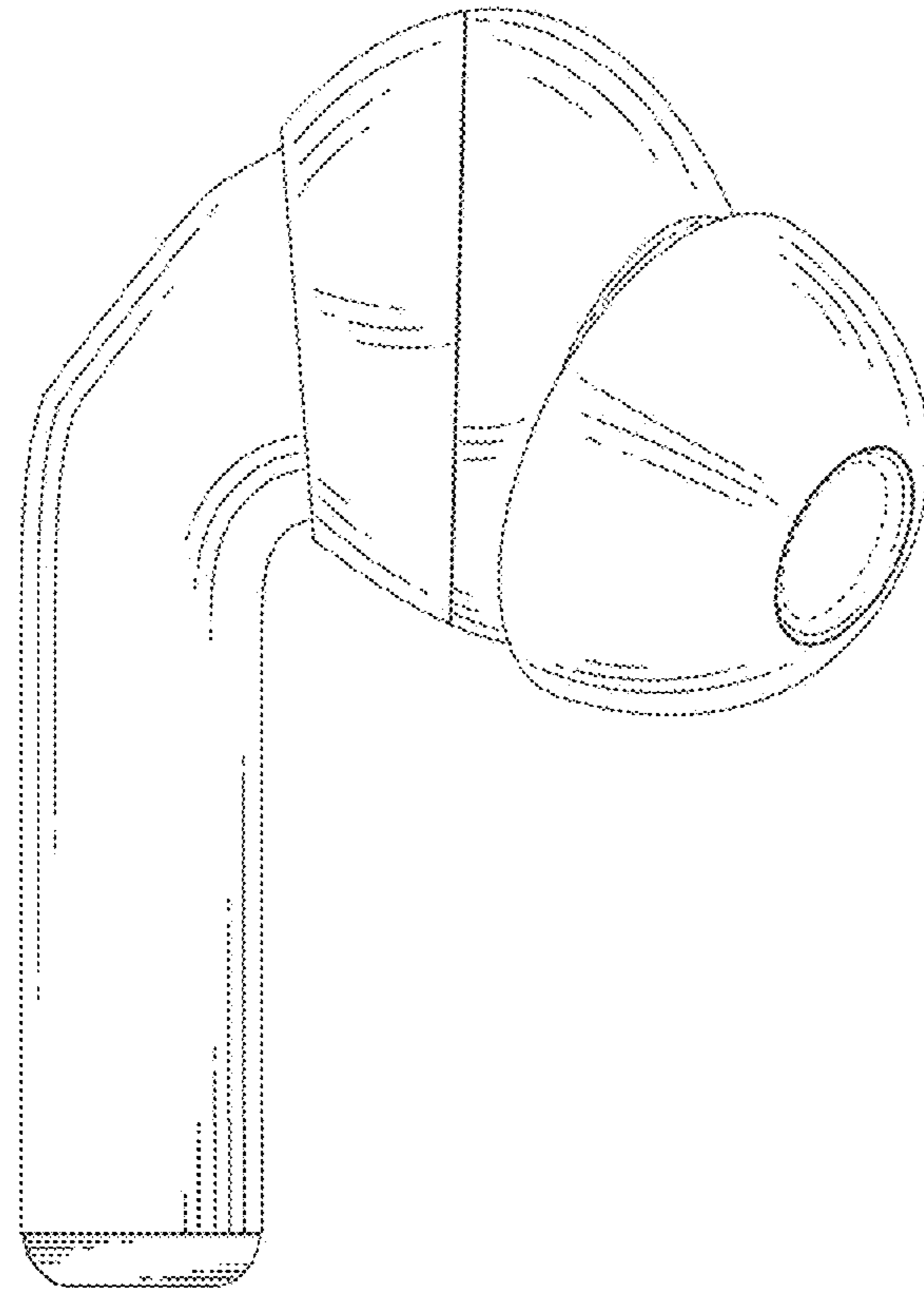


FIG. 6

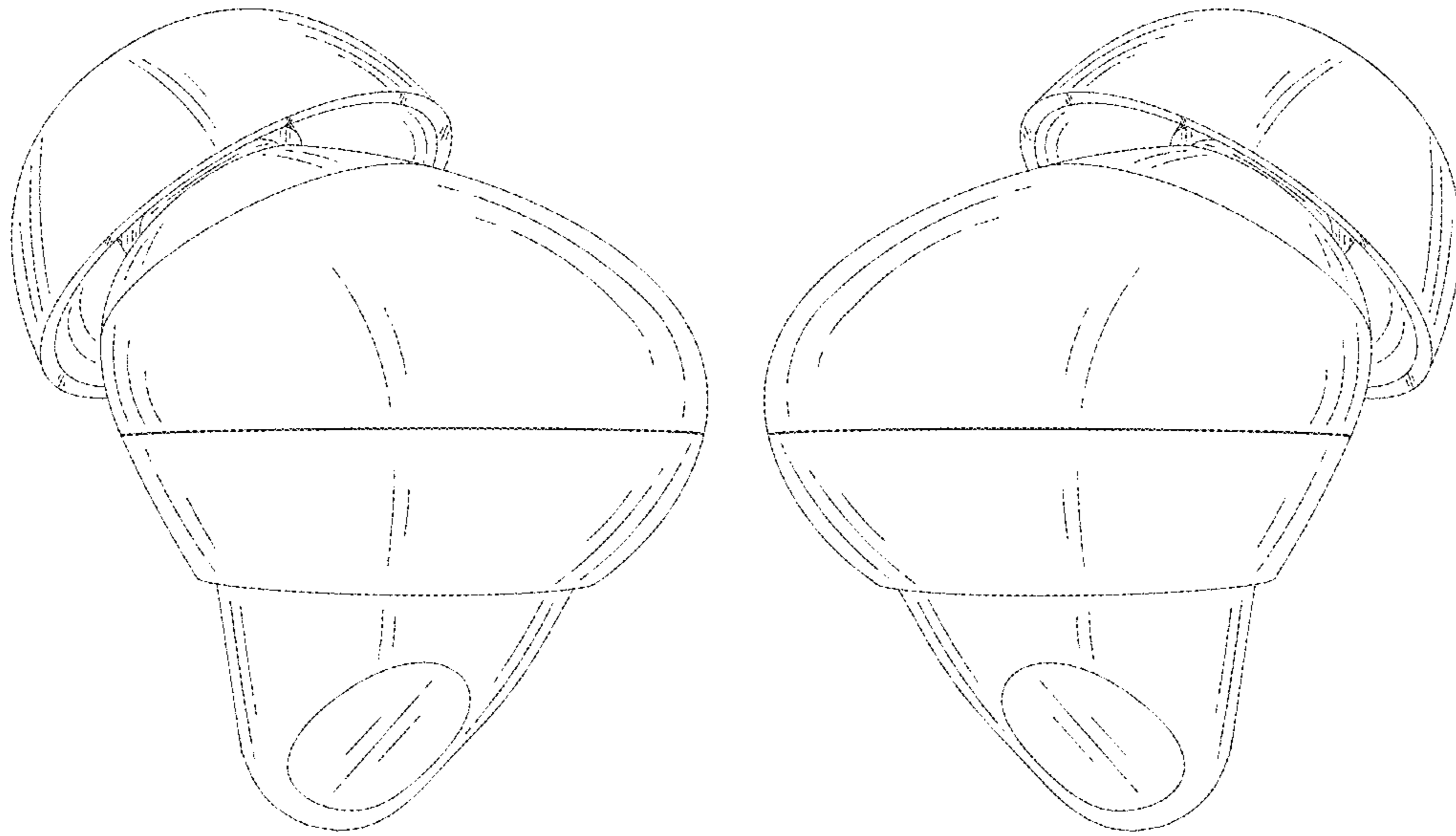


FIG. 7

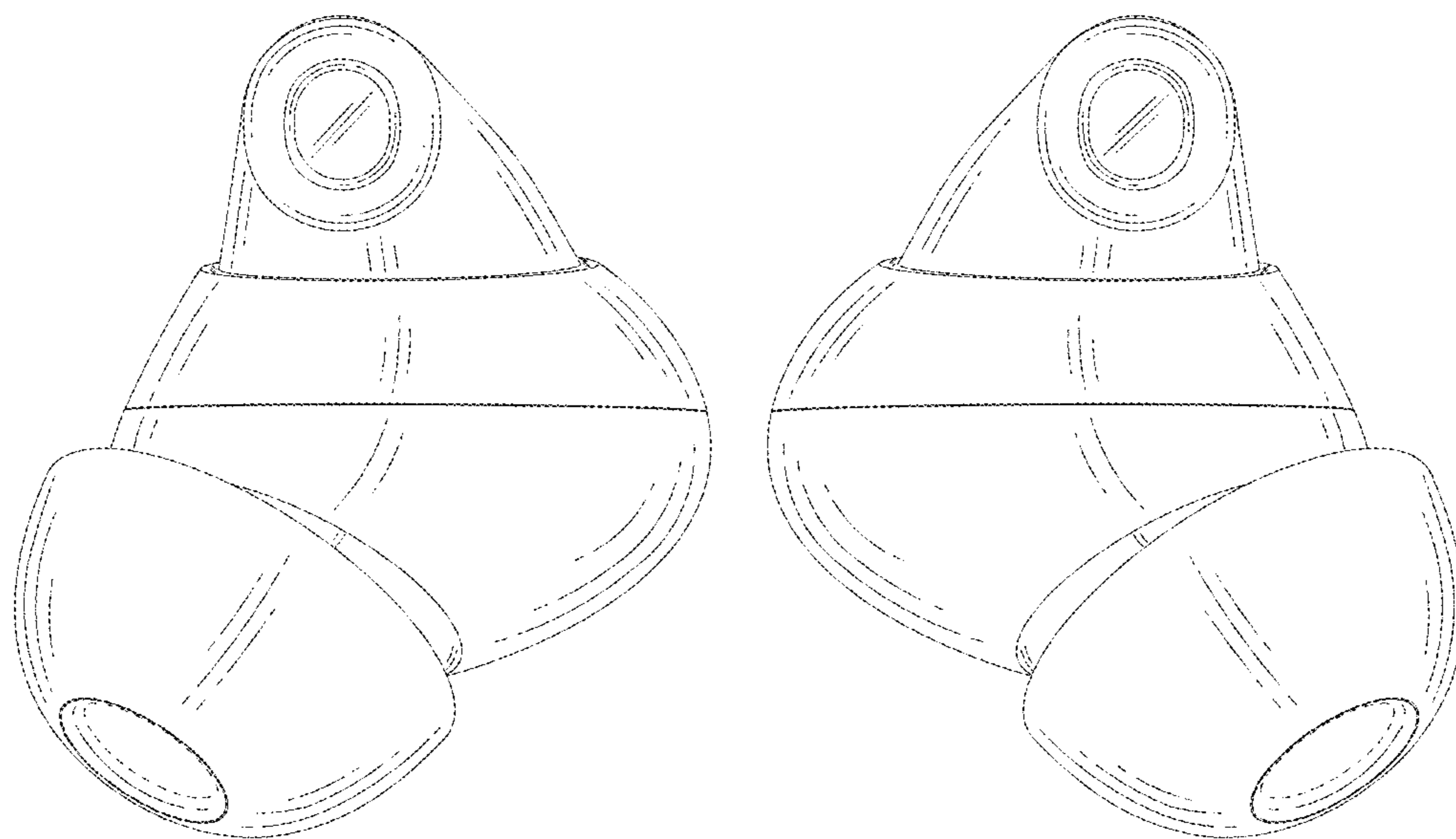


FIG. 8

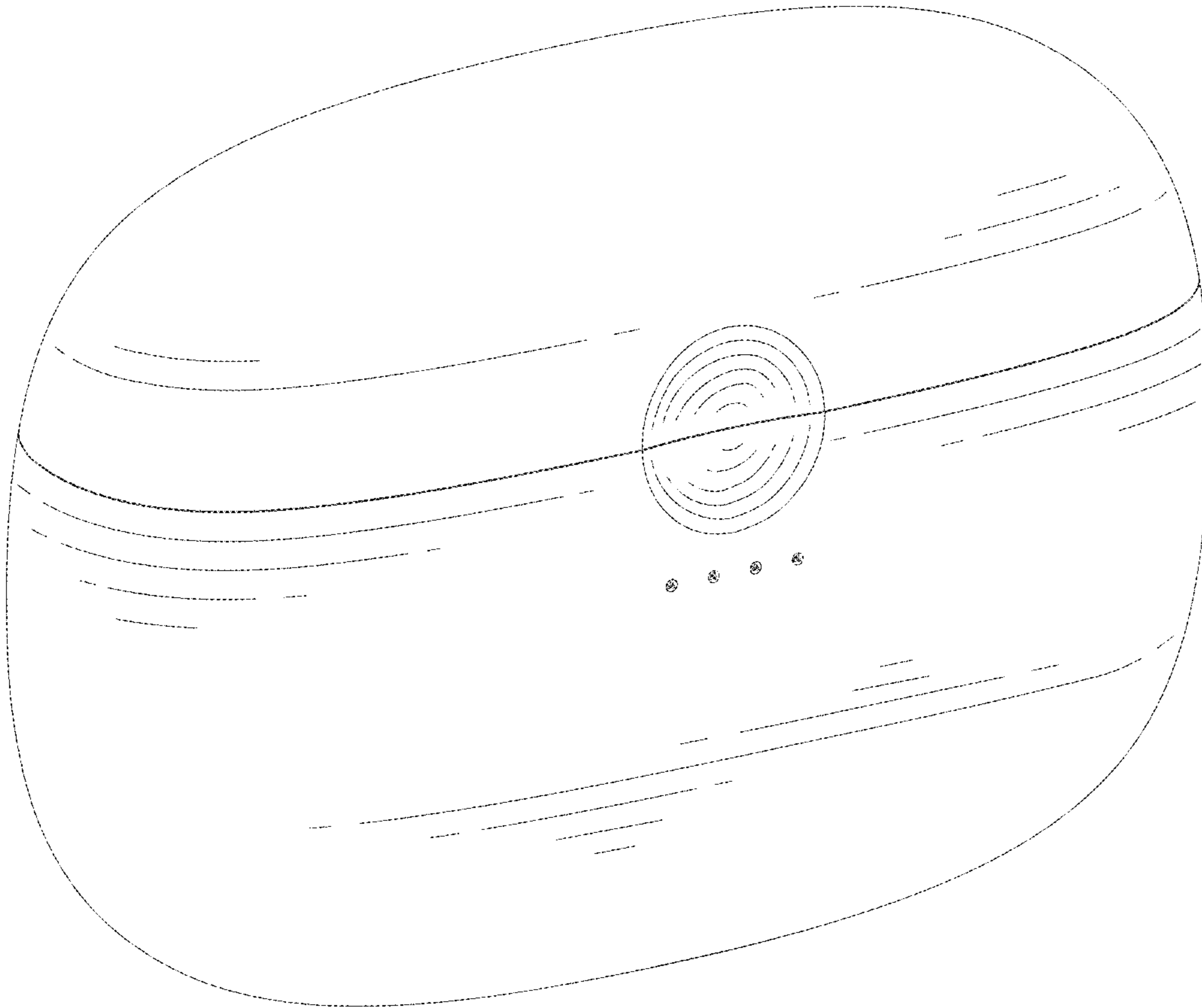


FIG. 9

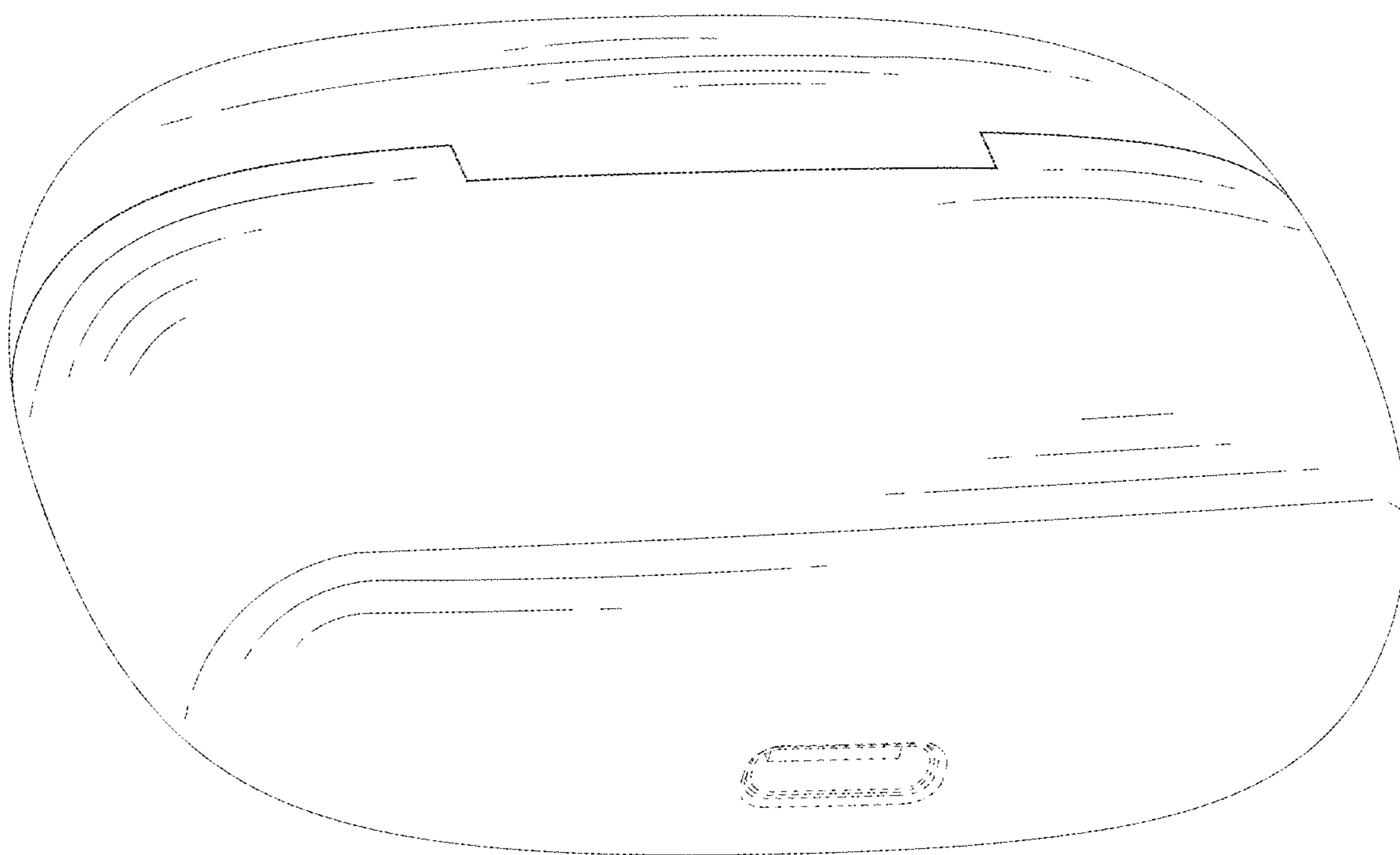


FIG. 10

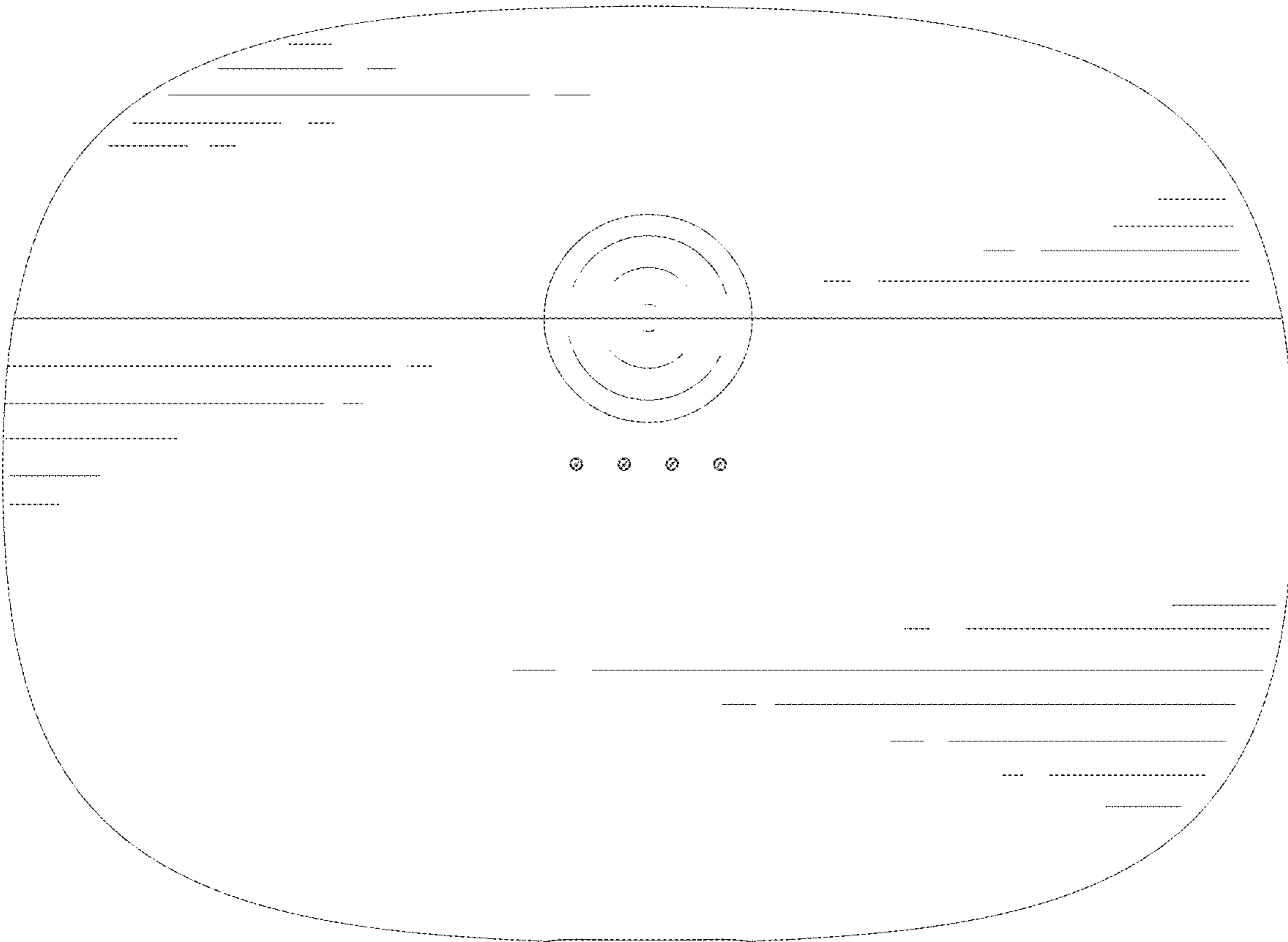


FIG. 11

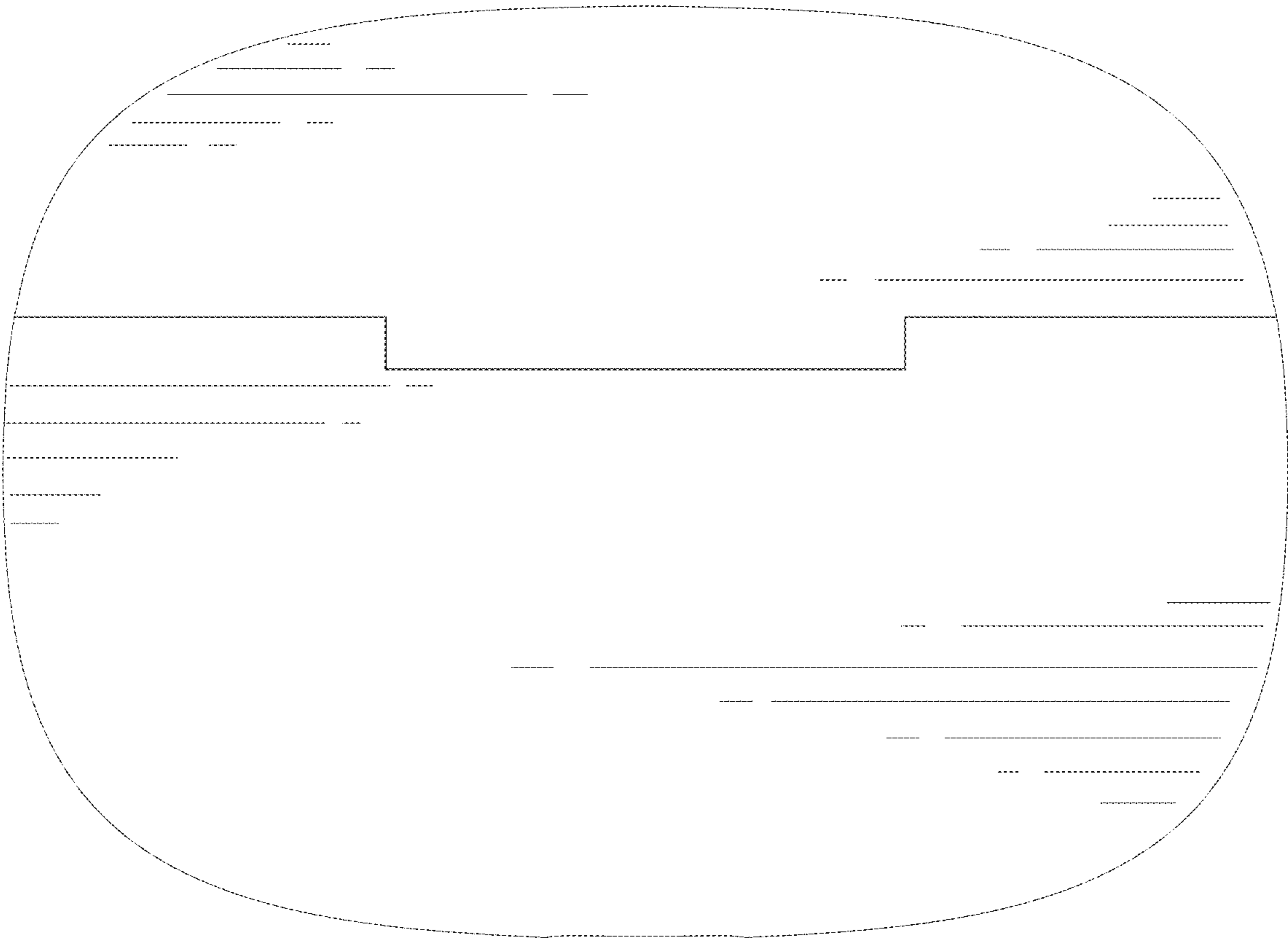


FIG. 12

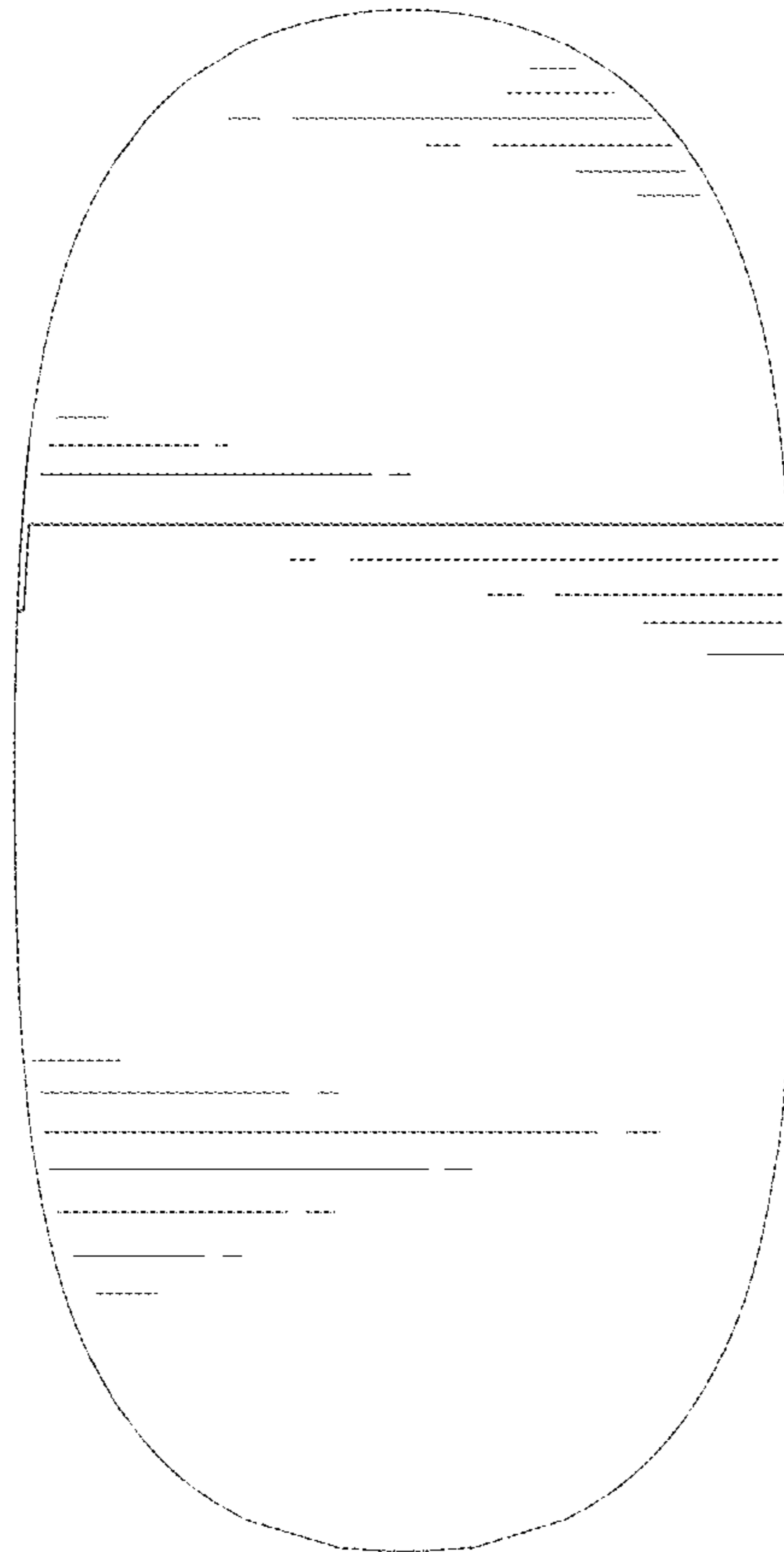


FIG. 13

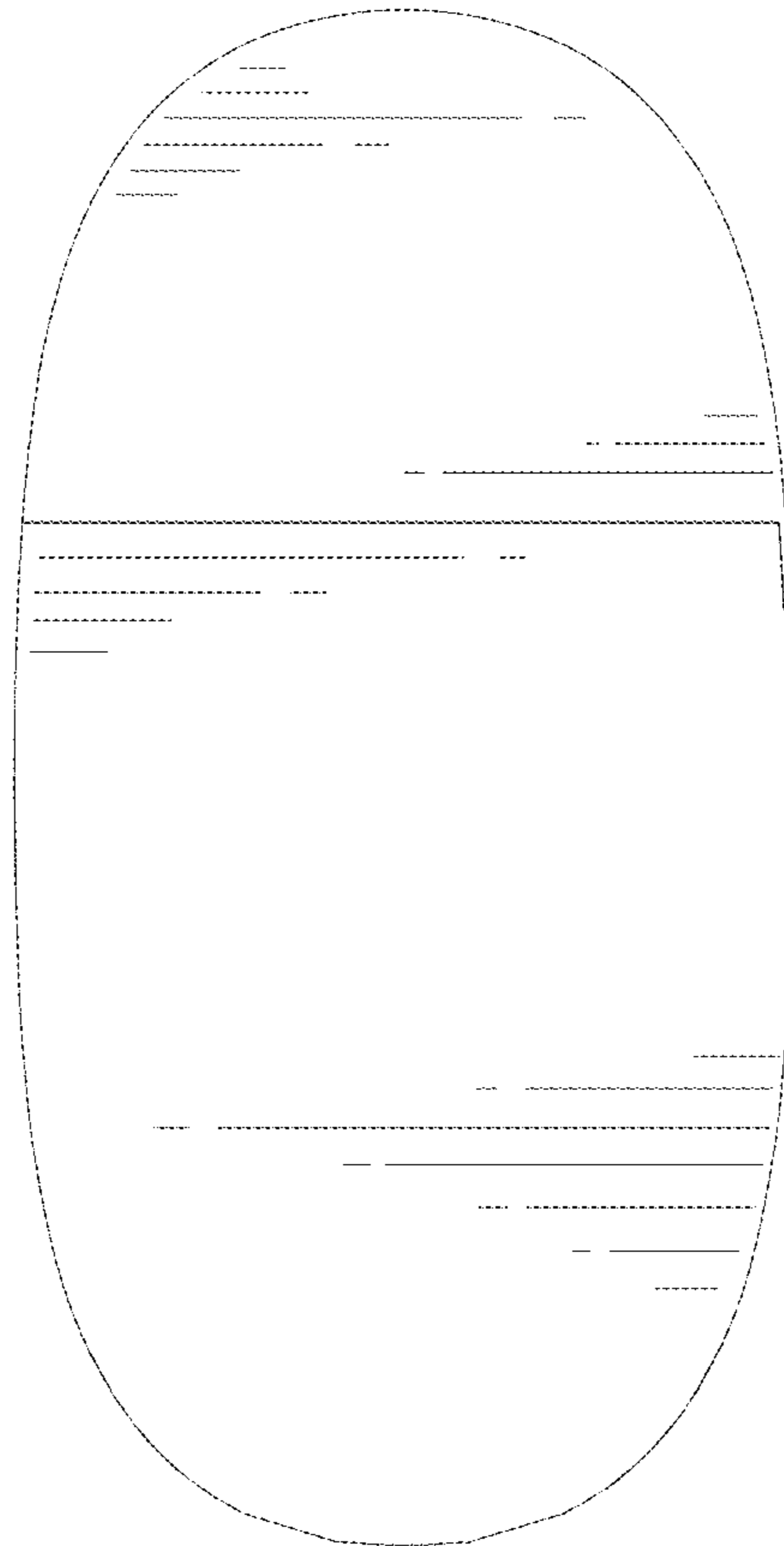


FIG. 14

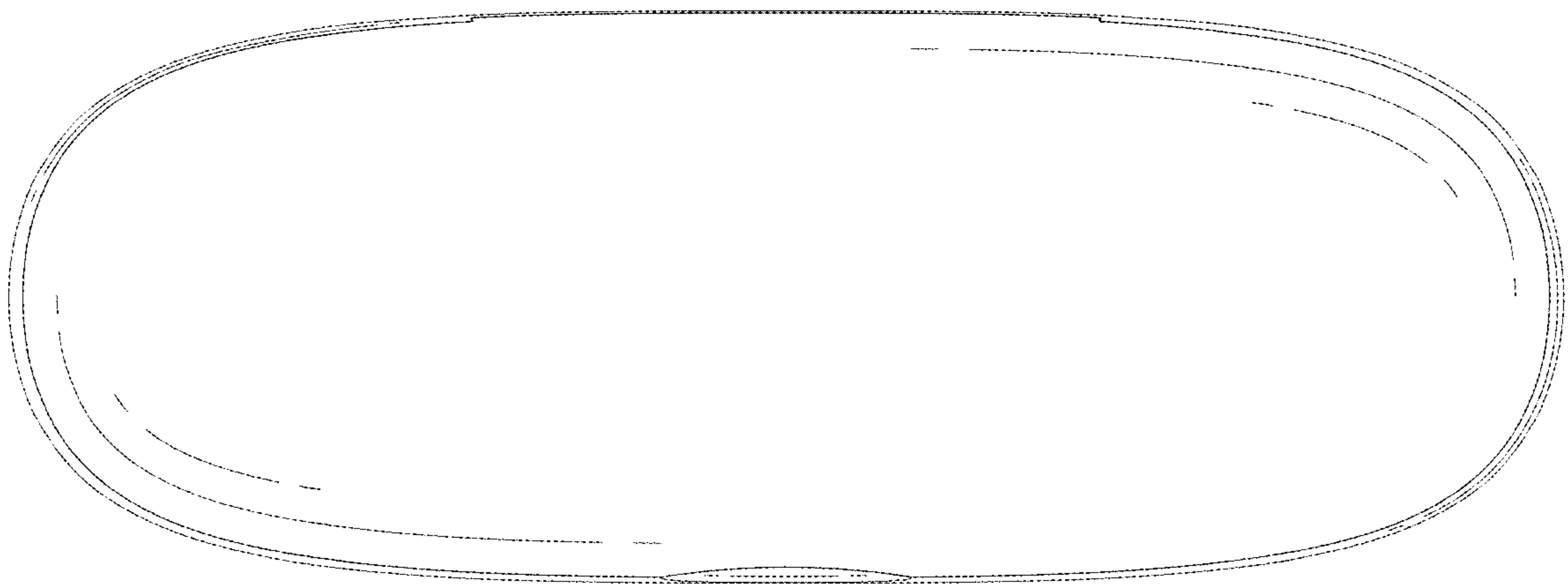


FIG. 15

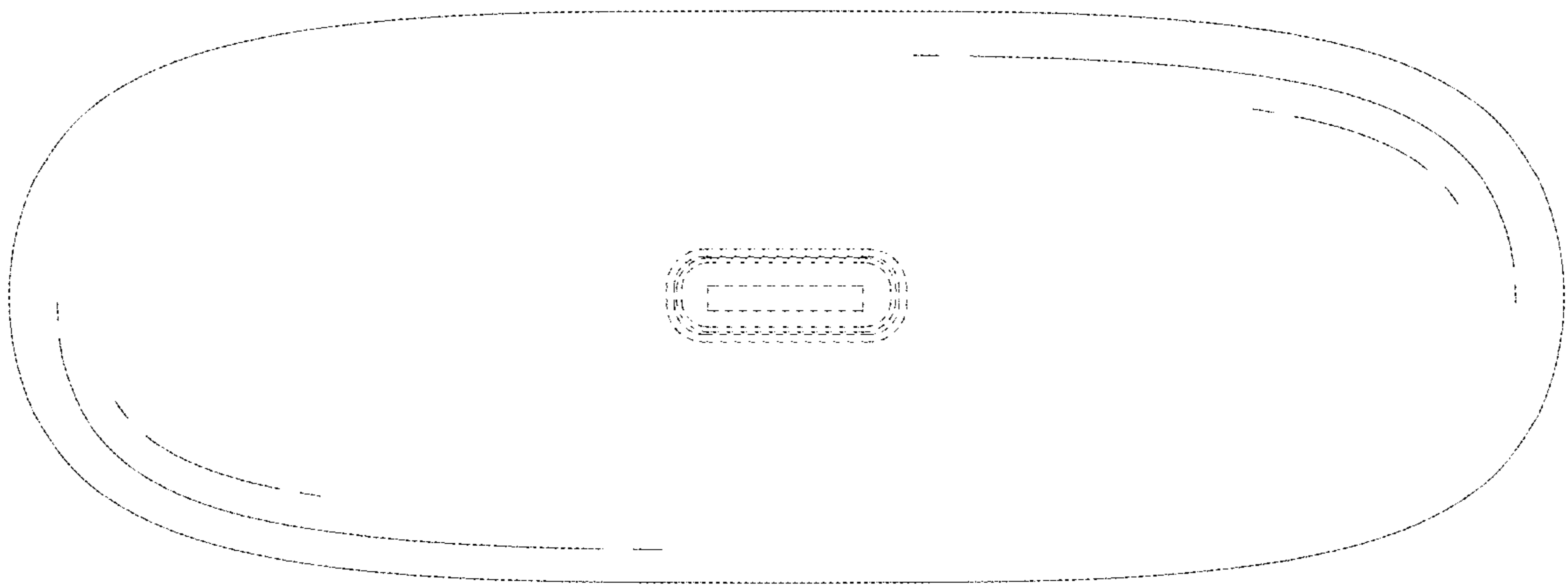


FIG. 16

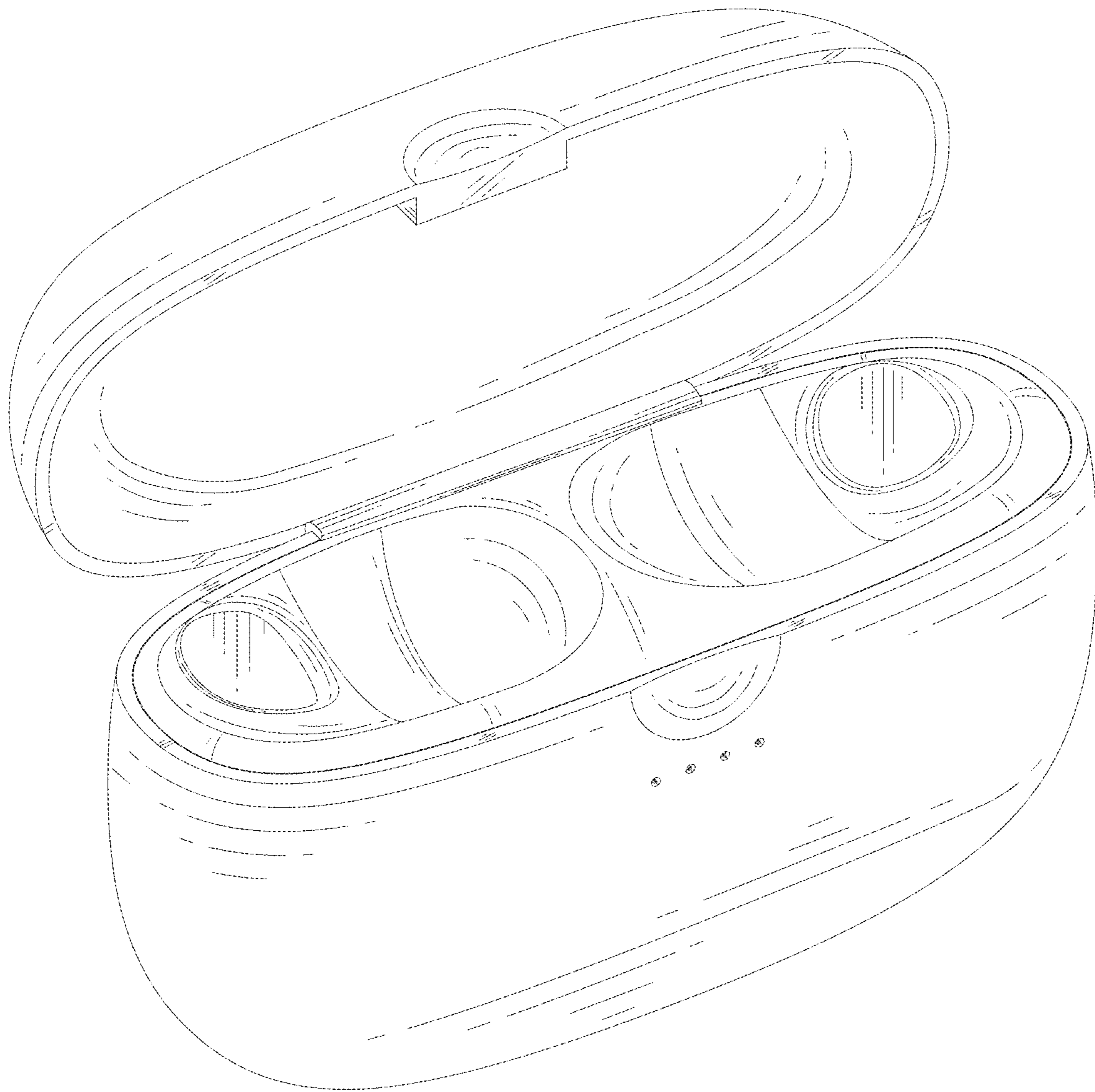


FIG. 17

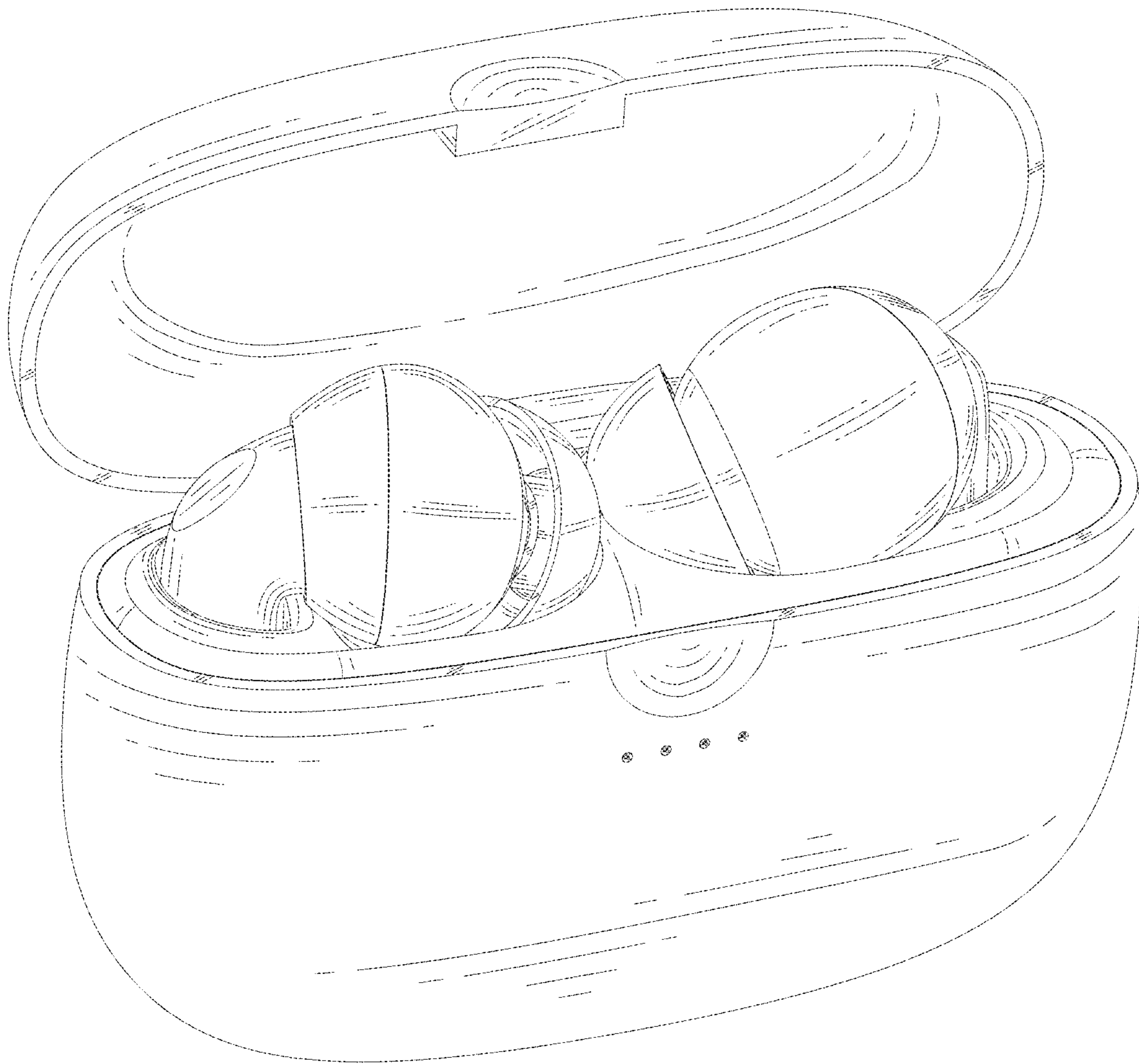


FIG. 18