



US00D943552S

(12) **United States Design Patent** (10) **Patent No.:** **US D943,552 S**
Miller et al. (45) **Date of Patent:** **** Feb. 15, 2022**

(54) **AUDIO DEVICE**

- (71) Applicant: **Shure Acquisition Holdings, Inc.**, Niles, IL (US)
- (72) Inventors: **John Matthew Miller**, Grayslake, IL (US); **Gregory William Lantz**, Aurora, IL (US); **Benjamin Neal Huyck**, Chicago, IL (US)
- (73) Assignee: **Shure Acquisition Holdings, Inc.**, Niles, IL (US)

(**) Term: **15 Years**

(21) Appl. No.: **29/733,656**

(22) Filed: **May 5, 2020**

(51) **LOC (13) Cl.** **14-01**

(52) **U.S. Cl.**
USPC **D14/222**

(58) **Field of Classification Search**
USPC D14/159, 218, 217, 219, 220, 221, 222, D14/223, 224, 224.1, 225, 227, 228, 229, D14/299, 204, 209, 185
CPC . H04R 1/00; H04R 1/02; H04R 1/323; H04R 1/326; H04R 1/403; H04R 1/406; H04R 1/222; H04R 1/023; H04R 7/00; H04R 7/20; H04R 27/00; H04R 2201/00; H04R 2400/00; H04R 17/02; H04R 29/004;
(Continued)

(56) **References Cited**

U.S. PATENT DOCUMENTS

- 1,535,408 A 4/1925 Fricke
- 1,540,788 A 6/1925 McClure
- 1,965,830 A 7/1934 Hammer

(Continued)

FOREIGN PATENT DOCUMENTS

- CA 2838856 A1 12/2012
- CA 2846323 A1 9/2014

(Continued)

OTHER PUBLICATIONS

MXA310, announced © 2009-2021 [online], retrieved Nov. 30, 2021, retrieved from internet, <https://www.shure.com/en-US/products/microphones/mxa310>.*

(Continued)

Primary Examiner — Dana K Weiland
Assistant Examiner — Messina L Smith

(74) *Attorney, Agent, or Firm* — Neal, Gerber & Eisenberg LLP

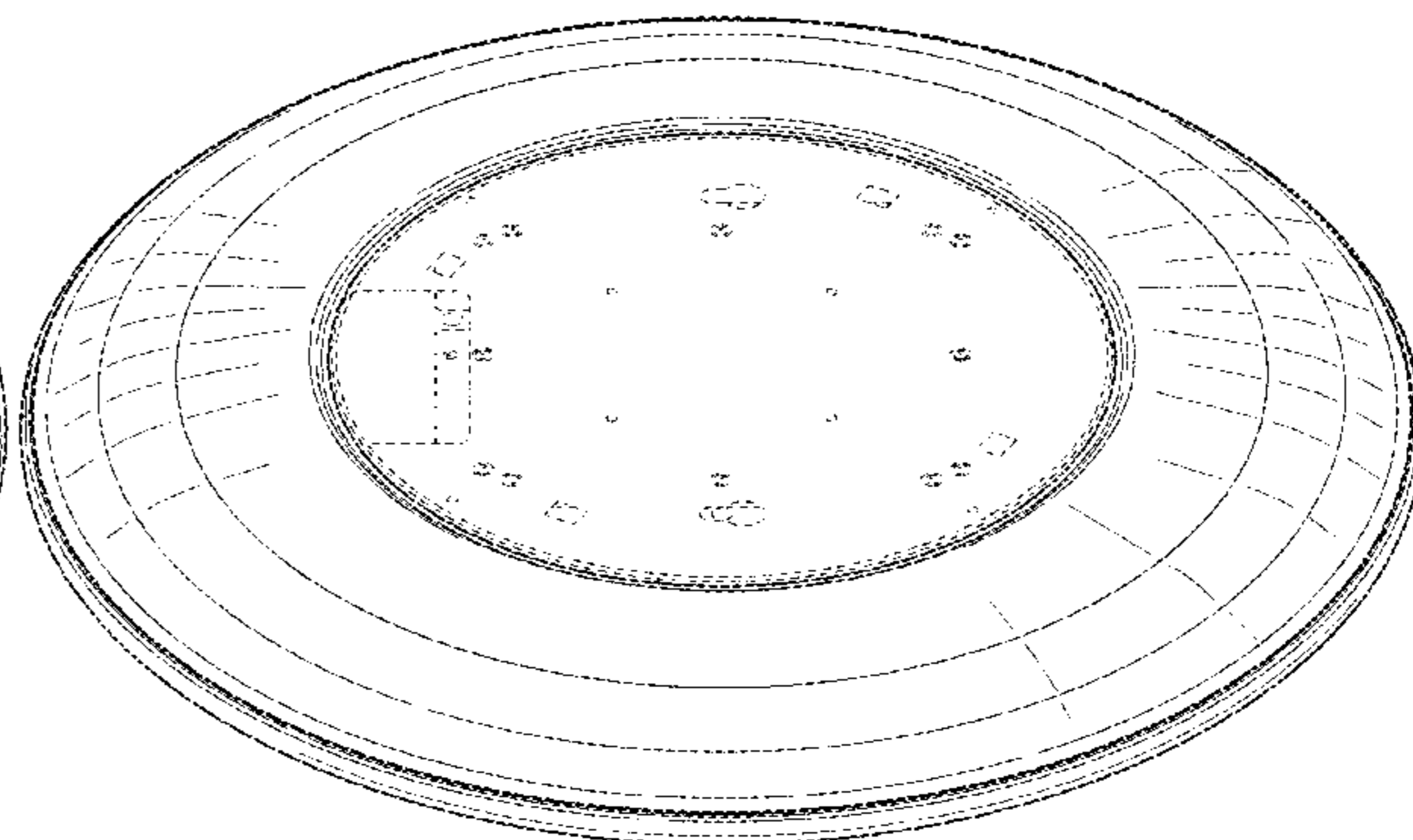
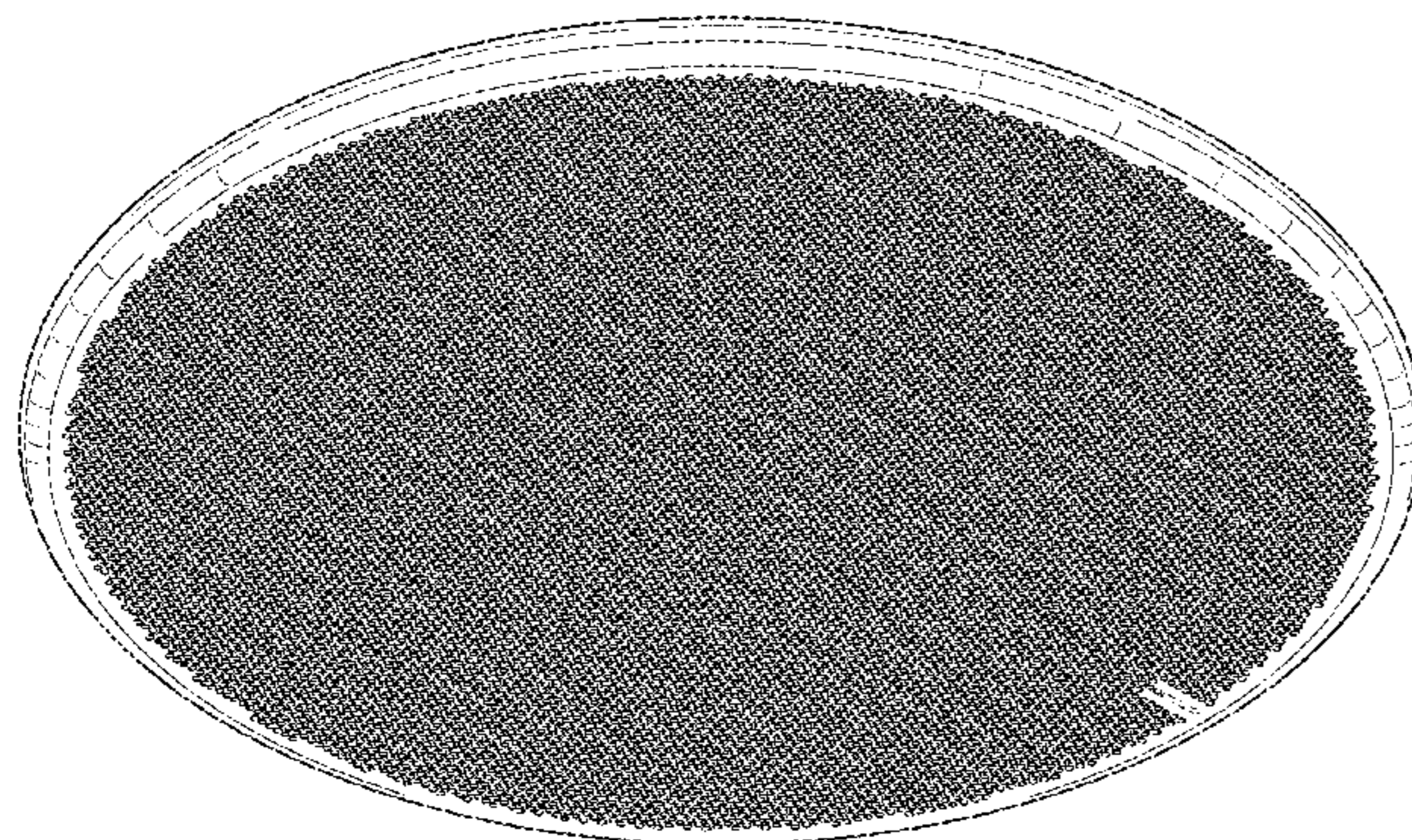
(57) **CLAIM**

The ornamental design for an audio device, as shown and described.

DESCRIPTION

FIG. 1 is a front perspective view of an audio device showing the new design in a first embodiment.
FIG. 2 is a rear perspective view thereof.
FIG. 3 is a side elevation view thereof, the other side elevation views and two end elevation views being identical thereto.
FIG. 4 is a rear plan view thereof.
FIG. 5 is a front plan view thereof.
FIG. 6 is a front perspective view of the audio device according to a second embodiment.
FIG. 7 is a rear perspective view thereof.
FIG. 8 is a side elevation view thereof, the other side elevation views and two end elevation views being identical thereto.
FIG. 9 is a rear plan view thereof; and,
FIG. 10 is a front plan view thereof.
The dot-dash broken lines represent the bounds of the claim and form no part of the claimed design. All other broken lines depict portions of the audio device that form no part of the claimed design.

1 Claim, 10 Drawing Sheets



US D943,552 S

(58) **Field of Classification Search**
 CPC . H04R 29/005; H04R 19/00; H04R 2420/07;
 H04R 2410/00
 See application file for complete search history.

(56) **References Cited**

U.S. PATENT DOCUMENTS

2,164,655 A 7/1939 Kleerup
 D122,771 S 10/1940 Doner
 2,233,412 A 3/1941 Hill
 2,343,037 A 2/1944 Adelman
 2,377,449 A 6/1945 Prevette
 2,481,250 A 9/1949 Schneider
 2,521,603 A 9/1950 Prew
 2,533,565 A 12/1950 Eichelman
 2,840,181 A 6/1958 Wildman
 2,912,605 A 11/1959 Tibbetts
 2,938,113 A 5/1960 Schnell
 3,019,854 A 2/1962 OBryant
 3,143,182 A 8/1964 Sears
 3,160,225 A 12/1964 Sechrist
 3,161,975 A 12/1964 McMillan
 3,205,601 A 9/1965 Gawne
 3,509,290 A 4/1970 Mochida
 3,696,885 A 10/1972 Grieg
 3,857,191 A 12/1974 Sadorus
 D237,103 S 10/1975 Fisher
 3,938,617 A 2/1976 Forbes
 3,941,638 A 3/1976 Horky
 4,008,408 A 2/1977 Kodama
 4,029,170 A 6/1977 Phillips
 4,032,725 A 6/1977 McGee
 4,127,156 A 11/1978 Brandt
 D255,234 S 6/1980 Wellward
 D256,015 S 7/1980 Doherty
 4,212,133 A 7/1980 Lufkin
 4,244,096 A 1/1981 Kashichi
 4,429,850 A 2/1984 Weber
 4,518,826 A 5/1985 Caudill
 4,566,557 A 1/1986 Lemaitre
 4,866,868 A 9/1989 Kass
 4,969,197 A 11/1990 Takaya
 5,038,935 A 8/1991 Wenkman
 D328,900 S * 8/1992 Harle D14/216
 D329,239 S 9/1992 Hahn
 D340,718 S 10/1993 Leger
 D345,346 S 3/1994 Alfonso
 D345,379 S 3/1994 Chan
 5,322,979 A 6/1994 Cassity
 5,359,374 A 10/1994 Schwartz
 5,383,293 A 1/1995 Royal
 5,400,413 A 3/1995 Kindel
 D363,045 S 10/1995 Phillips
 5,509,634 A 4/1996 Gebka
 5,645,257 A 7/1997 Ward
 5,717,171 A 2/1998 Miller
 D392,977 S 3/1998 Kim
 D394,061 S 5/1998 Fink
 5,870,482 A 2/1999 Loeppert
 5,888,412 A 3/1999 Sooriakumar
 5,888,439 A 3/1999 Miller
 6,035,962 A 3/2000 Lin
 6,039,457 A 3/2000 O'Neal
 D424,538 S 5/2000 Hayashi
 D432,518 S 10/2000 Muto
 6,144,746 A 11/2000 Azima
 6,198,831 B1 3/2001 Azima
 6,205,224 B1 3/2001 Underbrink
 6,266,427 B1 7/2001 Mathur
 6,285,770 B1 9/2001 Azima
 D453,016 S 1/2002 Nevill
 6,393,129 B1 5/2002 Conrad
 6,488,367 B1 12/2002 Debesis
 D474,173 S * 5/2003 Right D14/209
 D480,923 S 10/2003 Neubourg
 6,665,971 B2 12/2003 Lowry

D489,707 S 5/2004 Kobayashi
 D504,889 S 5/2005 Andre
 6,944,312 B2 9/2005 Mason
 6,993,145 B2 1/2006 Combest
 D526,643 S 8/2006 Ishizaki
 D527,372 S 8/2006 Allen
 D542,543 S 5/2007 Bruce
 D545,297 S * 6/2007 Lee D14/168
 D546,318 S 7/2007 Ki-Hyun
 D547,748 S 7/2007 Tsuge
 D549,673 S 8/2007 Niitsu
 D552,570 S 10/2007 Niitsu
 D559,553 S 1/2008 James
 D566,685 S 4/2008 Koller
 7,387,151 B1 6/2008 Payne
 D587,709 S 3/2009 Niitsu
 D589,605 S 3/2009 Reedy
 7,536,769 B2 5/2009 Pedersen
 D595,736 S 7/2009 Son
 7,565,949 B2 7/2009 Tojo
 D613,338 S 4/2010 Marukos
 7,701,110 B2 4/2010 Fukuda
 D614,871 S 5/2010 Tang
 D623,265 S * 9/2010 Reynoso D23/213
 D636,188 S 4/2011 Kim
 D636,760 S * 4/2011 Cheng D14/216
 D639,385 S * 6/2011 Flowers D23/213
 D642,385 S 8/2011 Lee
 8,064,629 B2 11/2011 Jiang
 D652,823 S * 1/2012 Chen H04R 1/1016
 D14/223
 D656,473 S 3/2012 Laube
 8,213,634 B1 7/2012 Daniel
 8,286,749 B2 10/2012 Stewart
 8,297,402 B2 10/2012 Stewart
 8,403,107 B2 3/2013 Stewart
 D685,346 S 7/2013 Szymanski
 8,479,871 B2 7/2013 Stewart
 8,631,897 B2 1/2014 Stewart
 8,670,581 B2 3/2014 Harman
 8,672,087 B2 3/2014 Stewart
 D717,272 S 11/2014 Kim
 D718,731 S 12/2014 Lee
 D725,059 S 3/2015 Kim
 D725,631 S 3/2015 McNamara
 D726,144 S 4/2015 Kang
 D729,767 S 5/2015 Lee
 D737,245 S 8/2015 Fan
 9,126,827 B2 9/2015 Hsieh
 D743,376 S 11/2015 Kim
 D743,939 S 11/2015 Seong
 9,226,088 B2 12/2015 Pandey
 D752,014 S * 3/2016 Bolmstrand D14/204
 D752,199 S * 3/2016 Berkman D23/370
 D754,103 S 4/2016 Fischer
 9,319,799 B2 4/2016 Salmon
 9,403,670 B2 8/2016 Schelling
 9,565,493 B2 2/2017 Abraham
 D784,299 S 4/2017 Cho
 D864,136 S 10/2019 Kim
 D864,923 S * 10/2019 Yang D14/230
 D865,723 S 11/2019 Cho
 D877,122 S * 3/2020 Klosowski D14/216
 D878,325 S * 3/2020 Paterson D14/203.1
 D879,737 S * 3/2020 Suzuki D14/149
 D883,256 S * 5/2020 Zeng D14/219
 D888,687 S * 6/2020 Xu D14/216
 D900,070 S 10/2020 Lantz
 D900,071 S 10/2020 Lantz
 D900,072 S 10/2020 Lantz
 D900,073 S 10/2020 Lantz
 D900,074 S 10/2020 Lantz
 D901,427 S * 11/2020 Zhang D14/149
 D901,431 S * 11/2020 Paterson D14/203.1
 D920,276 S * 5/2021 Law D14/149
 D920,944 S * 6/2021 Paterson D14/203.1
 D921,605 S * 6/2021 Feng D14/204
 D924,189 S 7/2021 Park
 D924,196 S * 7/2021 Wang D14/149

(56)

References Cited

U.S. PATENT DOCUMENTS

D927,448 S * 8/2021 Zhang D14/204
 D929,366 S * 8/2021 Mihara D14/215
 D932,463 S * 10/2021 Wu D14/204
 D934,191 S * 10/2021 Lv D14/149
 2002/0146282 A1 10/2002 Wilkes
 2002/0149070 A1 10/2002 Sheplak
 2003/0063762 A1 4/2003 Tajima
 2005/0286729 A1 12/2005 Harwood
 2006/0159293 A1 7/2006 Azima
 2006/0192976 A1 8/2006 Hall
 2006/0198541 A1 9/2006 Henry
 2006/0215866 A1 9/2006 Francisco
 2007/0120029 A1 5/2007 Keung
 2008/0044053 A1 * 2/2008 Belanger H04R 1/023
 381/391
 2009/0087001 A1 4/2009 Jiang
 2010/0011644 A1 1/2010 Kramer
 2010/0314513 A1 12/2010 Evans
 2011/0007921 A1 1/2011 Stewart
 2011/0311085 A1 12/2011 Stewart
 2011/0317861 A1 * 12/2011 Haase F21S 8/026
 381/333
 2012/0002835 A1 1/2012 Stewart
 2012/0080260 A1 4/2012 Stewart
 2012/0177219 A1 7/2012 Mullen
 2012/0294472 A1 11/2012 Hudson
 2013/0004013 A1 1/2013 Stewart
 2013/0015014 A1 1/2013 Stewart
 2013/0039504 A1 2/2013 Pandey
 2013/0094689 A1 4/2013 Tanaka
 2013/0101141 A1 4/2013 McElveen
 2013/0251181 A1 9/2013 Stewart
 2013/0264144 A1 10/2013 Hudson
 2013/0336516 A1 12/2013 Stewart
 2014/0072151 A1 3/2014 Ochs
 2014/0233777 A1 8/2014 Tseng
 2014/0264654 A1 9/2014 Salmon
 2014/0265774 A1 9/2014 Stewart
 2014/0270271 A1 9/2014 Dehe
 2014/0286518 A1 9/2014 Stewart
 2014/0301586 A1 10/2014 Stewart
 2014/0357177 A1 12/2014 Stewart
 2015/0070188 A1 3/2015 Aramburu
 2015/0078582 A1 3/2015 Graham
 2015/0118960 A1 4/2015 Petit
 2016/0031700 A1 2/2016 Sparks
 2018/0338205 A1 11/2018 Abraham
 2019/0075381 A1 * 3/2019 Katz H04R 1/026
 2019/0090047 A1 * 3/2019 Ivey H04R 1/227
 2019/0208297 A1 * 7/2019 Bech H04R 1/023
 2020/0186902 A1 * 6/2020 Brousseau H04R 1/025
 2020/0288237 A1 9/2020 Abraham

FOREIGN PATENT DOCUMENTS

CN 102833664 A 12/2012
 CN 104080289 A 10/2014
 CN 306391029 3/2021
 CN 306550450 * 5/2021
 CN 306603624 * 6/2021
 CN 306839641 * 9/2021
 CN 306941684 * 11/2021
 EM 0077546430001 3/2020
 EP 2721837 A1 4/2014
 EP 2778310 A1 9/2014
 WO 2010144148 A2 12/2010
 WO 2012174159 A1 12/2012
 WO D211683-001 * 11/2020
 WO D211683-002 * 11/2020

OTHER PUBLICATIONS

MXA910, announced © 2009-2021 [online], retrieved Nov. 30, 2021, retrieved from internet, <https://www.shure.com/en-US/products/microphones/mxa910>.*

JBL White & Black Apart Ceiling Speakers, announced © 1996-2021 [online], retrieved Nov. 30, 2021, retrieved from internet, <https://www.indiamart.com/proddetail/apart-ceiling-speakers-15163710088.html>.*

Best Conference Call Speaker in 2021—Top Models Review, announced Jan. 16, 2021 [online], retrieved Nov. 30, 2021, retrieved from internet, <https://www.leantravellerguide.com/2021/01/best-conference-call-speaker-in-2021/>.*

Ring in the holidays with these Bluetooth speakers on sale at Black Friday prices, announced Nov. 28, 2021 [online], retrieved Nov. 30, 2021, retrieved from internet, <https://mashable.com/deals/nov-28-bluetooth-speakers-on-sale>.*

Jabra Speak 410 Corded Speakerphon, announced Apr. 1, 2012 [online], retrieved Nov. 30, 2021, retrieved from internet, <https://www.amazon.com/Jabra-PHS001U-Speakerphone-Retail-Packaging/dp/B007SHJIO2>.*

Yealink Bluetooth Speakerphone Conference Microphone, announced Jan. 1, 2021 [online], retrieved Nov. 30, 2021, retrieved from internet, <https://www.amazon.com/Yealink-Speakerphone-Conference-Microphone-Microsoft-Teams-Certified/dp/B08RRP8PZ7>.*

Arnold, et al., “A directional acoustic array using silicon micromachined piezoresistive microphones,” *Journal of Acoustical Society of America*, 113 (1), pp. 289-298, Jan. 2003 (10 pp.).

Chou, “Frequency-Independent Beamformer with Low Response Error,” 1995 International Conference on Acoustics, Speech, and Signal Processing, pp. 2995-2998, May 9, 1995, 4 pp.

International Search Report and Written Opinion for PCT/US2016/029751 dated Nov. 28, 2016, 21 pp.

Office Action issued for Japanese Patent Application No. 2015-023781 dated Jun. 20, 2016.

* cited by examiner

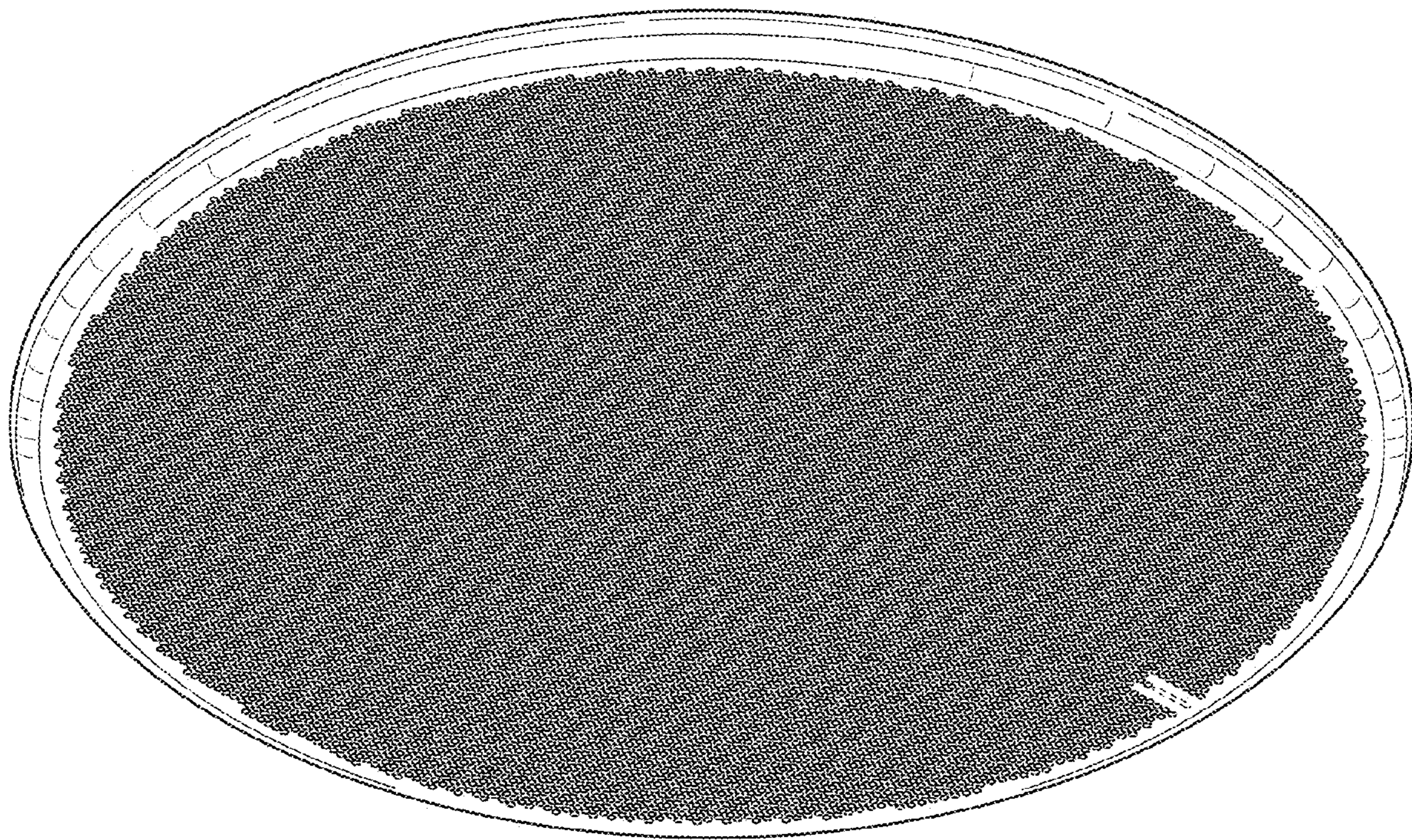


FIG. 1

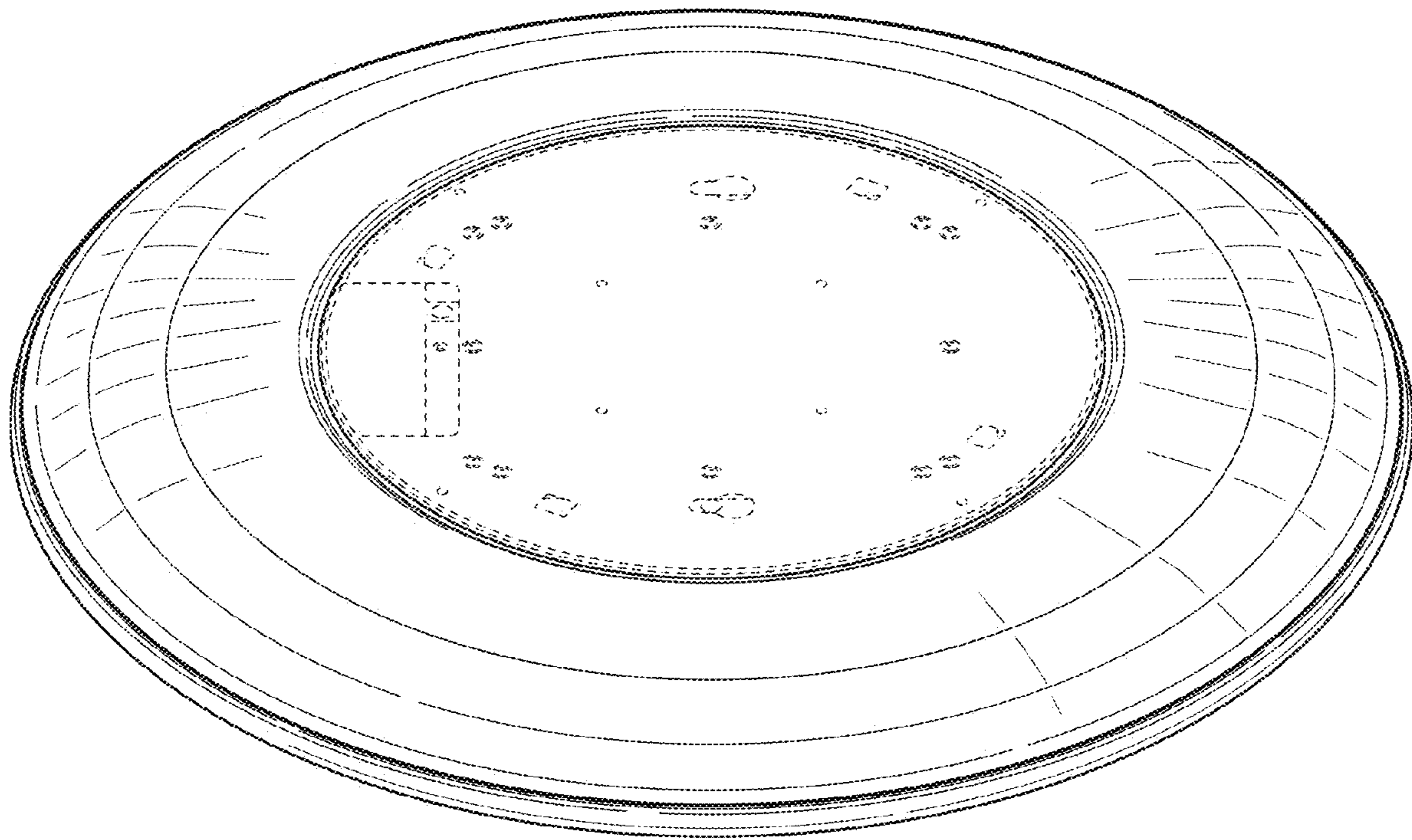


FIG. 2



FIG. 3

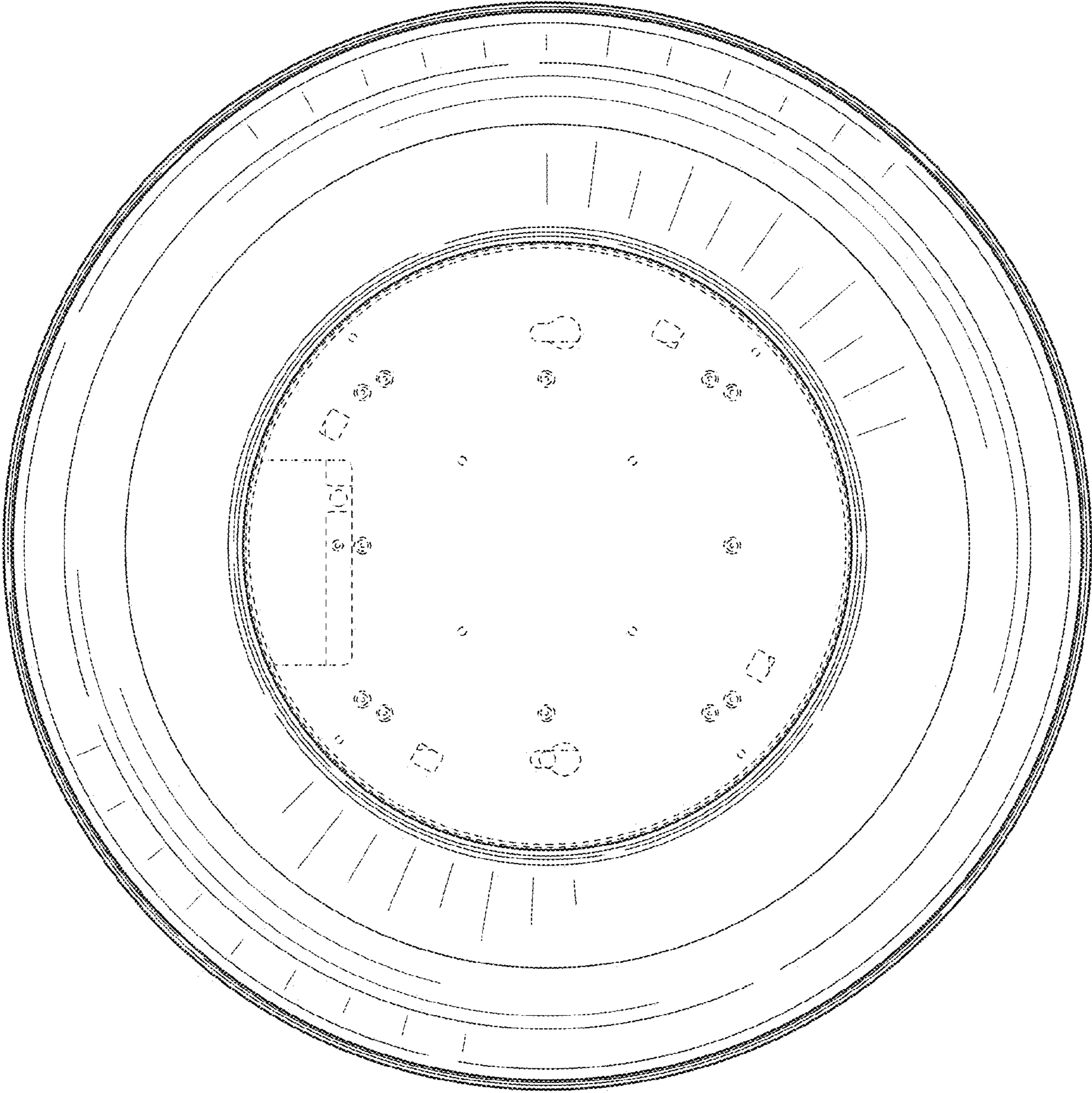


FIG. 4

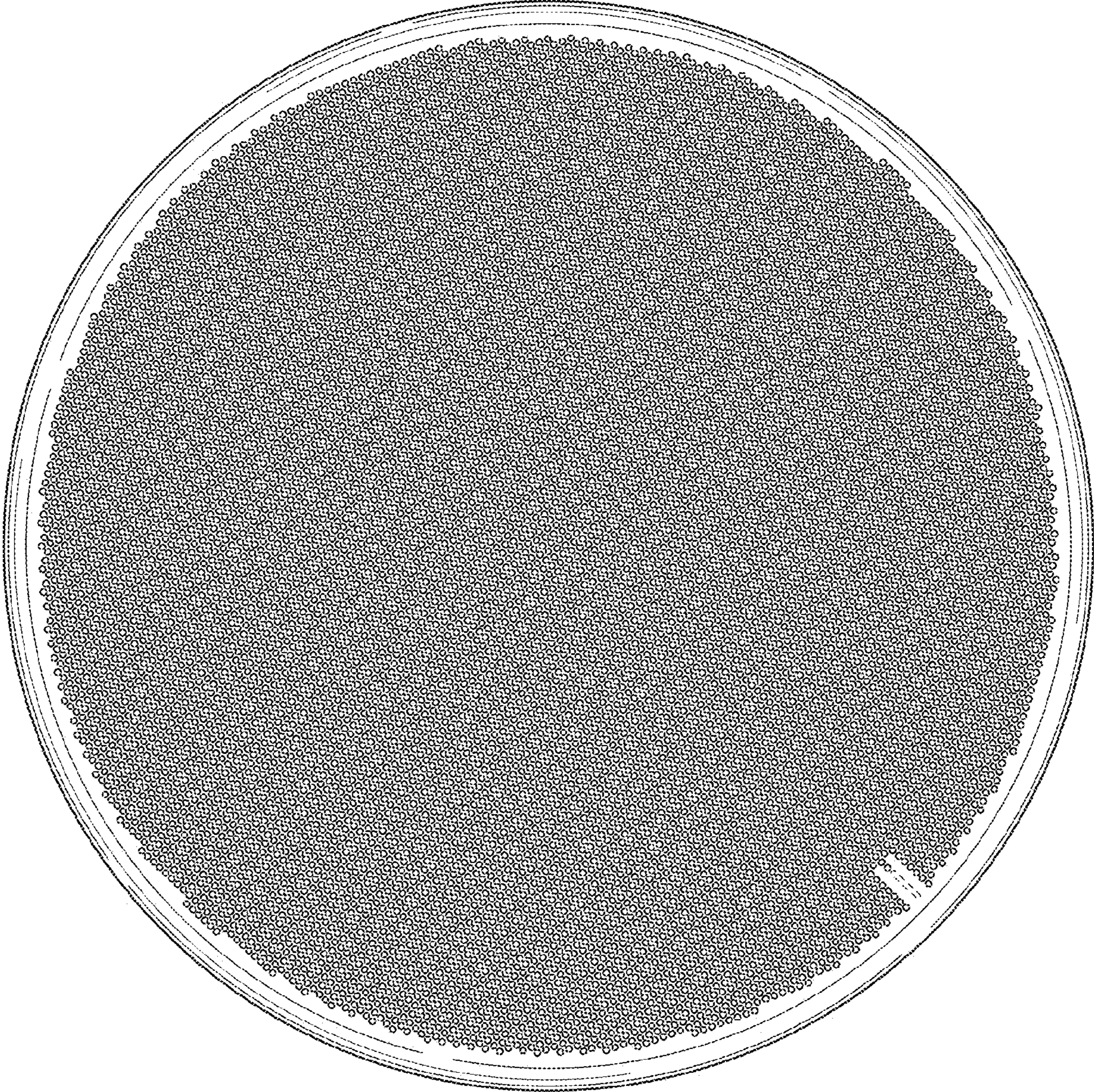


FIG. 5

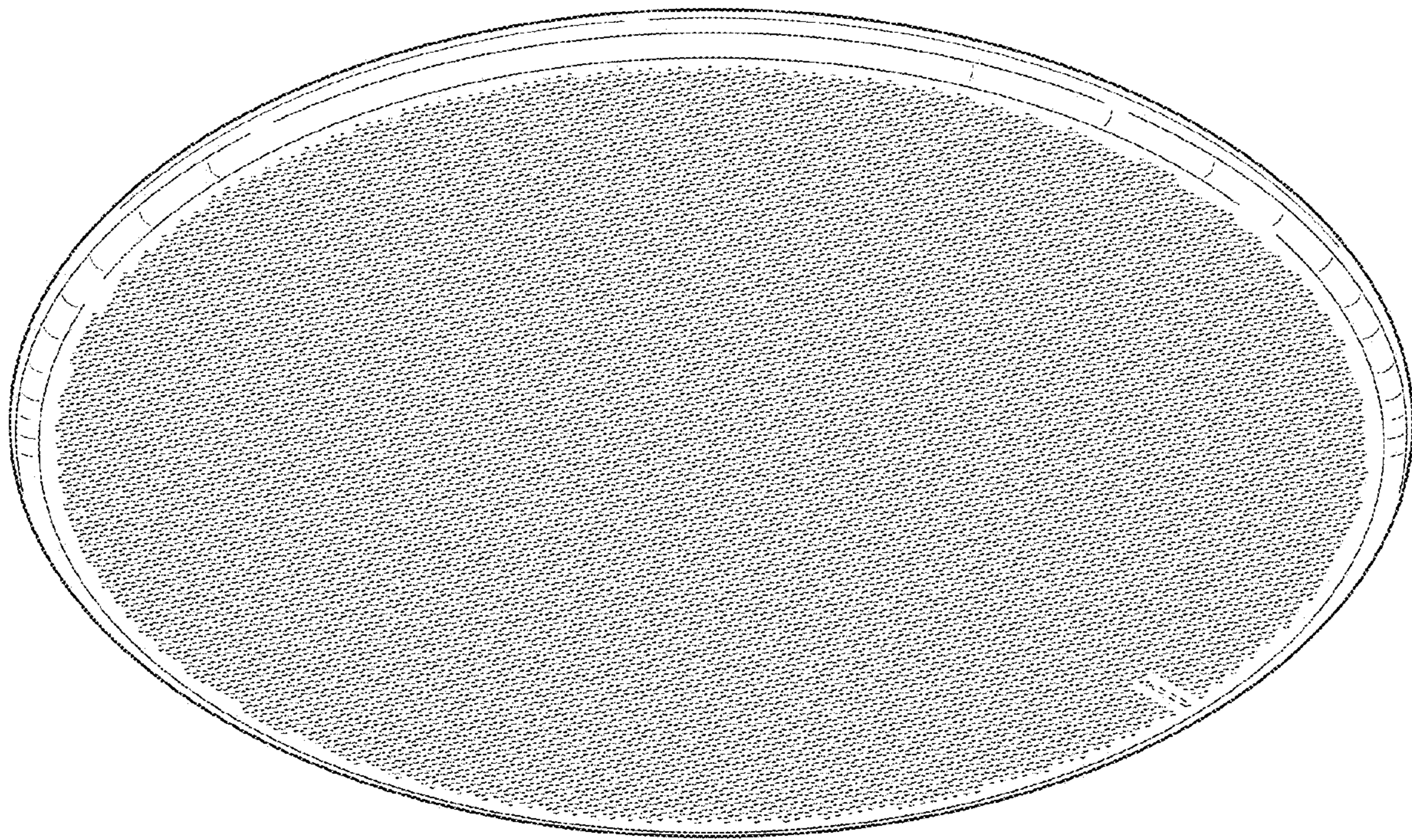


FIG. 6

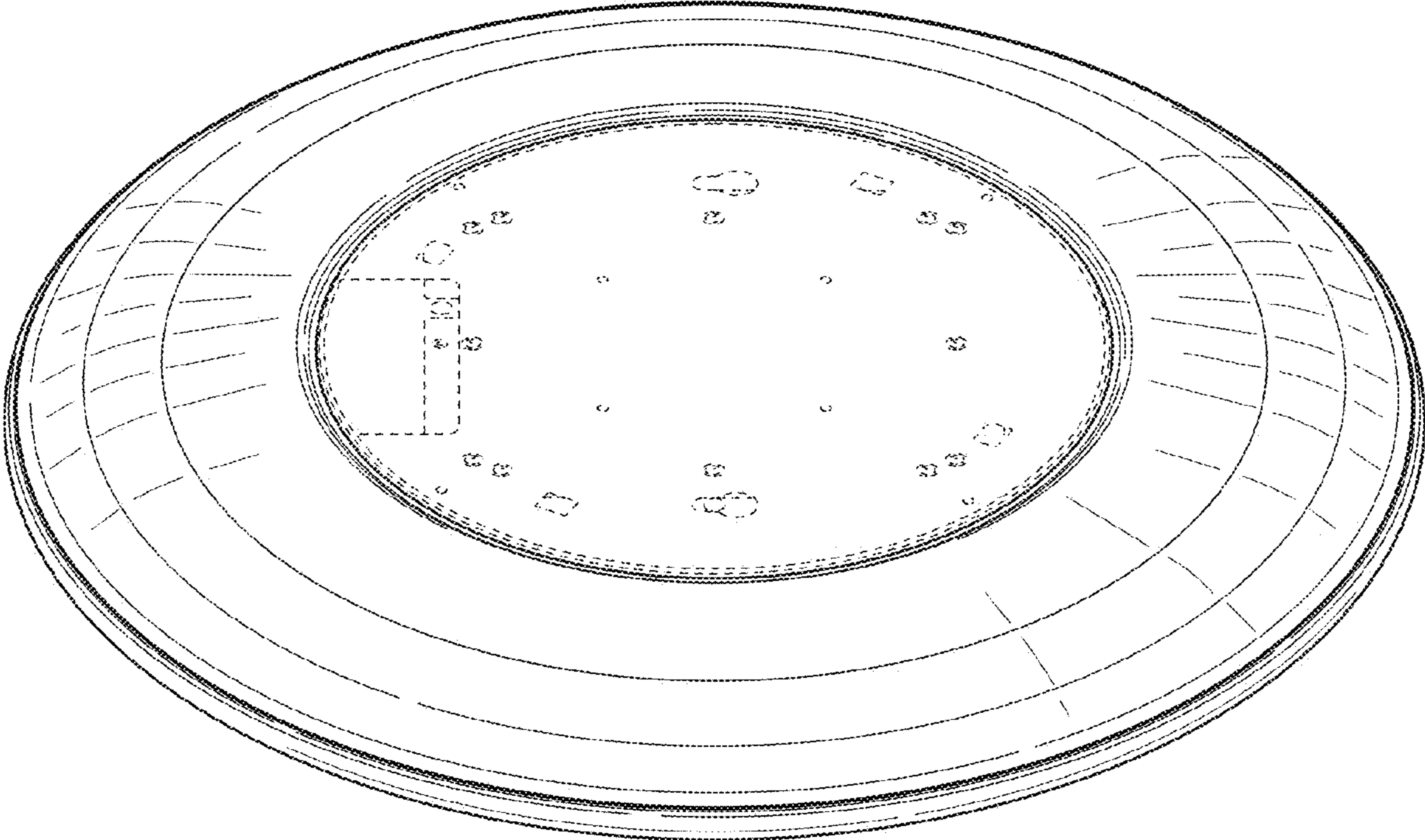


FIG. 7

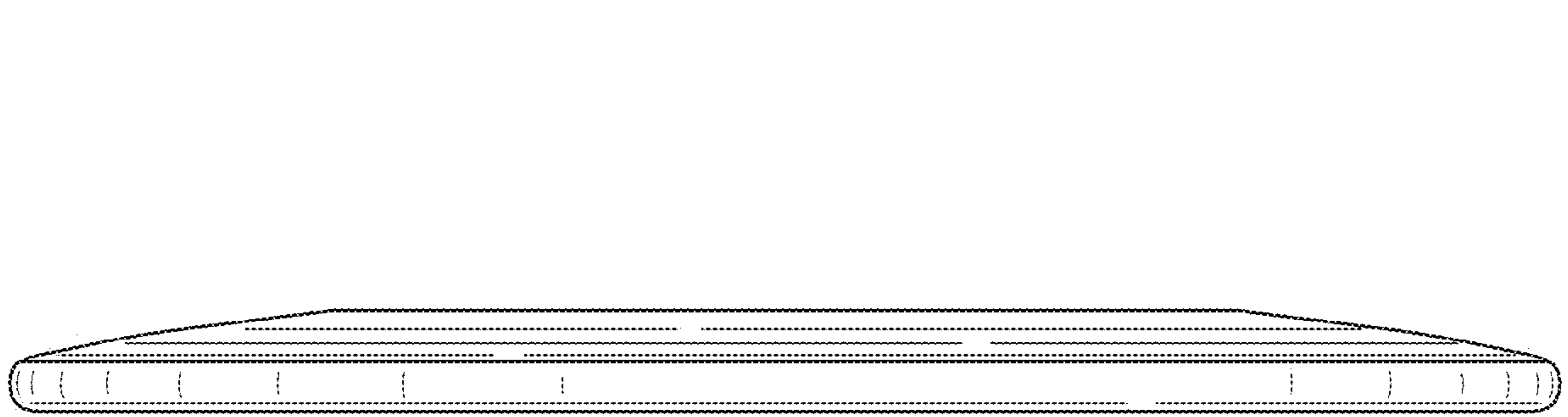


FIG. 8

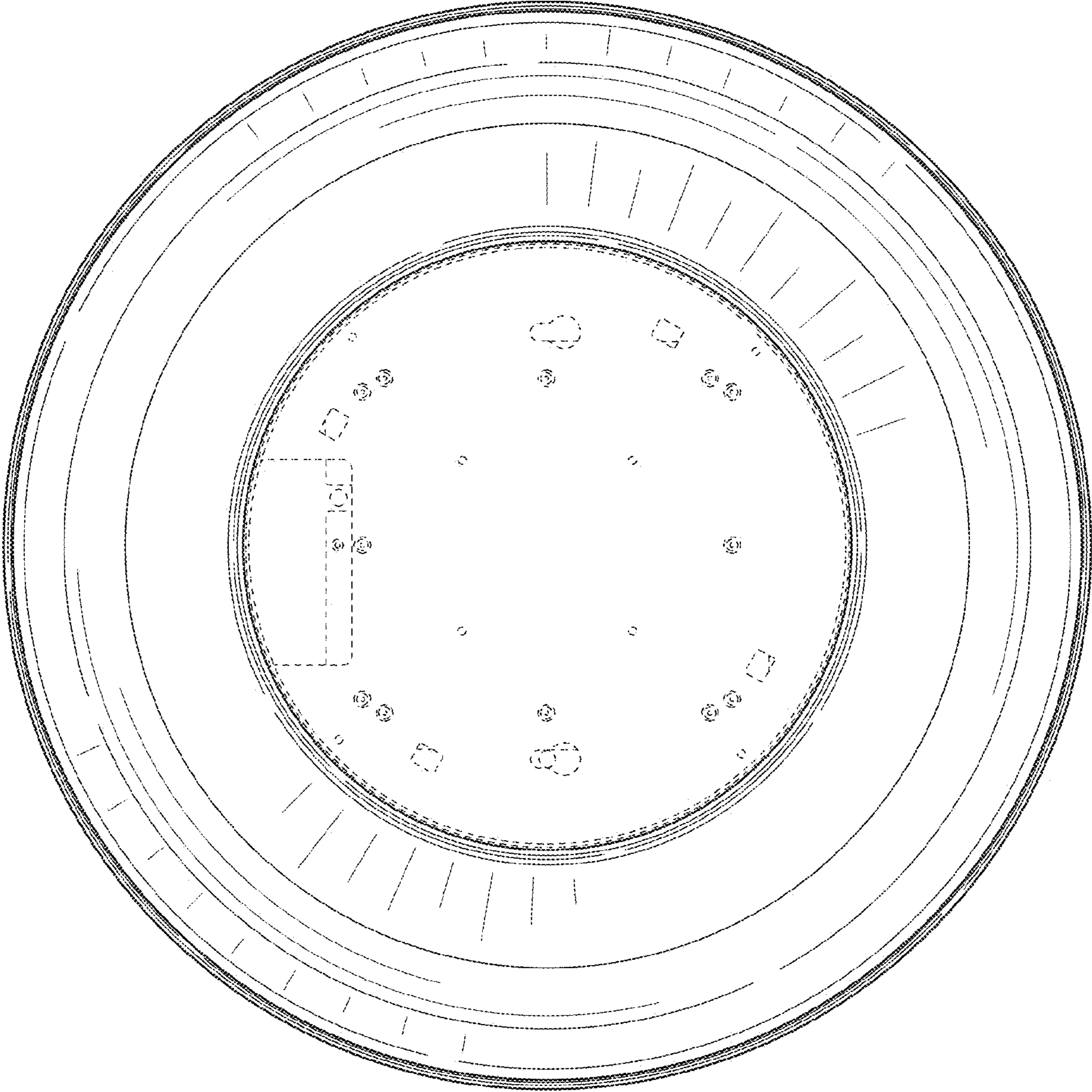


FIG. 9

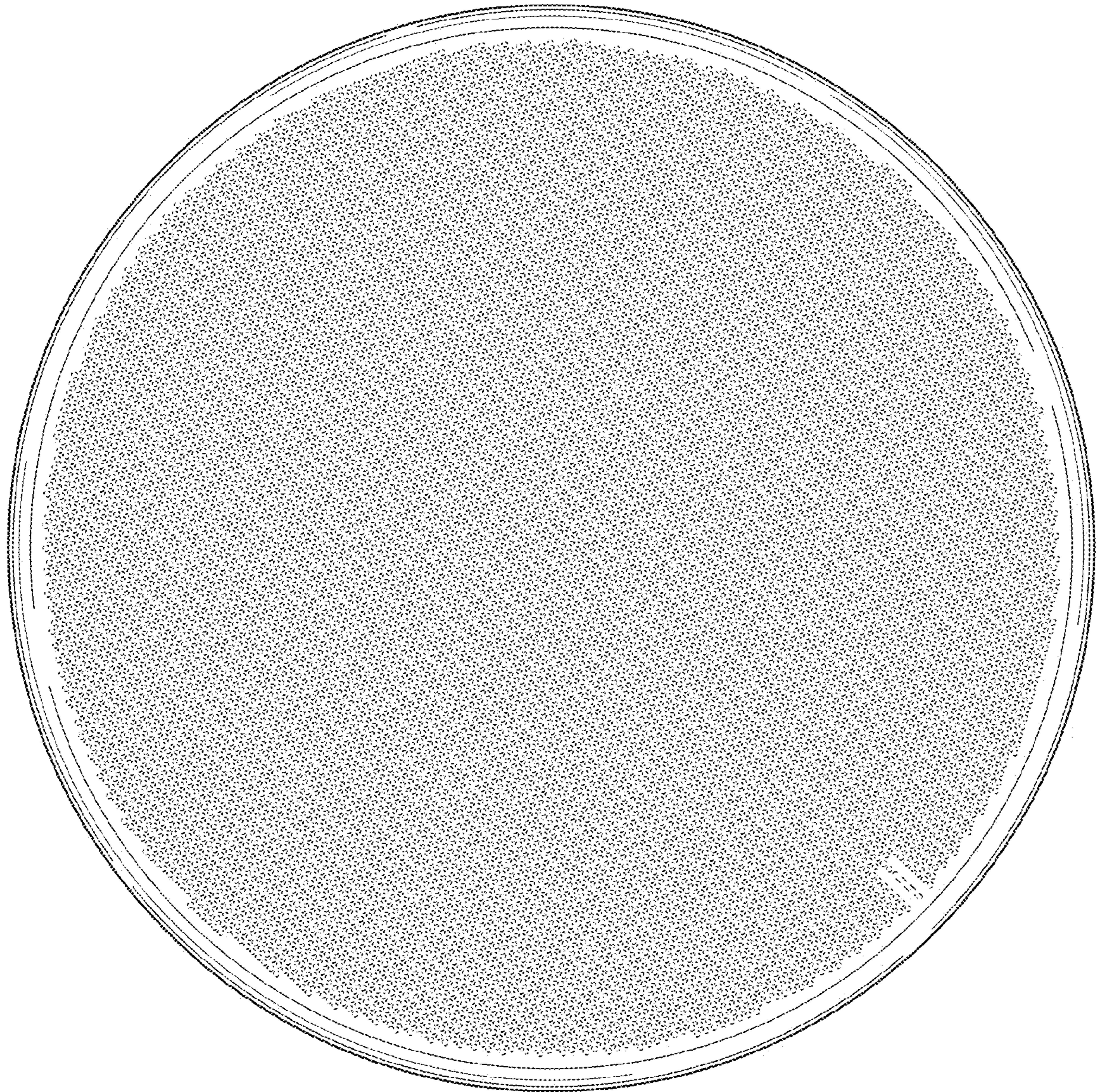


FIG. 10