



US00D943551S

(12) **United States Design Patent**
Chen

(10) **Patent No.:** **US D943,551 S**

(45) **Date of Patent:** **** Feb. 15, 2022**

(54) **DIAPHRAGM FOR LOUDSPEAKER**

(71) Applicant: **Tymphany Acoustic Technology (Huizhou) Co., Ltd.**, Huizhou (CN)

(72) Inventor: **ZhiWen Chen**, Huizhou (CN)

(73) Assignee: **TYMPHANY ACOUSTIC TECHNOLOGY (HUIZHOU) CO., LTD.**, Huizhou (CN)

(**) Term: **15 Years**

(21) Appl. No.: **29/711,354**

(22) Filed: **Oct. 30, 2019**

(30) **Foreign Application Priority Data**

May 23, 2019 (CN) 201930256493.9

(51) **LOC (13) Cl.** **14-01**

(52) **U.S. Cl.**
USPC **D14/222**

(58) **Field of Classification Search**
USPC D14/159, 218, 217, 219, 220, 221, 222, D14/223, 224, 224.1, 225, 227, 228, 229, D14/299, 204, 209, 185
CPC . H04R 1/00; H04R 1/02; H04R 1/323; H04R 1/326; H04R 1/403; H04R 1/406; H04R 1/222; H04R 1/023; H04R 7/00; H04R 7/20; H04R 27/00; H04R 2201/00; H04R 2400/00; H04R 17/02; H04R 29/004; H04R 29/005; H04R 19/00; H04R 2420/07; H04R 2410/00
See application file for complete search history.

(56) **References Cited**

U.S. PATENT DOCUMENTS

2,371,951 A * 3/1945 Cook H04R 7/122
381/186
2,807,385 A * 9/1957 Phelps A47J 41/02
222/570

2,857,461 A * 10/1958 Brodie H03F 1/36
381/96
3,366,748 A * 1/1968 Ashworth H04R 17/00
381/117
3,992,569 A * 11/1976 Hankins H02G 15/113
174/92

(Continued)

FOREIGN PATENT DOCUMENTS

CN 303439032 * 11/2015
JP 2003230191 A * 8/2003

(Continued)

OTHER PUBLICATIONS

Stainless Steel Wide Mouth Canning Funnel, announced © 2021 [online], retrieved Nov. 24, 2021, retrieved from internet, <https://www.homsted.com/stainless-steel-wide-mouth-canning-funnel.html>.*

(Continued)

Primary Examiner — Dana K Weiland
Assistant Examiner — Messina L Smith

(74) *Attorney, Agent, or Firm* — Muncy, Geissler, Olds & Lowe, PC

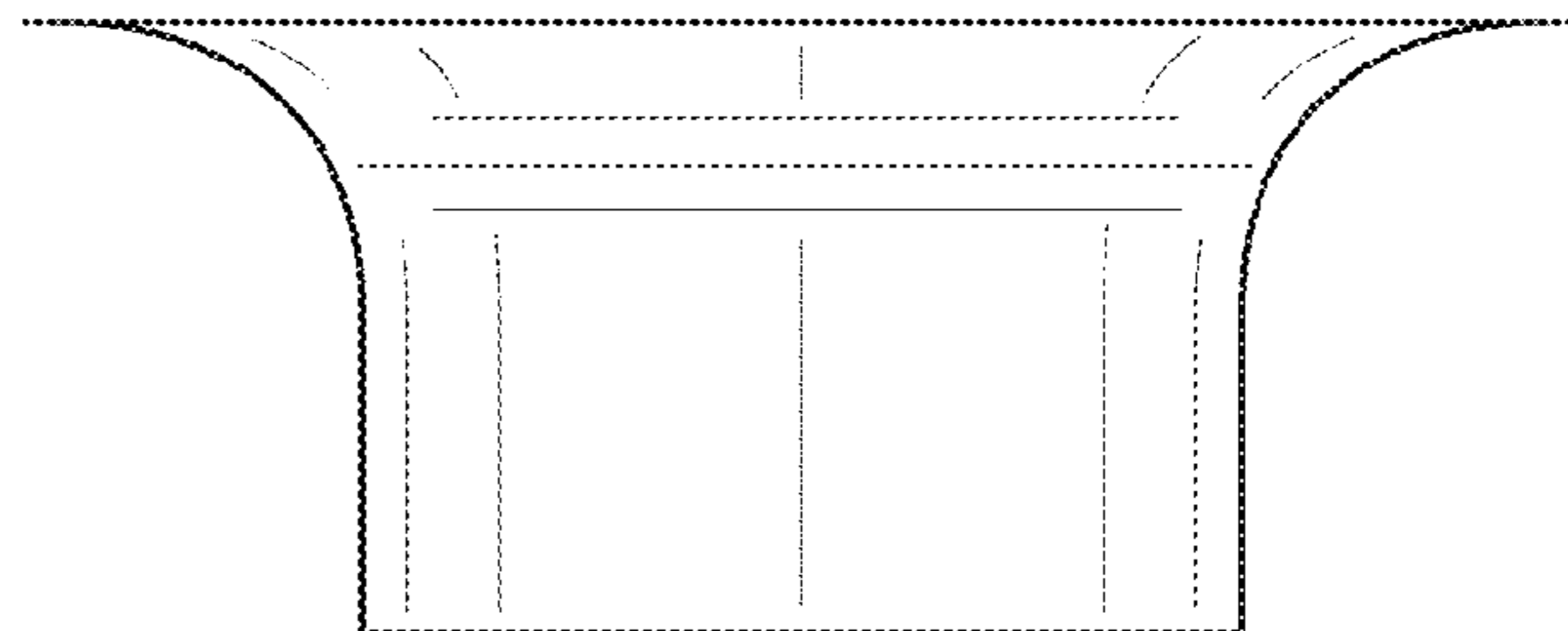
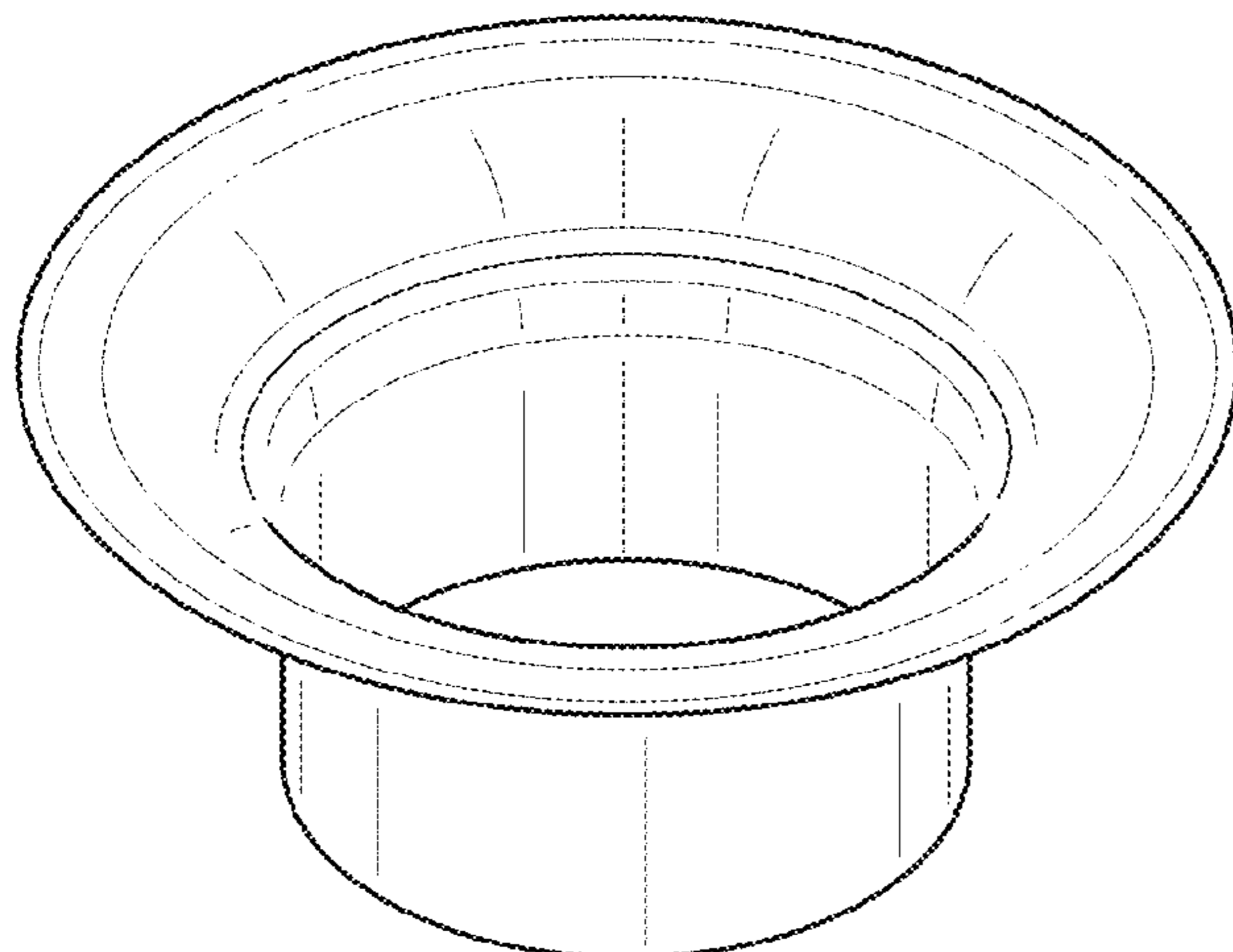
(57) **CLAIM**

The ornamental design for a diaphragm for loudspeaker, as shown and described.

DESCRIPTION

FIG. 1 is a top perspective view of a diaphragm for loudspeaker, showing my new design; FIG. 2 is a front elevational view thereof, the rear elevational view being a mirror image thereof; FIG. 3 is a left side elevational view thereof, the right side elevational view being a mirror image thereof; FIG. 4 is a top plan view thereof; and, FIG. 5 is a bottom plan view thereof.

1 Claim, 5 Drawing Sheets



(56)

References Cited

U.S. PATENT DOCUMENTS

4,076,098 A * 2/1978 Ward H04R 7/26
181/170
4,316,560 A * 2/1982 Carter B44D 3/128
220/700
D263,715 S * 4/1982 Walter D15/199
4,606,706 A * 8/1986 Utter F04B 39/123
285/136.1
4,635,750 A * 1/1987 Suzuki H04R 9/045
181/171
RE32,950 E * 6/1989 Graube G09B 23/02
248/94
D309,241 S * 7/1990 Ayyoubi D23/200
4,964,878 A * 10/1990 Morris H01M 4/82
29/623.1
5,908,292 A * 6/1999 Smith H01L 21/67109
432/197
D415,552 S * 10/1999 Malorni D23/200
D564,656 S * 3/2008 Matsutori D24/109
D617,315 S * 6/2010 Pantaleone D14/216
D629,269 S * 12/2010 Okamoto D7/700
D733,263 S * 6/2015 Fujii D23/262
D847,449 S * 4/2019 Viera D34/2
D863,193 S * 10/2019 Bidigare D12/400
D863,194 S * 10/2019 Bidigare D12/400
D863,195 S * 10/2019 Bidigare D12/400
D866,524 S * 11/2019 McElveen H04R 1/406
D14/217
D882,552 S * 4/2020 Chen D14/222
D883,045 S * 5/2020 Fudge D7/700
D913,262 S * 3/2021 Allen D14/204
D920,286 S * 5/2021 Jensen D14/216
D924,846 S * 7/2021 Brown D14/222
2006/0093181 A1 * 5/2006 Kasahara H04R 7/127
381/421
2006/0133639 A1 * 6/2006 Wu H04R 31/003
381/426
2007/0017736 A1 * 1/2007 Takebe H04R 7/127
181/167
2008/0006475 A1 * 1/2008 Imanishi H04R 7/12
181/167
2012/0263341 A1 * 10/2012 Stead H04R 7/02
381/430
2012/0269379 A1 * 10/2012 Gao H04R 7/122
381/398
2013/0269833 A1 * 10/2013 Eyre B67C 11/02
141/332
2016/0278520 A1 * 9/2016 Dawson B25H 3/04

2017/0305575 A1 * 10/2017 Bash B64F 1/32
2018/0324526 A1 * 11/2018 Itano H04R 7/12
2019/0166888 A1 * 6/2019 Xie A23L 3/361
2019/0194008 A1 * 6/2019 Kline B67C 11/02
2020/0130504 A1 * 4/2020 Roy B60K 15/04
2021/0136498 A1 * 5/2021 Nakashima H04R 7/12

FOREIGN PATENT DOCUMENTS

JP 2008061174 A * 3/2008
JP 2010245687 A * 10/2010
JP 2015043549 A * 3/2015
JP D1685526 * 4/2021
WO WO-9111618 A1 * 8/1991 F04D 13/16

OTHER PUBLICATIONS

Wide-Mouth Funnel, announced Oct. 9, 2018 [online], retrieved Nov. 24, 2021, retrieved from internet, <https://cults3d.com/en/3d-model/tool/wide-mouth-funnel-customizable>.
Big-sized Canning Funnel Wide Mouth Funnel Stainless Steel, announced May 13, 2017 [online], retrieved Nov. 24, 2021, retrieved from internet, <https://www.amazon.com/Big-sized-Canning-Funnel-Mouth-Stainless/dp/B071S4MC8X>.
Canning Funnel, announced Jul. 11, 2018 [online], retrieved Nov. 24, 2021, retrieved from internet, https://www.amazon.com/Canning-PopBabies-Silicone-Flexible-Smoothies/dp/B088BKCYCL5/ref=as_li_ss_tl?ie=UTF8&linkCode=s11&tag=hunnyimhomed-20&linkId=2696bcadf4462b0030a6e78087b0b50b&language=en_US.
Big Plastic Food & Beverage Funnel Cup, announced Nov. 2, 2020 [online], retrieved Nov. 24, 2021, retrieved from internet, <https://shopee.sg/Big-Plastic-Food-Beverage-Funnel-Cup-%28Corong%29-Wide-Mouth-Funnel-i.208700580.6711590673>.
Speaker Reconing, announced Jul. 3, 2003 [online], retrieved Nov. 24, 2021, retrieved from internet, <http://www.colomar.com/Shavano/recone.html>.
How Speakers Work, announced Nov. 3, 2020 [online], retrieved Nov. 24, 2021, retrieved from internet, <https://www.audioreputation.com/how-speakers-work/>.
New High-Performance Cone and Diaphragm Technology, announced Apr. 25, 2019 [online], retrieved Nov. 24, 2021, retrieved from internet, <https://audioxpress.com/article/new-high-performance-cone-and-diaphragm-technology>.
MONACOR SP-30/200PA, no announcement date [online], retrieved Nov. 24, 2021, retrieved from internet, <http://www.loudspeakerdatabase.com/MONACOR/SP-30-200PA>.

* cited by examiner

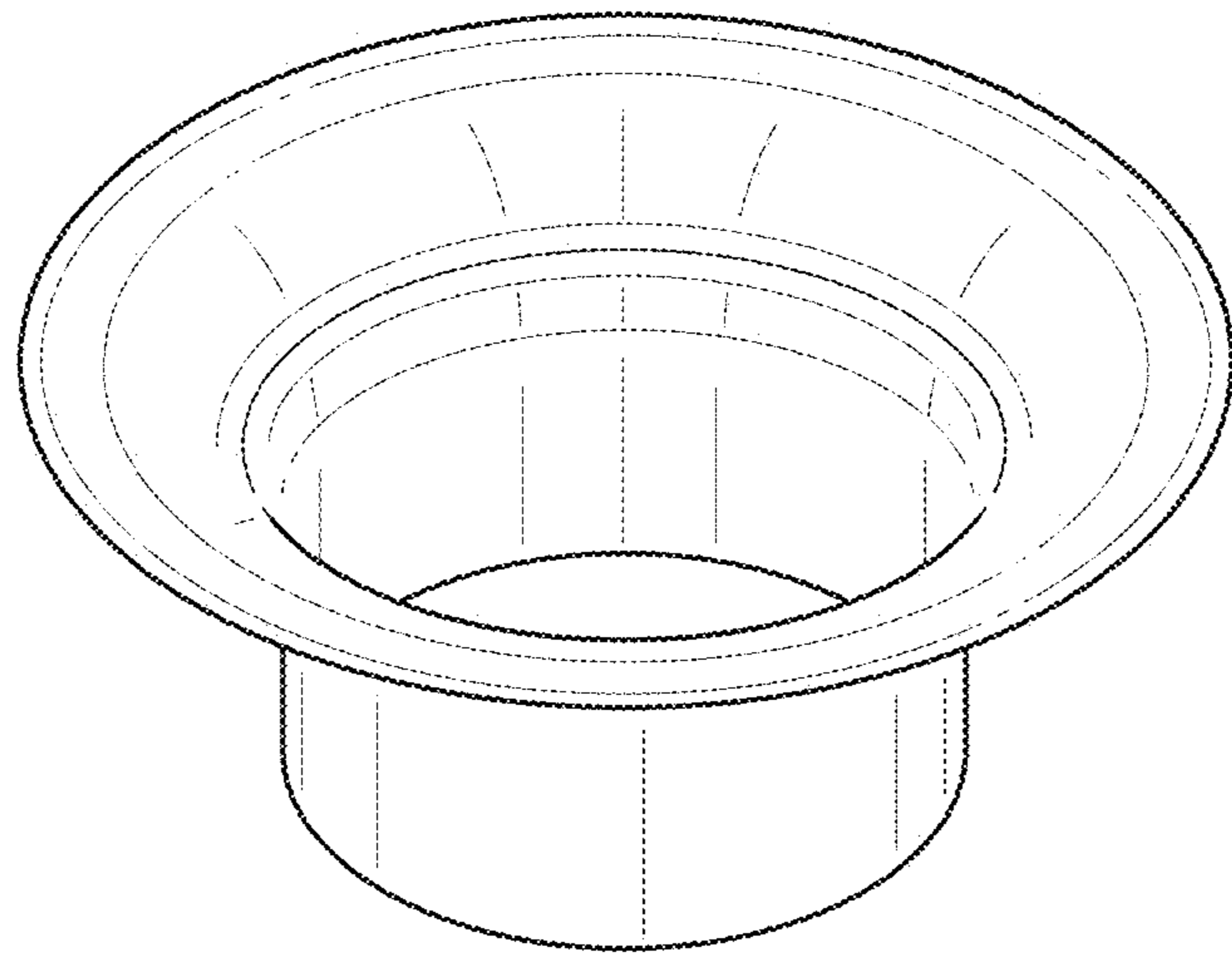


FIG. 1

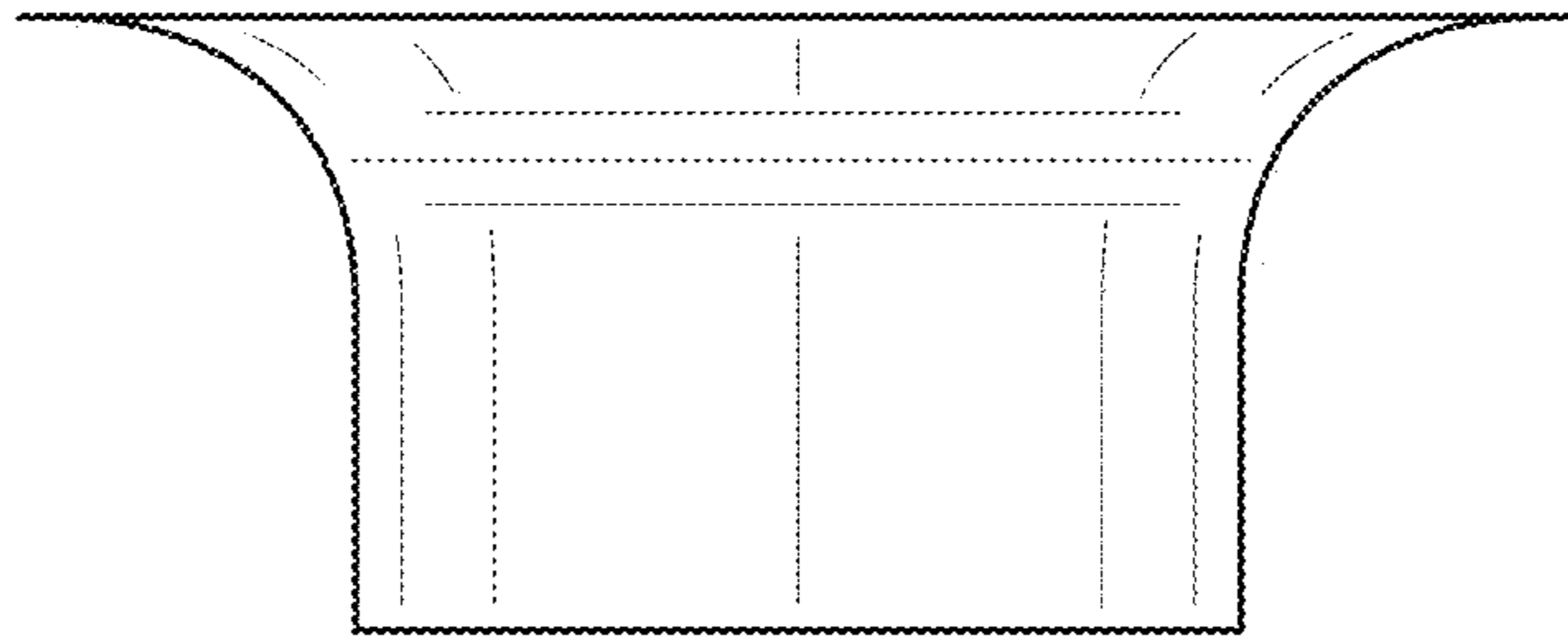


FIG. 2

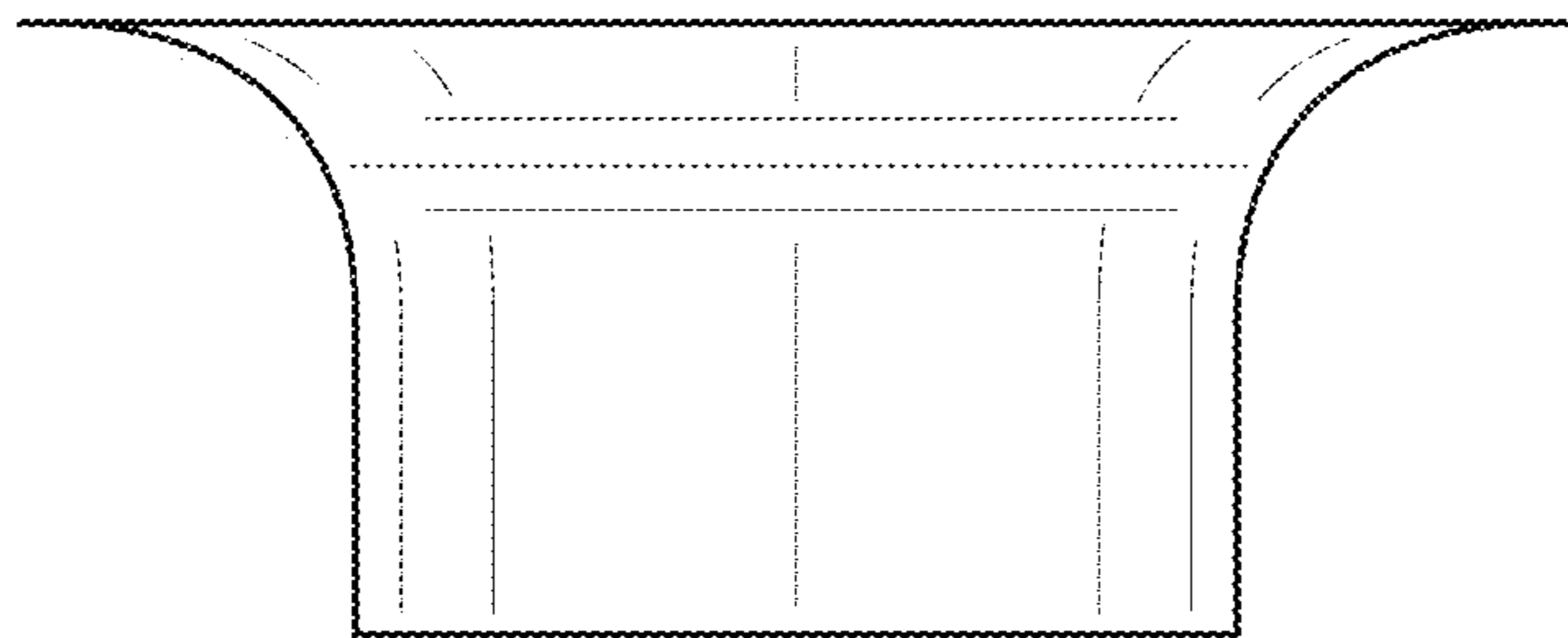


FIG. 3

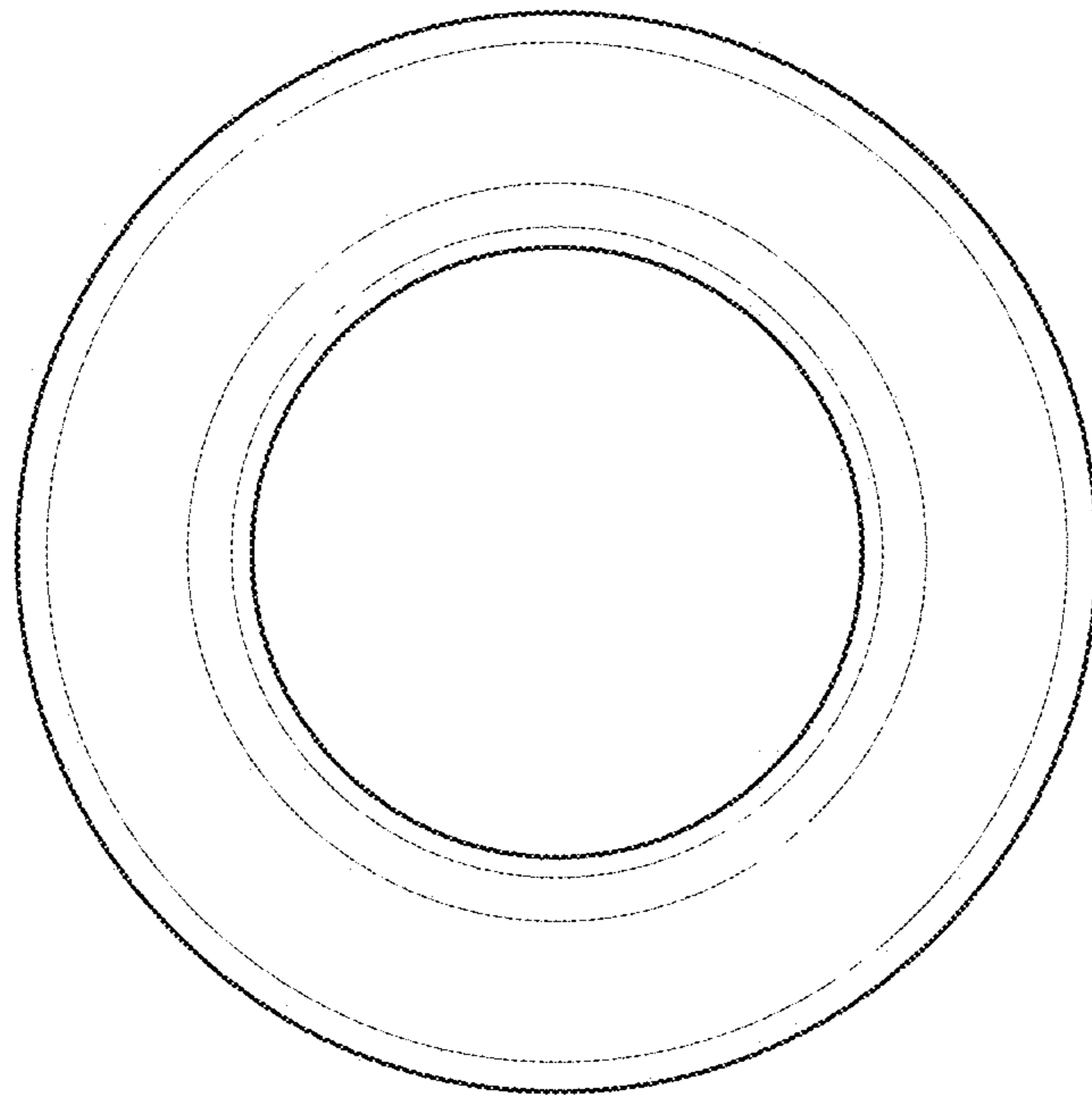


FIG. 4

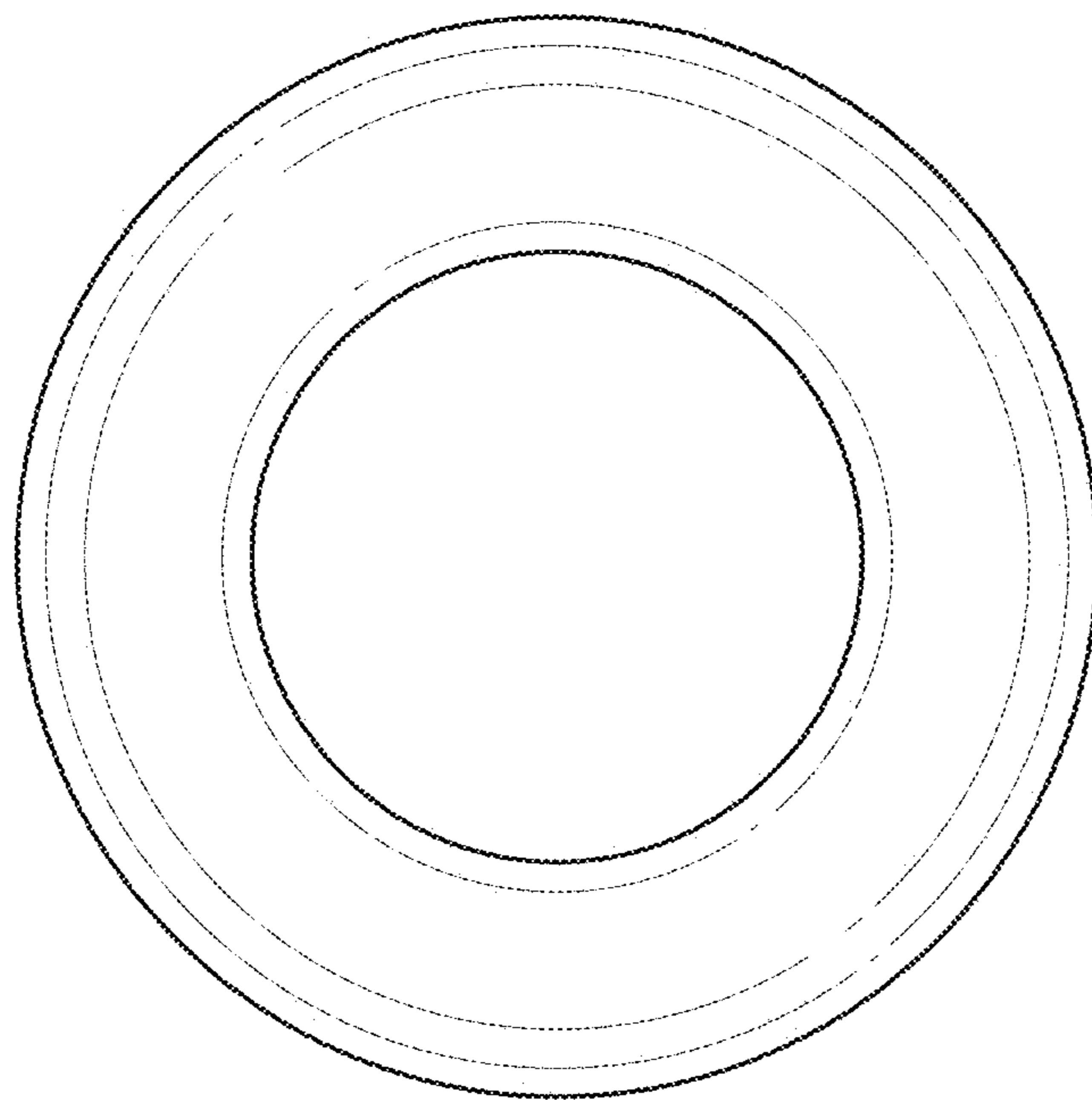


FIG. 5